



US00D538580S

(12) **United States Design Patent**  
**Loving**

(10) **Patent No.:** **US D538,580 S**

(45) **Date of Patent:** **\*\* Mar. 20, 2007**

(54) **BARBECUE GRILL**

(76) Inventor: **Christopher B. Loving**, 115 Bonami Ct., Fairburn, GA (US) 30213

(\*\*) Term: **14 Years**

(21) Appl. No.: **29/222,659**

(22) Filed: **Feb. 3, 2005**

(51) **LOC (8) Cl.** ..... **07-02**

(52) **U.S. Cl.** ..... **D7/332**

(58) **Field of Classification Search** ..... D7/332,  
D7/334-337, 402-405; 126/25 R, 25 A,  
126/25 AA, 25 B, 29-30, 41 R, 38, 37 R,  
126/9 R, 40, 50, 304 R, 305, 276; 99/419,  
99/421 R, 444, 450; 312/140.1, 140.3, 236;  
248/129; 108/44, 519

See application file for complete search history.

(56) **References Cited**

**U.S. PATENT DOCUMENTS**

D395,982 S	*	7/1998	Dunn et al.	.....	D7/402
D429,944 S	*	8/2000	Alle	.....	D7/332
D436,284 S	*	1/2001	Mak	.....	D7/332
D442,818 S	*	5/2001	Cragg	.....	D7/334
D485,115 S	*	1/2004	Barrett	.....	D7/332

D497,076 S \* 10/2004 Sutcliff et al. .... D7/332

\* cited by examiner

*Primary Examiner*—Ruth McInroy

(74) *Attorney, Agent, or Firm*—Jerome J. Norris

(57) **CLAIM**

The ornamental design for barbecue grill, as shown and described.

**DESCRIPTION**

FIG. 1 is a perspective view of a barbecue grill showing my new design;

FIG. 2 is a perspective view thereof with grill top open and hub cap-like shelves unfolded;

FIG. 3 is a back view thereof;

FIG. 4 is a left side view thereof with grill top and hub cap-like shelves closed;

FIG. 5 is a right side view thereof with grill top and hub cap-like shelves open;

FIG. 6 is a perspective view in tow behind a vehicle, with the grill top and hub cap-like shelves open, wherein the phantom lines form no part of the design; and,

FIG. 7 is a perspective view thereof, with the grill top closed and hub cap-like shelves open, the support shown in phantom lines forms no part of the design.

**1 Claim, 3 Drawing Sheets**

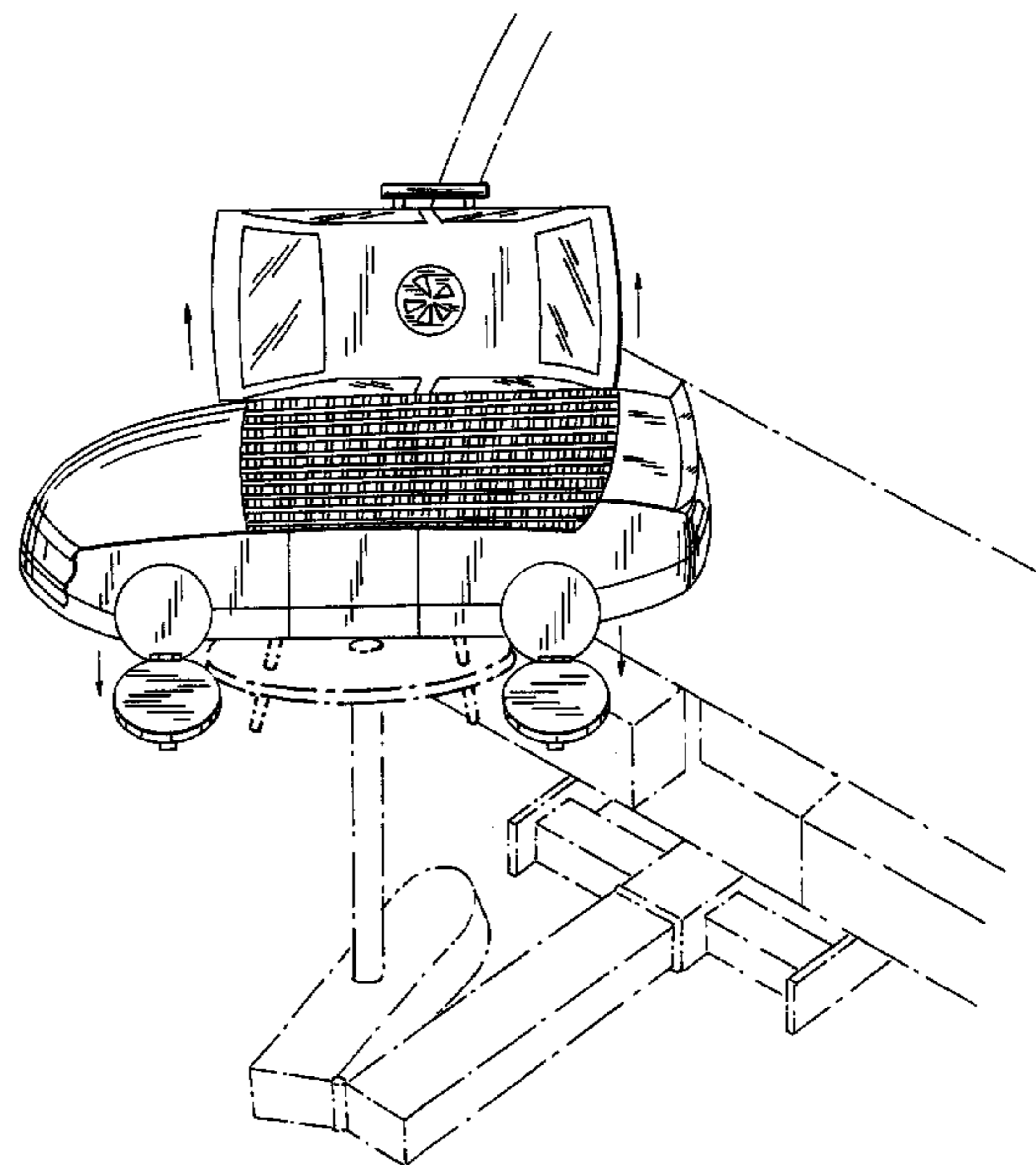
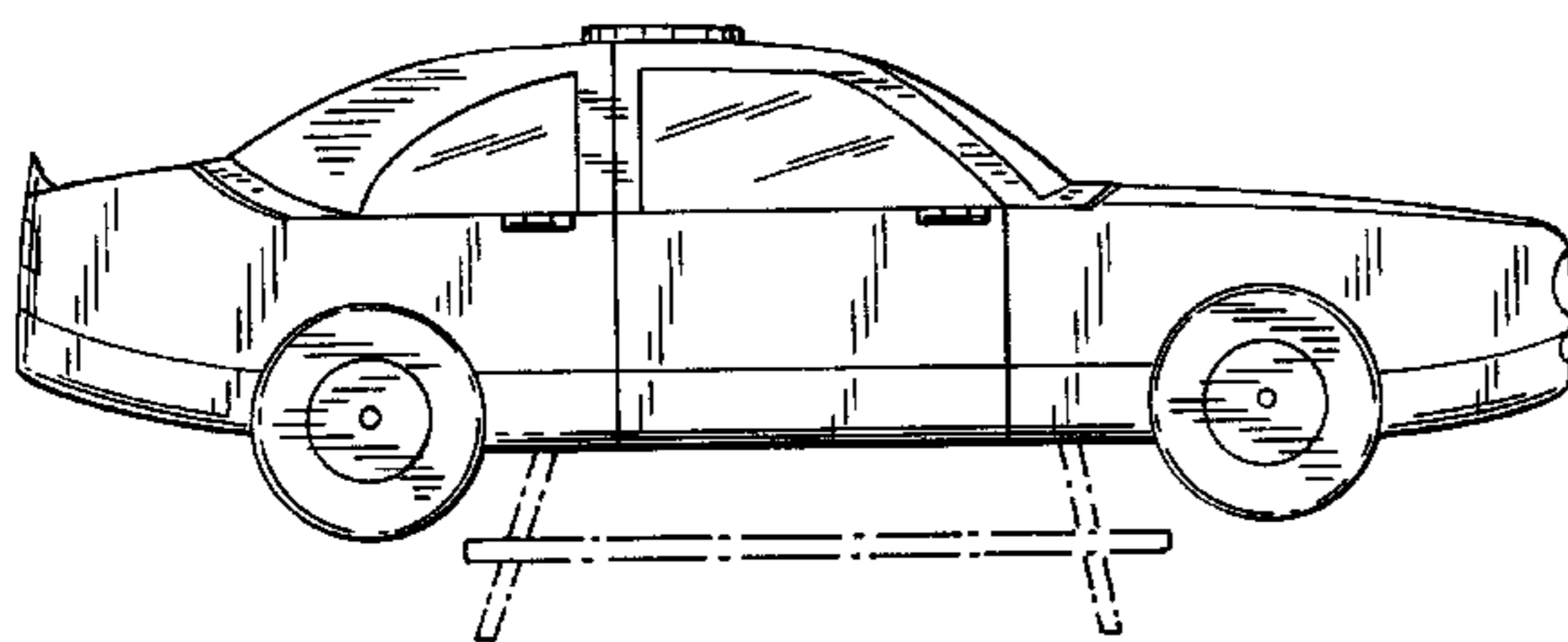
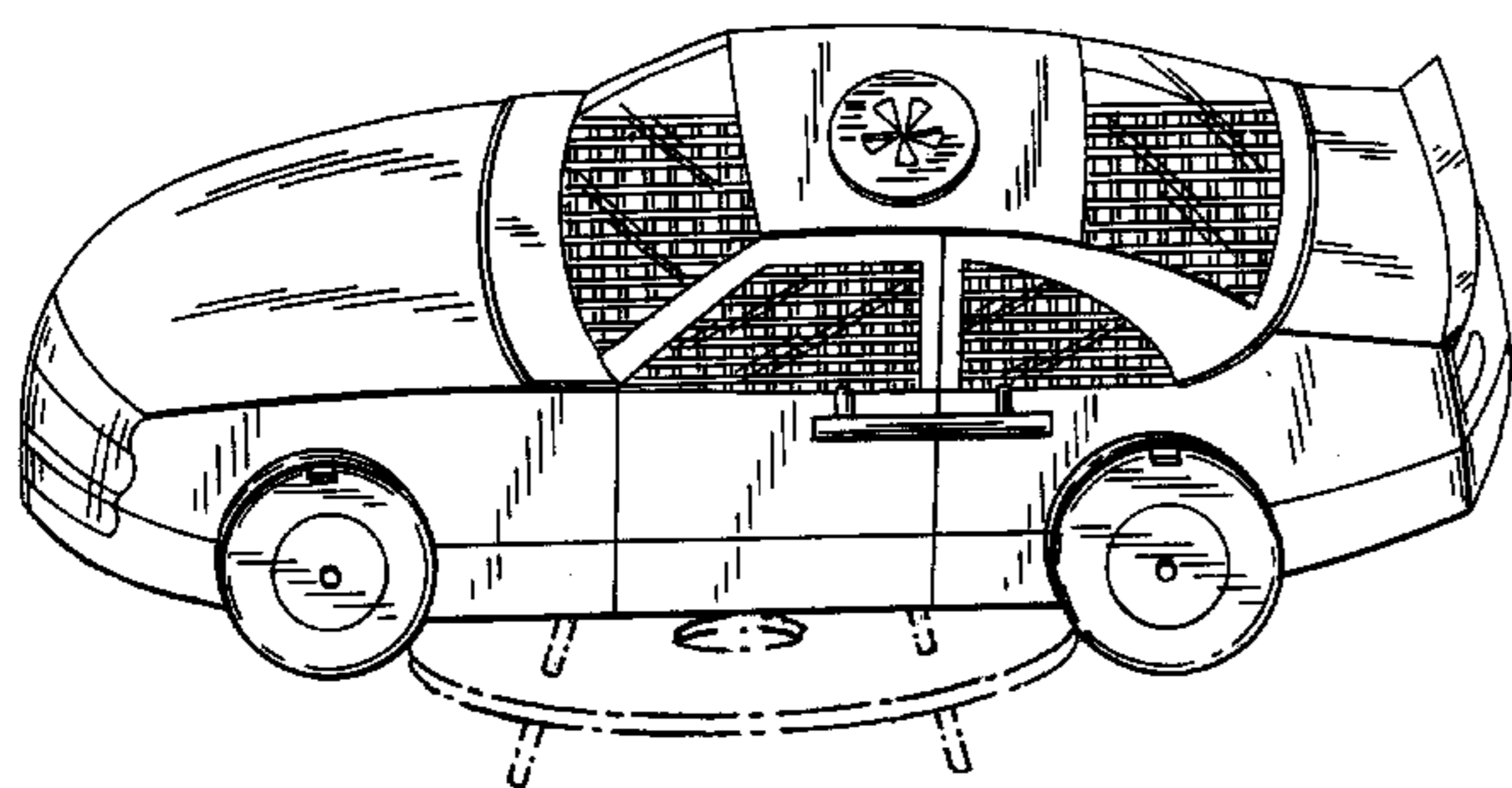


FIG. 1

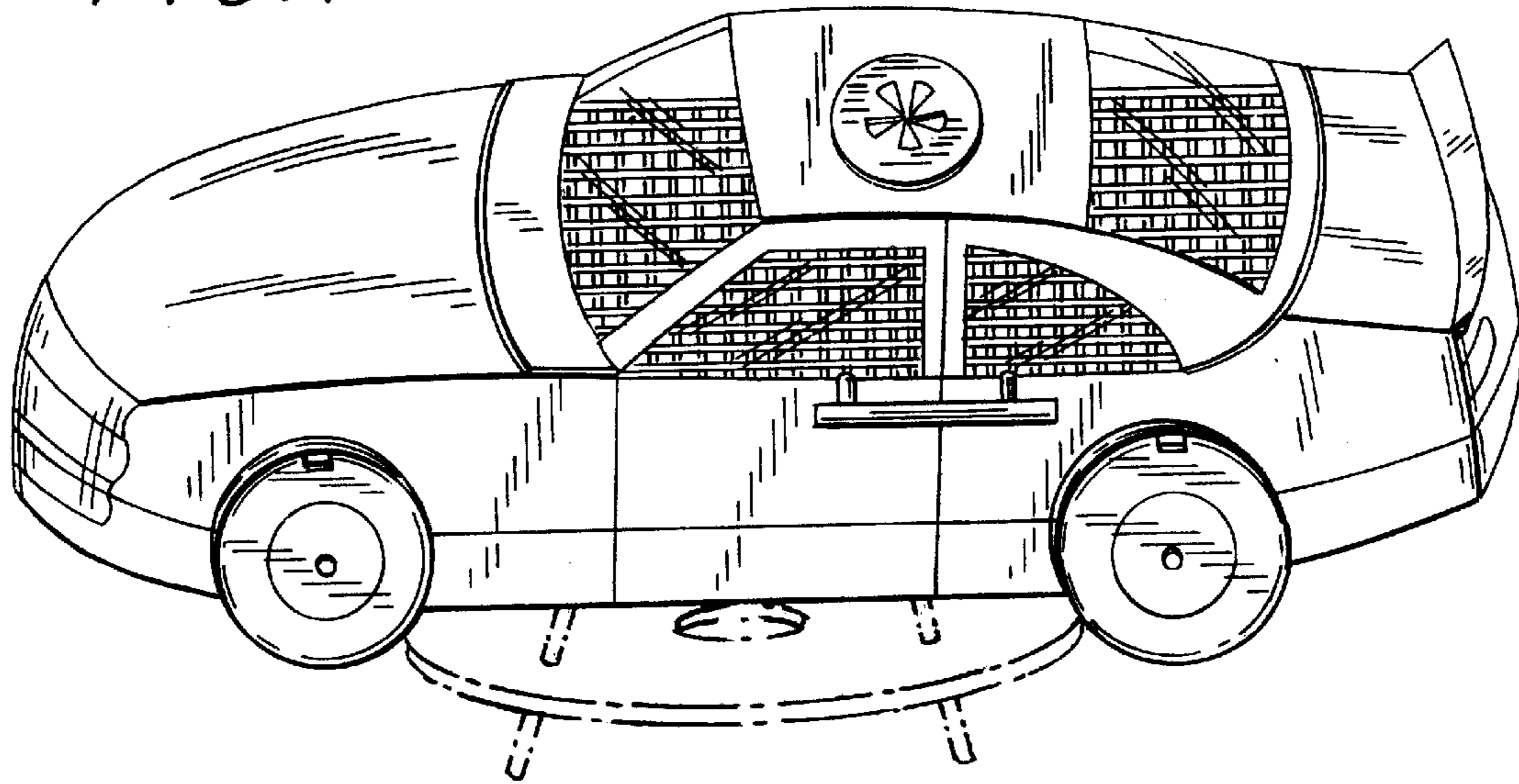


FIG. 2

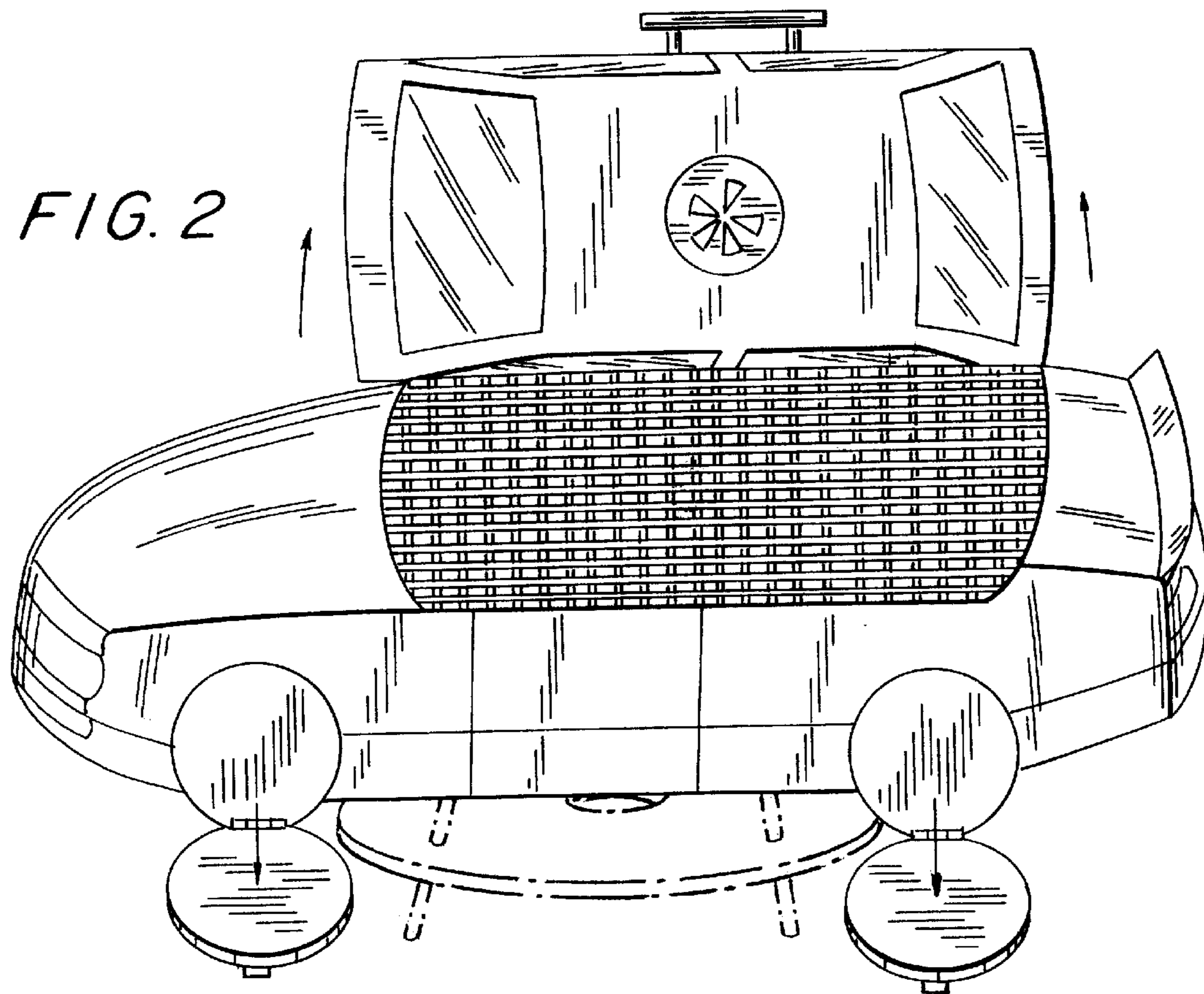


FIG. 3

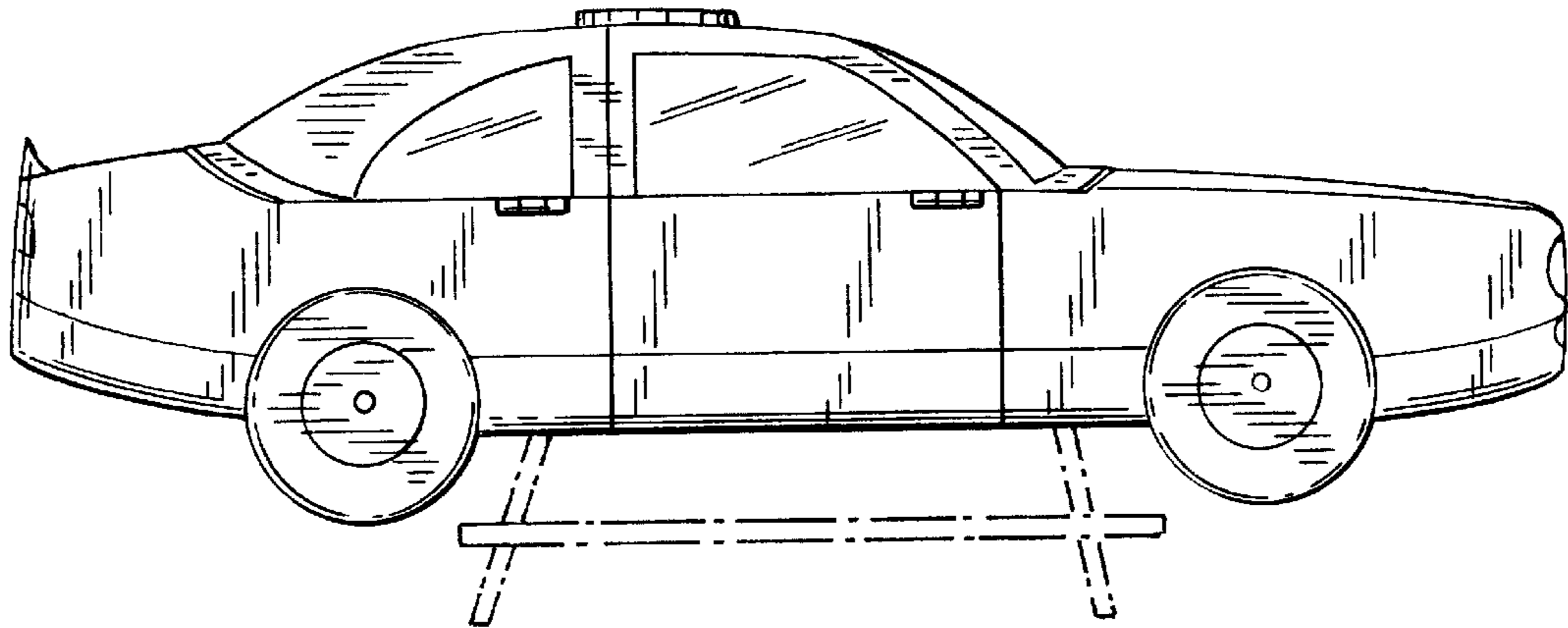


FIG. 4

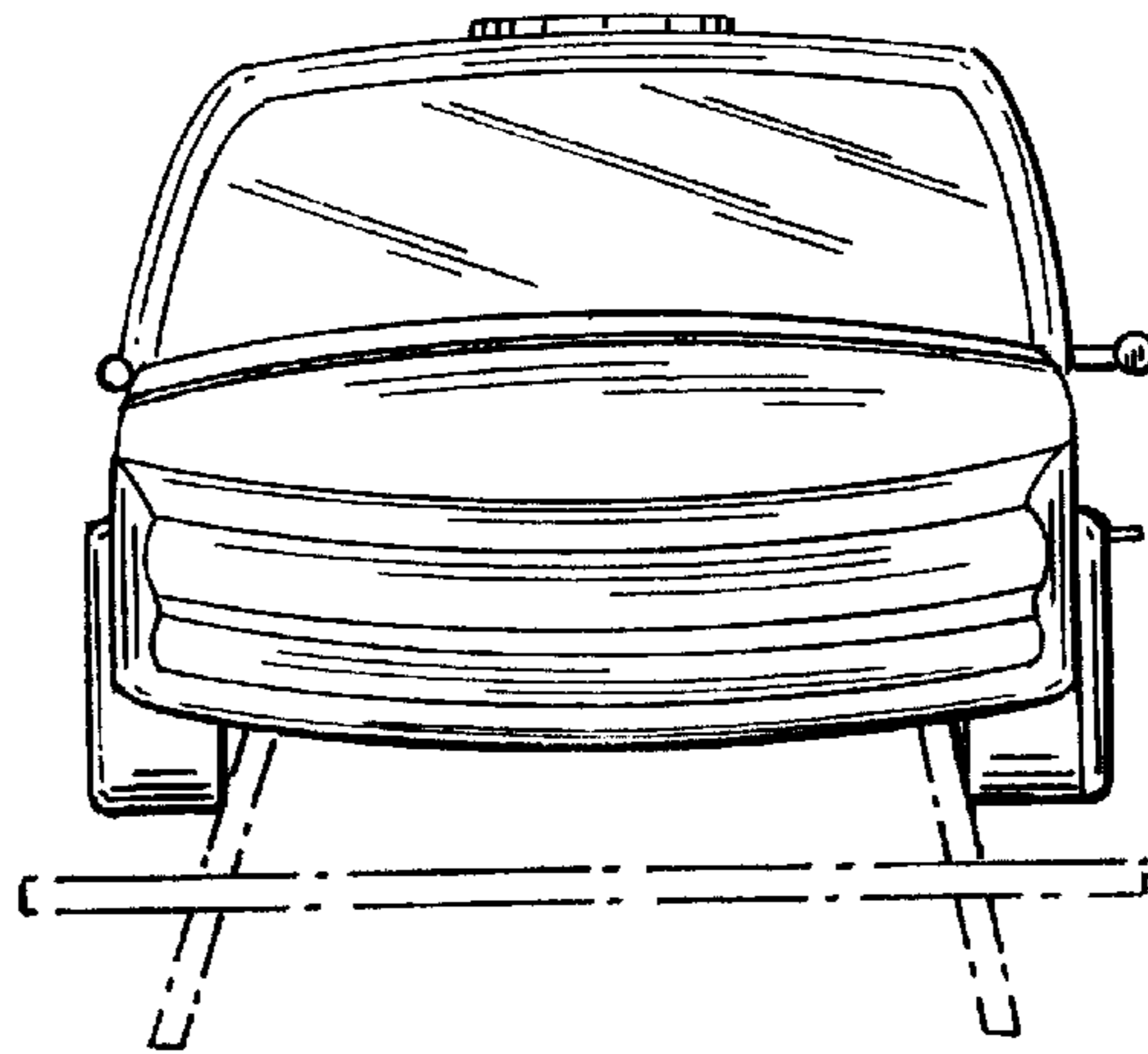


FIG. 5

