

US00D538579S

(12) **United States Design Patent**  
**Ranzoni**

(10) **Patent No.:** **US D538,579 S**

(45) **Date of Patent:** **\*\* Mar. 20, 2007**

- (54) **APPARATUS FOR PREPARING A BEVERAGE**
- (75) Inventor: **Francesco Ranzoni**, Coccaglio (IT)
- (73) Assignee: **Bialetti Industrie S.p.A.**, Brescia (IT)
- (\*\*) Term: **14 Years**
- (21) Appl. No.: **29/219,868**
- (22) Filed: **Dec. 23, 2004**
- (30) **Foreign Application Priority Data**  
Jun. 24, 2004 (IT) ..... MI2004O000160
- (51) **LOC (8) Cl.** ..... **07-01**
- (52) **U.S. Cl.** ..... **D7/318; D7/317**
- (58) **Field of Classification Search** ..... D7/317,  
D7/316, 318, 319, 300; 99/303, 306, 293,  
99/279; 81/3.09  
See application file for complete search history.

4,038,914 A	*	8/1977	Crespo et al.	.....	99/279
4,098,176 A	*	7/1978	Perez	.....	99/303
4,491,040 A	*	1/1985	Corona	.....	81/3.09
4,557,187 A	*	12/1985	DePonti	.....	99/279
D399,384 S	*	10/1998	Ranzoni	.....	D7/318
5,894,785 A	*	4/1999	Molinari	.....	99/303
D434,600 S	*	12/2000	Garcia et al.	.....	D7/397
D484,356 S	*	12/2003	Bodum	.....	D7/318
D504,046 S	*	4/2005	Fuentes	.....	D7/318

\* cited by examiner

*Primary Examiner*—M. N. Pandozzi

(74) *Attorney, Agent, or Firm*—Hogan & Hartson LLP

(57) **CLAIM**

The ornamental design of an apparatus for preparing a beverage, as shown and described.

**DESCRIPTION**

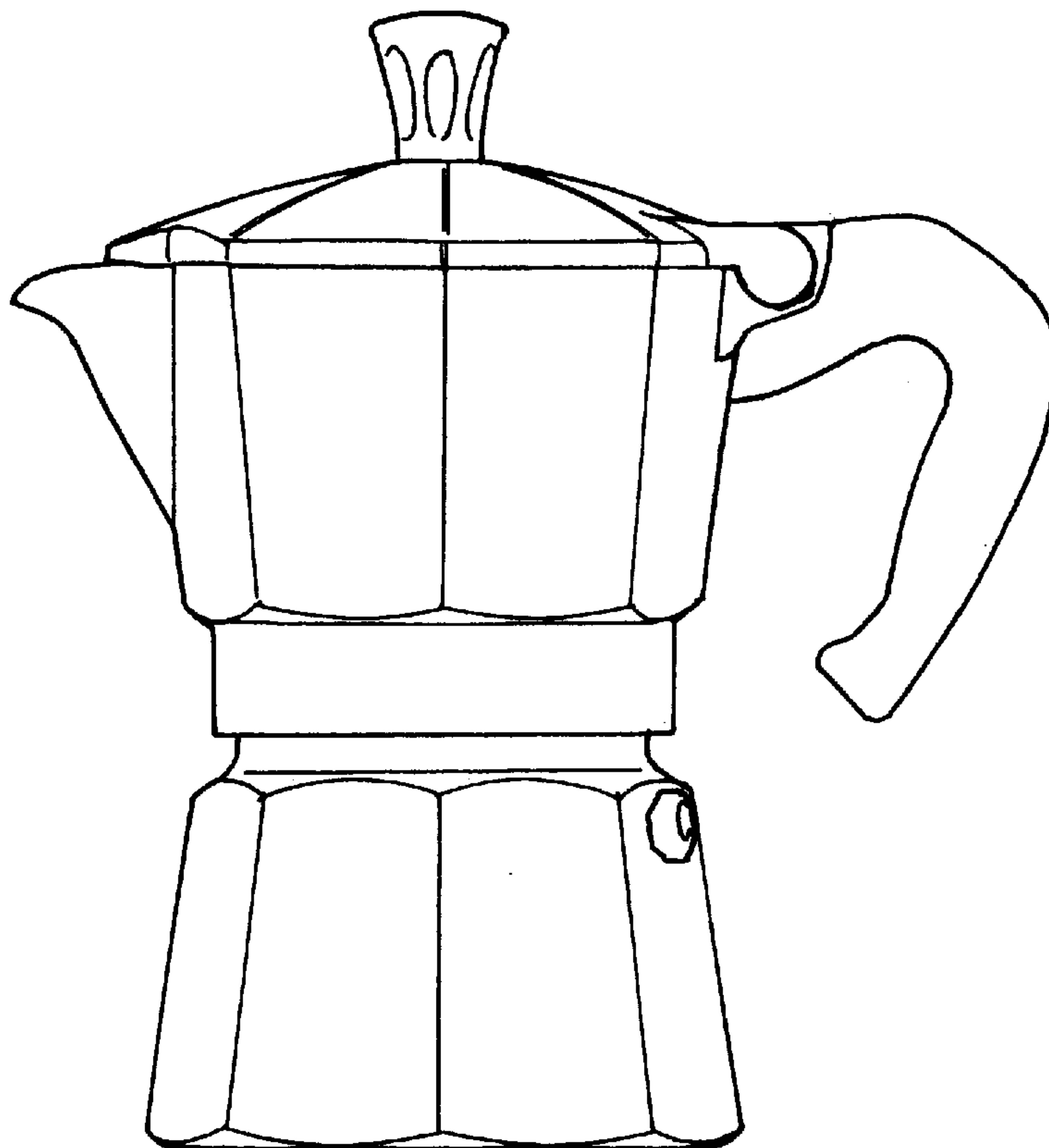
FIG. 1 is a perspective view of the apparatus for preparing a beverage;  
FIG. 2 is a side view of the apparatus for preparing a beverage; and,  
FIG. 3 is a top view of the apparatus for preparing a beverage.

(56) **References Cited**

**U.S. PATENT DOCUMENTS**

D194,697 S	*	2/1963	Douglas	.....	D7/317
3,935,804 A	*	2/1976	Perez	.....	99/293

**1 Claim, 3 Drawing Sheets**



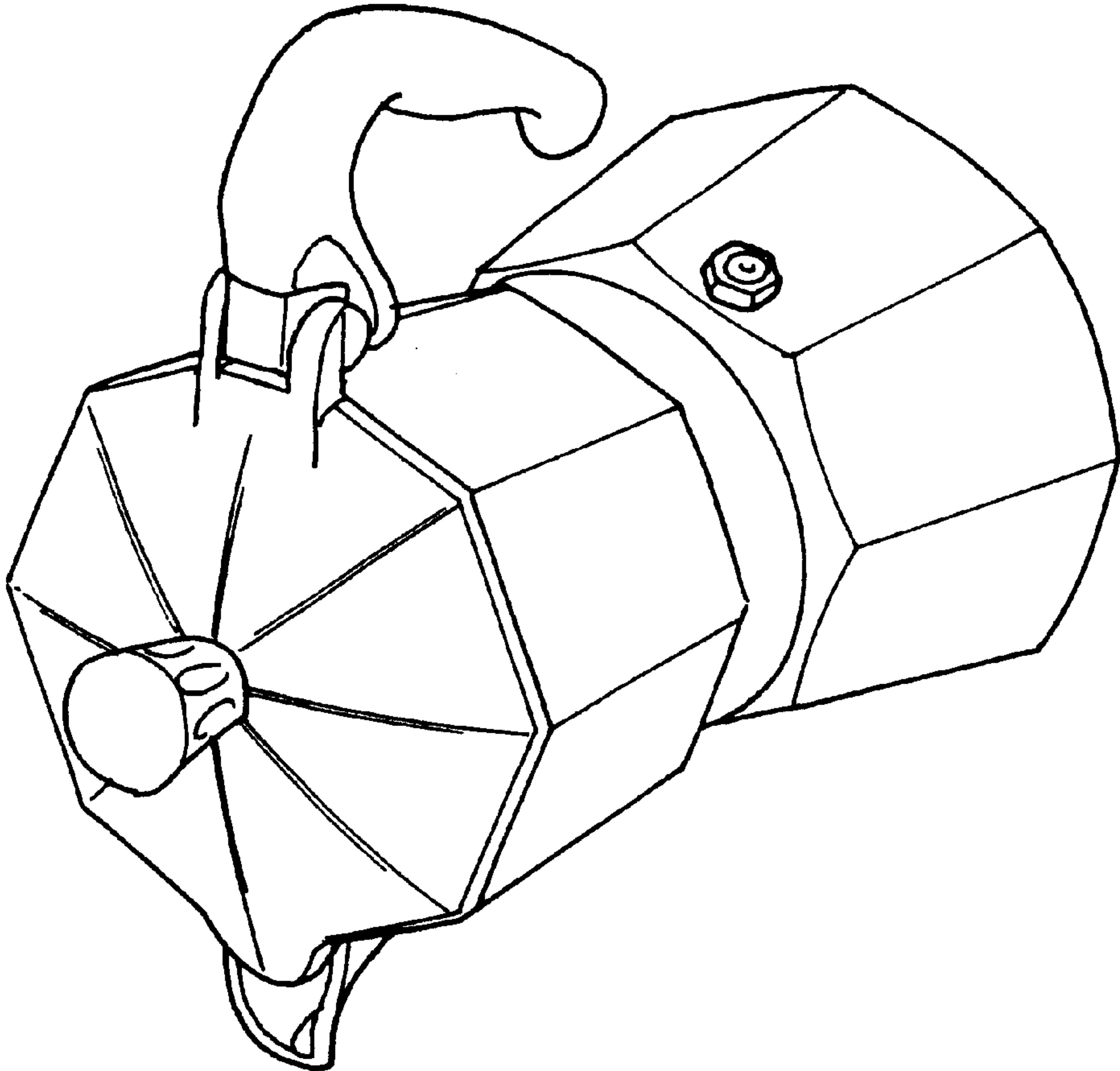


FIG. 1

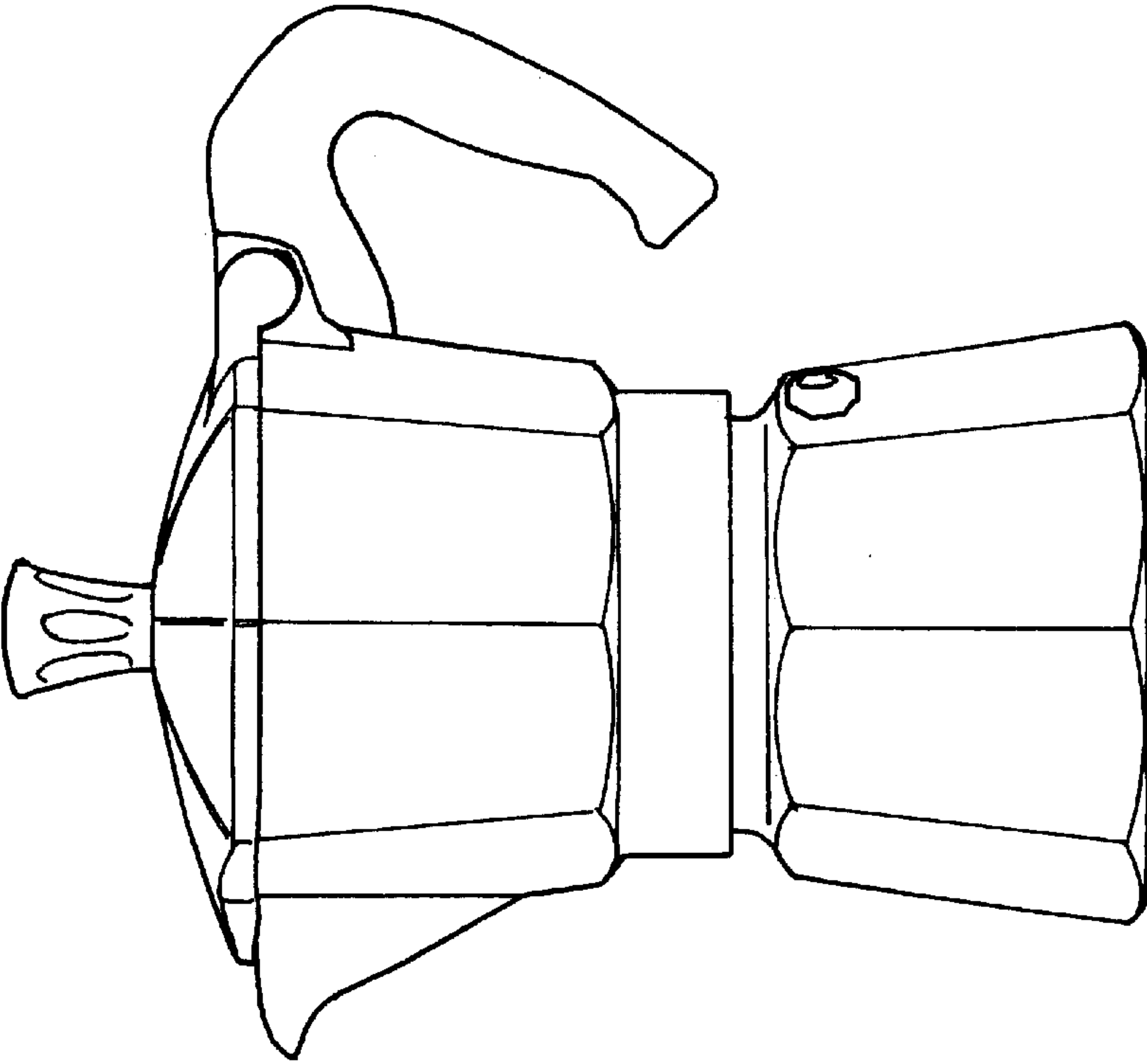


FIG. 2

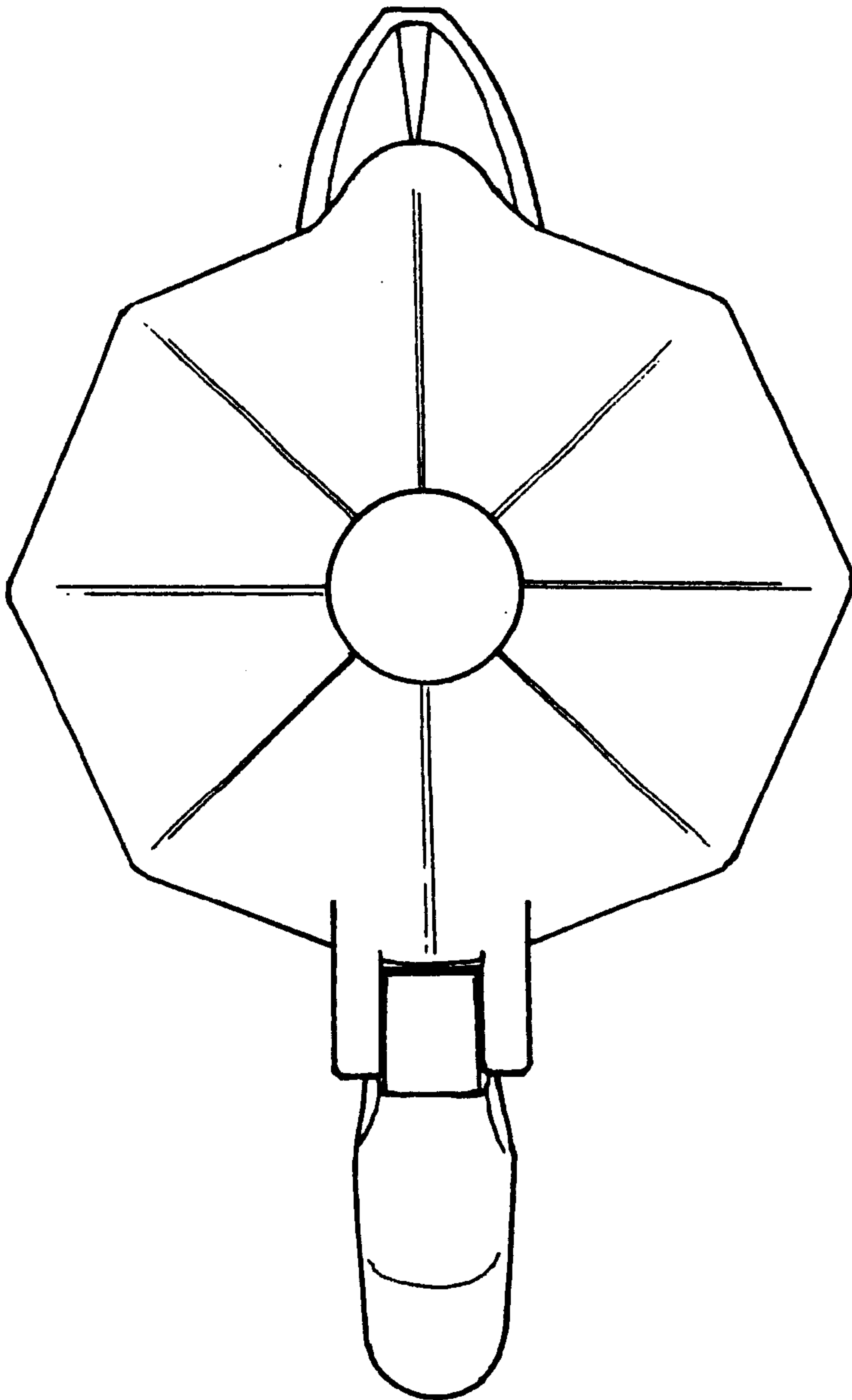


FIG. 3