



US00D538577S

(12) **United States Design Patent**
Glucksman et al.

(10) **Patent No.: US D538,577 S**

(45) **Date of Patent: ** Mar. 20, 2007**

(54) **BEVERAGE DISPENSER**

(75) Inventors: **Dov Z. Glucksman**, Danvers, MA
(US); **Laura J. Nickerson**, Andover,
MA (US)

(73) Assignee: **Appliance Development Corporation**,
Danvers, MA (US)

(**) Term: **14 Years**

(21) Appl. No.: **29/223,102**

(22) Filed: **Feb. 9, 2005**

(51) **LOC (8) Cl.** **07-01**

(52) **U.S. Cl.** **D7/306; D7/311**

(58) **Field of Classification Search** D7/311,
D7/312, 300, 313, 305, 306, 307, 308, 606,
D7/598, 605, 607, 608; D15/82; 222/214,
222/465.1, 538, 95, 129.1, 137, 129.3; 99/302,
99/288; 220/915.1, 592.2

See application file for complete search history.

(56) **References Cited**

U.S. PATENT DOCUMENTS

3,207,376 A * 9/1965 Molitor 222/129.3
D285,082 S * 8/1986 Verkler D15/82
5,524,791 A * 6/1996 Credle et al. 222/129.1
D378,215 S * 2/1997 Gander D15/82

5,803,312 A * 9/1998 Credle et al. 222/129.1
5,918,767 A * 7/1999 McGill 222/95
D453,663 S * 2/2002 Mori D7/589
D465,133 S * 11/2002 Ben-Moshe D7/605
D466,138 S * 11/2002 Baldonado et al. D15/82
D485,566 S * 1/2004 Ledingham et al. D15/82
D518,677 S * 4/2006 Van Berlo D7/306
D525,469 S * 7/2006 Hansen D7/309
D527,214 S * 8/2006 Hansen D7/309

* cited by examiner

Primary Examiner—M. N. Pandozzi

(74) *Attorney, Agent, or Firm*—George A. Herbster

(57) **CLAIM**

The ornamental design for a beverage dispenser, substan-
tially as shown.

DESCRIPTION

FIG. 1 is a perspective view of a beverage dispenser
showing our new design;

FIG. 2 is a front view thereof;

FIG. 3 is a side view taken from the left in FIG. 1;

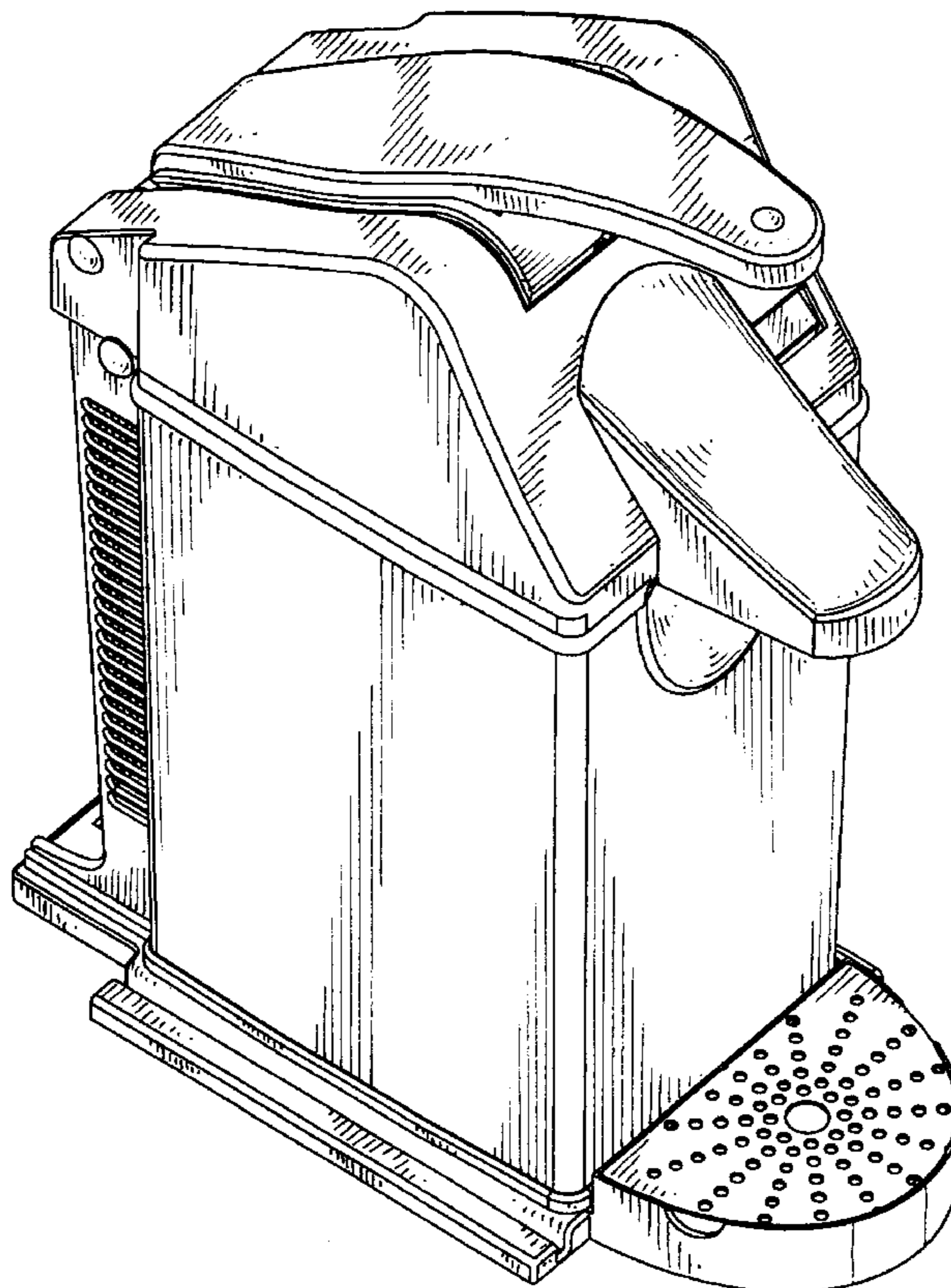
FIG. 4 is a side view taken from the right in FIG. 1;

FIG. 5 is a back view thereof;

FIG. 6 is a top view thereof; and,

FIG. 7 is a bottom view thereof.

1 Claim, 6 Drawing Sheets



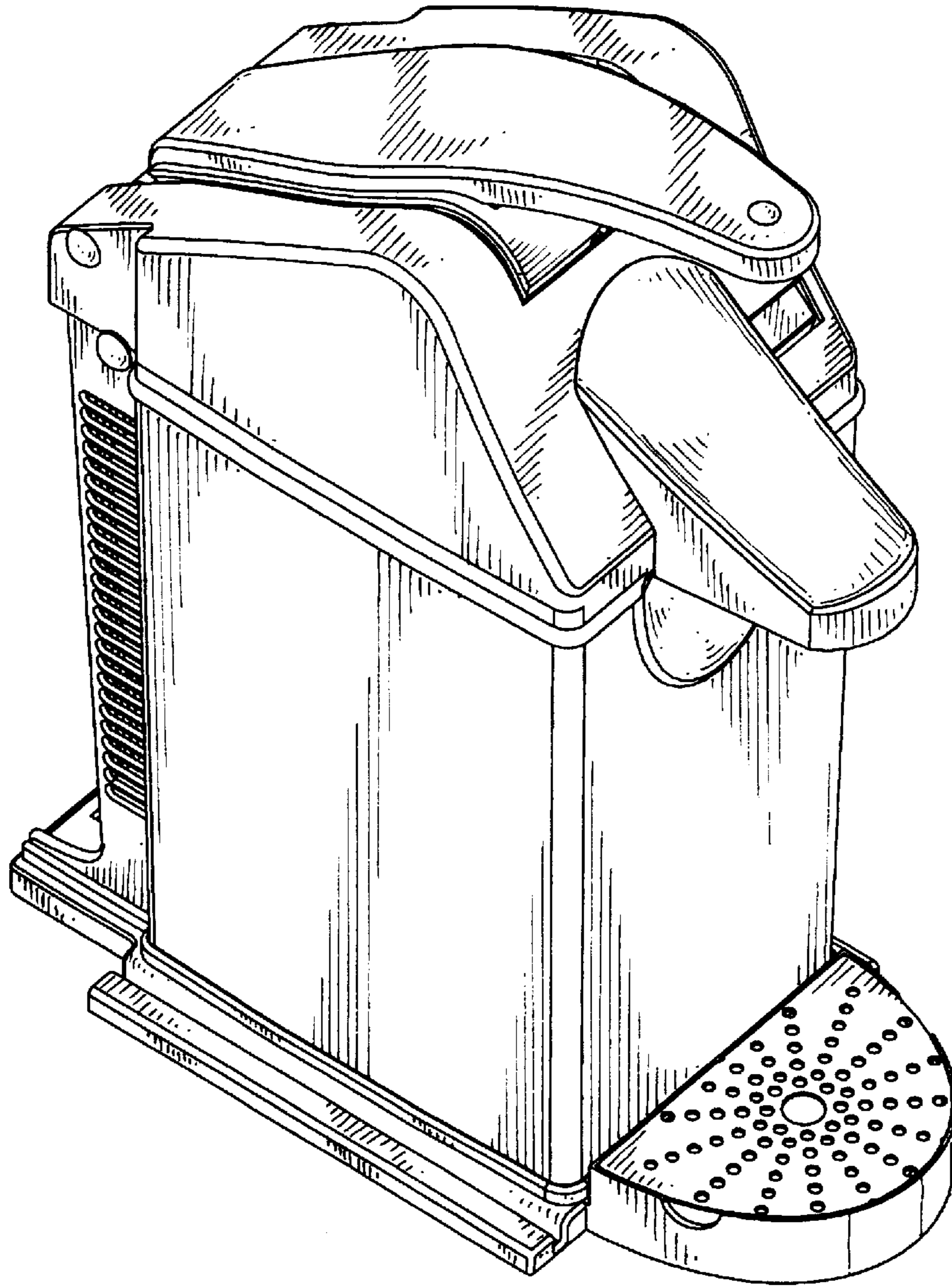


FIG. 1

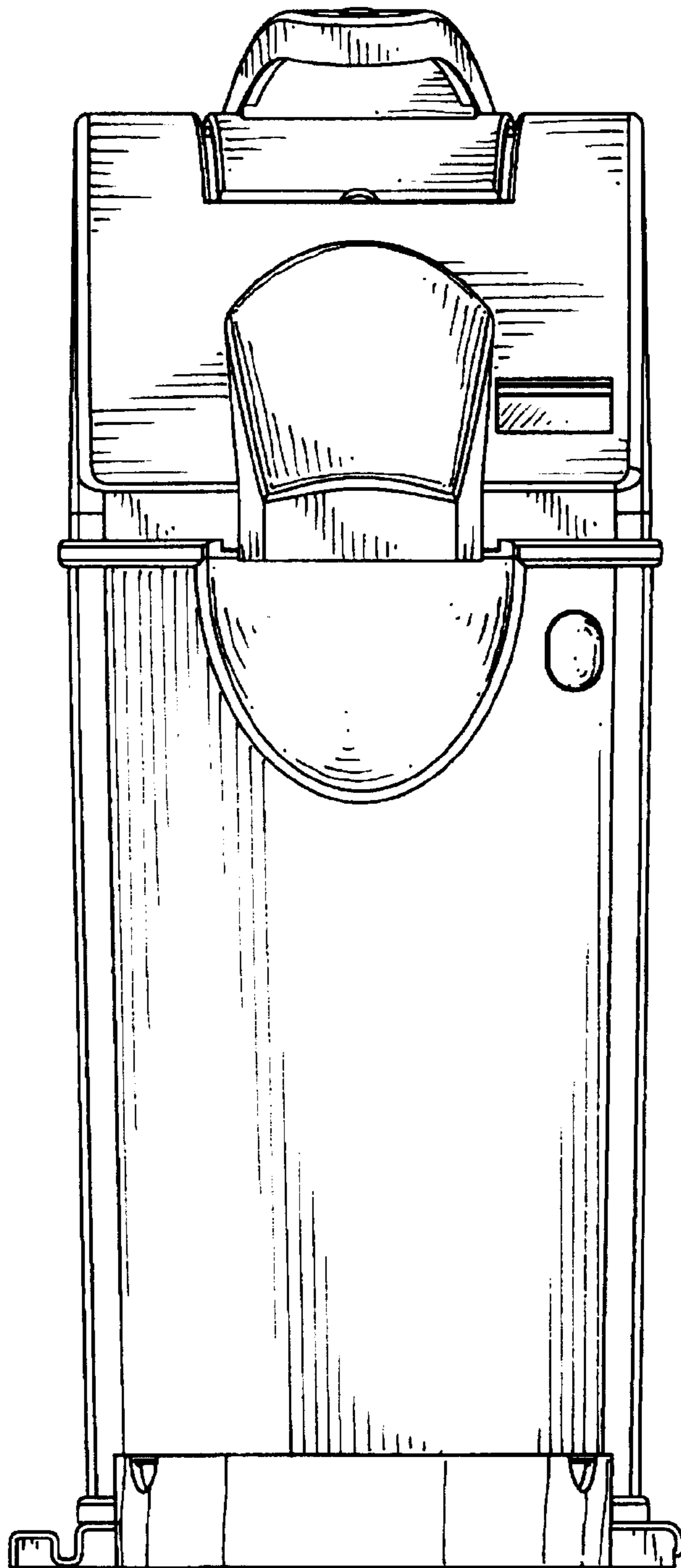


FIG. 2

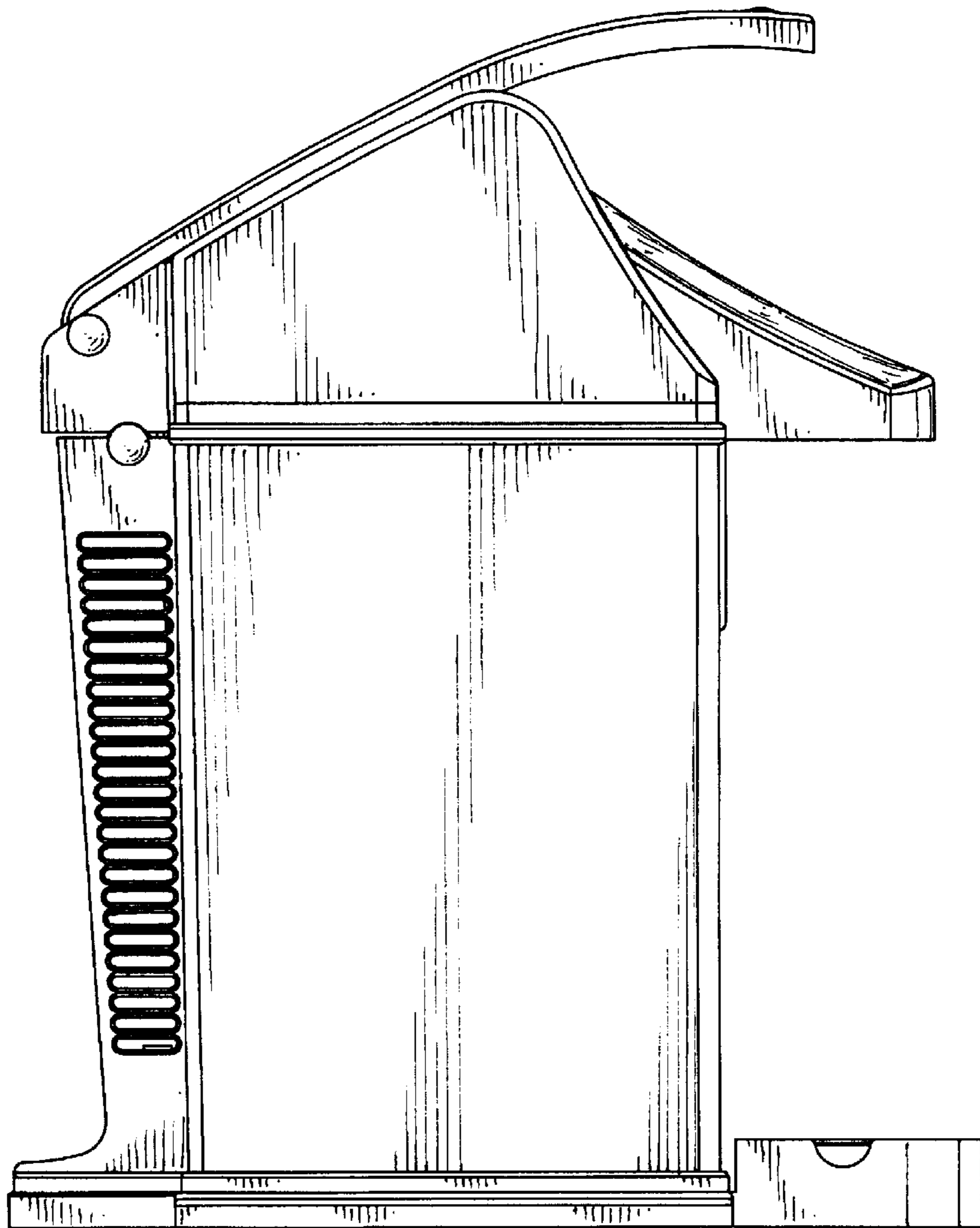


FIG. 3

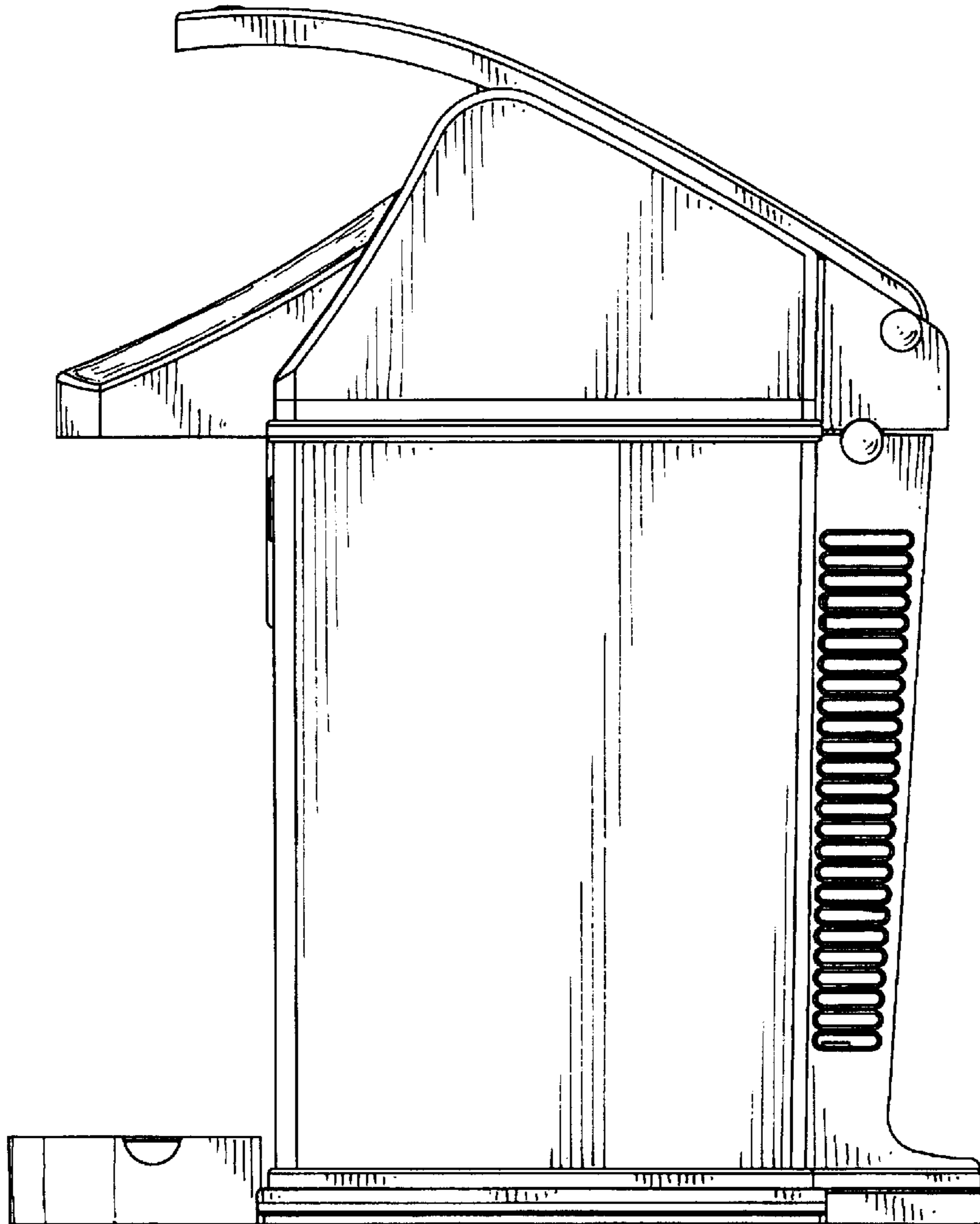


FIG. 4

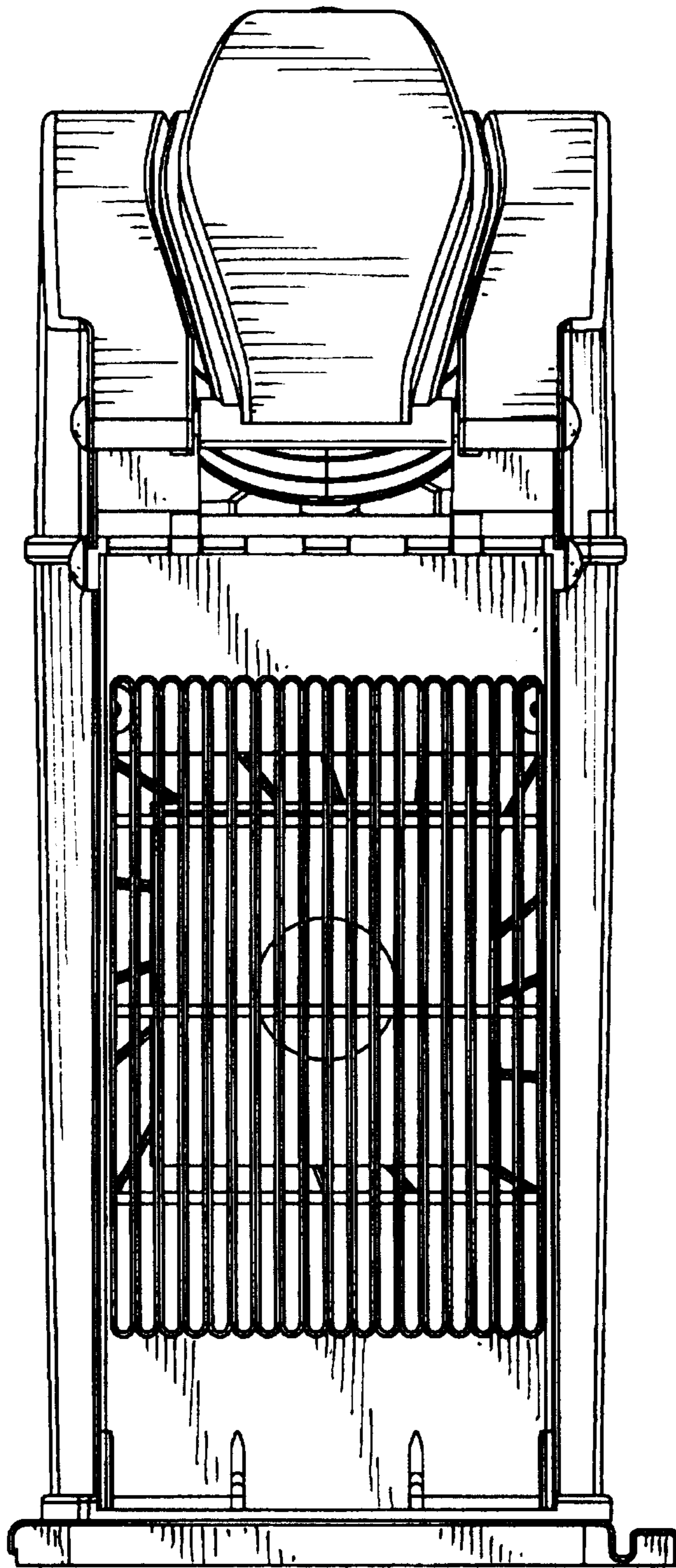


FIG. 5

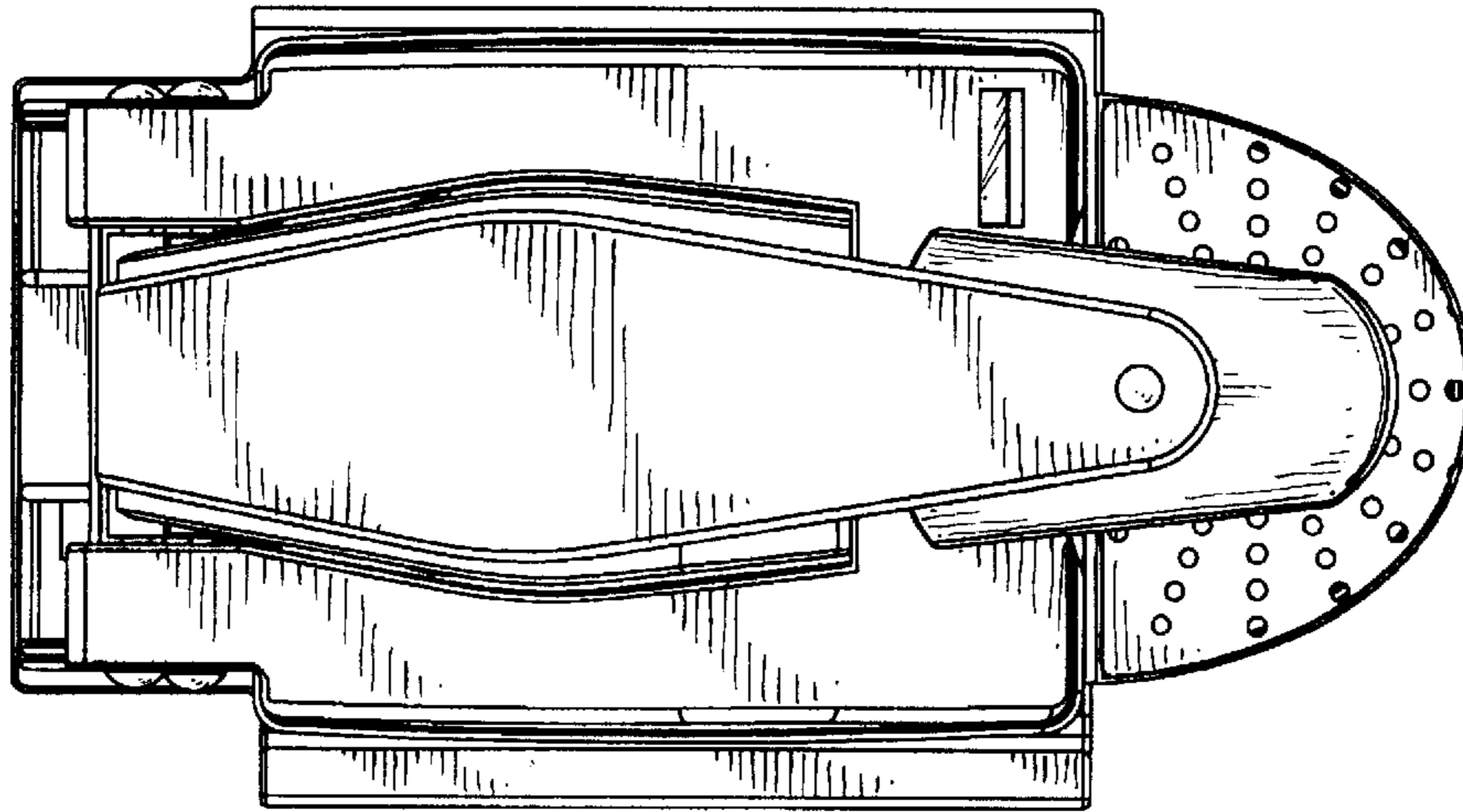


FIG. 6

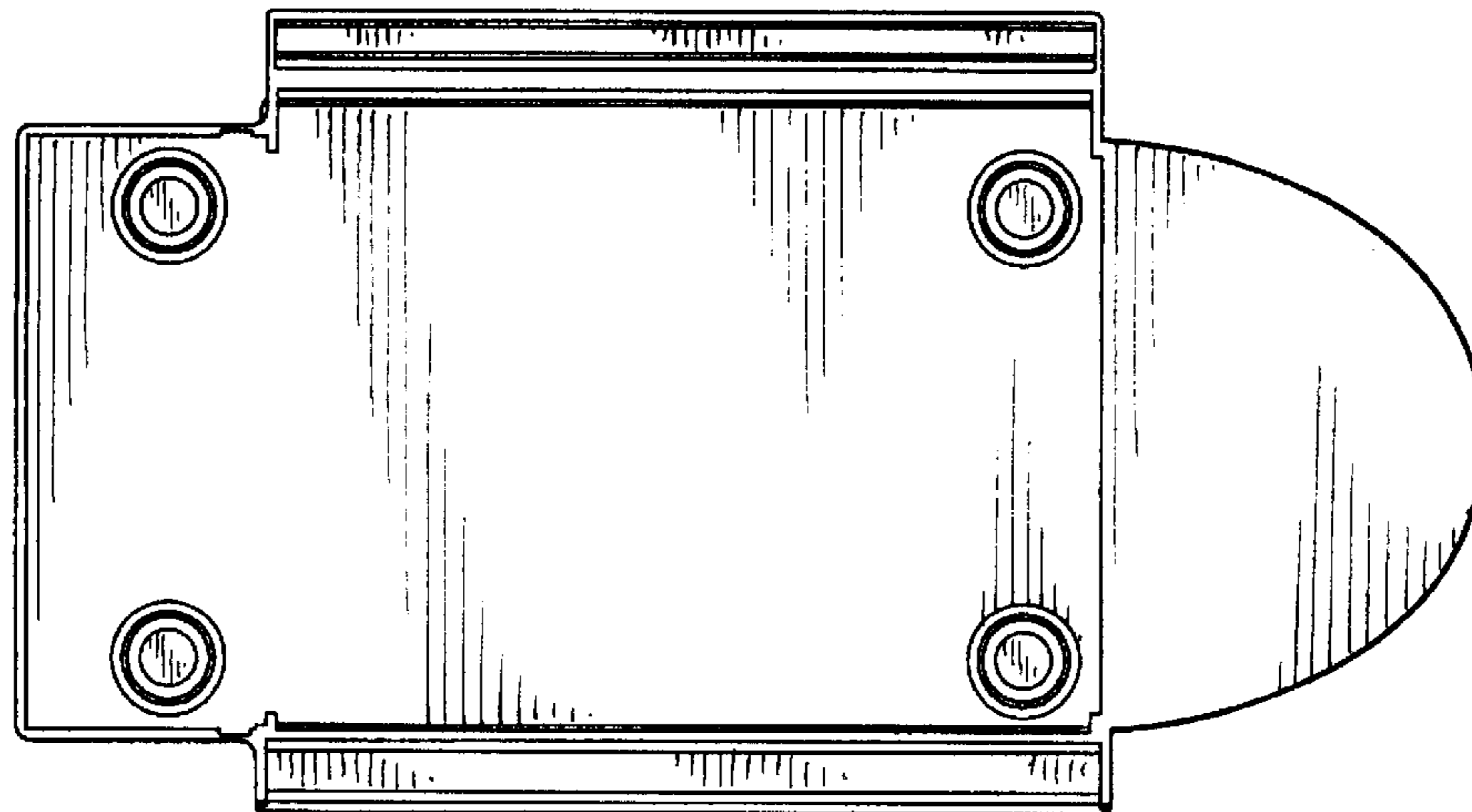


FIG. 7