



US00D538571S

(12) **United States Design Patent**
Militello et al.

(10) **Patent No.:** **US D538,571 S**

(45) **Date of Patent:** **** Mar. 20, 2007**

(54) **QUADRA-CIRCULAR WINDOW SHADE
SUPPORT BASE**

(75) Inventors: **David R. Militello**, Rohnert Park, CA
(US); **Barry L. Shevick**, Fair Oaks, CA
(US)

(73) Assignee: **Shades Unlimited, Inc.**, Cotati, CA
(US)

(**) Term: **14 Years**

(21) Appl. No.: **29/208,095**

(22) Filed: **Jun. 22, 2004**

(51) **LOC (8) Cl.** **06-10**

(52) **U.S. Cl.** **D6/580**

(58) **Field of Classification Search** D6/575,
D6/579, 580, 570, 449, 466, 470, 472, 475;
D19/90, 92; D7/504, 601, 631; 211/40; 160/84.07,
160/134

See application file for complete search history.

(56) **References Cited**

U.S. PATENT DOCUMENTS

D127,830 S	*	6/1941	Meyer	D6/472
D156,693 S	*	1/1950	Bergal	D6/475
D232,212 S	*	7/1974	Glover et al.	D6/475
D277,819 S	*	3/1985	Crosslen	D6/449
4,539,239 A	*	9/1985	Graves et al.	428/43
4,776,380 A		10/1988	Lester		
4,934,434 A	*	6/1990	Schnebly et al.	160/84.07
5,010,939 A	*	4/1991	King	160/84.07
5,044,418 A		9/1991	Donahue		
5,050,661 A		9/1991	Sikkema		
5,157,966 A	*	10/1992	Lugosi et al.	73/118.1
5,159,966 A		11/1992	Fleishman		
5,183,092 A	*	2/1993	Jelic	160/84.07
5,184,659 A		2/1993	Alcocer		
D334,675 S	*	4/1993	Evenson	D6/475

5,471,789 A	*	12/1995	Faircloth	49/74.1
5,584,329 A	*	12/1996	Thomas	160/134
5,598,883 A	*	2/1997	Platsis	160/370.23
5,662,153 A		9/1997	Rosenblatt		
5,765,619 A		6/1998	Arnold		
5,794,680 A		8/1998	Xue		
D406,478 S	*	3/1999	Rahman	D6/475
6,029,733 A		2/2000	Xue		
6,145,569 A		11/2000	Shaw		
6,257,301 B1		7/2001	Conforti		
D446,967 S	*	8/2001	Stravitz	D6/449
6,341,447 B1		1/2002	Jean		
D455,459 S	*	4/2002	Cheris et al.	D19/90
6,390,172 B1		5/2002	Fleishman		
6,561,257 B2		5/2003	Huang		
6,640,868 B1		11/2003	Guggisberg		
2001/0009179 A1		7/2001	Huang		

* cited by examiner

Primary Examiner—Holly H. Baynham

Assistant Examiner—Cynthia M. Chin

(74) *Attorney, Agent, or Firm*—Heisler & Associates

(57) **CLAIM**

The ornamental design for a quadra-circular window shade support base, as shown and described.

DESCRIPTION

FIG. 1 is a reduced perspective view of the quadra-circular window shade support base in use;

FIG. 2 is a perspective view of the quadra-circular window shade support base;

FIG. 3 is a left side view of the invention;

FIG. 4 is a top plan view of the invention;

FIG. 5 is a front elevation view of the invention;

FIG. 6 is a bottom plan view of the invention; and,

FIG. 7 is a right side view of the invention.

The broken lines in FIG. 1 are for purposes of illustration only and form no part of the claimed design.

1 Claim, 2 Drawing Sheets

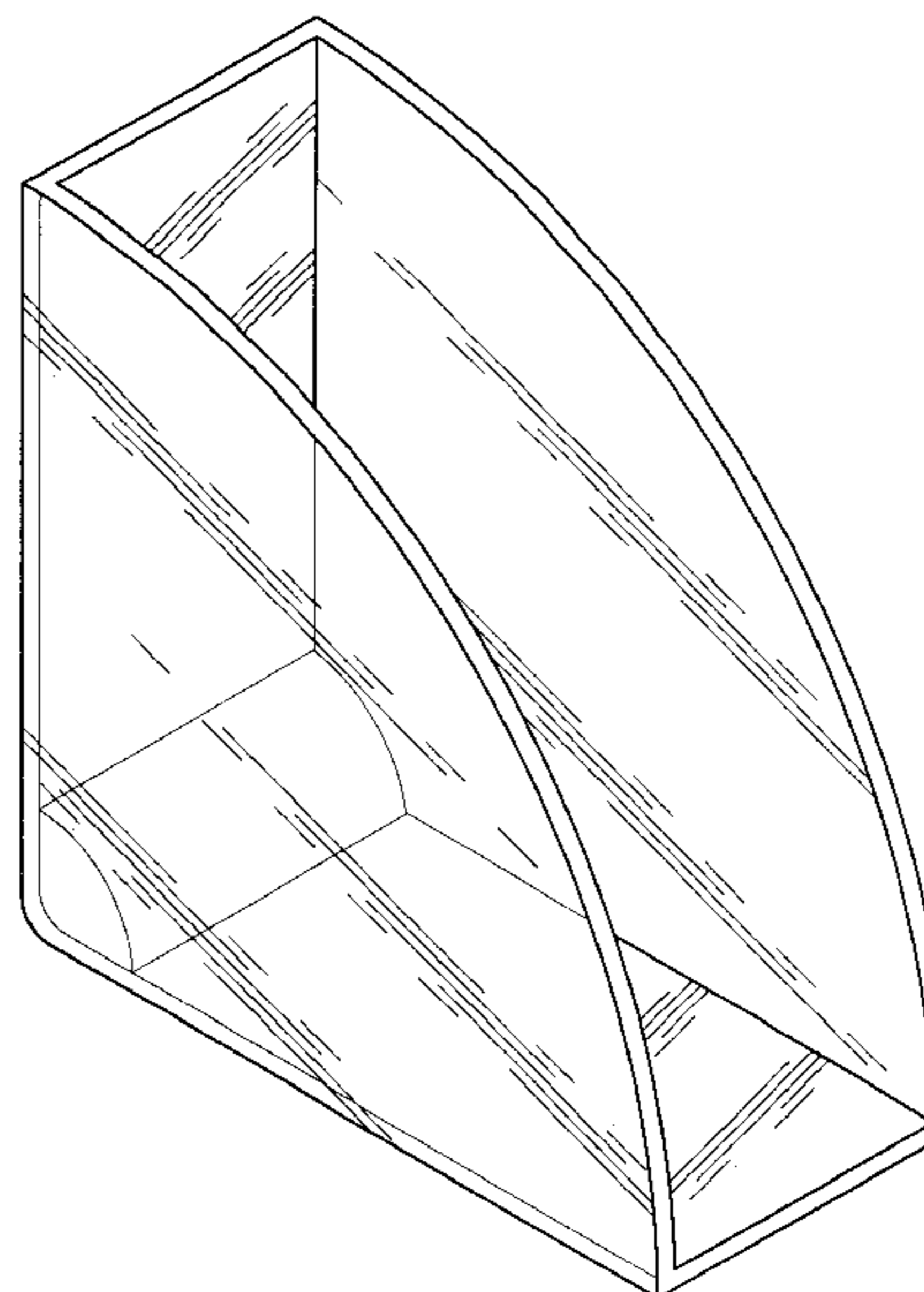
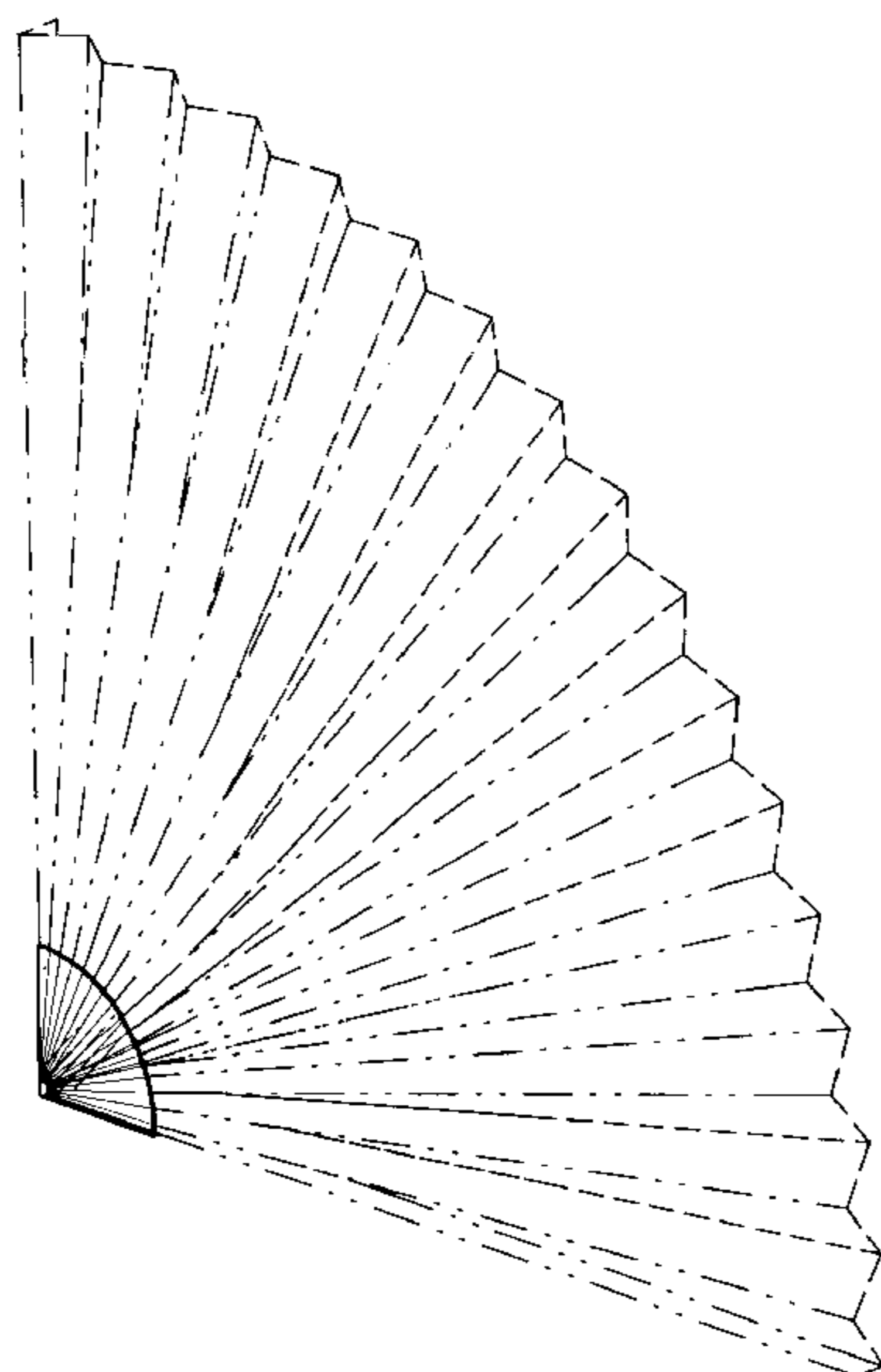


Fig. 1

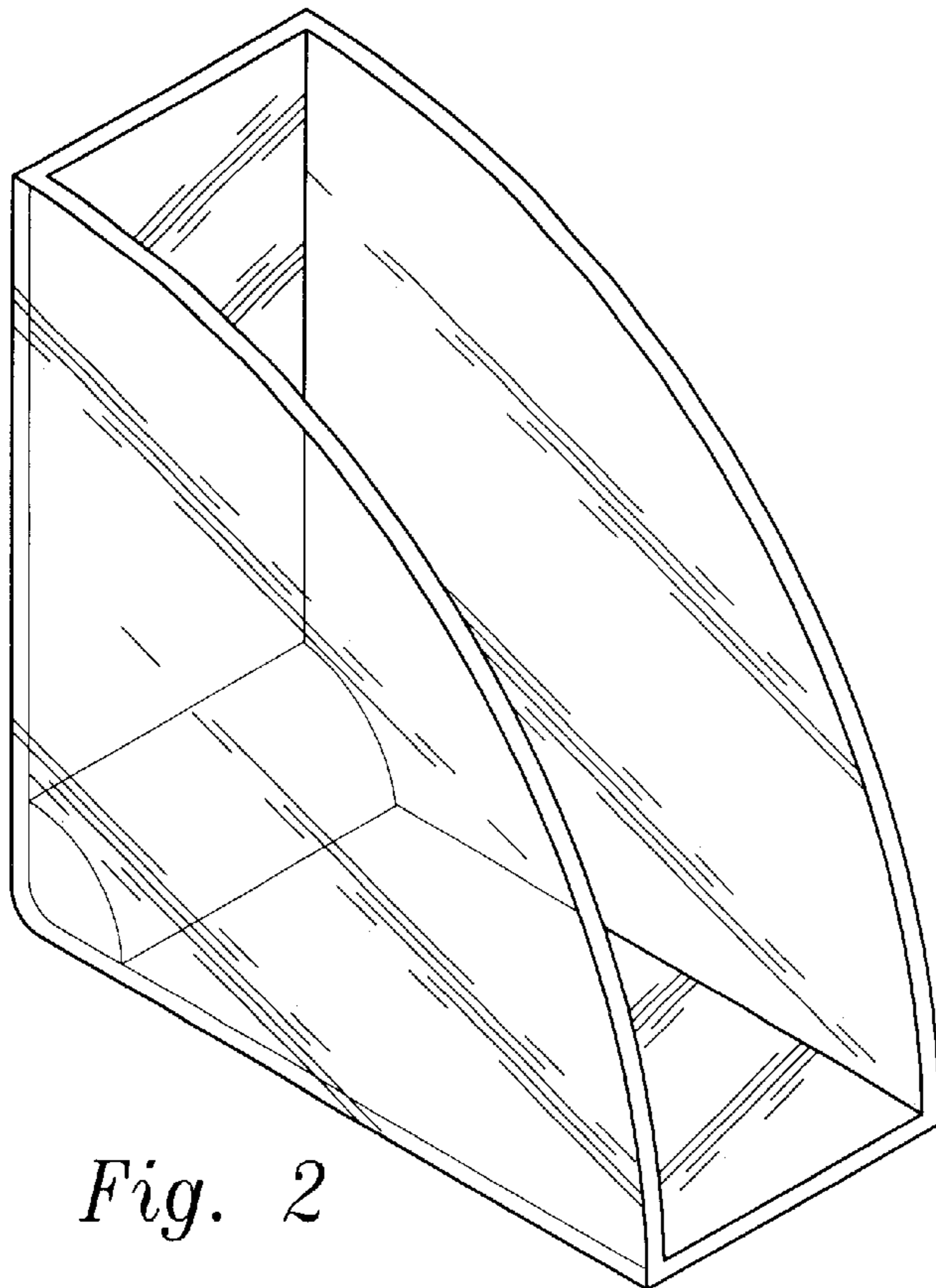
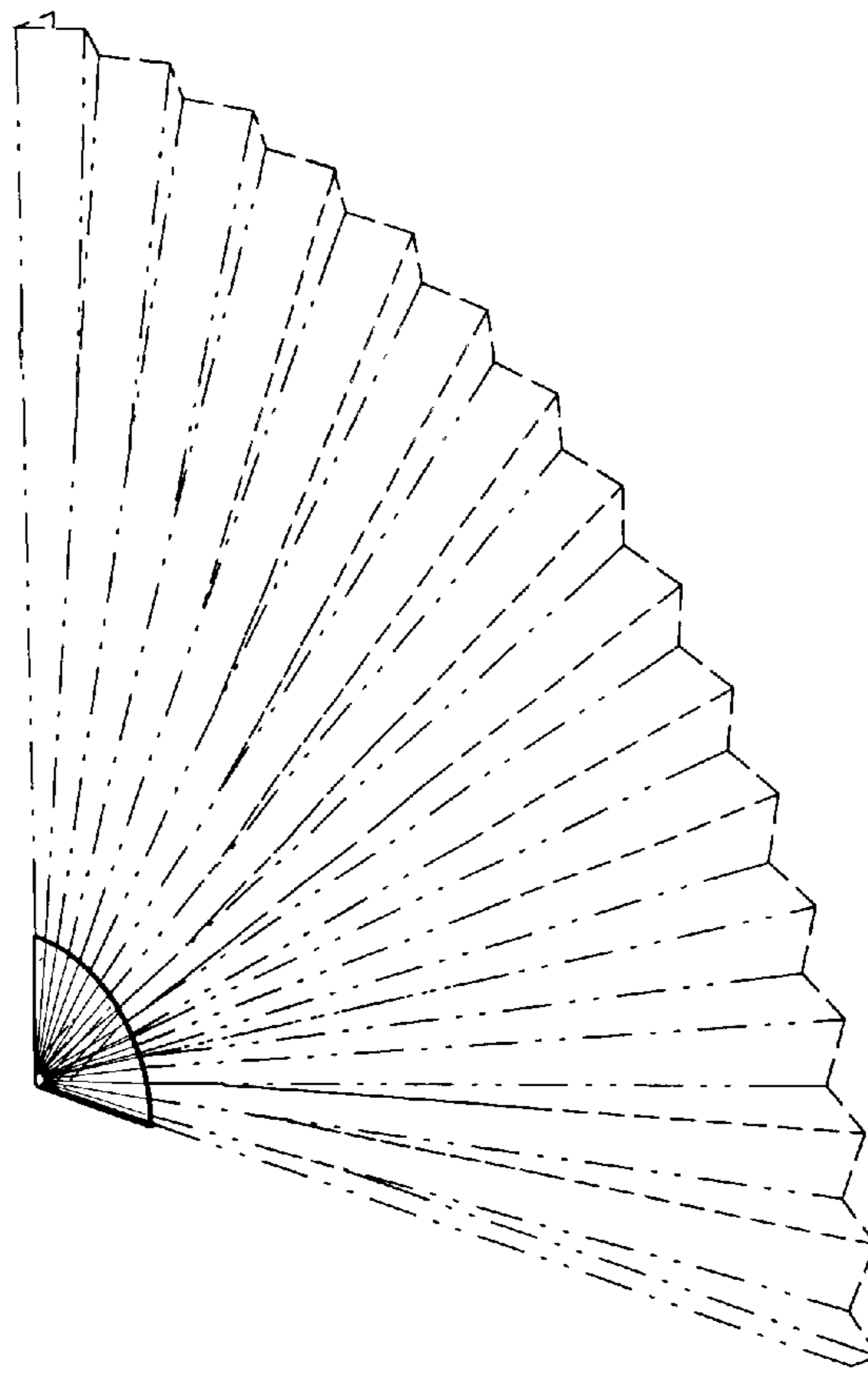


Fig. 2

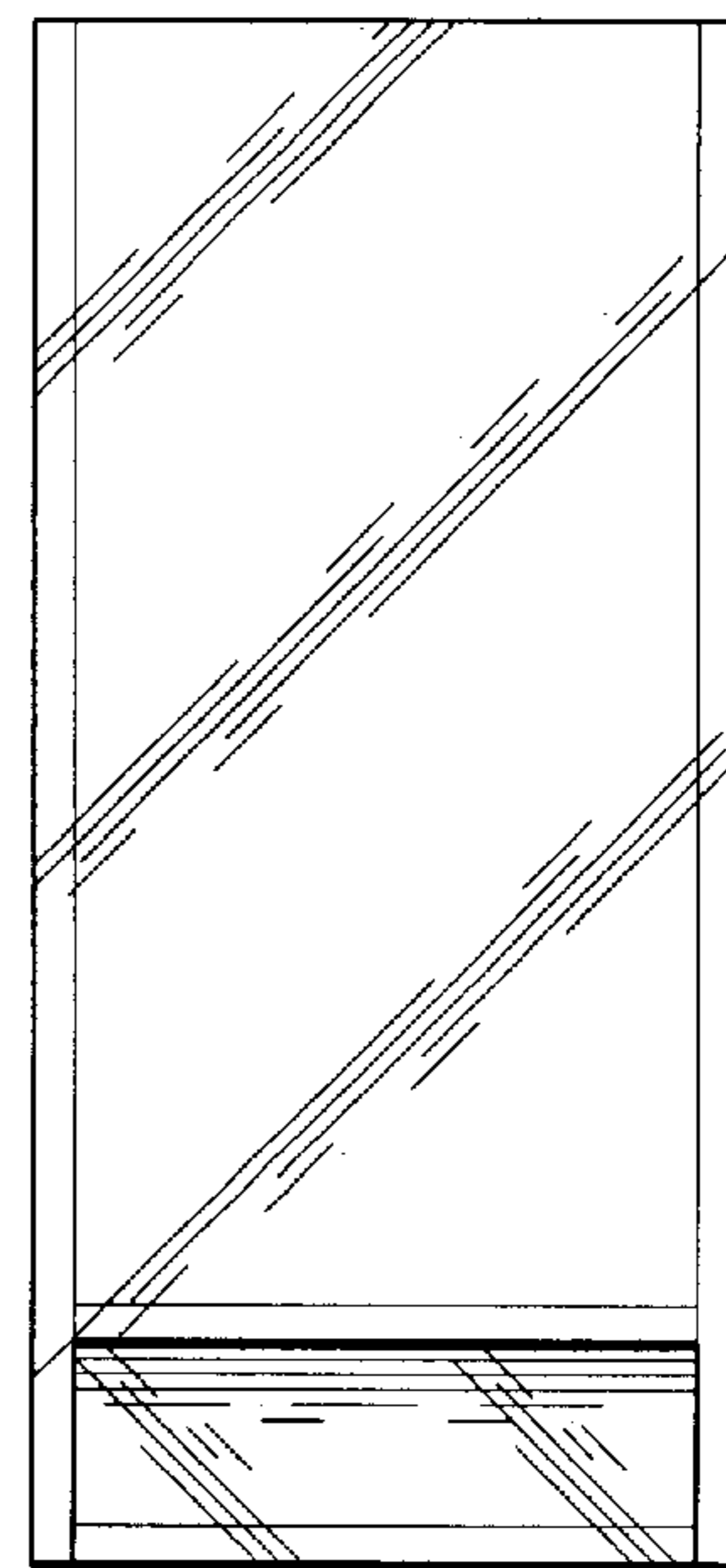


Fig. 3

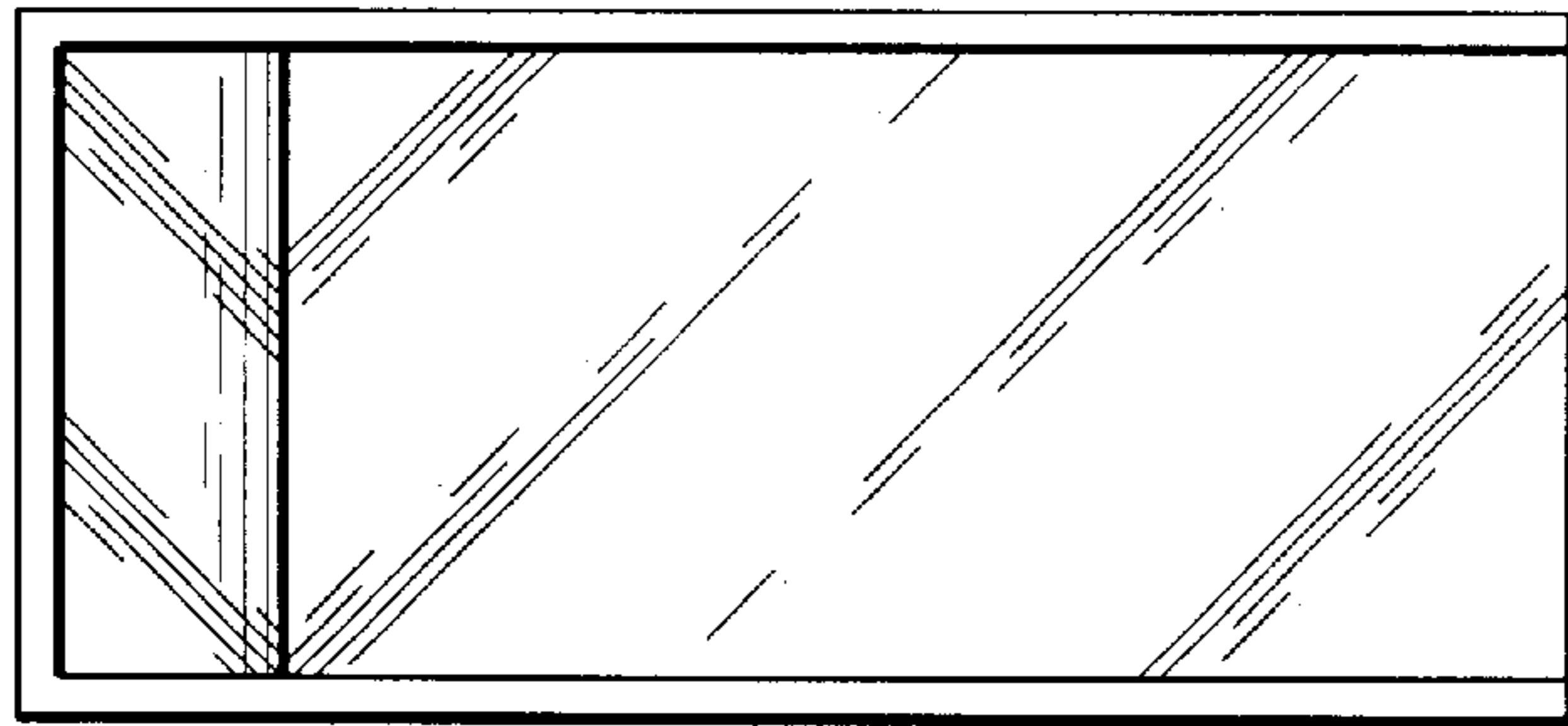


Fig. 4

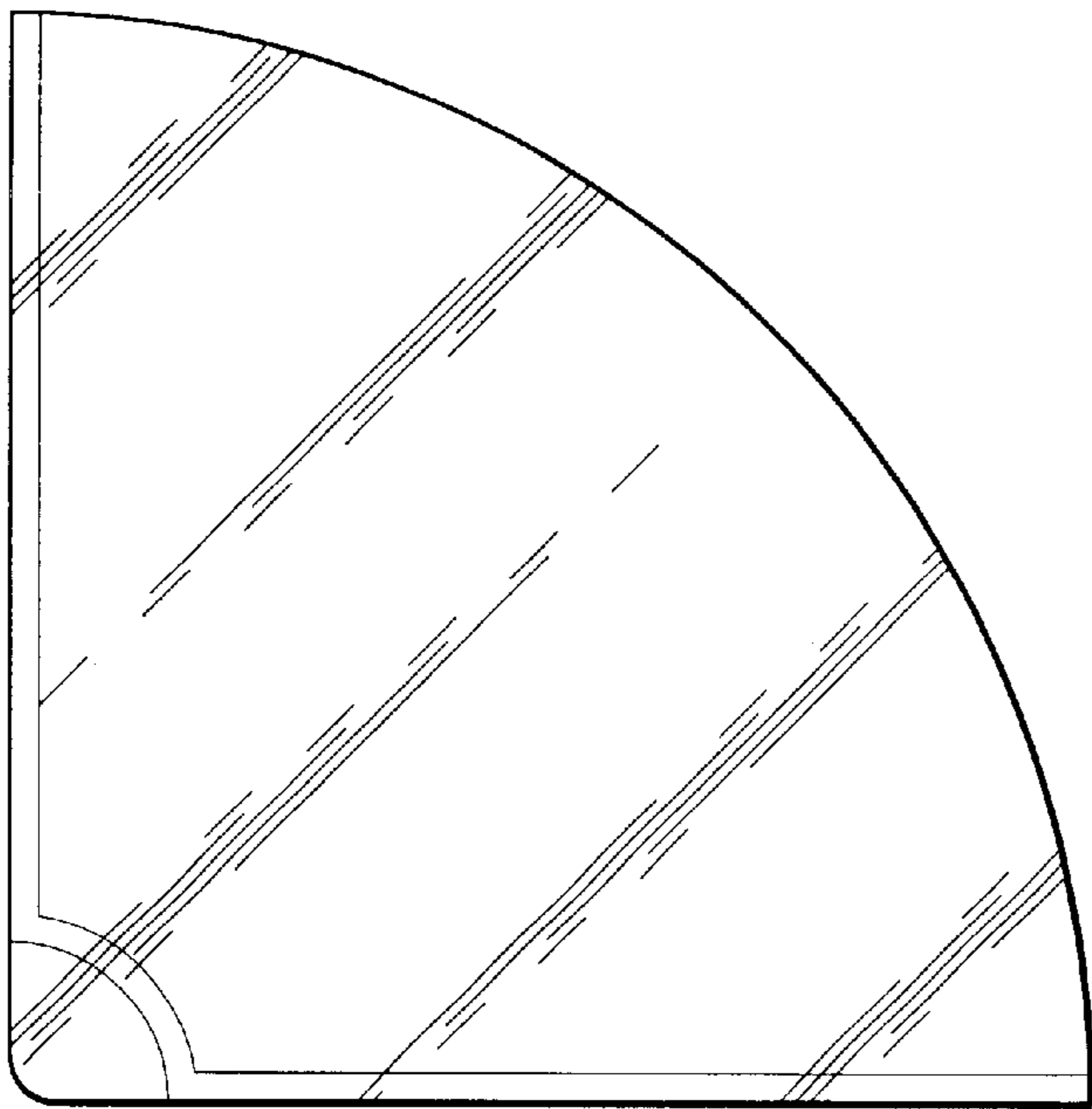


Fig. 5

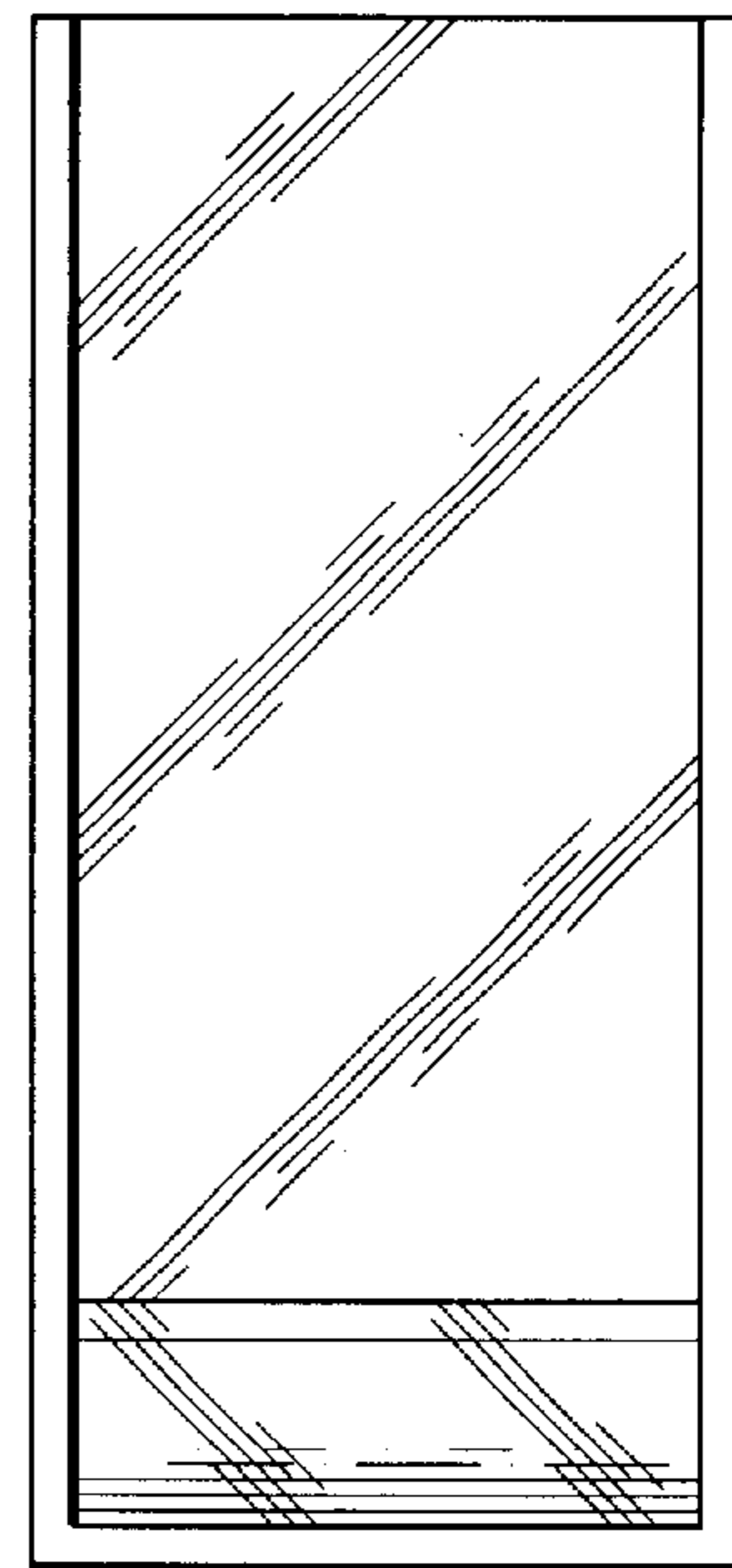


Fig. 7

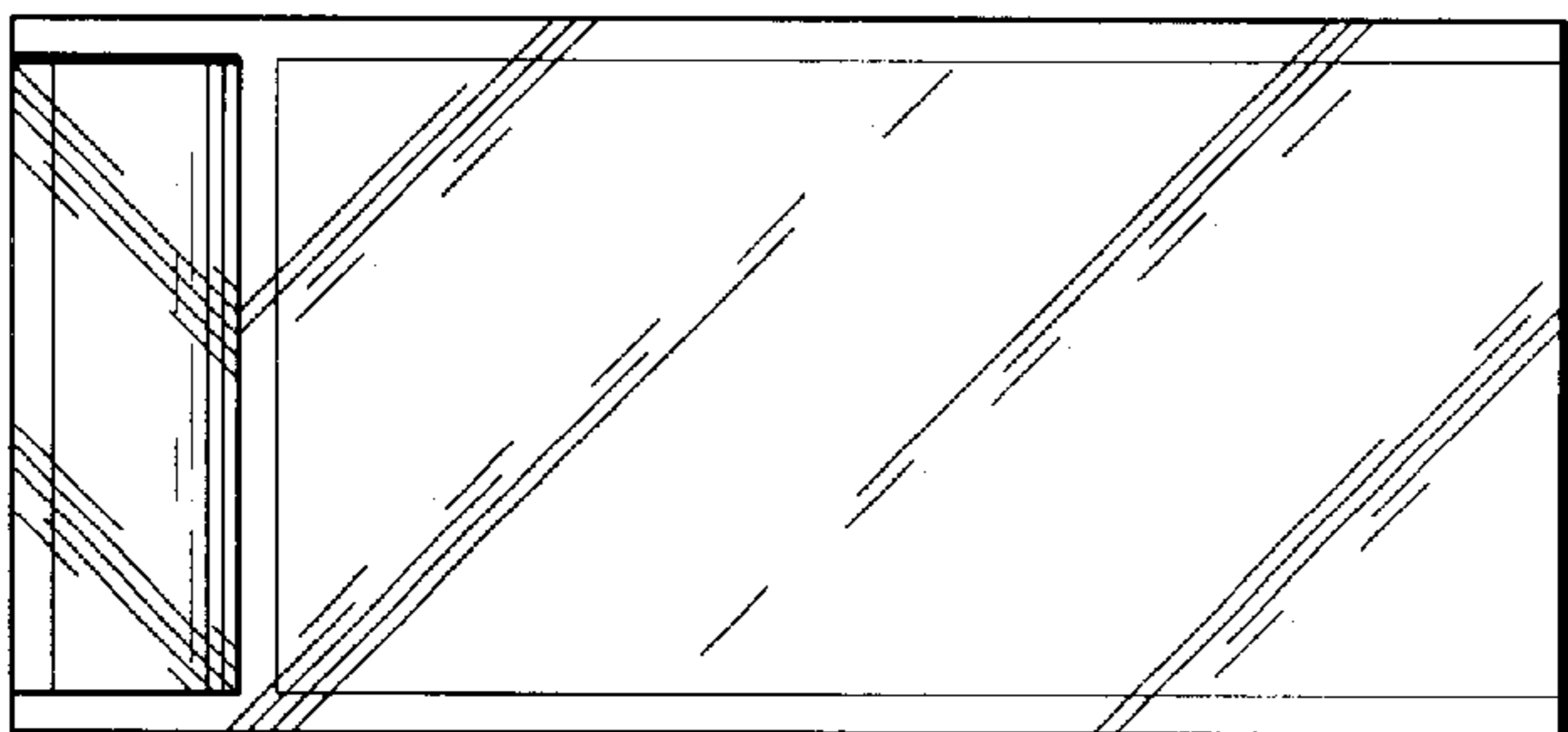


Fig. 6