



US00D538569S

(12) **United States Design Patent**
Jensen

(10) **Patent No.:** **US D538,569 S**

(45) **Date of Patent:** **** Mar. 20, 2007**

(54) **FRONT PANEL AND MASTER CONTROL
MODULE FOR MOVABLE MODULAR HIGH
DENSITY STORAGE SYSTEM**

(75) Inventor: **Jacob Jensen**, Højslev (DK)

(73) Assignee: **Nord-Plan A/S**, Vippered (DK)

(**) Term: **14 Years**

(21) Appl. No.: **29/257,218**

(22) Filed: **Mar. 31, 2006**

Related U.S. Application Data

(62) Division of application No. 29/180,913, filed on May 2, 2003, now Pat. No. Des. 523,266.

(30) **Foreign Application Priority Data**

Nov. 4, 2002 (DK) DA 2002 00875

(51) **LOC (8) Cl.** **06-06**

(52) **U.S. Cl.** **D6/509**

(58) **Field of Classification Search** D6/432,
D6/433, 441, 446, 448, 510; D13/184; D14/365;
109/56; 312/108, 257.1, 297, 330.1, 200
See application file for complete search history.

(56) **References Cited**

U.S. PATENT DOCUMENTS

3,427,085 A * 2/1969 Staller 312/200
3,944,309 A * 3/1976 Taniwaki 104/287
D248,138 S * 6/1978 Stackhouse et al. D6/445

4,119,376 A * 10/1978 Moyer 312/198
D285,075 S * 8/1986 Katai D14/363
D335,285 S * 5/1993 Utsuki et al. D14/364
5,358,321 A * 10/1994 Leonardi 312/9.55
D428,393 S * 7/2000 Nelson et al. D13/184
6,260,936 B1 * 7/2001 Frank et al. 312/201

* cited by examiner

Primary Examiner—Cathron C. Brooks

(74) *Attorney, Agent, or Firm*—Nath & Associates PLLC;
Gregory B. Kang; Derek Richmond

(57) **CLAIM**

The ornamental design for a front panel and master control module for movable modular high density storage system, as shown and described.

DESCRIPTION

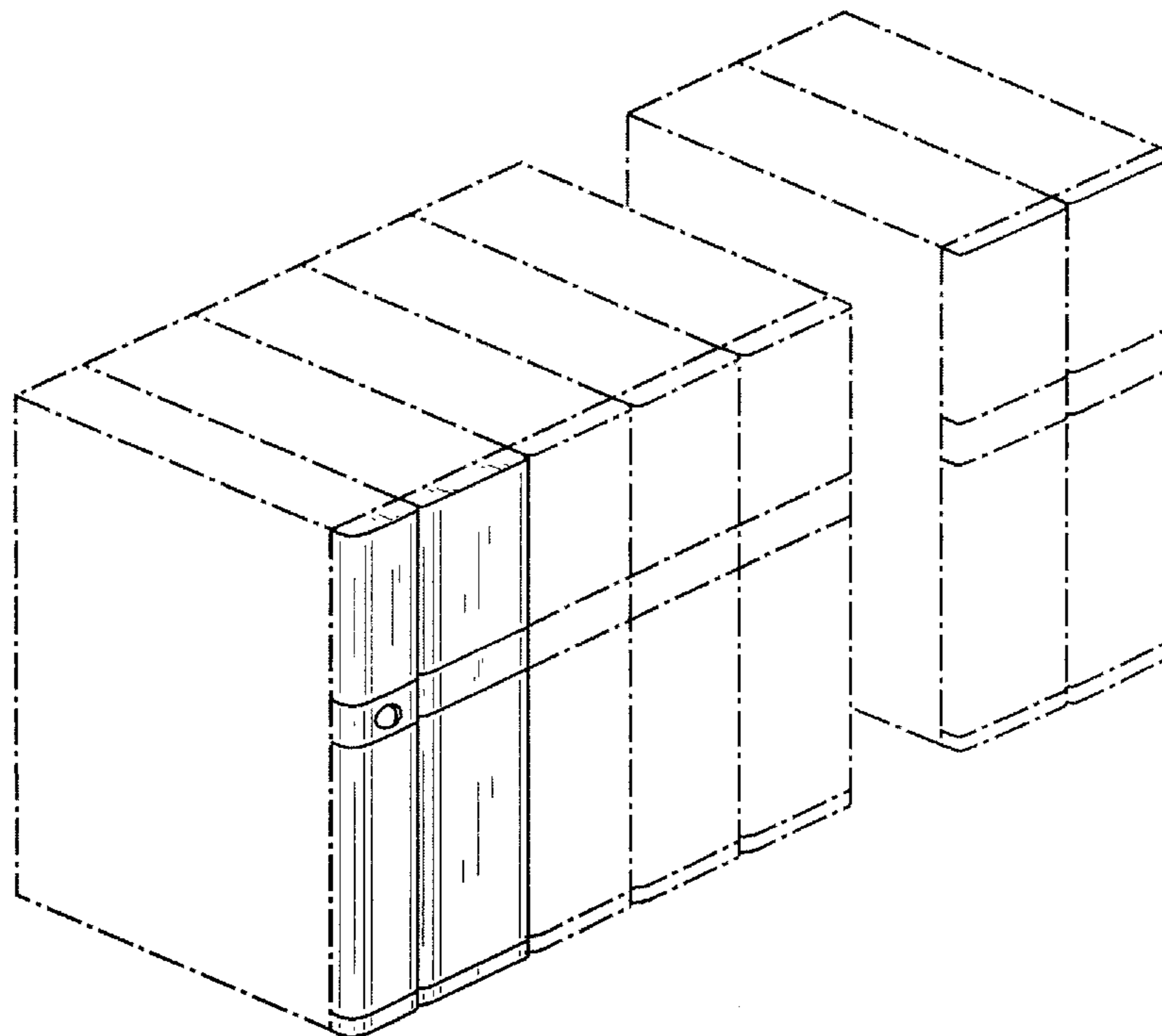
FIG. 1 is a front perspective view of a first embodiment of a front panel and master control module for a movable storage system, shown with a label module, and shown in a grouping of six modules.

FIG. 2 is a front perspective view of a second embodiment of a front panel and master control module for a movable storage system, shown with a label module, and shown in a grouping of six modules.

FIG. 3 is a front view of the design of FIG. 1; and, FIG. 4 is a front view of the design of FIG. 2.

The broken lines immediately adjacent the shaded areas form the bounds of the claimed design. The remaining broken lines are for illustrative purposes only. None of the broken lines form a part of the claimed design.

1 Claim, 4 Drawing Sheets



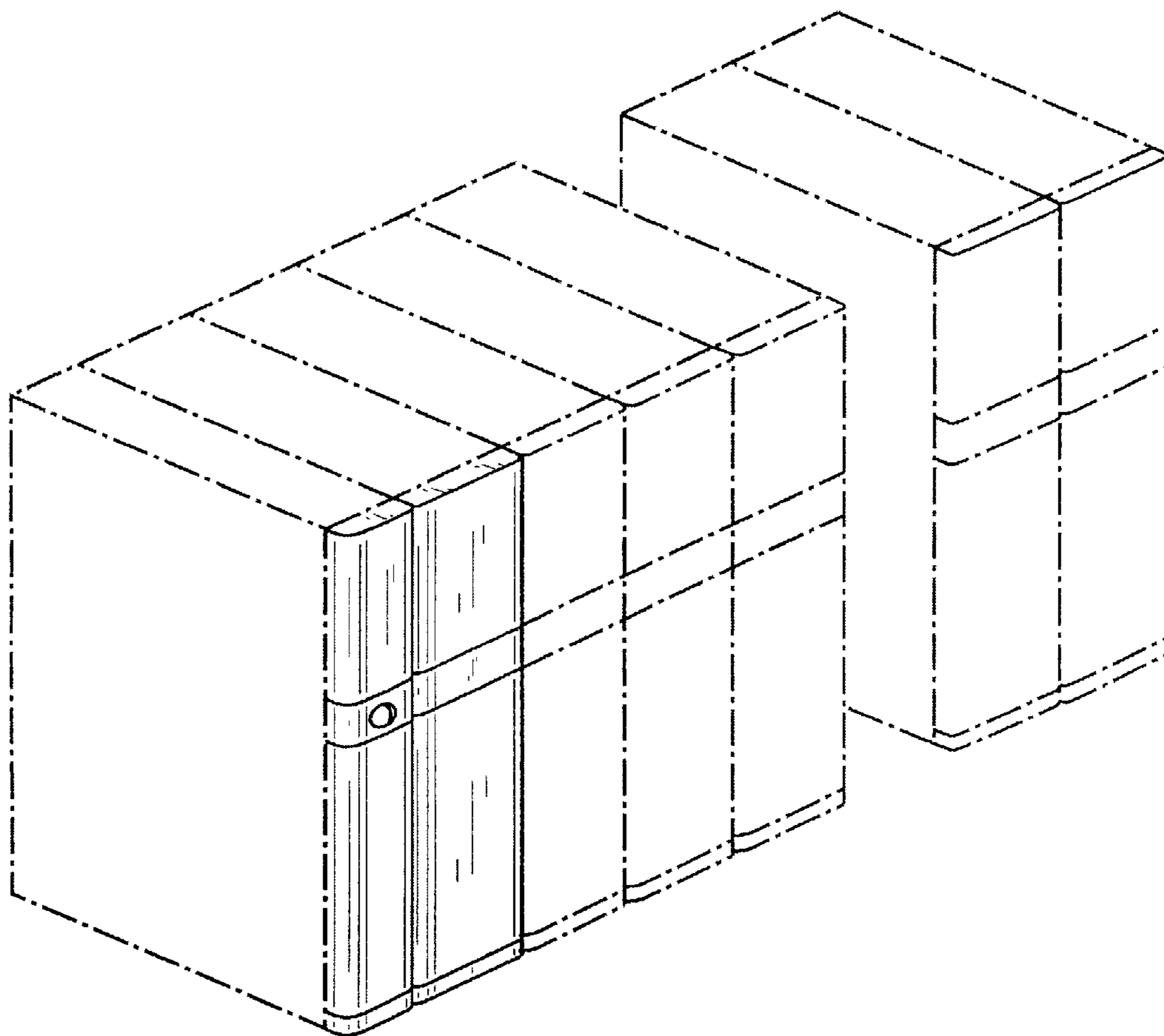


FIG. 1

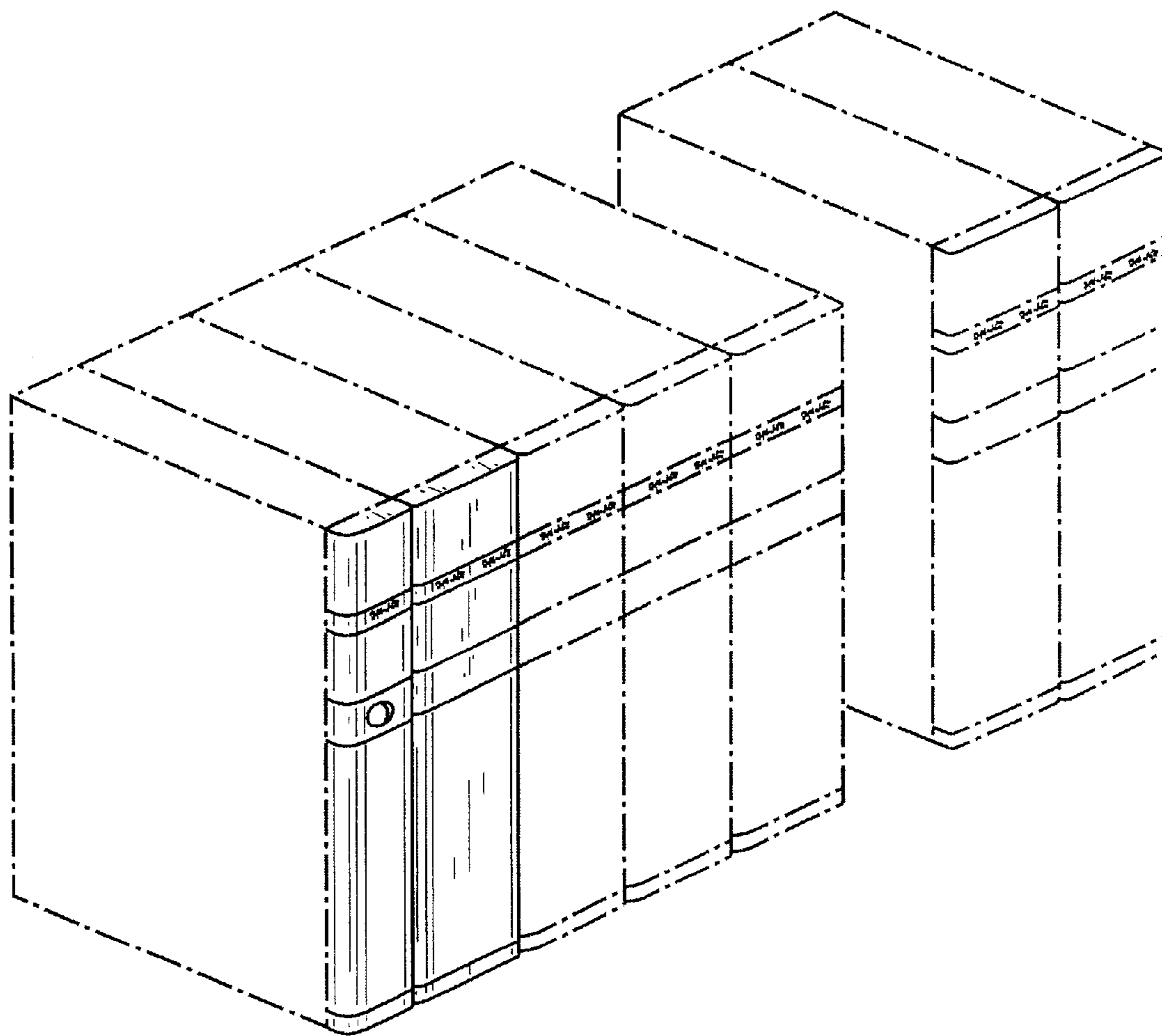


FIG. 2

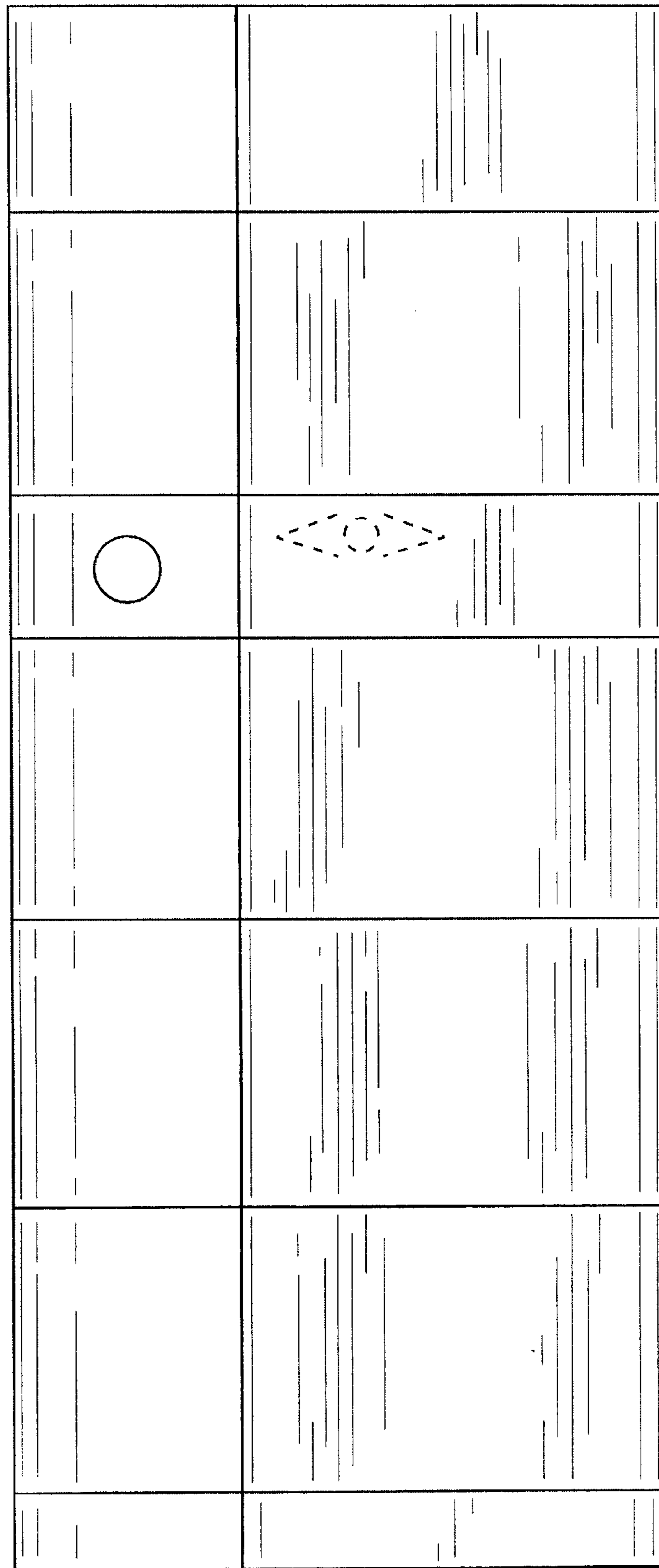


FIG. 3

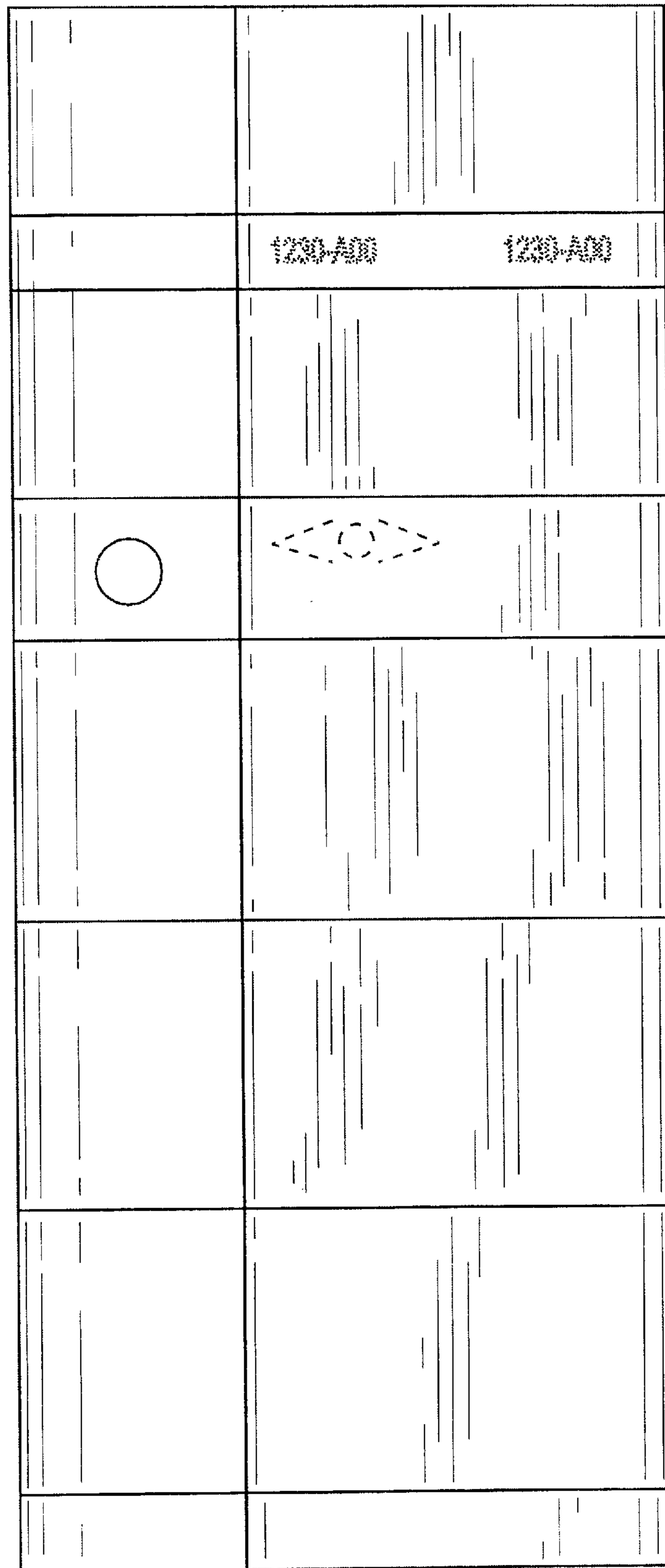


FIG. 4