



US00D538564S

(12) **United States Design Patent**
Johnson

(10) **Patent No.:** **US D538,564 S**

(45) **Date of Patent:** **** Mar. 20, 2007**

(54) **CHAIR ARM**

D492,520 S * 7/2004 Ho D6/501

(75) Inventor: **Scott Johnson**, Los Angeles, CA (US)

* cited by examiner

(73) Assignee: **True Seating Concepts, LLC** (MU)

Primary Examiner—Mimosa De

(74) *Attorney, Agent, or Firm*—Morland C. Fischer

(**) Term: **14 Years**

(57) **CLAIM**

(21) Appl. No.: **29/257,600**

The ornamental design for a chair arm, as shown and described.

(22) Filed: **Apr. 7, 2006**

DESCRIPTION

(51) **LOC (8) Cl.** **06-06**

(52) **U.S. Cl.** **D6/501; D6/366**

(58) **Field of Classification Search** D6/334-336,
D6/364, 365, 366, 367, 379, 491, 500-502;
297/411.2, 411.27, 411.28, 463.1

See application file for complete search history.

FIG. 1 is a perspective view showing the front, left side and top of a chair arm which forms my new design, the broken lines of a chair and an arm pad being for illustrative purposes only and forming no part of my design;

FIG. 2 is an enlarged left side elevational view thereof;

FIG. 3 is an enlarged top plan view thereof;

FIG. 4 is an enlarged right side elevational view thereof;

FIG. 5 is an enlarged bottom plan view thereof;

FIG. 6 is an enlarged front elevational view thereof;

FIG. 7 is an enlarged rear elevational view thereof; and,

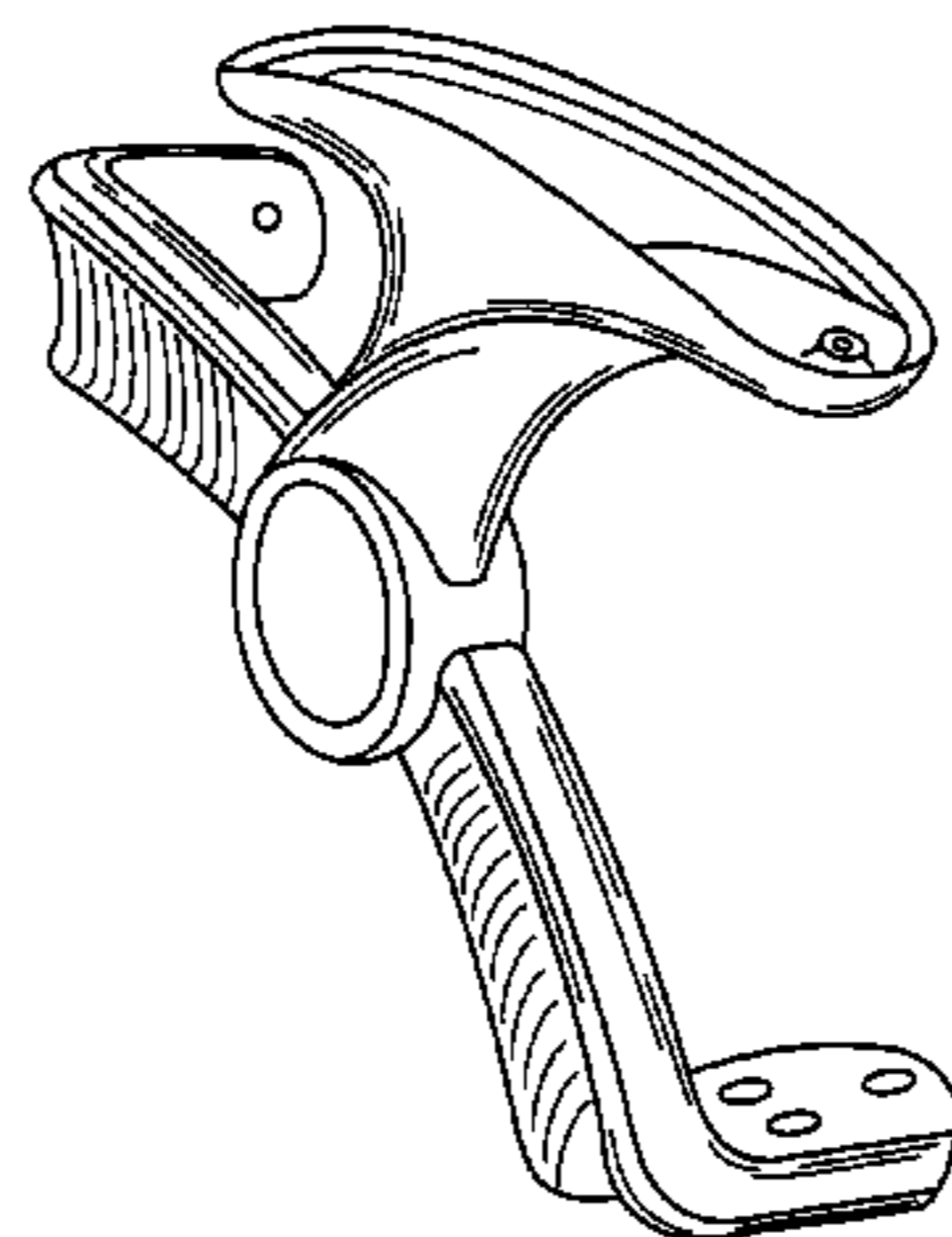
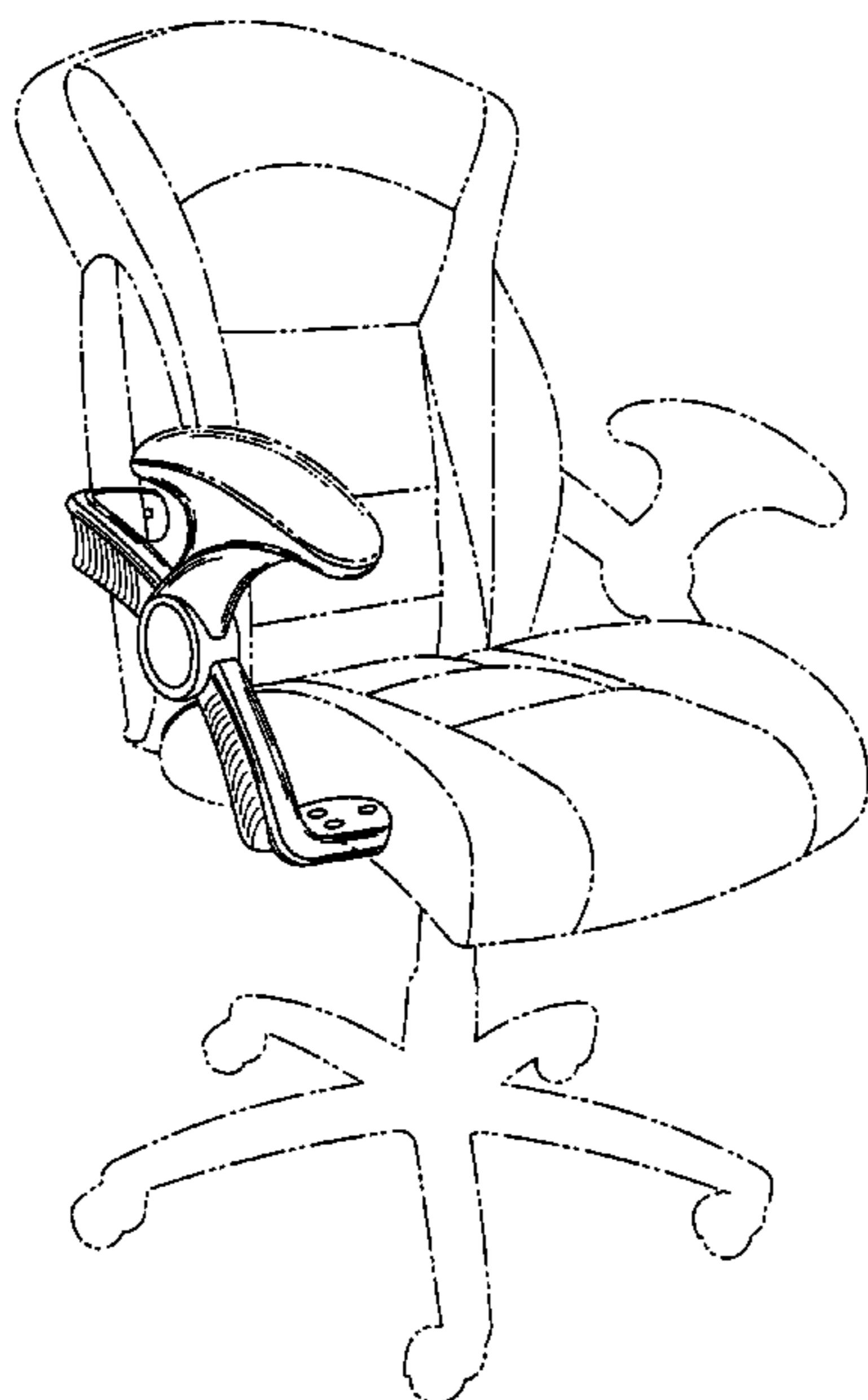
FIG. 8 is an enlarged perspective view showing the front, left side and top thereof.

(56) **References Cited**

U.S. PATENT DOCUMENTS

D330,478 S	*	10/1992	Wogoman et al.	D6/500
D373,274 S	*	9/1996	James	D6/501
D376,716 S	*	12/1996	Nemeth, Jr.	D6/501
6,572,194 B2	*	6/2003	True	297/411.2
D482,220 S	*	11/2003	Grove	D6/501

1 Claim, 4 Drawing Sheets



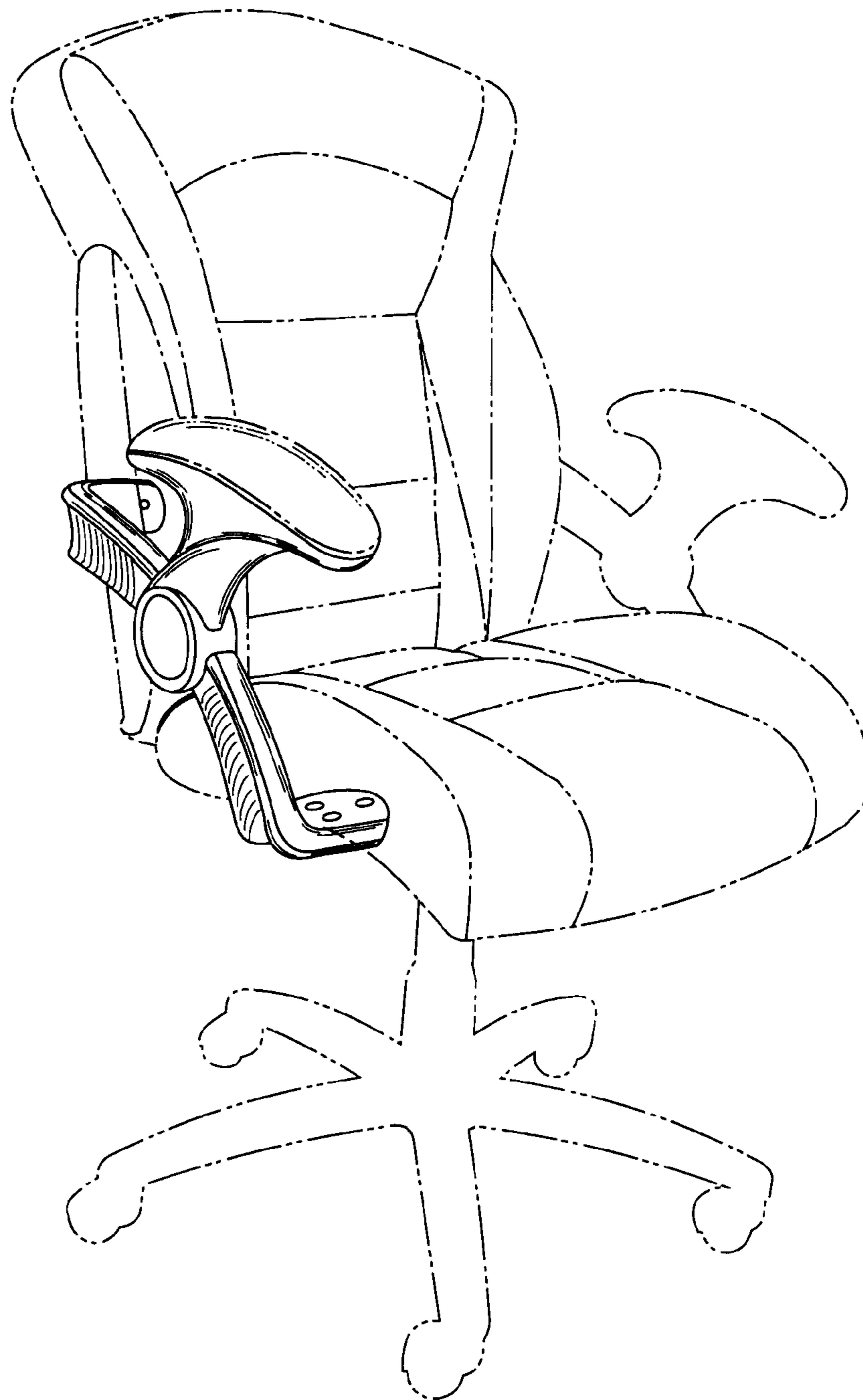


FIG. 1

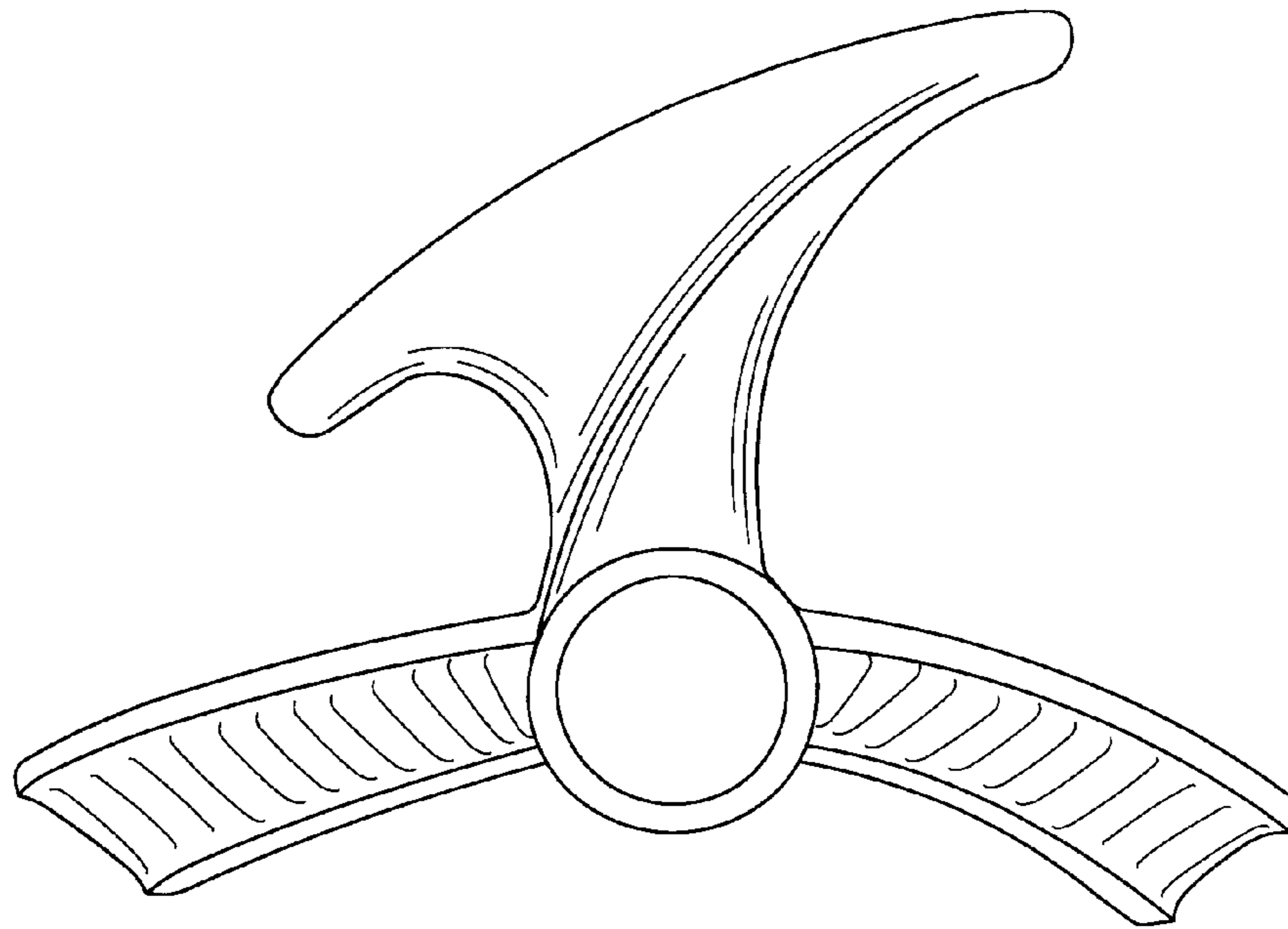


FIG. 2

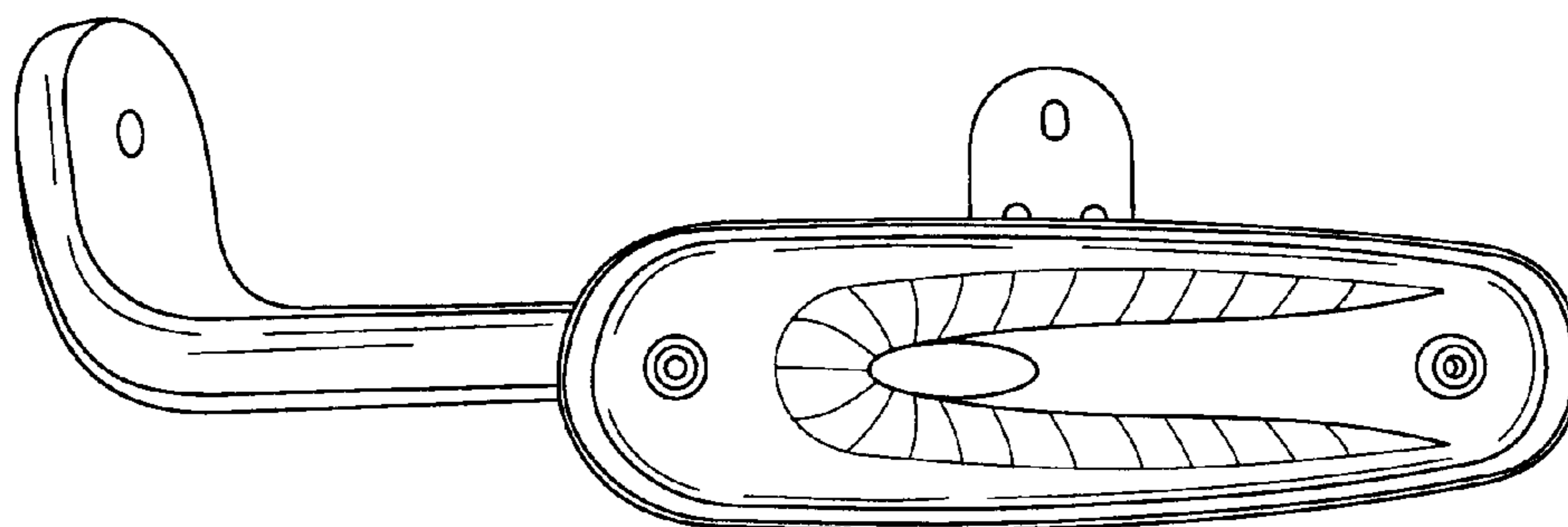


FIG. 3

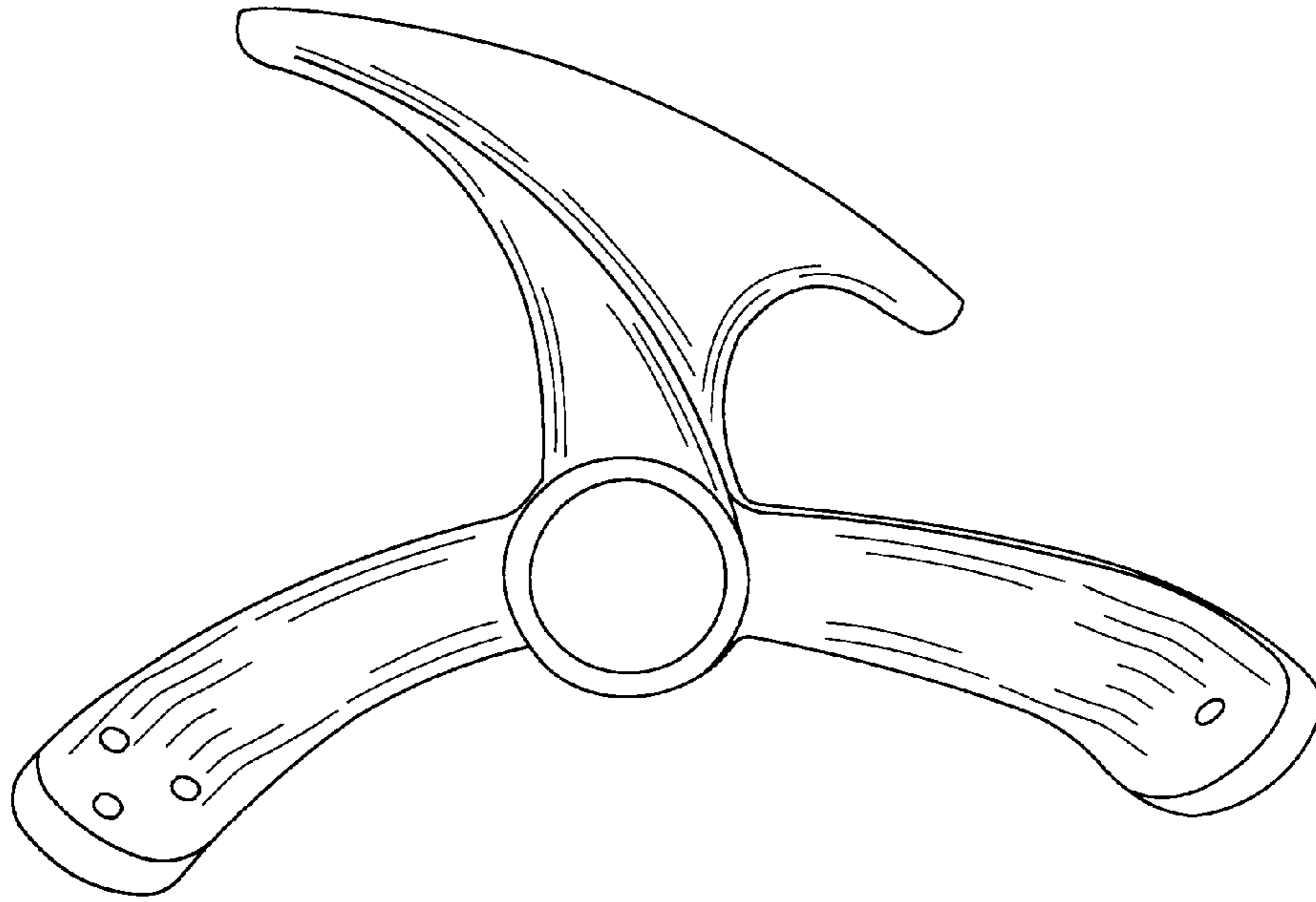


FIG. 4

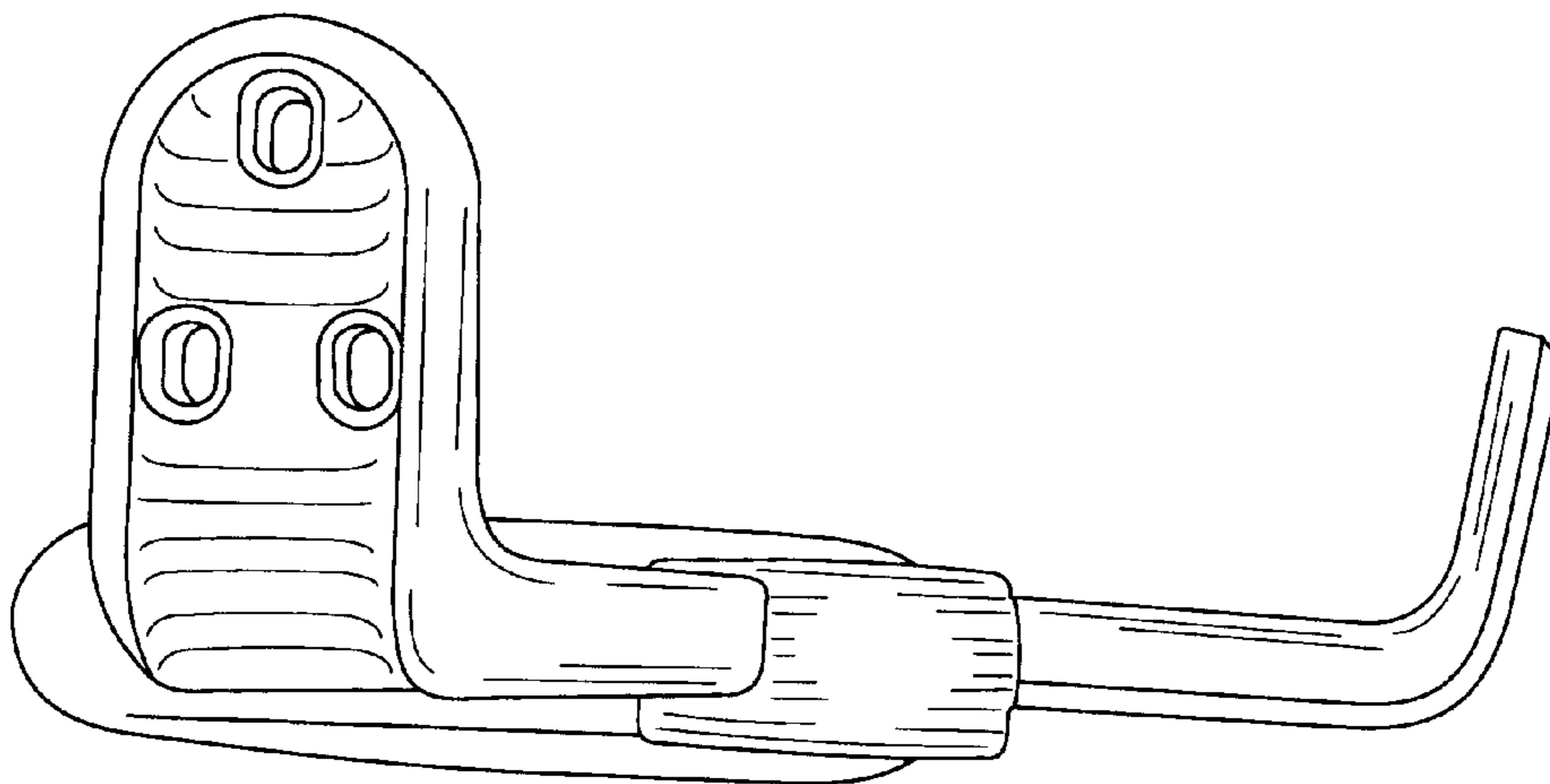


FIG. 5

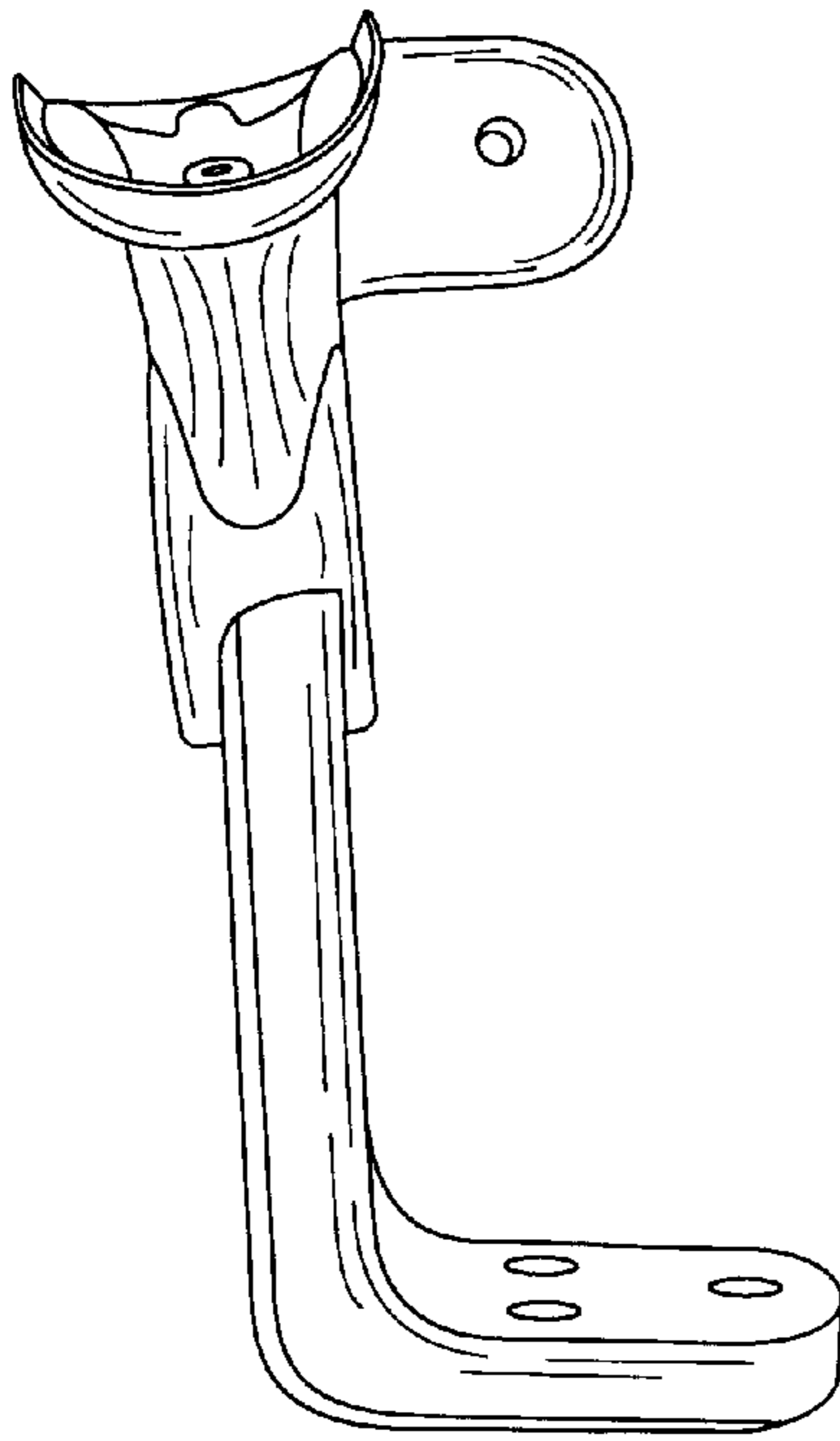


FIG. 6

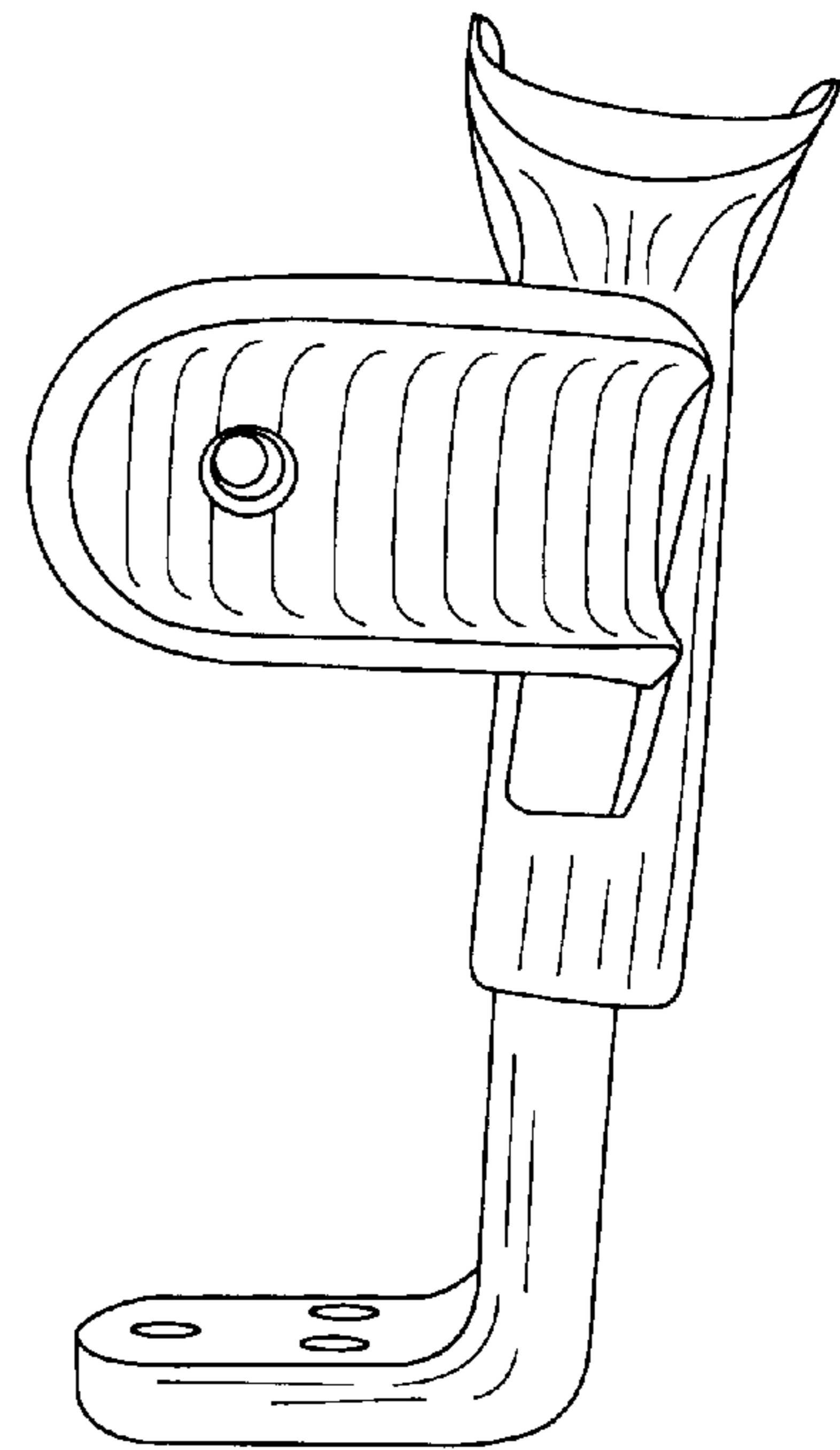


FIG. 7

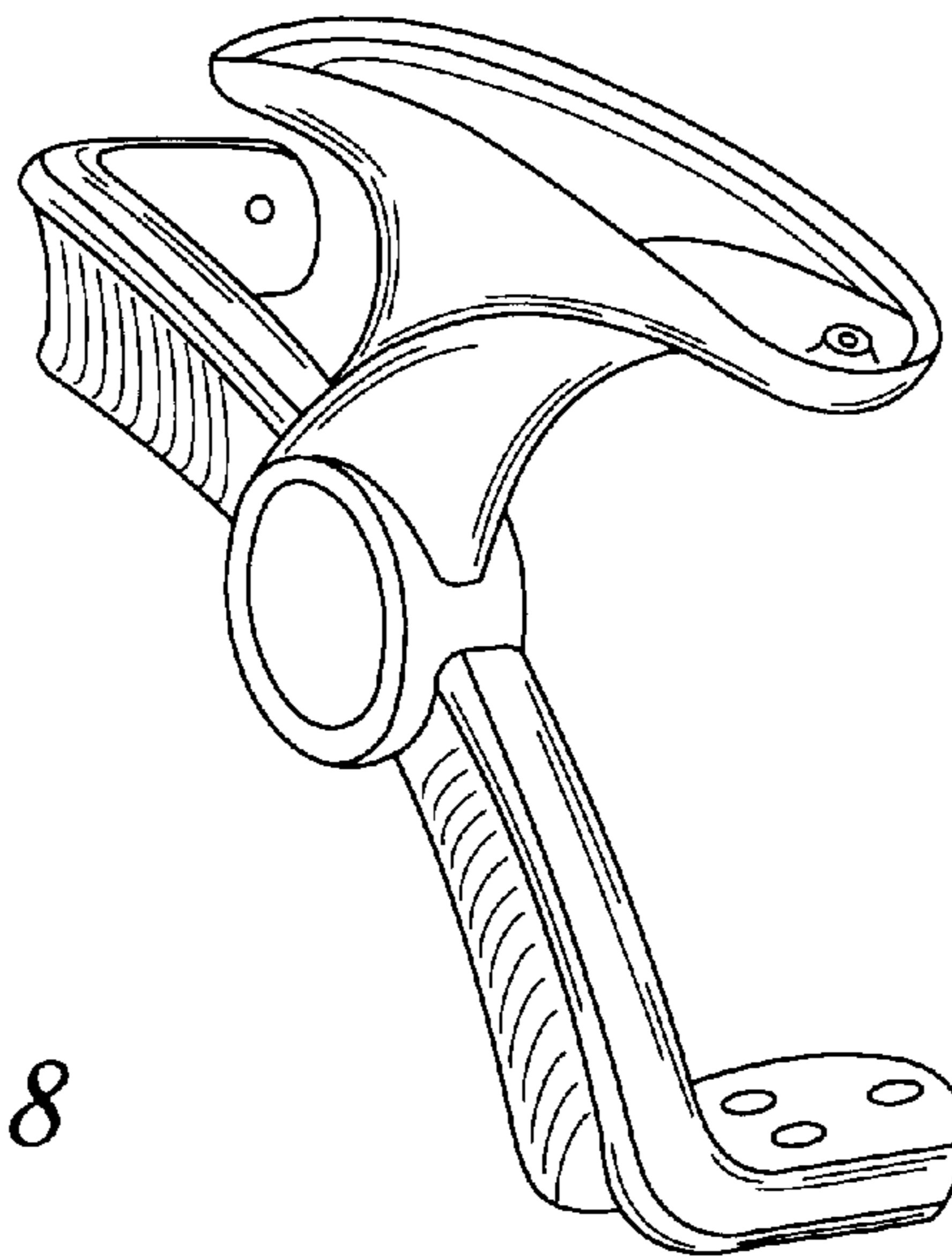


FIG. 8