

US00D538563S

(12) **United States Design Patent**
Smith

(10) **Patent No.:** **US D538,563 S**

(45) **Date of Patent:** **** Mar. 20, 2007**

(54) **CHAIR ARM**

(75) Inventor: **Ray G. Smith**, Los Angeles, CA (US)

(73) Assignee: **True Seating Concepts, LLC** (MU)

(**) Term: **14 Years**

(21) Appl. No.: **29/256,280**

(22) Filed: **Mar. 20, 2006**

(51) **LOC (8) Cl.** **06-06**

(52) **U.S. Cl.** **D6/501; D6/366**

(58) **Field of Classification Search** D6/334-336,
D6/364, 365, 366, 367, 379, 491, 500-502;
297/411.2, 411.27, 411.28, 411.36, 411.37,
297/463.1

See application file for complete search history.

(56) **References Cited**

U.S. PATENT DOCUMENTS

| | | | | | |
|------------|---|---------|----------------|-------|--------|
| D312,002 S | * | 11/1990 | Carter et al. | | D6/366 |
| D386,920 S | * | 12/1997 | Neil | | D6/501 |
| D393,384 S | * | 4/1998 | Tedesco et al. | | D6/501 |
| D436,260 S | * | 1/2001 | Nagamitsu | | D6/366 |
| D440,437 S | * | 4/2001 | Beaulieu | | D6/501 |
| D459,922 S | * | 7/2002 | Lee | | D6/501 |
| D461,077 S | * | 8/2002 | Lee | | D6/501 |
| D471,388 S | * | 3/2003 | Wang | | D6/501 |

| | | | | | |
|------------|---|--------|-----------|-------|--------|
| D476,493 S | * | 7/2003 | Nagamitsu | | D6/366 |
| D487,359 S | * | 3/2004 | Giugiaro | | D6/366 |
| D489,542 S | * | 5/2004 | Giugiaro | | D6/366 |
| D505,815 S | * | 6/2005 | Grove | | D6/501 |

* cited by examiner

Primary Examiner—Mimosa De

(74) *Attorney, Agent, or Firm*—Morland C. Fischer

(57) **CLAIM**

The ornamental design for a chair arm, as shown and described.

DESCRIPTION

FIG. 1 is a perspective view showing the front, left side and top of a chair arm which forms my new design, the broken lines of a chair and an arm pad being for illustrative purposes only and forming no part of my design;

FIG. 2 is an enlarged left side elevational view thereof;

FIG. 3 is an enlarged top plan view thereof;

FIG. 4 is an enlarged right side elevational view thereof;

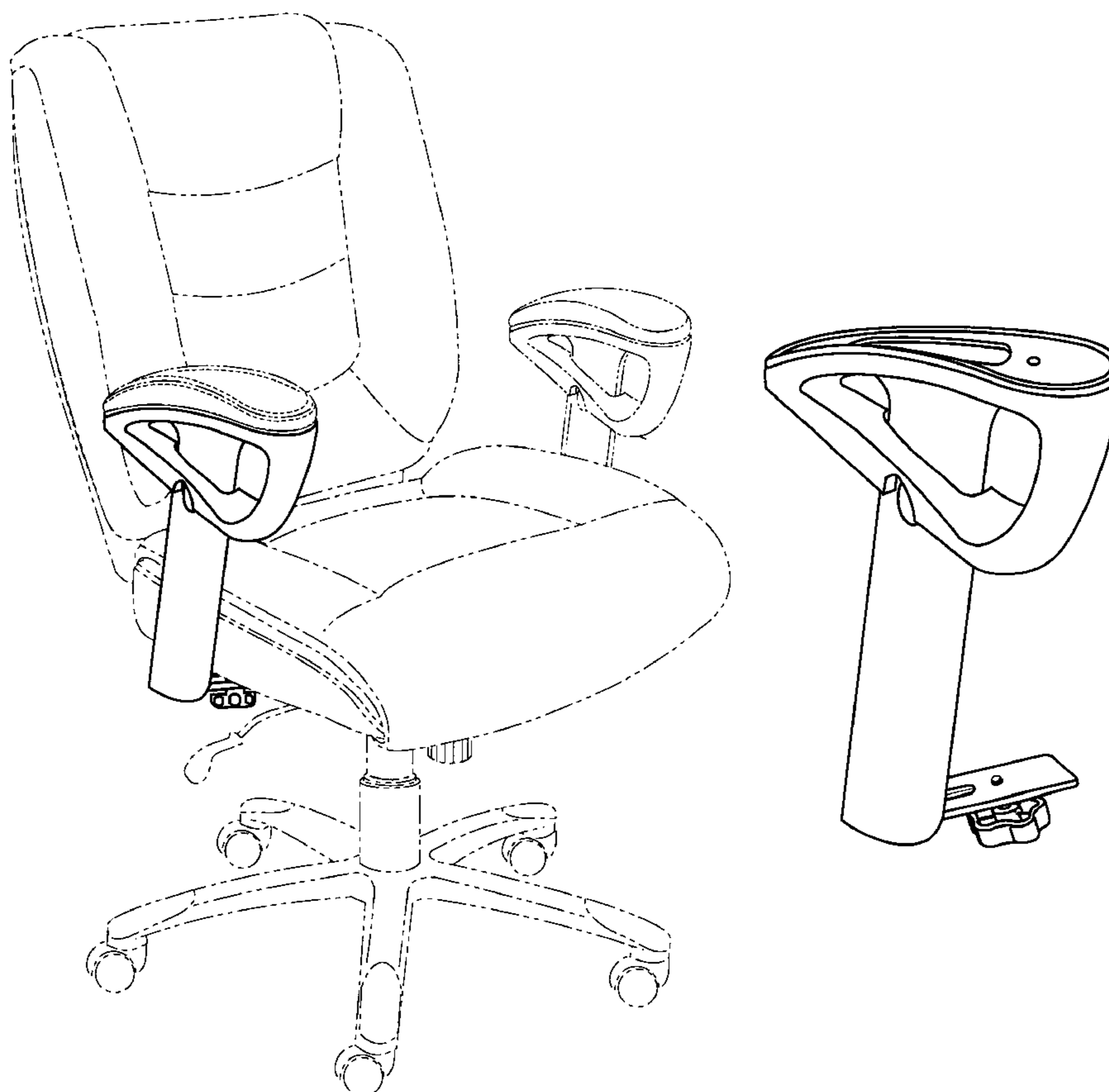
FIG. 5 is an enlarged bottom plan view thereof;

FIG. 6 is an enlarged front elevational view thereof;

FIG. 7 is an enlarged rear elevational view thereof; and,

FIG. 8 is an enlarged perspective view showing the top, left side, and front thereof.

1 Claim, 4 Drawing Sheets



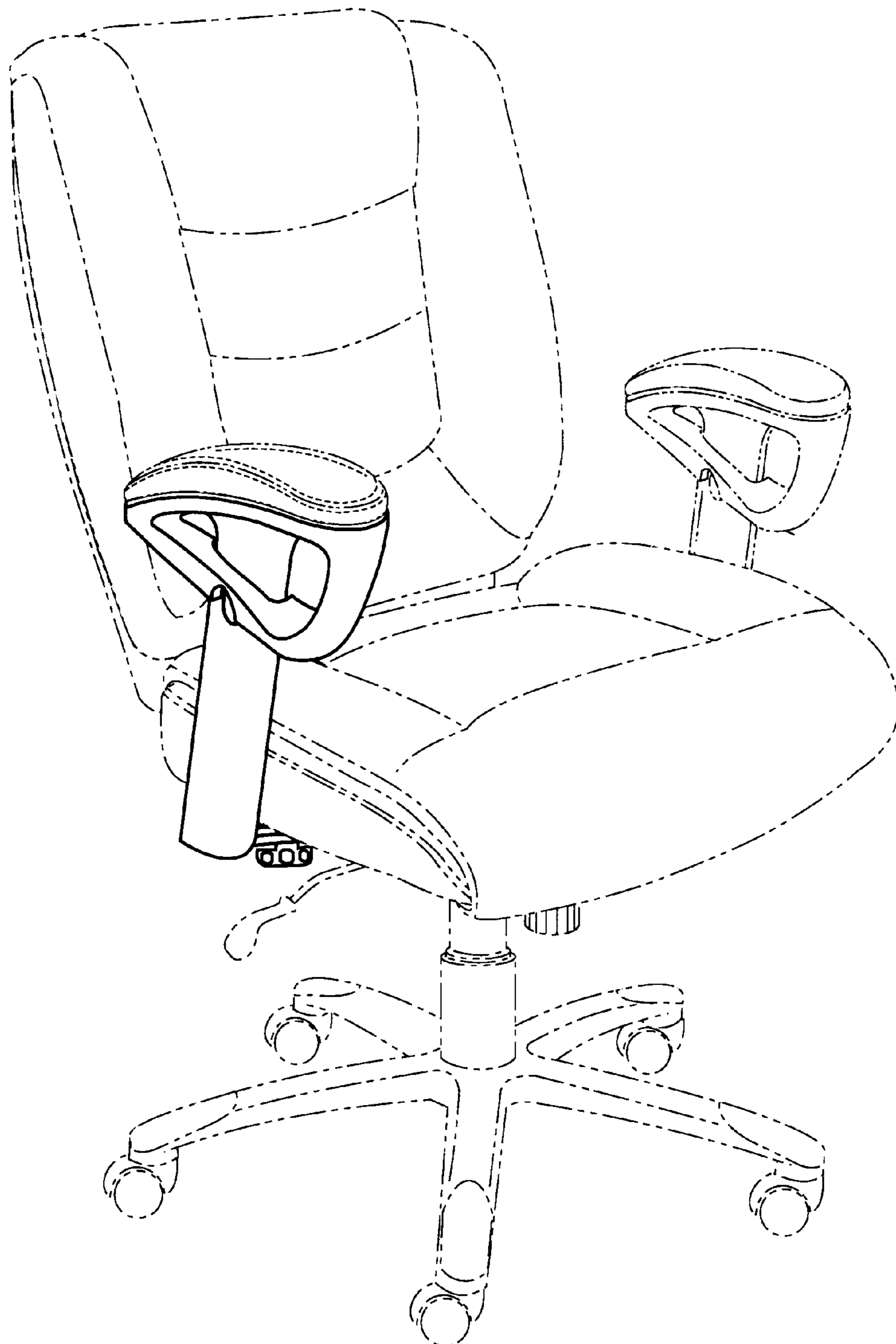


FIG. 1

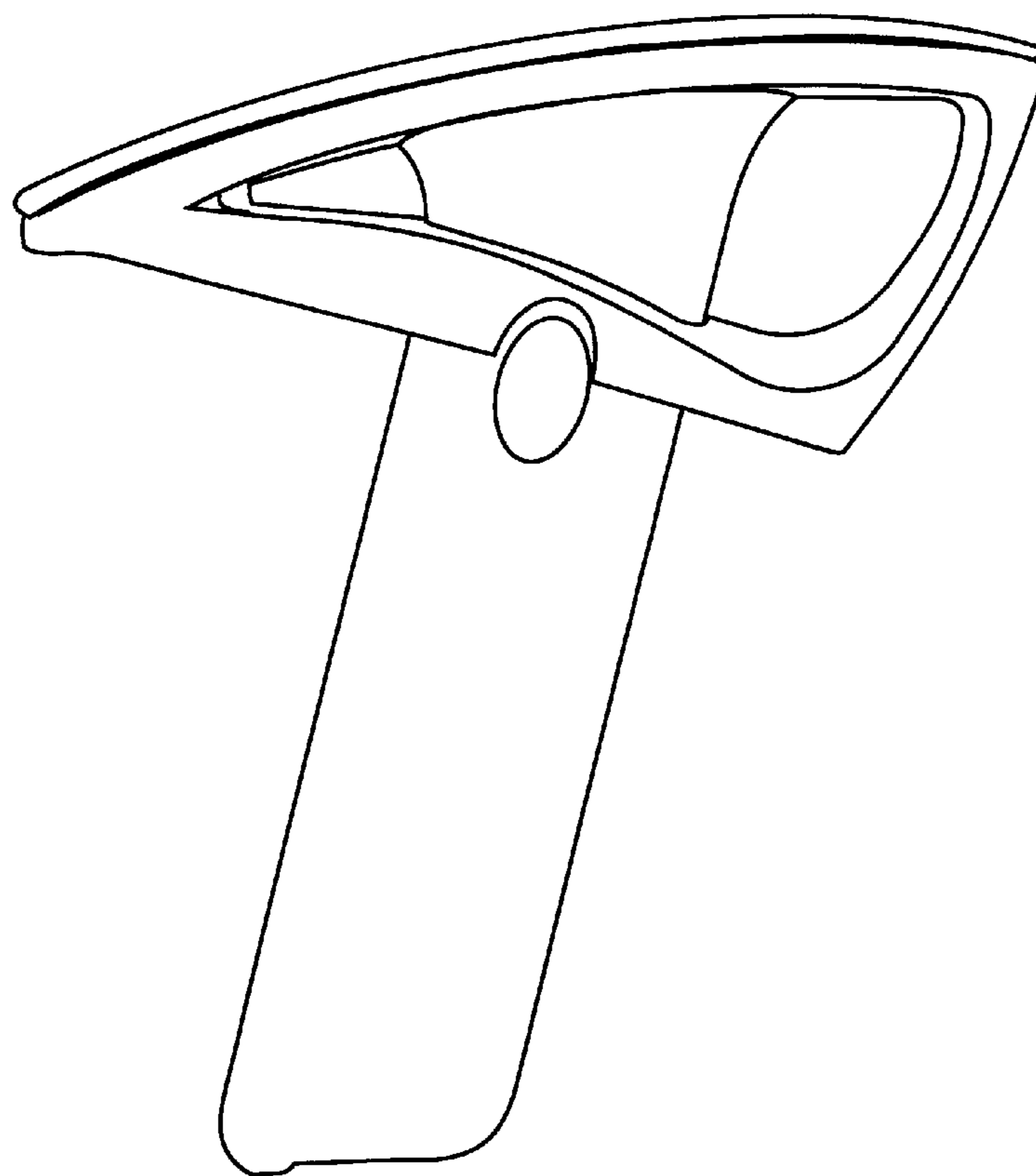


FIG. 2

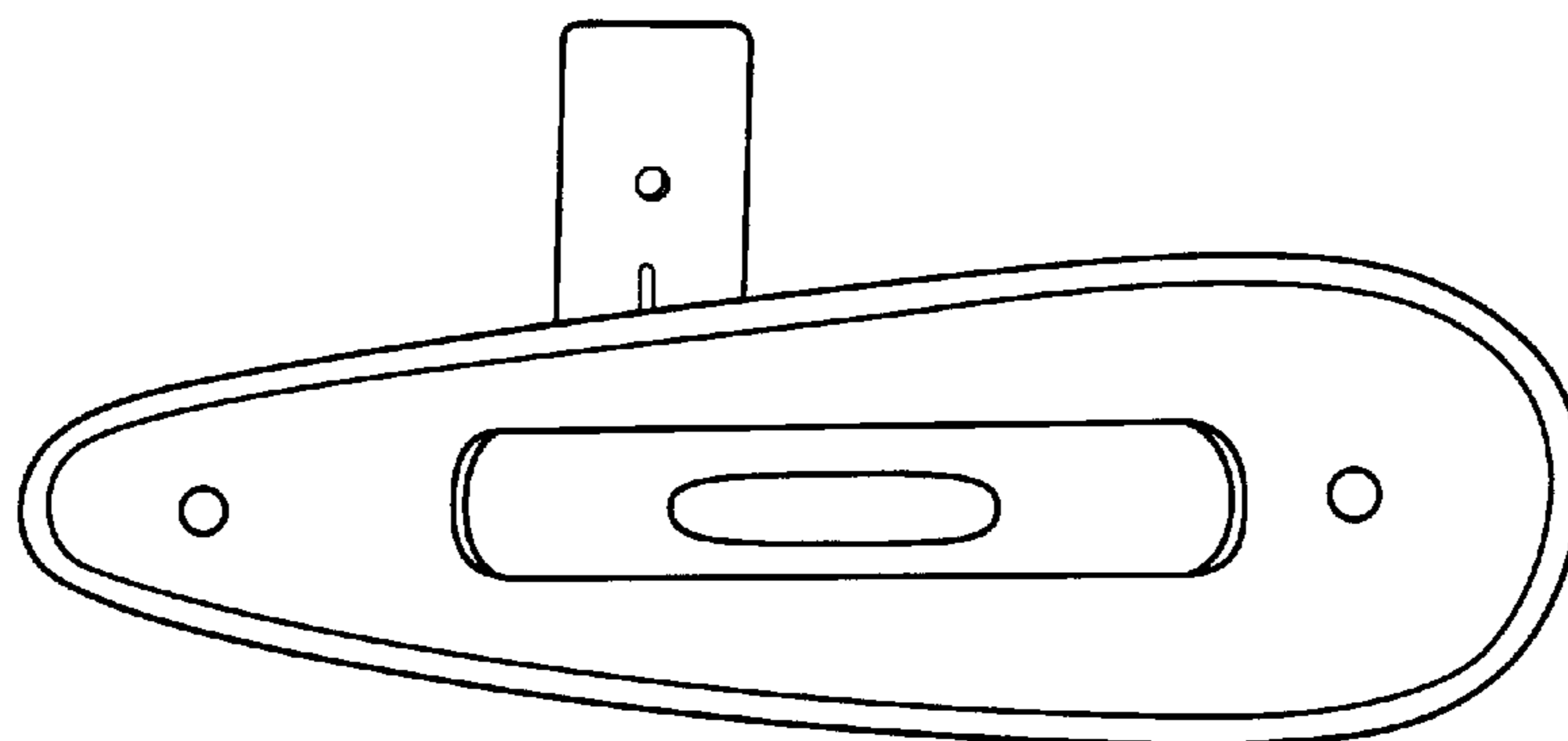


FIG. 3

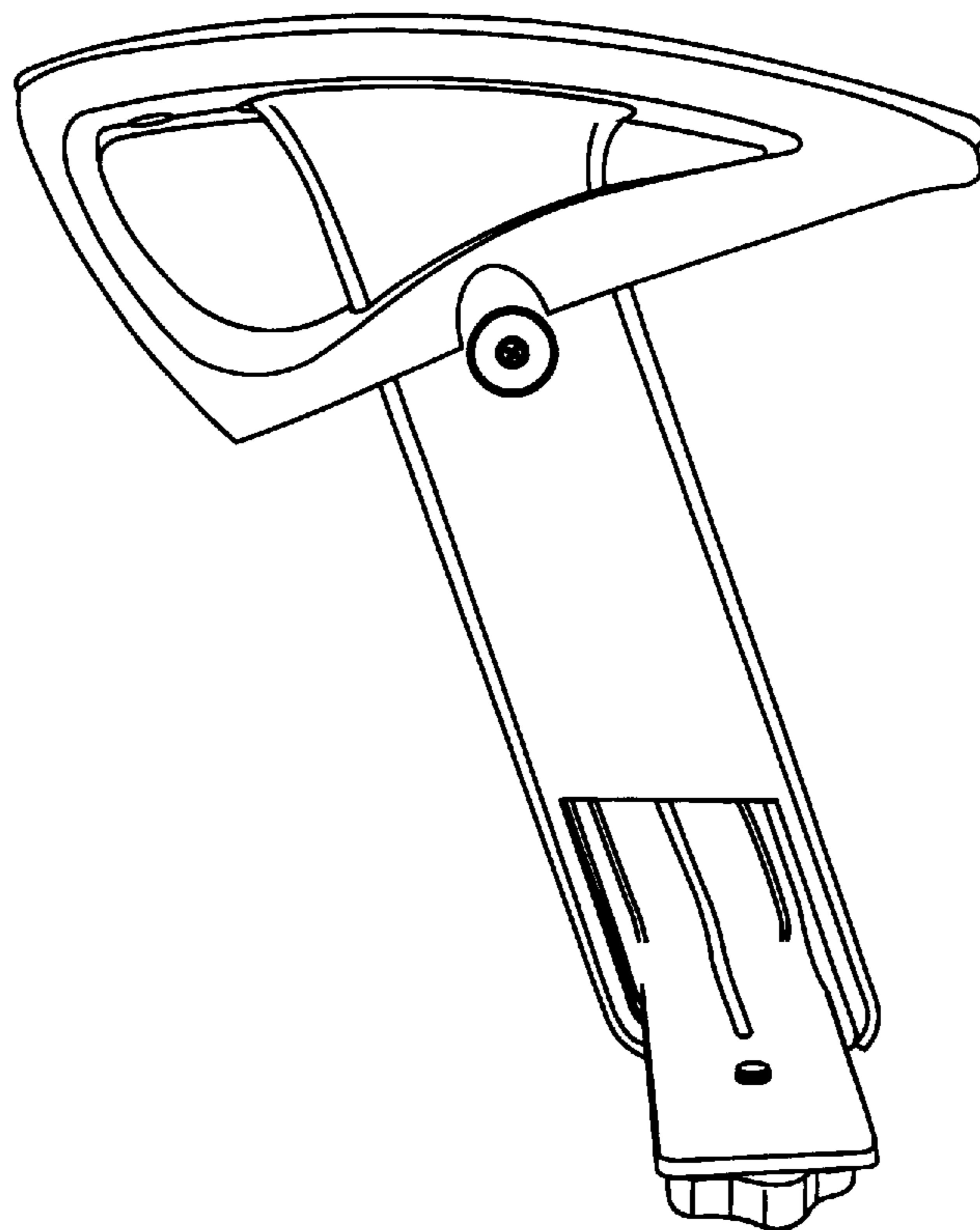


FIG. 4

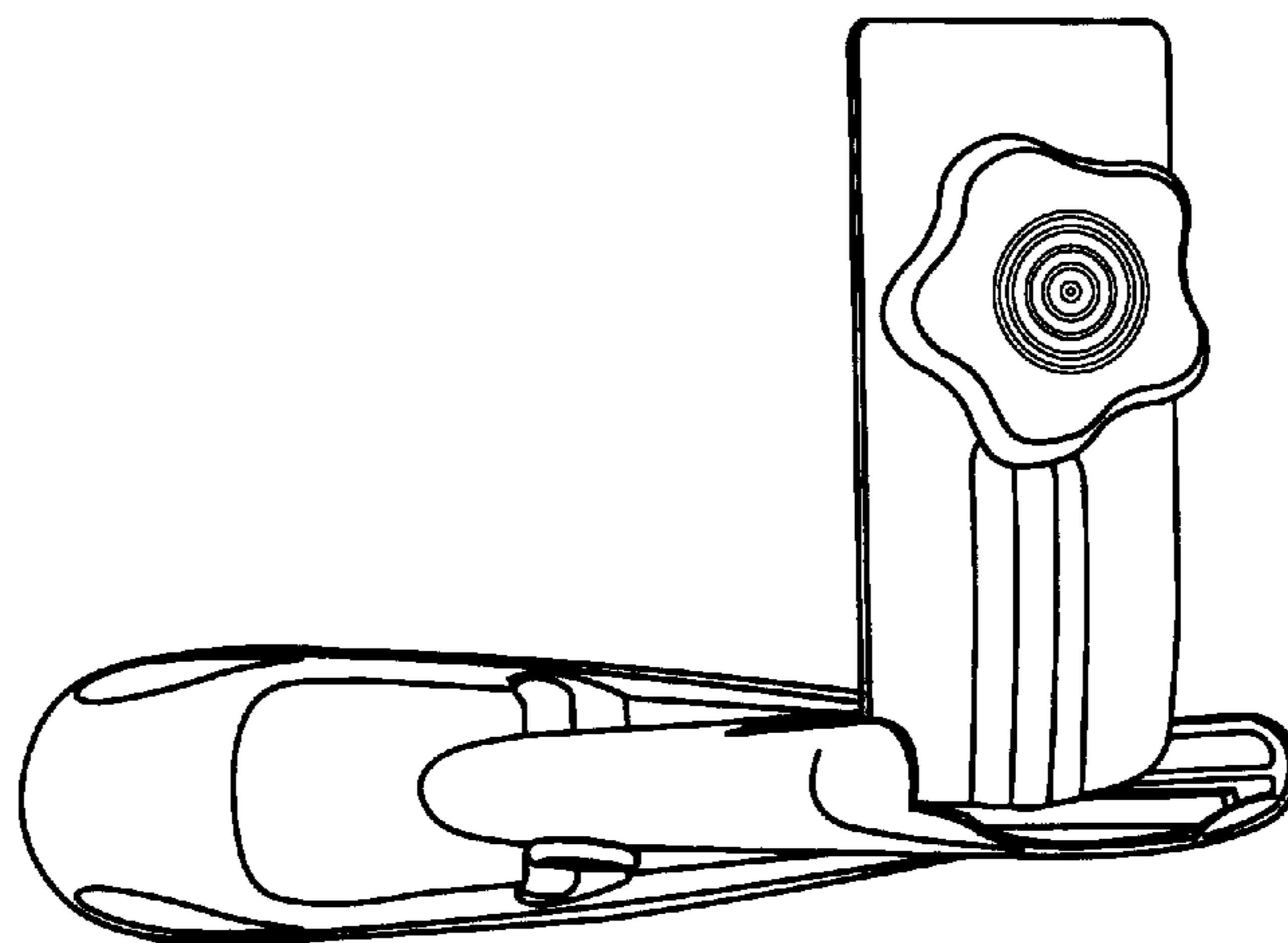


FIG. 5

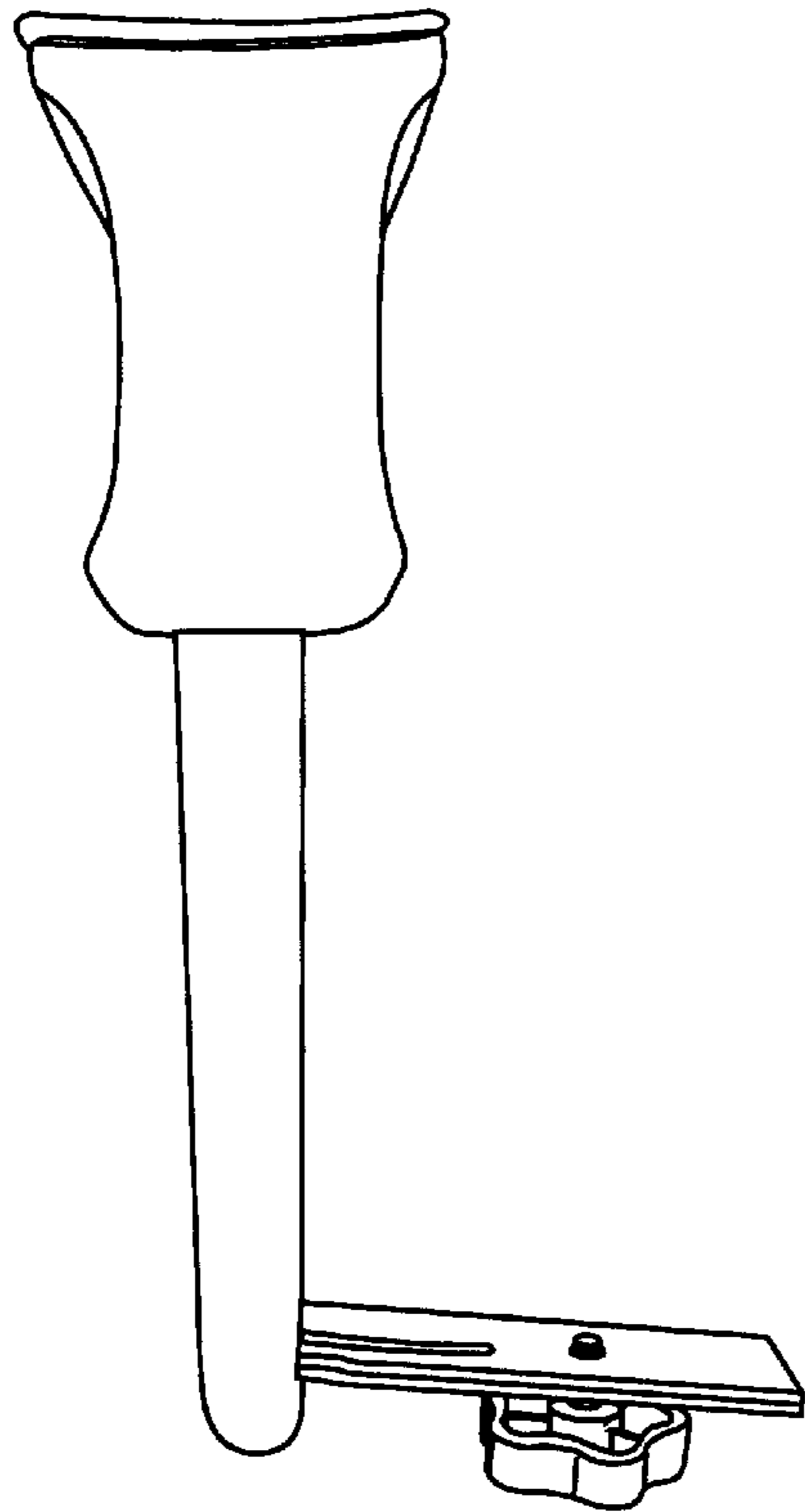


FIG. 6

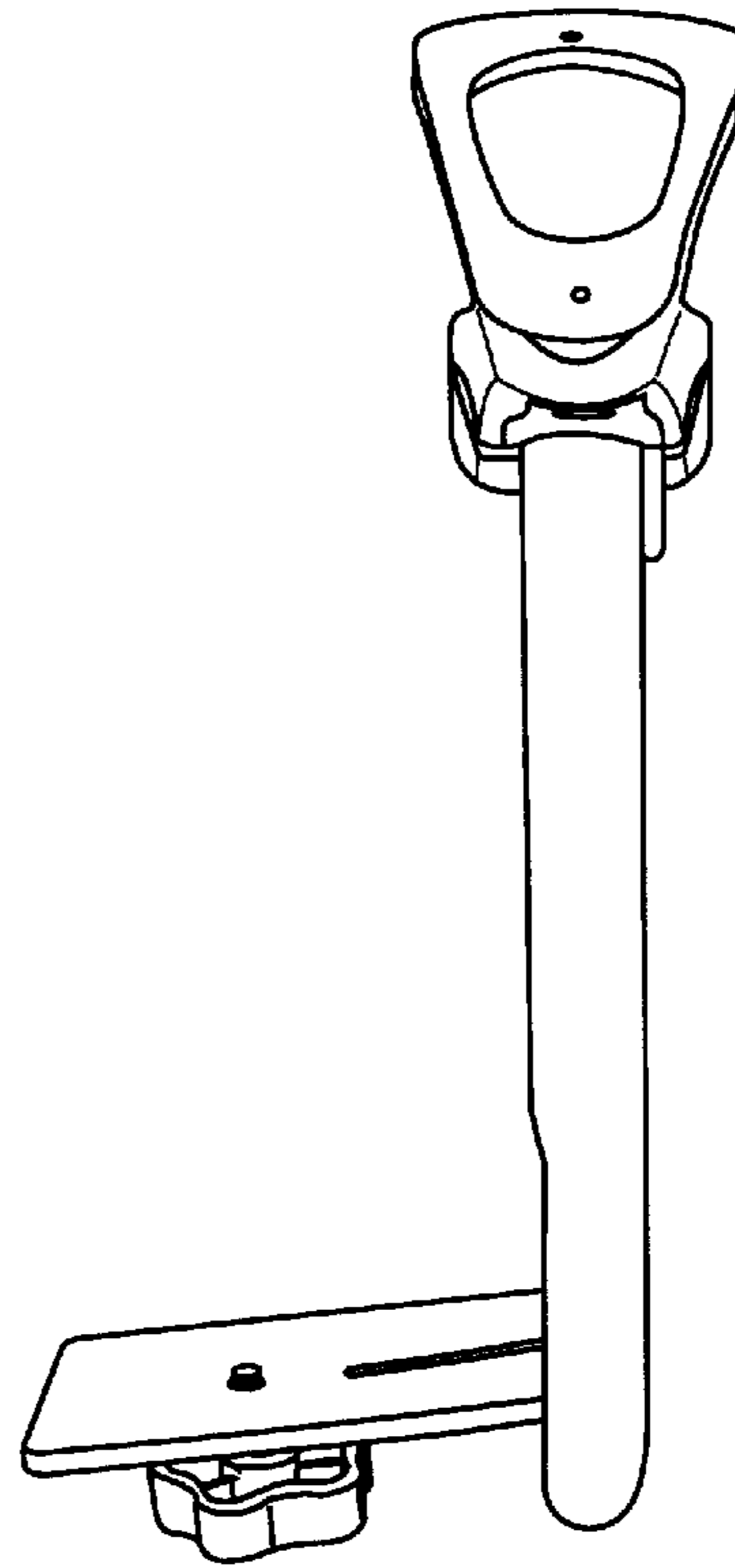


FIG. 7

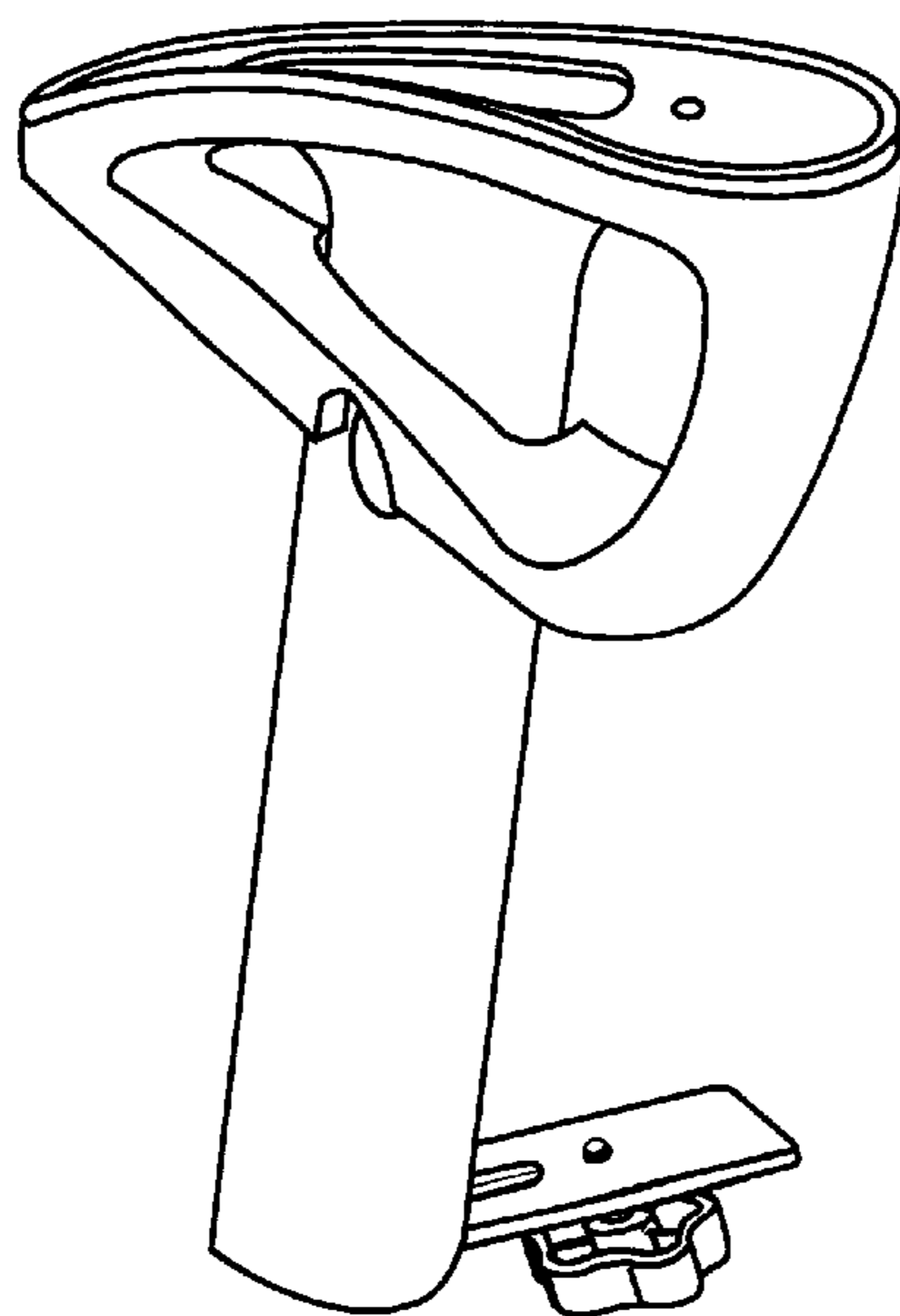


FIG. 8