



US00D538560S

(12) **United States Design Patent**
Egger

(10) **Patent No.:** **US D538,560 S**

(45) **Date of Patent:** **** Mar. 20, 2007**

(54) **CHAIR ARM**

D506,627 S * 6/2005 Bock D6/501
D509,085 S * 9/2005 Egger D6/501

(75) Inventor: **Julien Egger**, Santa Monica, CA (US)

* cited by examiner

(73) Assignee: **True Seating Concepts, LLC** (MU)

Primary Examiner—Mimosa De

(**) Term: **14 Years**

(74) *Attorney, Agent, or Firm*—Morland C. Fischer

(21) Appl. No.: **29/222,214**

(57) **CLAIM**

(22) Filed: **Jan. 28, 2005**

The ornamental design for a chair arm, as shown and described.

(51) **LOC (8) Cl.** **06-06**

DESCRIPTION

(52) **U.S. Cl.** **D6/501; D6/366**

(58) **Field of Classification Search** D6/334-335,
D6/364, 365, 366, 367, 368, 374, 500-502;
297/411.2, 411.27, 411.28, 463.1

See application file for complete search history.

FIG. 1 is a perspective view showing the top, right side and front of a chair arm which forms my new design, the broken lines in this and other figures being for illustrative purposes only and forming no part of my design;

FIG. 2 is an enlarged perspective view showing the top, right side and front of my chair arm;

FIG. 3 is a top plan view thereof;

FIG. 4 is a bottom plan view thereof;

FIG. 5 is a right side elevational view thereof;

FIG. 6 is a left side elevational view thereof;

FIG. 7 is a front elevational view;

FIG. 8 is a rear elevational view thereof;

FIG. 9 is a cross-section thereof taken along lines 9-9 of FIG. 6; and,

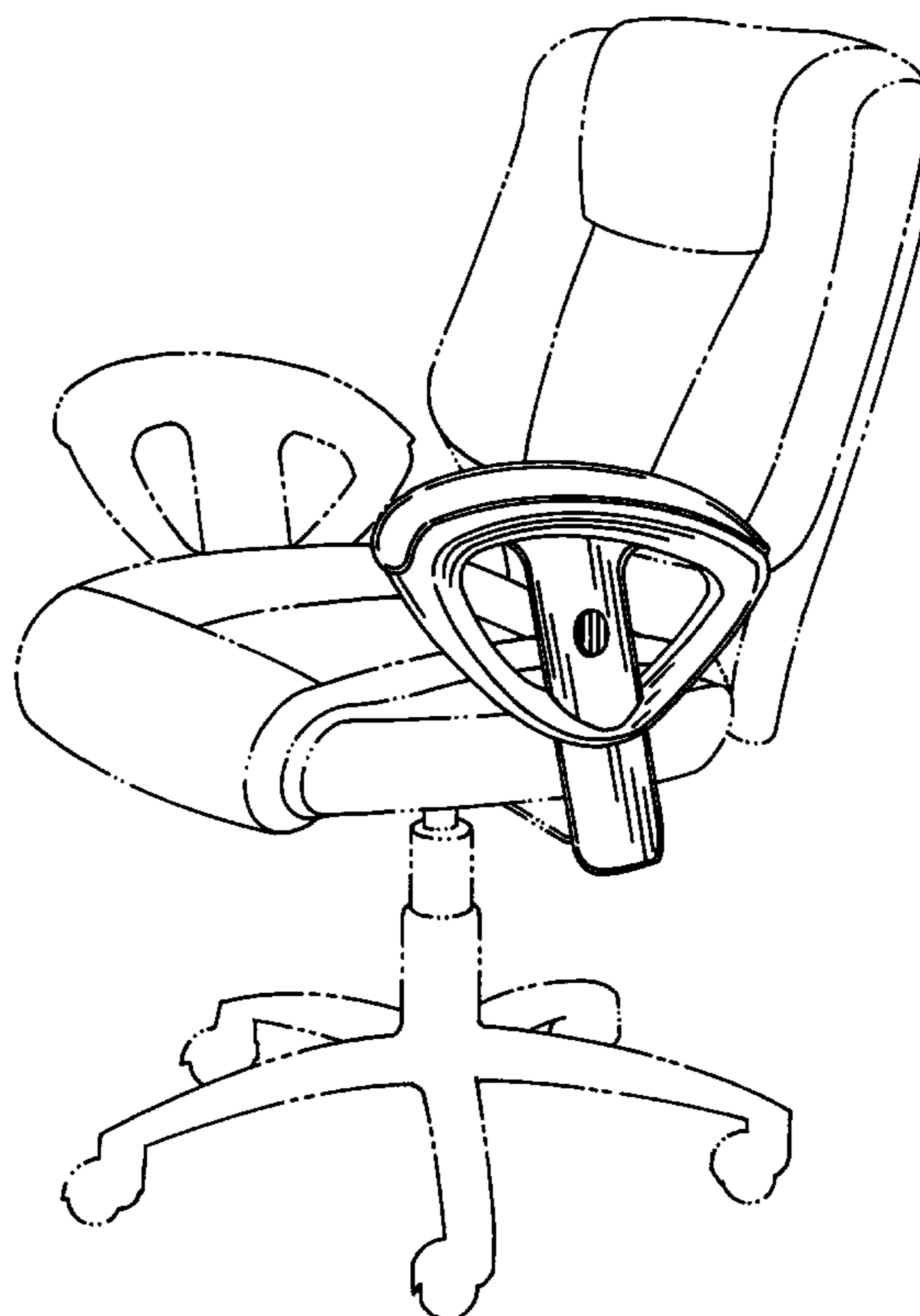
FIG. 10 is a cross-section thereof taken along lines 10-10 of FIG. 6.

(56) **References Cited**

U.S. PATENT DOCUMENTS

D386,920 S	*	12/1997	Neil	D6/501
D393,384 S	*	4/1998	Tedesco et al.	D6/501
D413,215 S	*	8/1999	Mei	D6/501
D424,846 S	*	5/2000	Ho	D6/366
D431,402 S	*	10/2000	Wang	D6/501
D442,401 S	*	5/2001	Su	D6/501
D459,922 S	*	7/2002	Lee	D6/366
D461,077 S	*	8/2002	Lee	D6/501
D468,140 S	*	1/2003	Tsai	D6/366
D504,792 S	*	5/2005	Egger	D6/366
D505,283 S	*	5/2005	Egger	D6/501

1 Claim, 5 Drawing Sheets



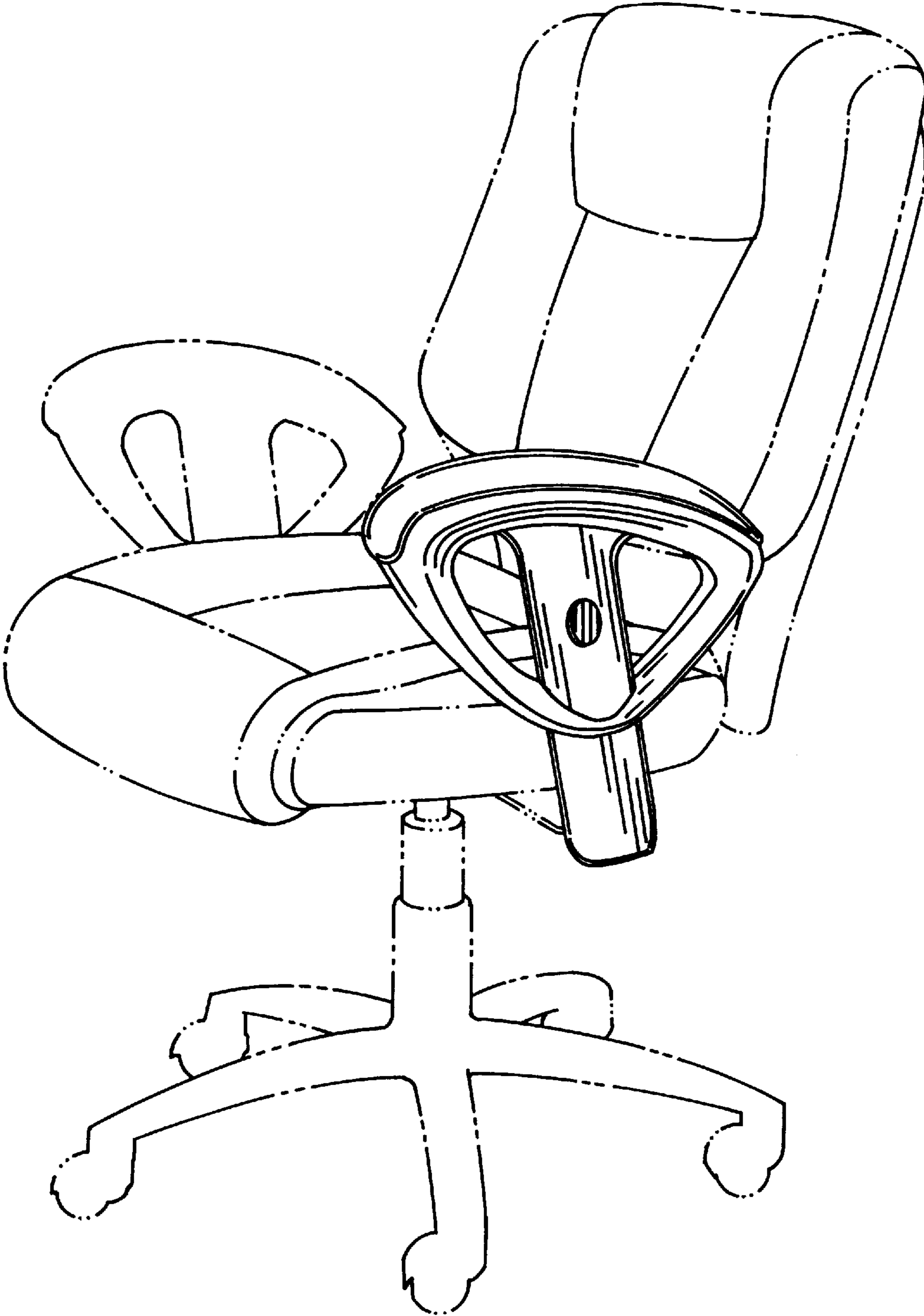


FIG. 1

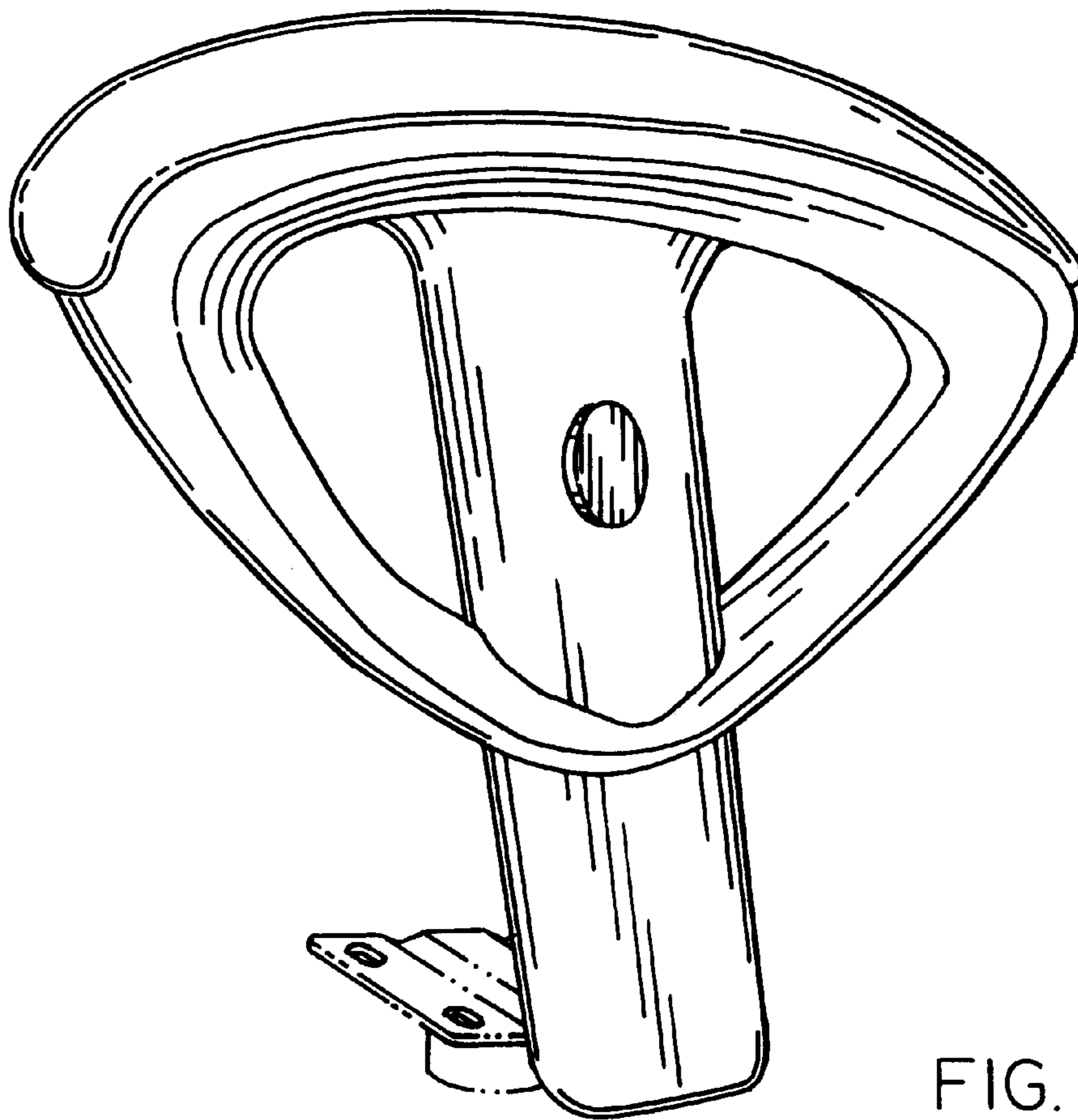


FIG. 2

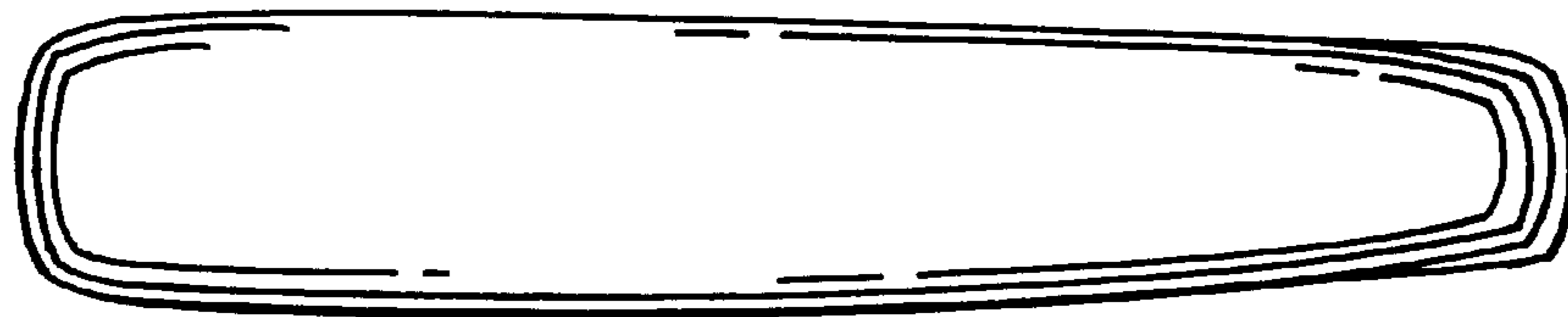


FIG. 3

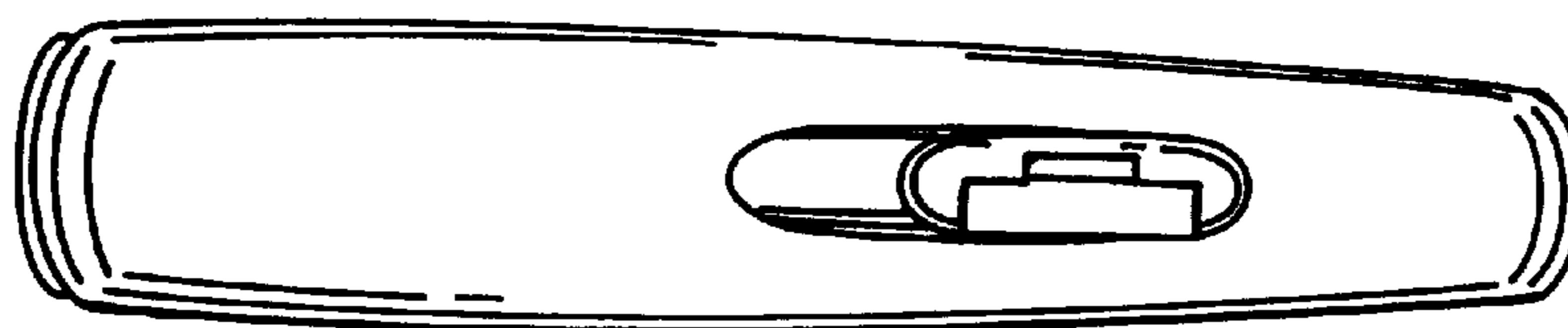


FIG. 4

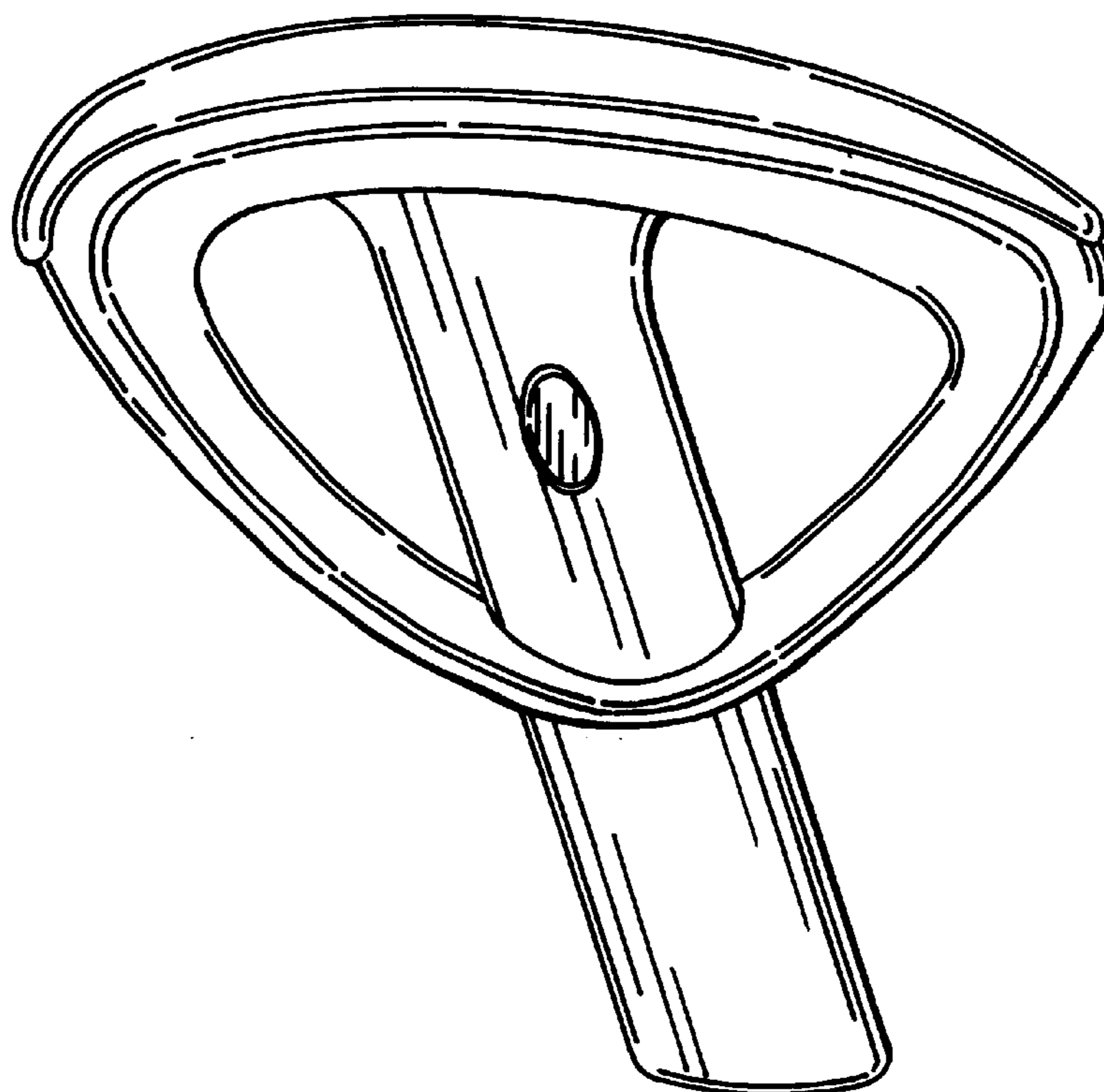


FIG. 5

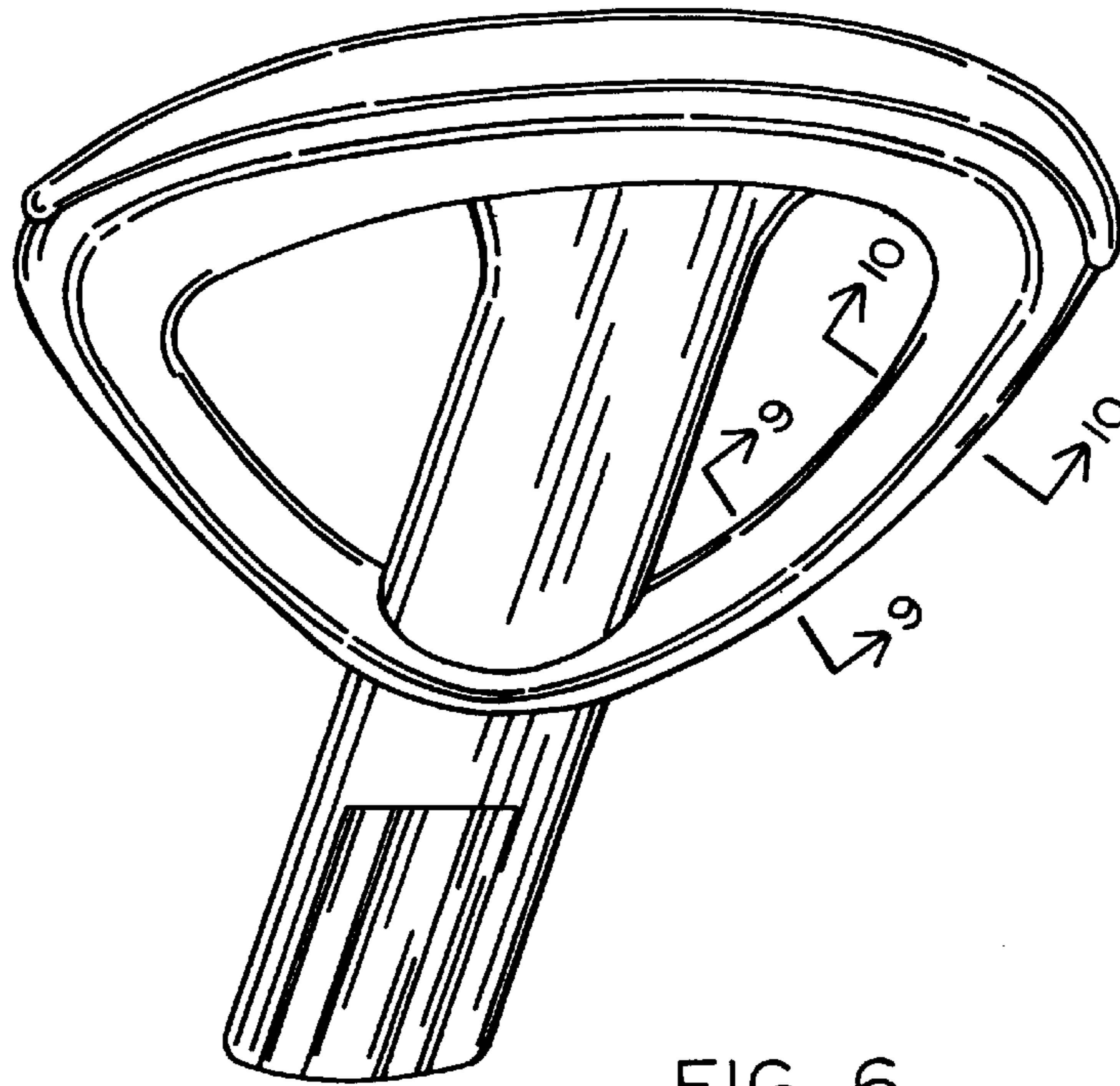


FIG. 6

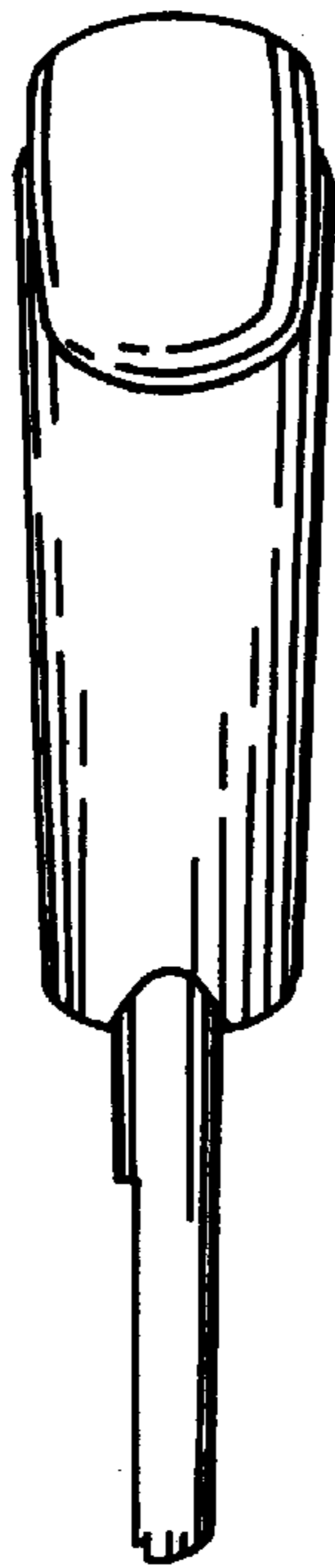


FIG. 7

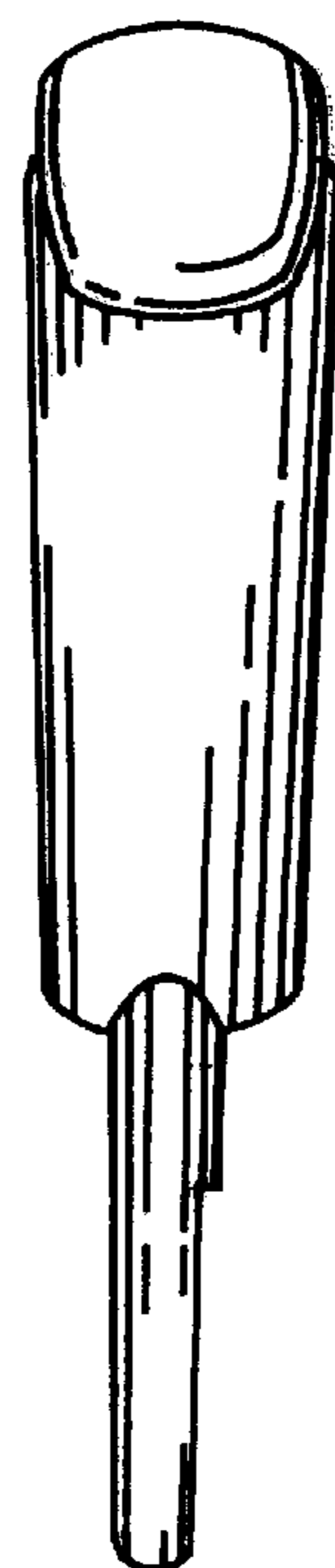


FIG. 8

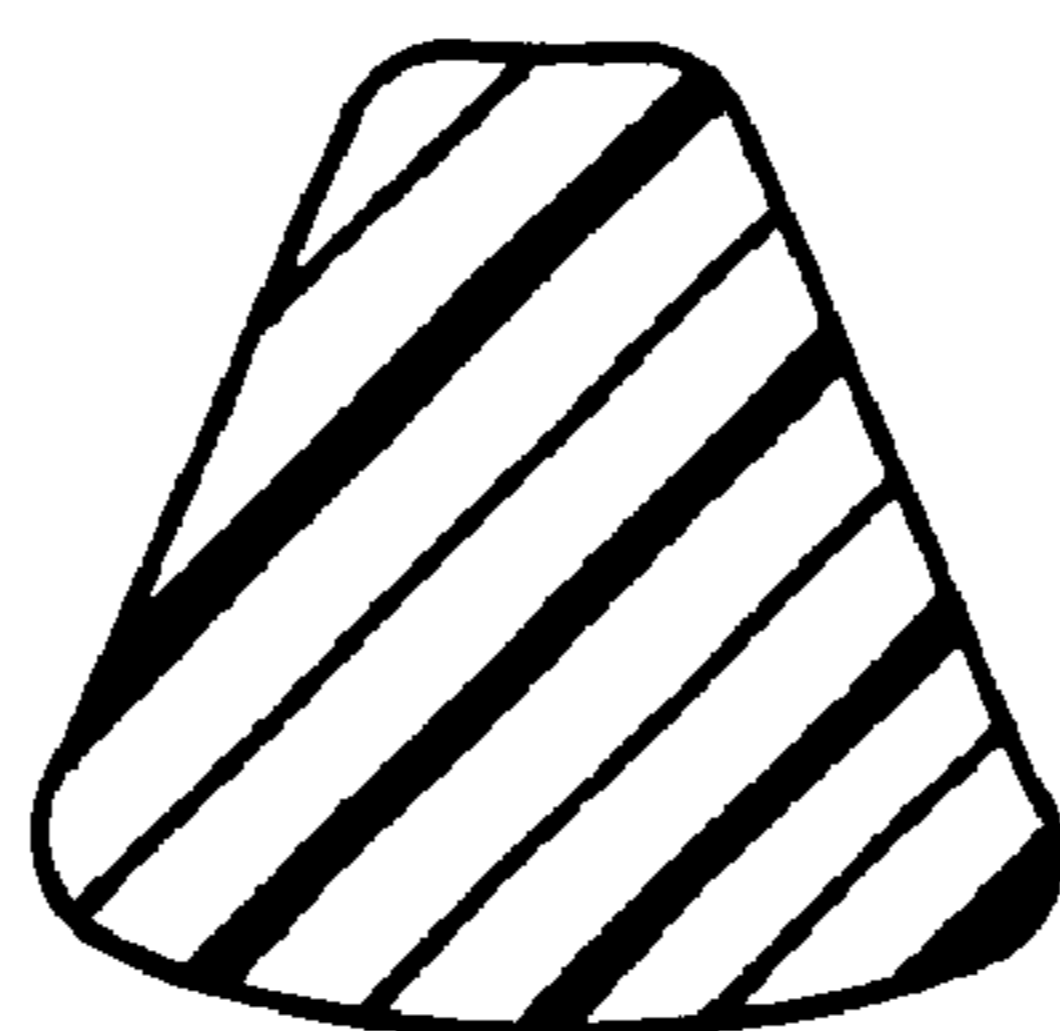


FIG. 9

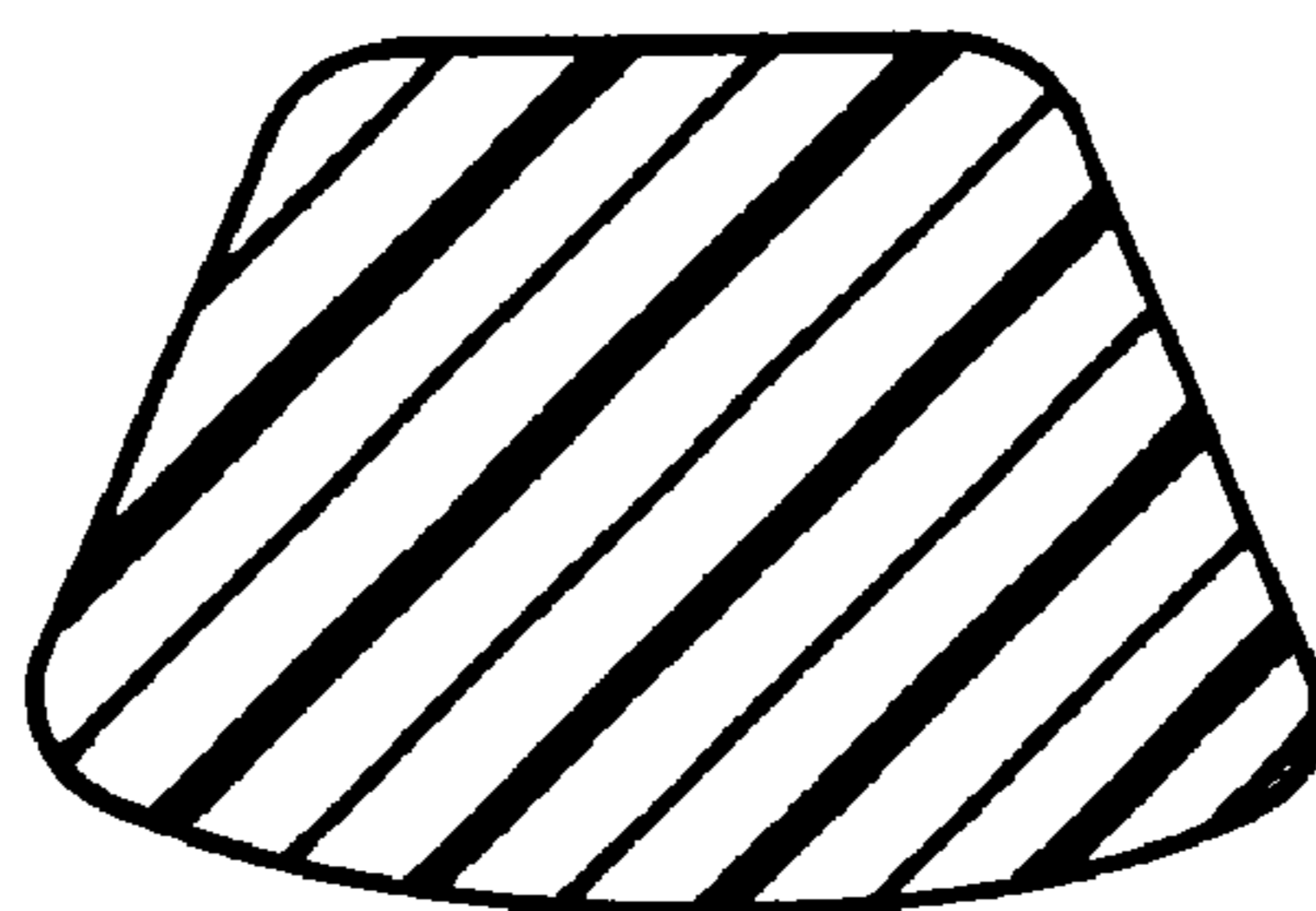


FIG. 10