



US00D538557S

(12) **United States Design Patent**  
**Martyn**

(10) **Patent No.:** **US D538,557 S**  
(45) **Date of Patent:** **\*\* Mar. 20, 2007**

(54) **CHILD'S FLOOR DESK**  
(76) Inventor: **Michael Martyn**, 789 Agnew Street,  
Prince Albert, Saskatchewan (CA), S6V  
2P2  
(\*\*) Term: **14 Years**

D268,796 S \* 5/1983 Kola ..... D6/349  
4,909,159 A \* 3/1990 Gonsoulin ..... 108/44  
D346,704 S \* 5/1994 Grosfillex ..... D6/349  
5,427,292 A \* 6/1995 Rousch ..... 108/25  
5,535,682 A \* 7/1996 Aigeldinger ..... 108/25  
D404,589 S \* 1/1999 Taylor ..... D6/406.4  
D435,993 S \* 1/2001 Johnson ..... D6/601

\* cited by examiner

(21) Appl. No.: **29/229,175**  
(22) Filed: **May 4, 2005**

*Primary Examiner*—Janice E. Seeger  
(74) *Attorney, Agent, or Firm*—Amin Law, LLC

(30) **Foreign Application Priority Data**

Nov. 17, 2004 (CA) ..... 109021

(51) **LOC (8) Cl.** ..... **06-03**  
(52) **U.S. Cl.** ..... **D6/484; D6/349; D6/406.4;**  
D6/406.5

(57) **CLAIM**

The ornamental design for a child's floor desk, as shown and described.

(58) **Field of Classification Search** ..... D6/480-489,  
D6/511, 495, 349, 406.4, 406.5; 108/153.1,  
108/155, 156, 157.1, 161, 43, 25, 26.2; 248/188.1,  
248/188; 297/461, 462; 312/239  
See application file for complete search history.

**DESCRIPTION**

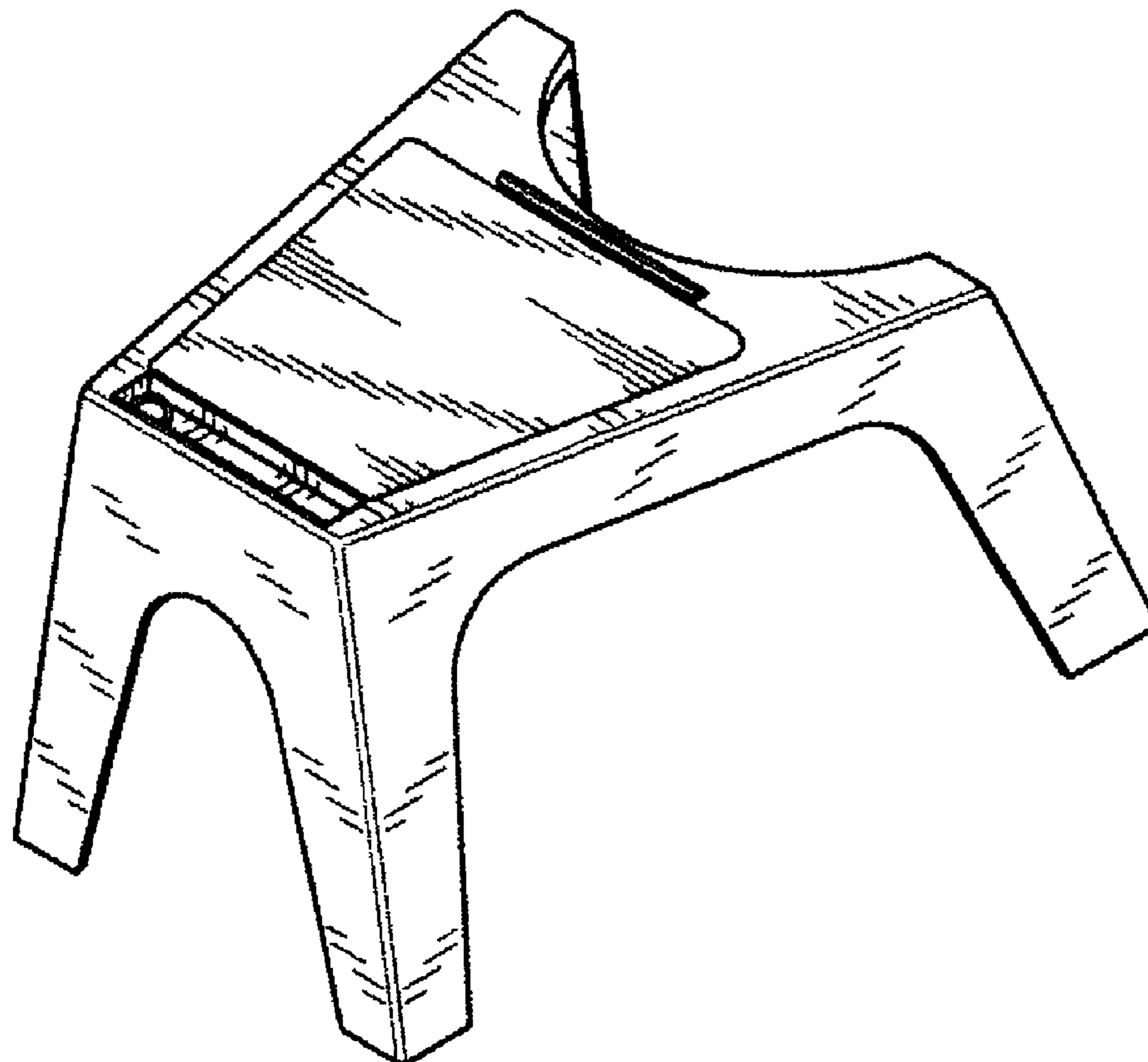
FIG. 1 is a perspective front left view of the floor desk;  
FIG. 2 is a perspective rear right view of the floor desk;  
FIG. 3 is a left side view of the floor desk;  
FIG. 4 is a rear view of the floor desk;  
FIG. 5 is a top view of the floor desk; and,  
FIG. 6 is a front view of the floor desk.

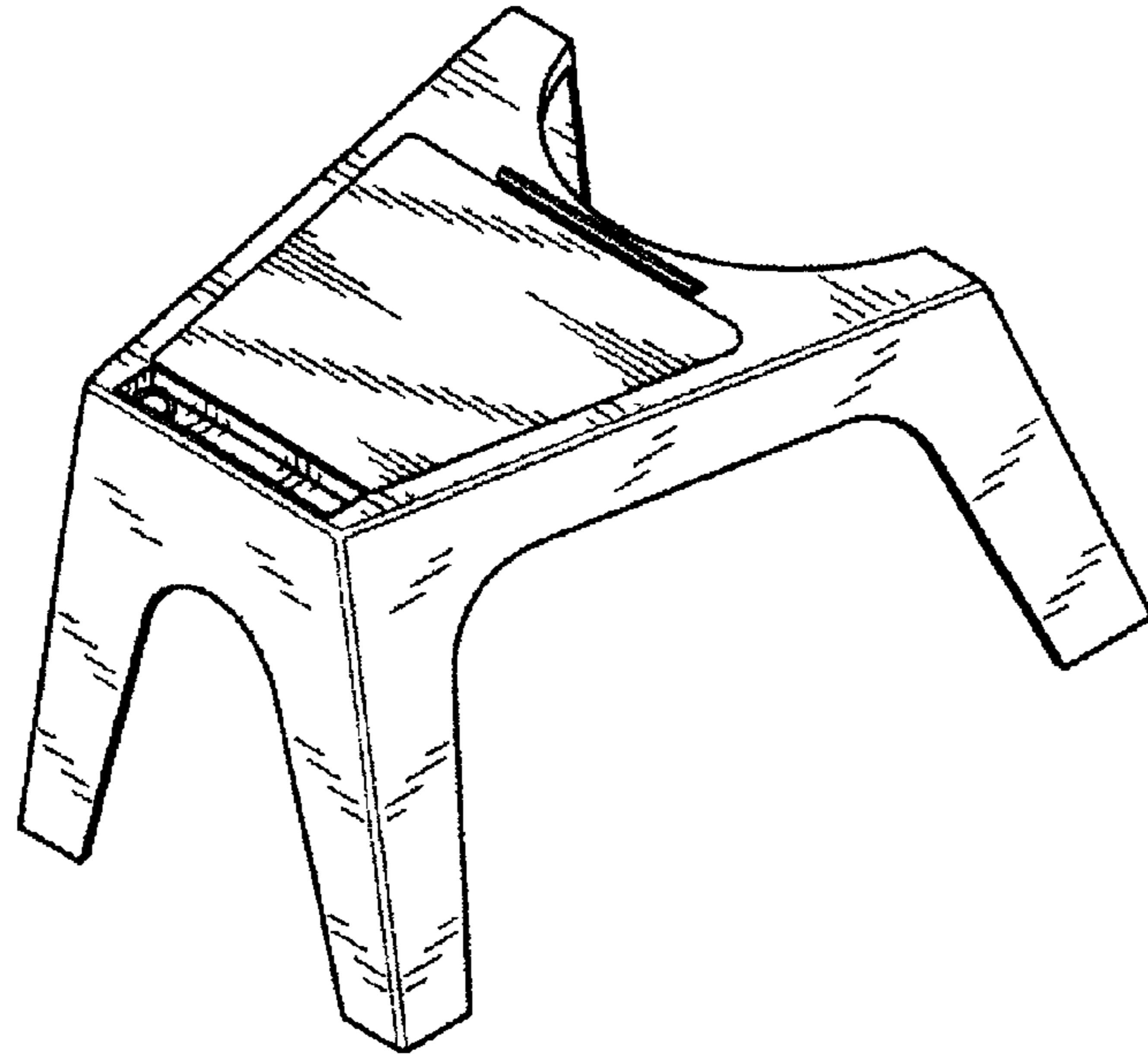
(56) **References Cited**

**U.S. PATENT DOCUMENTS**

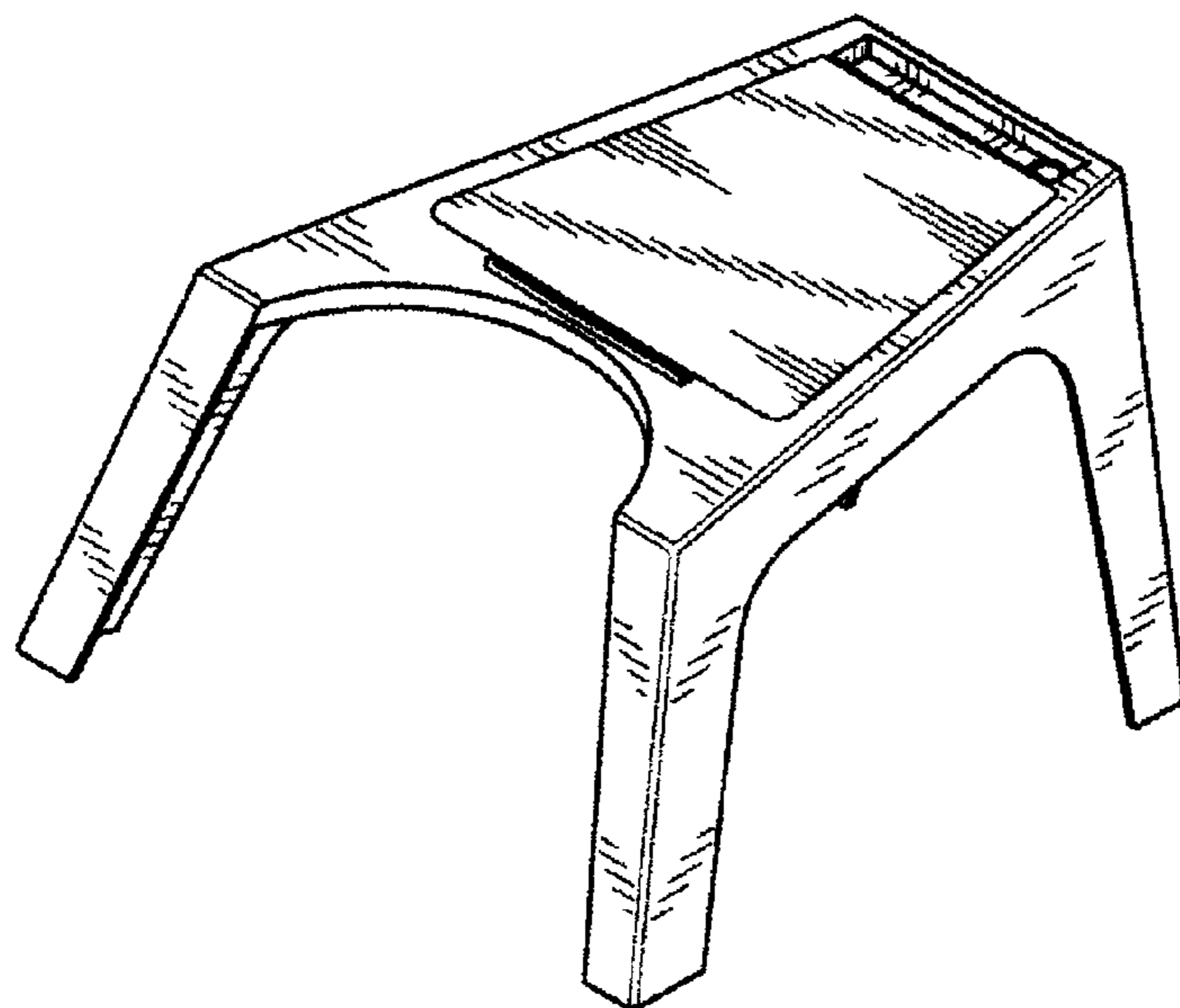
3,123,935 A \* 3/1964 Williams ..... 248/346.01

**1 Claim, 2 Drawing Sheets**





**FIG. 1**



**FIG. 2**

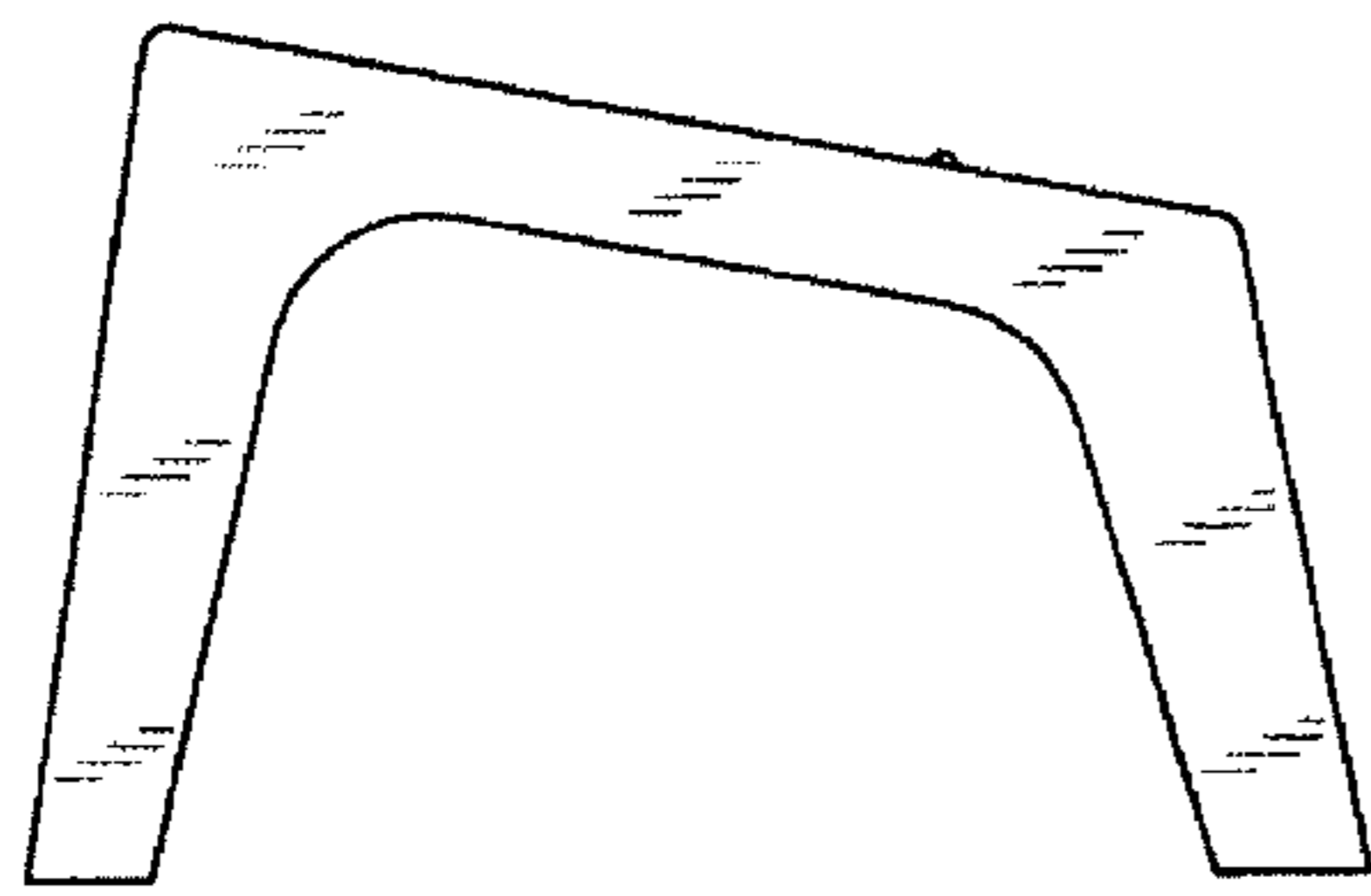


FIG. 3

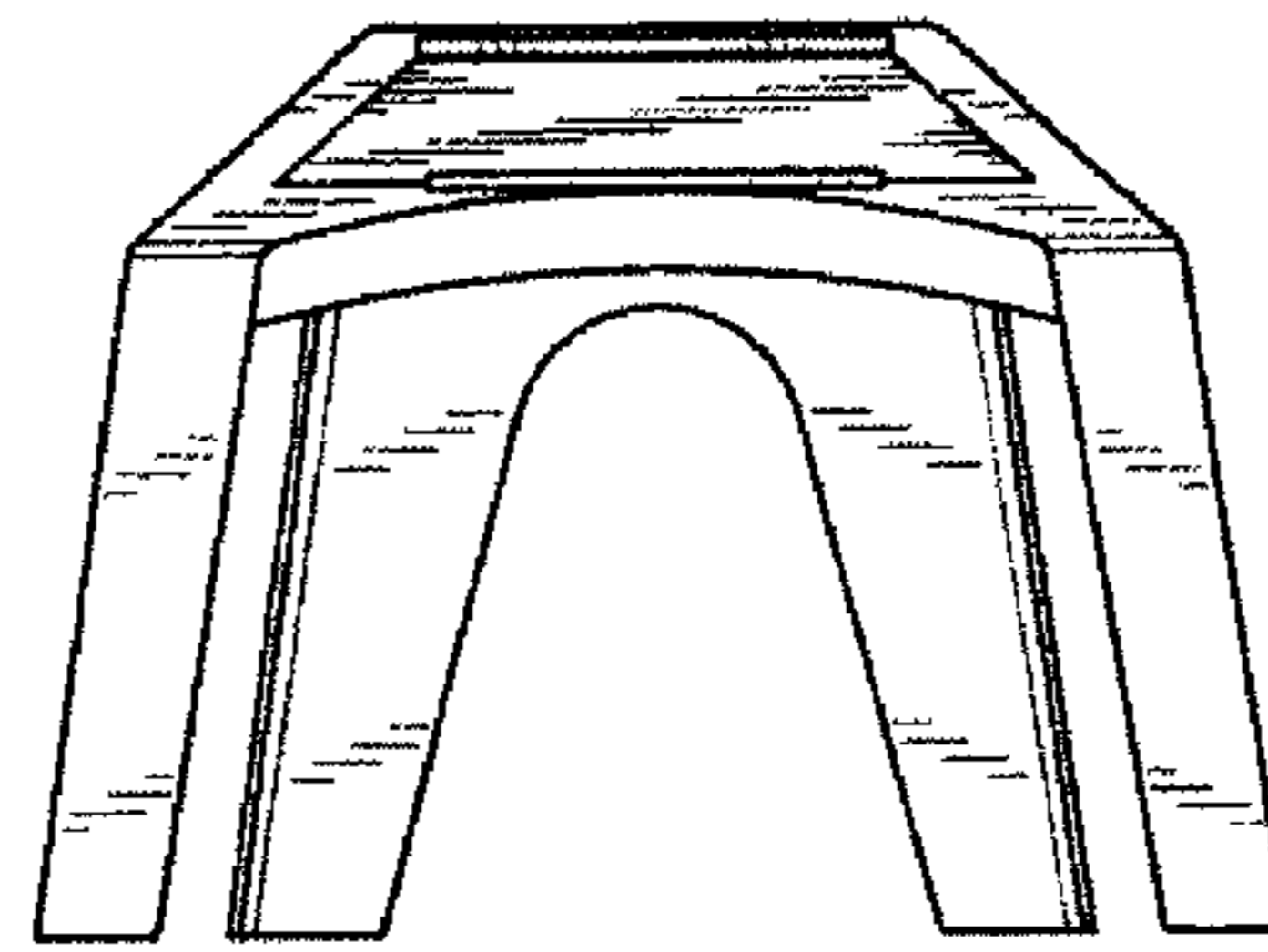


FIG. 4

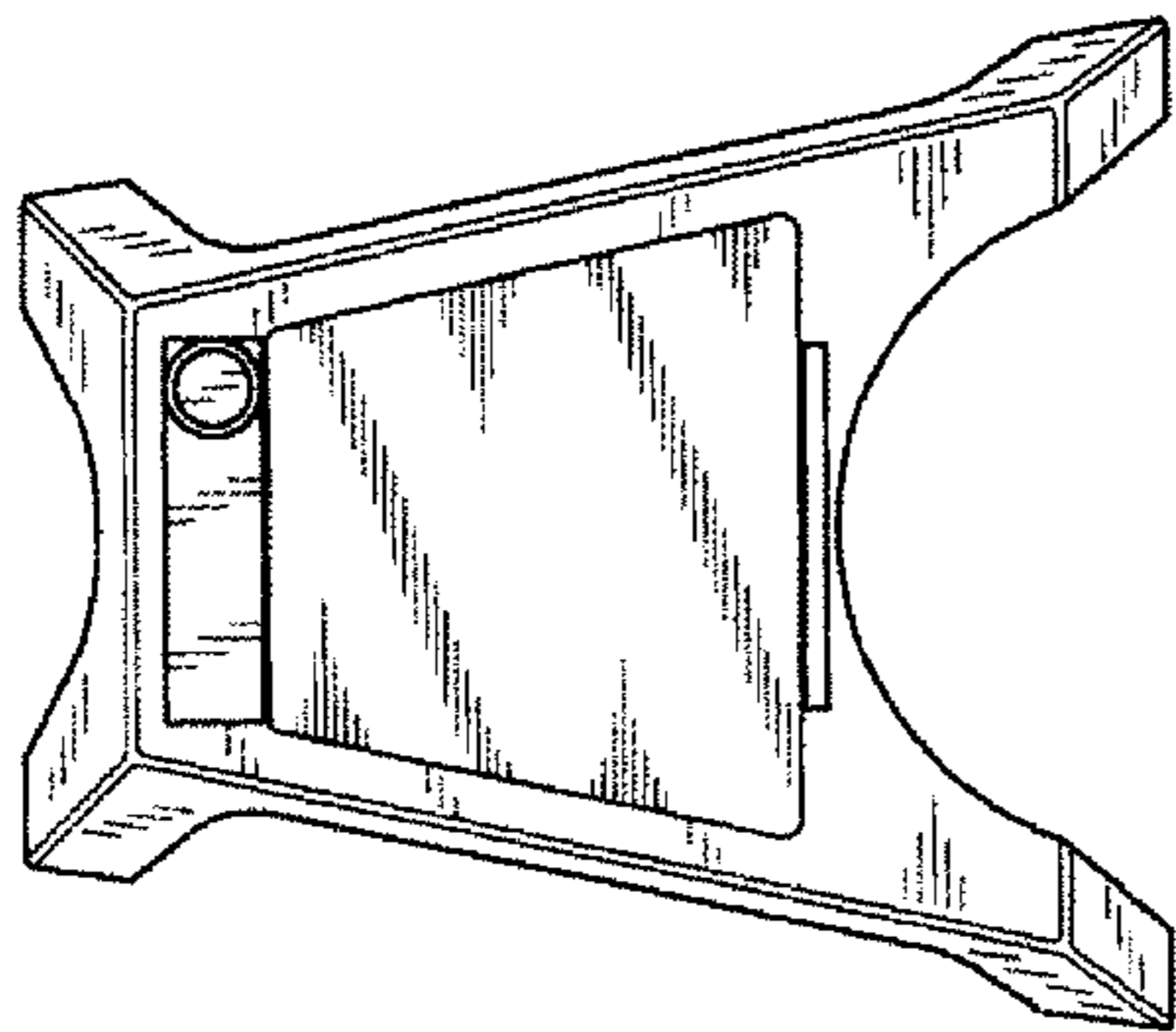


FIG. 5

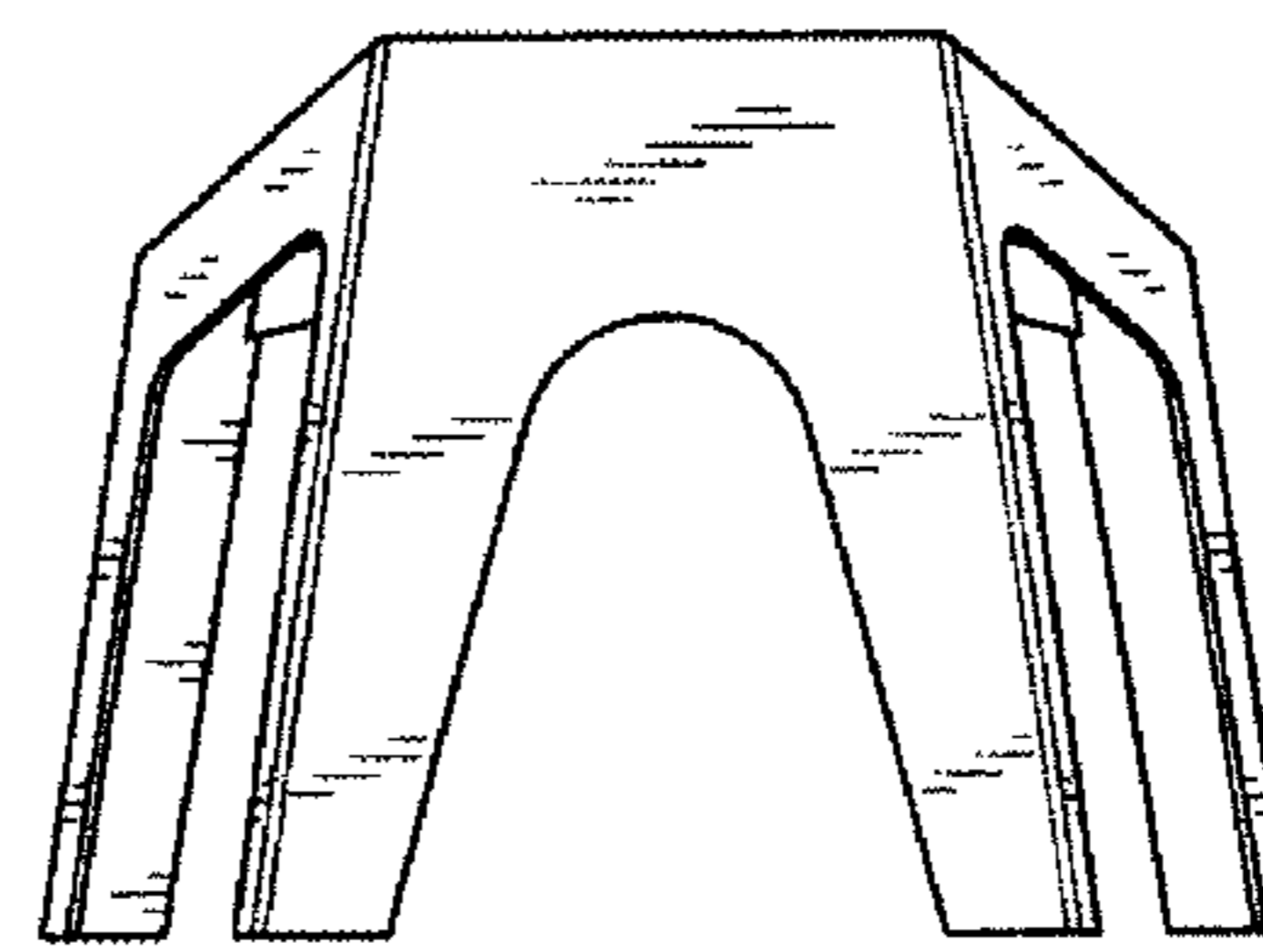


FIG. 6