



US00D538554S

(12) **United States Design Patent** (10) **Patent No.:** **US D538,554 S**
Tai (45) **Date of Patent:** **** Mar. 20, 2007**

(54) **GUITAR STAND**

(75) Inventor: **Jonathan Tai**, Shanghai (CN)

(73) Assignee: **Shanghai Max Precision Instrument Co., Ltd.**, Shanghai (CN)

(**) Term: **14 Years**

(21) Appl. No.: **29/217,148**

(22) Filed: **Nov. 12, 2004**

(51) **LOC (8) Cl.** **06-04**

(52) **U.S. Cl.** **D6/466**

(58) **Field of Classification Search** D6/310,
D6/396, 419, 449, 466, 467, 473-476, 491;
211/13.1, 85.6; D19/99; 84/472, 327; 248/33,
248/166, 434, 441.1, 443, 460

See application file for complete search history.

(56) **References Cited**

U.S. PATENT DOCUMENTS

230,851 A	8/1880	Anthony
368,426 A	8/1887	Rutmann
575,729 A	1/1897	Palmer
730,062 A	6/1903	Widmer
1,359,811 A	11/1920	Kirkondall et al.
1,673,205 A	6/1928	Romao
1,684,912 A	9/1928	Dunklau
1,862,562 A	6/1932	Aldeen et al.
1,863,756 A	6/1932	Lufkin
2,547,924 A	4/1951	Citro
2,559,200 A	7/1951	Schaf
2,630,289 A	3/1953	Selig
2,727,708 A	12/1955	Lorenzen
2,940,709 A	6/1960	Neuwirth
3,057,591 A	10/1962	Weimer
3,526,380 A	9/1970	Tong
D223,638 S	5/1972	Smith
3,709,454 A	1/1973	Hyde

(Continued)

OTHER PUBLICATIONS

Hamilton Orchestra Music Stands Brochure; Hamilton Stands Incorporated; Middletown, Ohio.

Hercules Stands—Microphone Stands; Kaman Music Corporation; Bloomfield Connecticut 2003.

<http://www.guitarvings.com>; Monteleone Instruments; Islip, NY.

http://www.hamiltonstands.com/guitar_stands.htm; Hamilton Stands, Inc.; Middletown, OH.

<http://www.activemusician.com>; Adam Hanger Guitar Stand.

<http://www.zzounds.com>; Hercules GS414B Auto Grab System Guitar Stand.

<http://www.wholenote.com>; Hamilton Guitar—The Hanger—Chrome.

Hamilton School and Orchestra Stands, Conductors' Stands; Folding Stands, Instrument Stands Brochure; Hamilton Stands Incorporated.

Ultimate Support Systems, Inc. Product Catalog 2004; Fort Collins, Colorado.

<http://www.activemusician.com>; Hamilton Guitar Stand—Standard.

Primary Examiner—Robert M. Spear

Assistant Examiner—Mary Ann Calabrese

(74) *Attorney, Agent, or Firm*—William W. Cochran; Cochran Freund & Young LLC

(57) **CLAIM**

The ornamental design for a guitar stand, as shown and described.

DESCRIPTION

FIG. 1 is an isometric view of a guitar stand showing my new design.

FIG. 2 is a front view thereof.

FIG. 3 is a top view thereof.

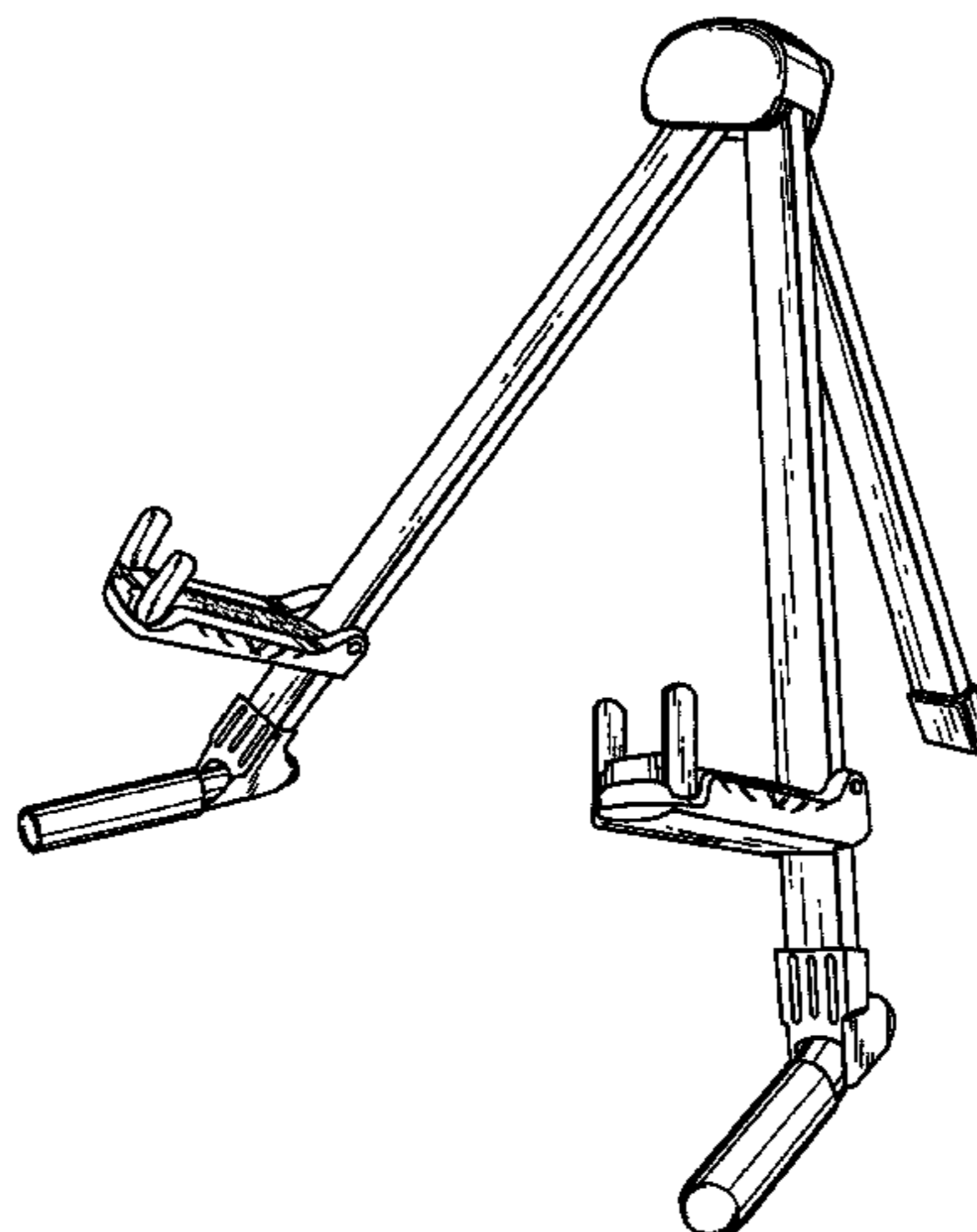
FIG. 4 is a right side view thereof.

FIG. 5 is a left side view thereof.

FIG. 6 is a rear view thereof; and,

FIG. 7 is a bottom view thereof.

1 Claim, 7 Drawing Sheets



US D538,554 S

U.S. PATENT DOCUMENTS

3,804,355	A	4/1974	Uroshevich	D370,369	S	6/1996	Nordstrom
3,881,675	A	5/1975	Matchett	D375,003	S	* 10/1996	Nordstrom, Jr. D6/466
D236,227	S	8/1975	Kester, Jr.	5,664,756	A	9/1997	Liao
3,938,772	A	2/1976	Andrusiak	5,692,719	A	12/1997	Shepherd
3,958,786	A	5/1976	Mann	D389,341	S	1/1998	Danner
4,010,922	A	3/1977	Heller	5,713,547	A	2/1998	Yu
4,061,302	A	12/1977	Boone	D392,123	S	3/1998	Lynch
4,099,441	A	7/1978	Landon	5,726,369	A	3/1998	Gilday
4,205,818	A	6/1980	Lawler	5,744,735	A	* 4/1998	Liao 84/327
4,317,552	A	3/1982	Weidler	D394,764	S	6/1998	Nordstrom
D265,873	S	8/1982	Smith	D396,597	S	8/1998	Kalayjian
4,352,480	A	10/1982	Gathright	D400,734	S	11/1998	Dotson
4,561,339	A	12/1985	Jensen	5,836,552	A	11/1998	Yu
4,582,282	A	4/1986	Gracie	5,852,250	A	12/1998	Cha
4,671,479	A	6/1987	Johnson	D407,240	S	3/1999	Payne
4,691,610	A	9/1987	Gilbert	D408,179	S	* 4/1999	Rellinger D6/491
4,693,161	A	9/1987	Uhrig	D408,653	S	4/1999	Dotson
4,695,021	A	9/1987	Leinfelder	D411,698	S	6/1999	Kalayjian
4,712,756	A	12/1987	Kester	5,934,628	A	8/1999	Bosnakovic
4,744,536	A	5/1988	Bancalari	5,957,417	A	* 9/1999	Yu 248/166
4,785,708	A	11/1988	Vaughan	5,959,225	A	9/1999	Hsu
D299,244	S	1/1989	Jones	D414,962	S	10/1999	Welsh
4,807,837	A	2/1989	Gawlik	5,973,244	A	10/1999	McCulloch
4,890,531	A	1/1990	Tischer	6,005,176	A	12/1999	Yu
4,923,156	A	5/1990	Linneusson	D419,707	S	1/2000	Tierney
5,029,796	A	7/1991	Schoenig	6,015,121	A	1/2000	Reid
5,037,057	A	8/1991	Andrews	D421,447	S	3/2000	Eason et al.
5,060,894	A	10/1991	Hillinger	6,036,159	A	3/2000	Yu
5,114,111	A	5/1992	Andrews	6,113,040	A	* 9/2000	Yu 248/166
D329,342	S	9/1992	Schoenig	6,121,527	A	9/2000	Hamm
5,165,635	A	11/1992	Hoshino	6,127,612	A	10/2000	Yu
D332,882	S	2/1993	Graves	D435,365	S	12/2000	Eason
5,197,701	A	3/1993	Olson	6,209,829	B1	4/2001	Yu
5,213,296	A	5/1993	Lee	6,281,417	B1	8/2001	Ladao
5,340,066	A	8/1994	Ditch	6,283,421	B1	9/2001	Eason
5,350,143	A	9/1994	Hoshino	6,323,405	B1	11/2001	Yu
D353,729	S	12/1994	MacOwan	6,375,135	B1	4/2002	Eason
5,375,497	A	12/1994	Pirchio	6,439,532	B1	8/2002	Yu
5,383,634	A	* 1/1995	Liao 248/166	6,513,768	B1	2/2003	Hsieh
D356,901	S	4/1995	Schoenig et al.	6,682,042	B2	1/2004	Anderson
D357,828	S	* 5/1995	Liao D6/466	D509,162	S	9/2005	Barnes
5,454,473	A	10/1995	Hennessey	2002/0070319	A1	6/2002	Yu
5,497,689	A	3/1996	Hoshino	2002/0088914	A1	* 7/2002	Yu 248/434
5,505,413	A	4/1996	Hennessey				

* cited by examiner

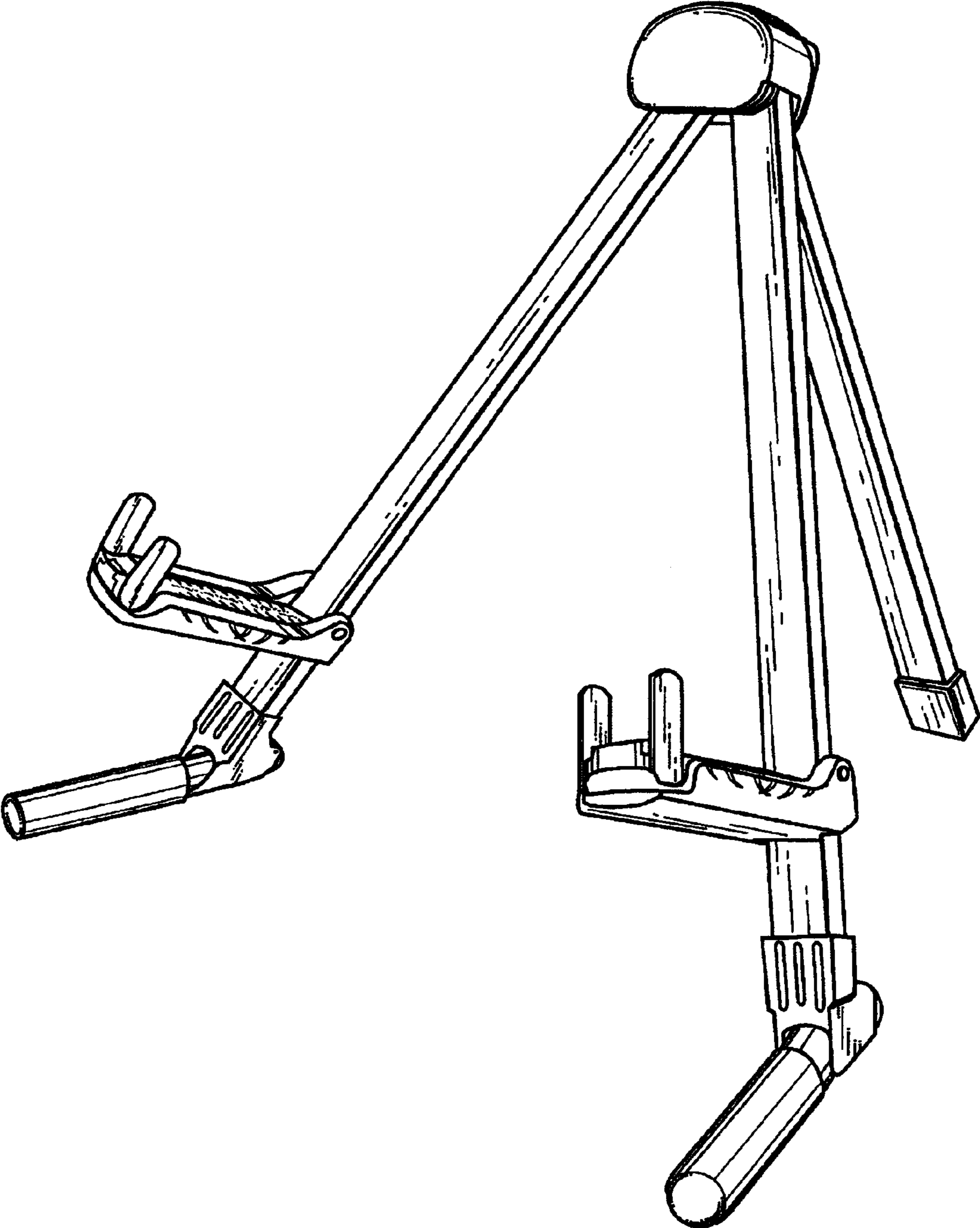


FIG. 1

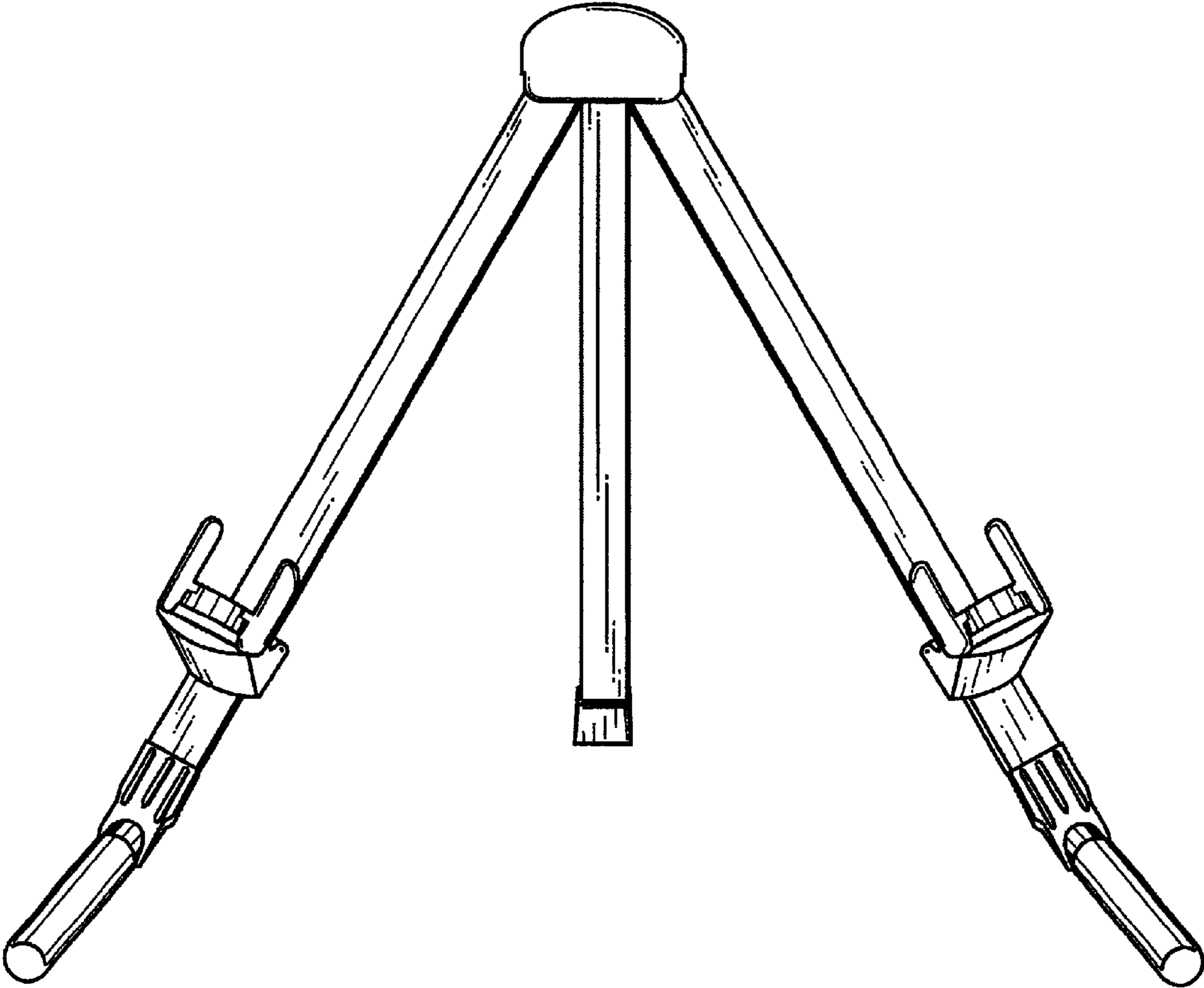


FIG. 2

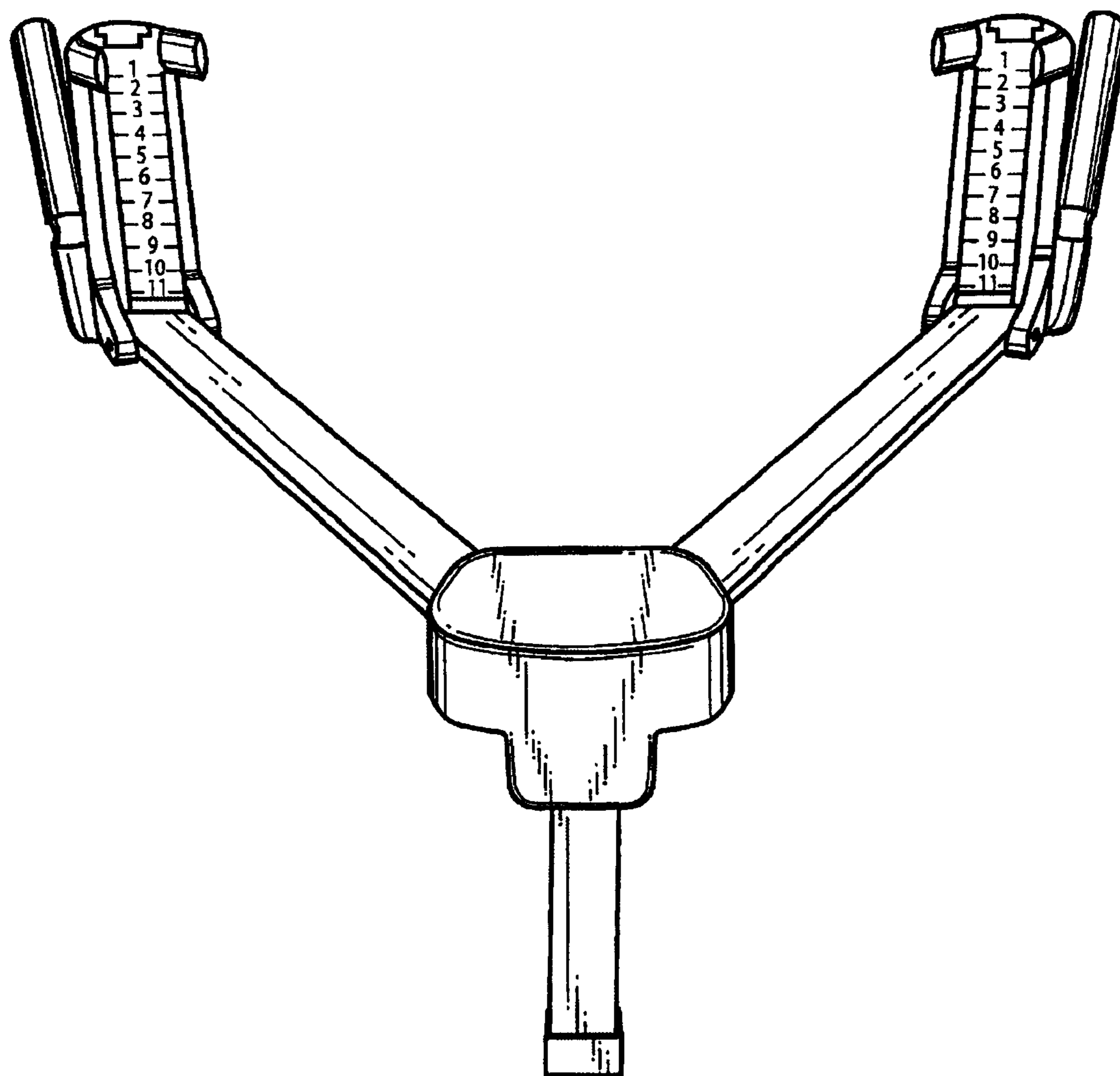


FIG. 3

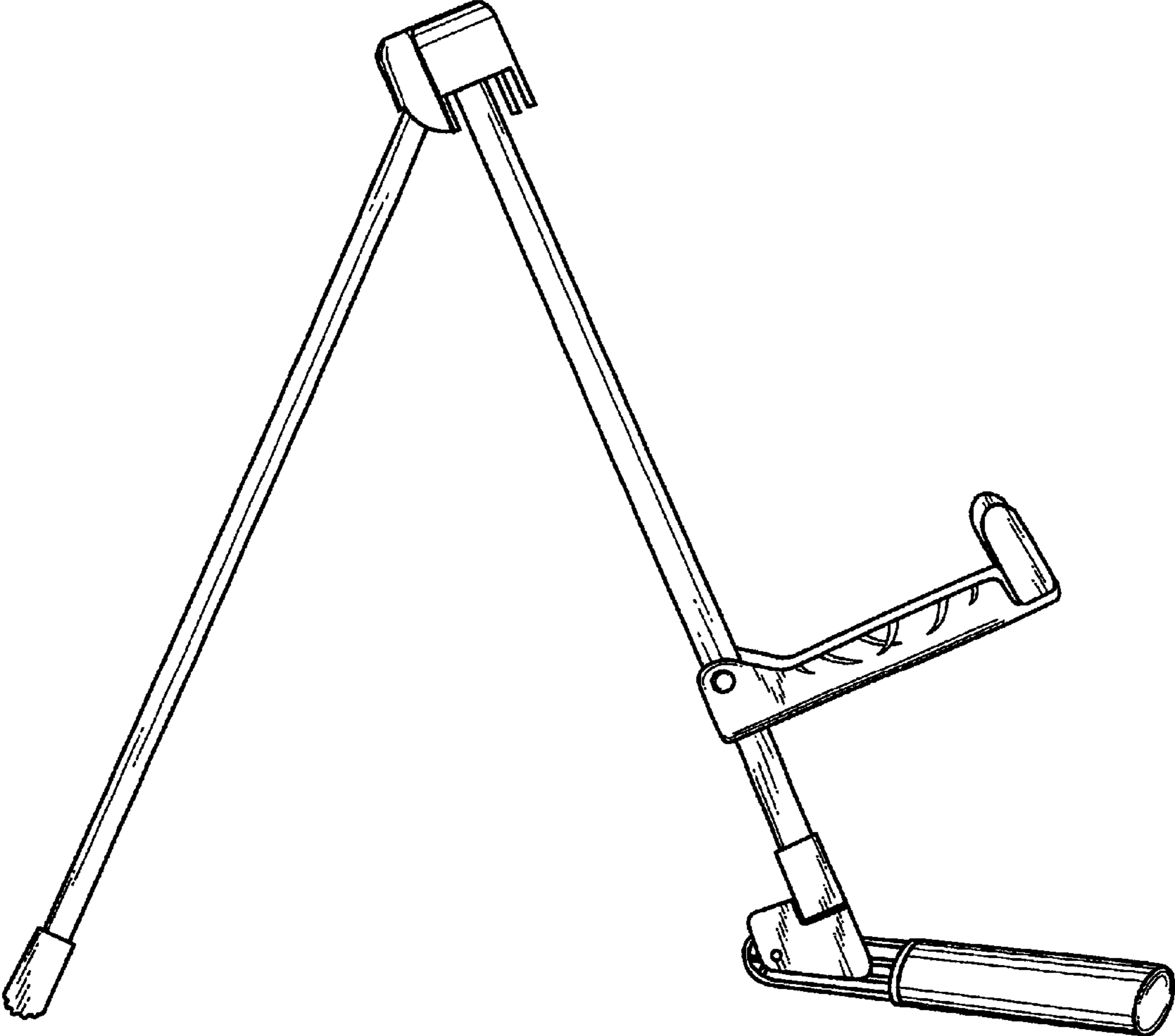


FIG. 4

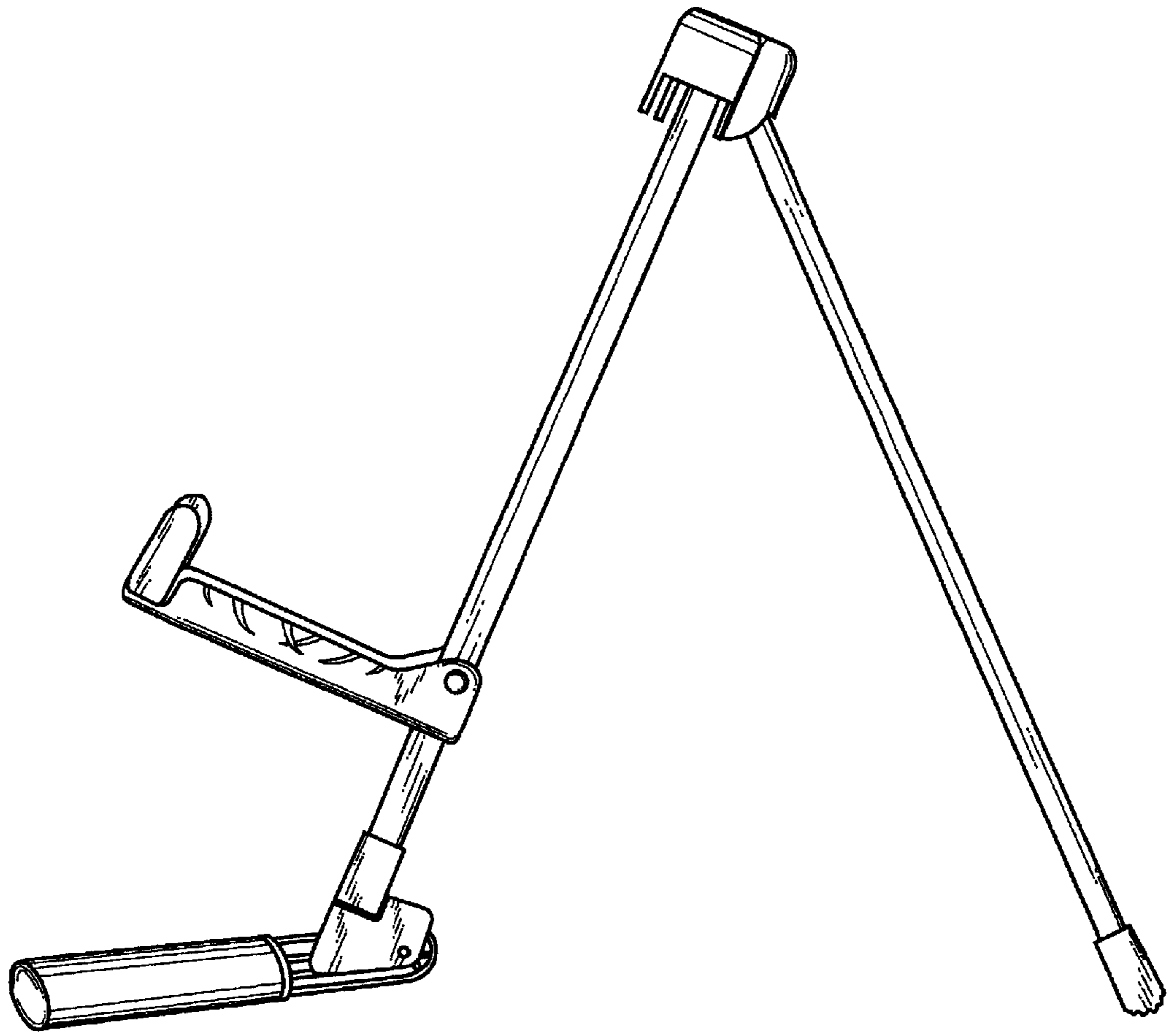


FIG. 5

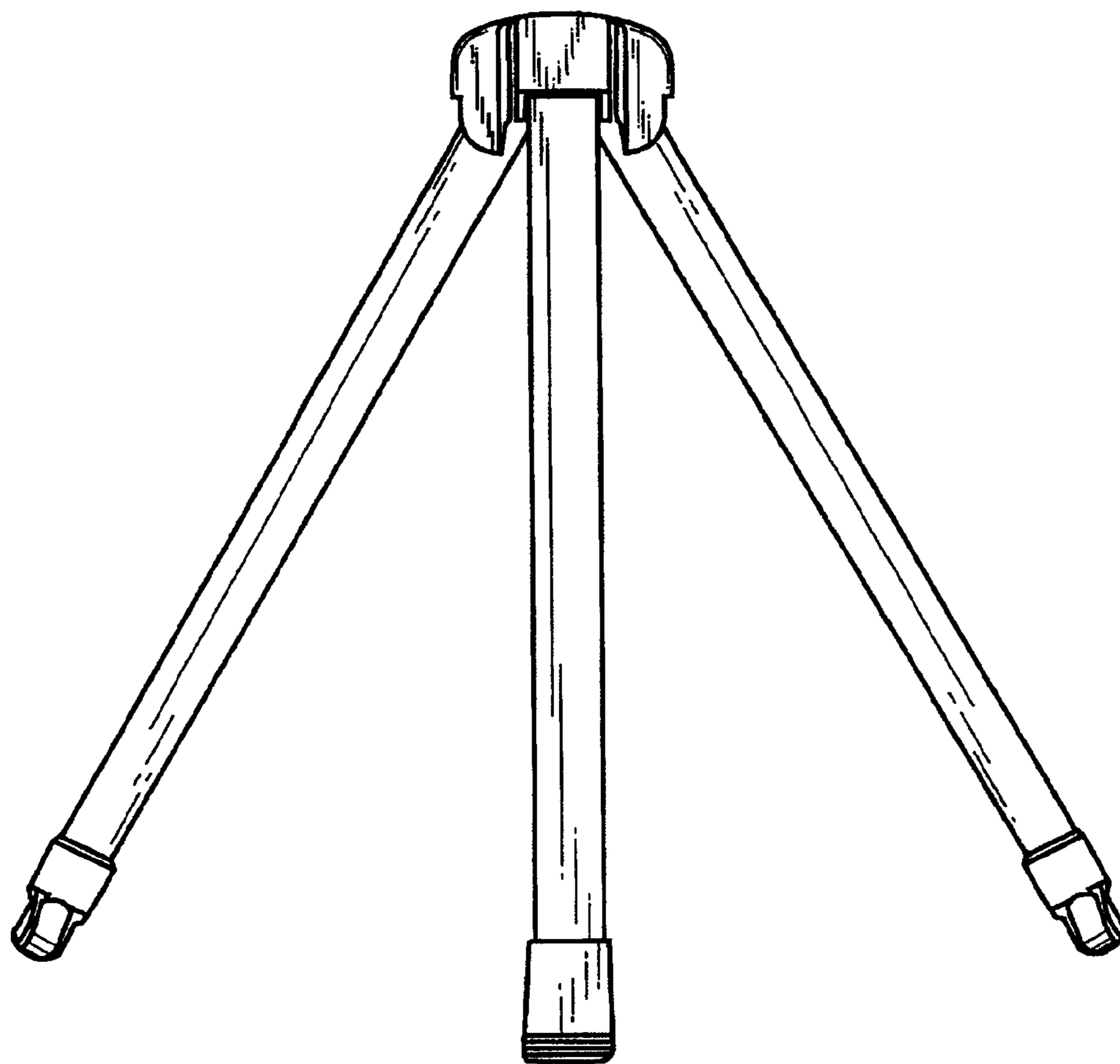


FIG. 6

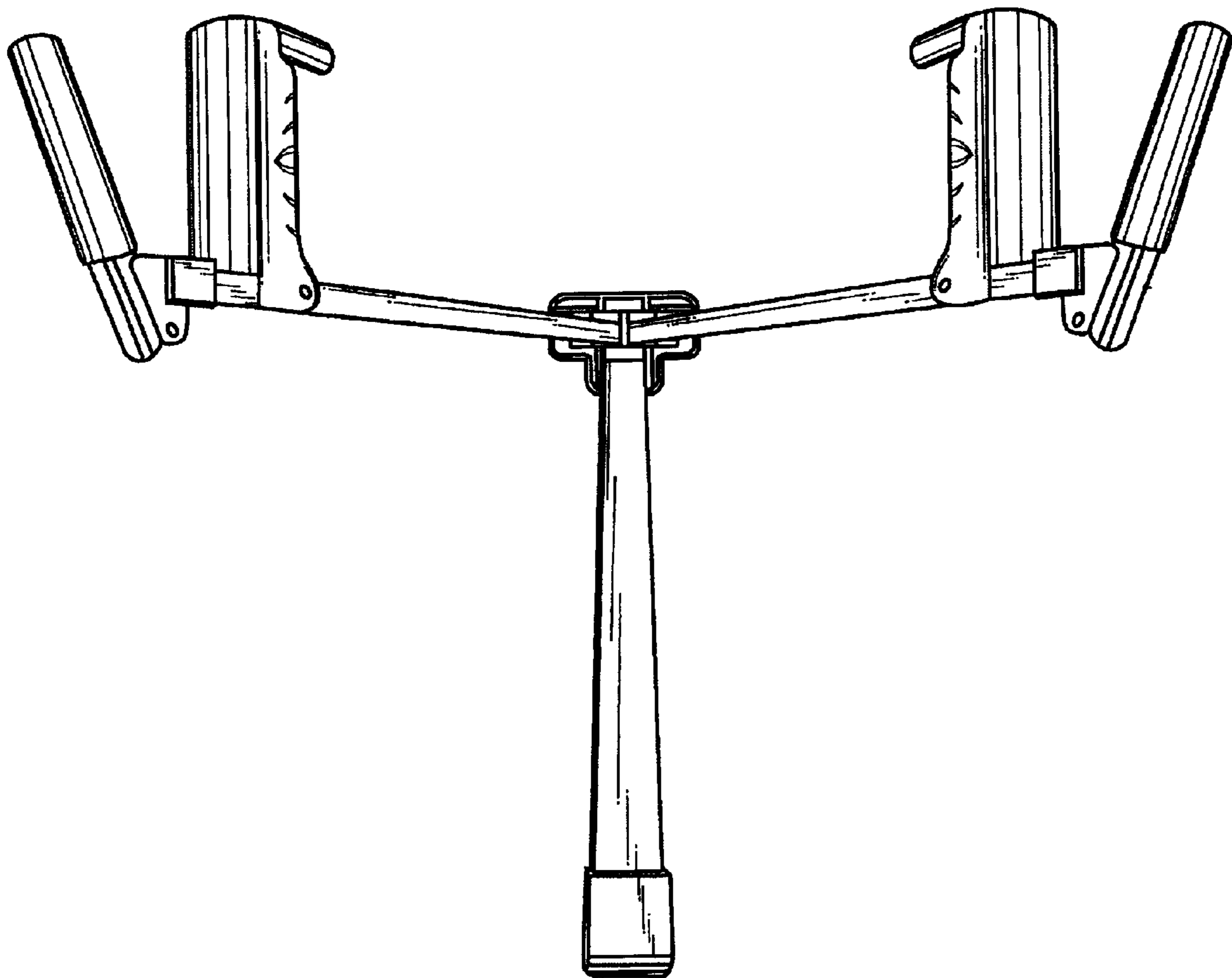


FIG. 7