



US00D538553S

(12) **United States Design Patent**
Kileff et al.

(10) **Patent No.: US D538,553 S**

(45) **Date of Patent: ** Mar. 20, 2007**

(54) **STEMWARE AND DECANTER RACK**

(75) Inventors: **Brian Kileff**, Hillsborough, NC (US);
Carol Nix, Raleigh, NC (US); **Matt
McConnell**, Raleigh, NC (US)

(73) Assignee: **Oenophilia, Inc.**, Hillsborough, NC
(US)

(**) Term: **14 Years**

(21) Appl. No.: **29/260,402**

(22) Filed: **May 24, 2006**

(51) **LOC (8) Cl.** **06-04**

(52) **U.S. Cl.** **D6/462**

(58) **Field of Classification Search** D6/462,
D6/429, 449, 458, 513; 211/85.9, 85.13,
211/85.2, 85.5, 85.7, 16, 60.1, 85, 85.31,
211/195

See application file for complete search history.

(56) **References Cited**

U.S. PATENT DOCUMENTS

1,208,923 A * 12/1916 Dell 211/65
D165,502 S * 12/1951 Barlow D6/411
D179,863 S * 3/1957 Mortiz D6/449

D251,164 S * 2/1979 Rosen D6/462
D262,334 S * 12/1981 Clarke et al. D6/462
D292,763 S * 11/1987 Rich D6/462
6,595,475 B2 * 7/2003 Svabek et al. 248/150
D494,777 S * 8/2004 Walk D6/465
D514,354 S * 2/2006 Nix et al. D6/462

* cited by examiner

Primary Examiner—Caron D. Veynar

Assistant Examiner—Sydney R. Buffalow

(74) *Attorney, Agent, or Firm*—Priest & Goldstein, PLLC

(57) **CLAIM**

The ornamental design for a stemware and decanter rack, as shown.

DESCRIPTION

FIG. 1 shows a perspective view of a stemware and decanter rack showing our new design;

FIG. 2 shows a front view of the rack shown in FIG. 1.

FIG. 3 shows a side view of the rack shown in FIG. 1.

FIG. 4 shows a top view of the rack shown in FIG. 1.

FIG. 5 shows a bottom view of the rack shown in FIG. 1; and,

FIG. 6 shows a perspective view of the rack shown in FIG. 1 in a folded position.

1 Claim, 6 Drawing Sheets

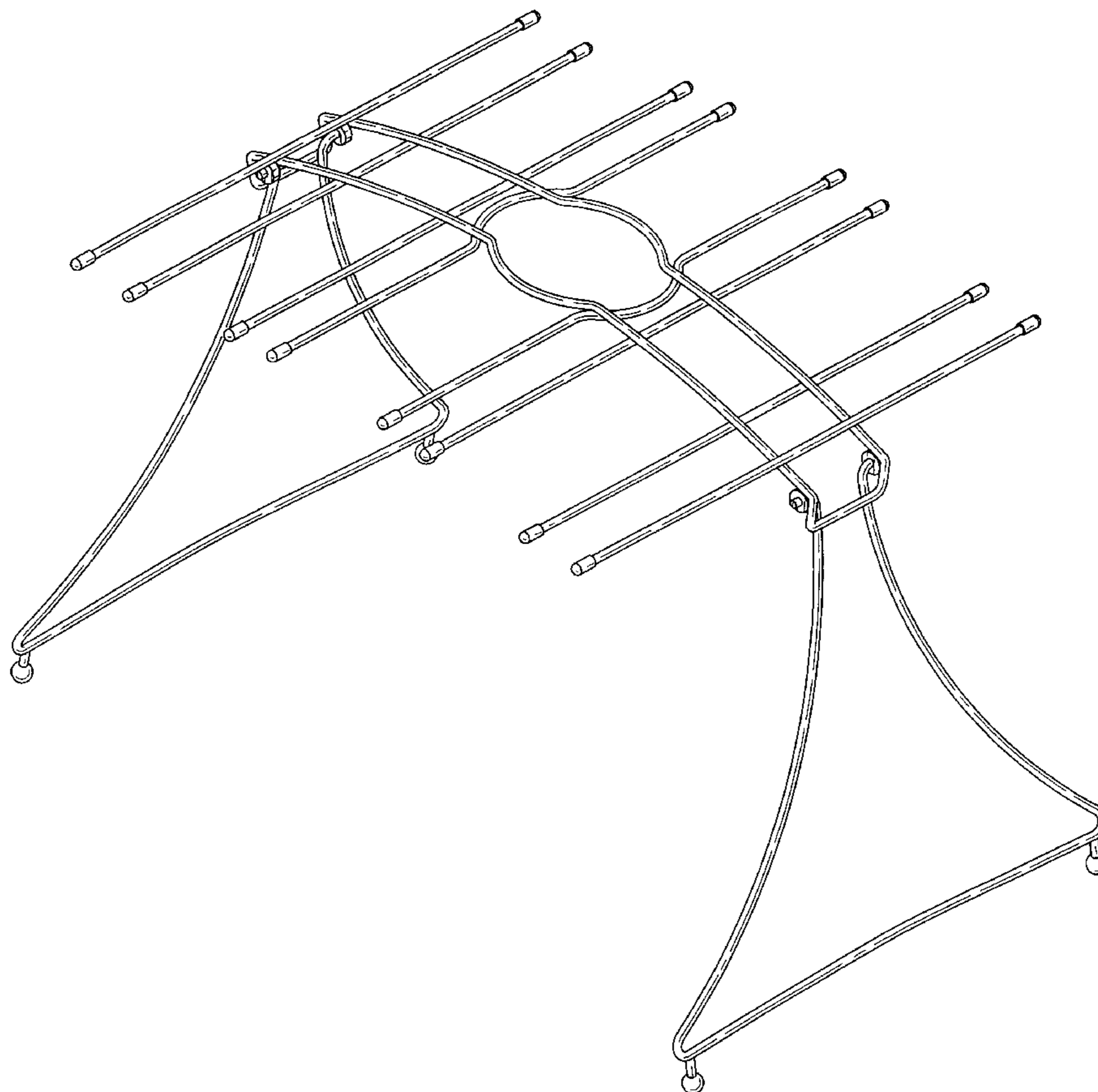


FIG. 1

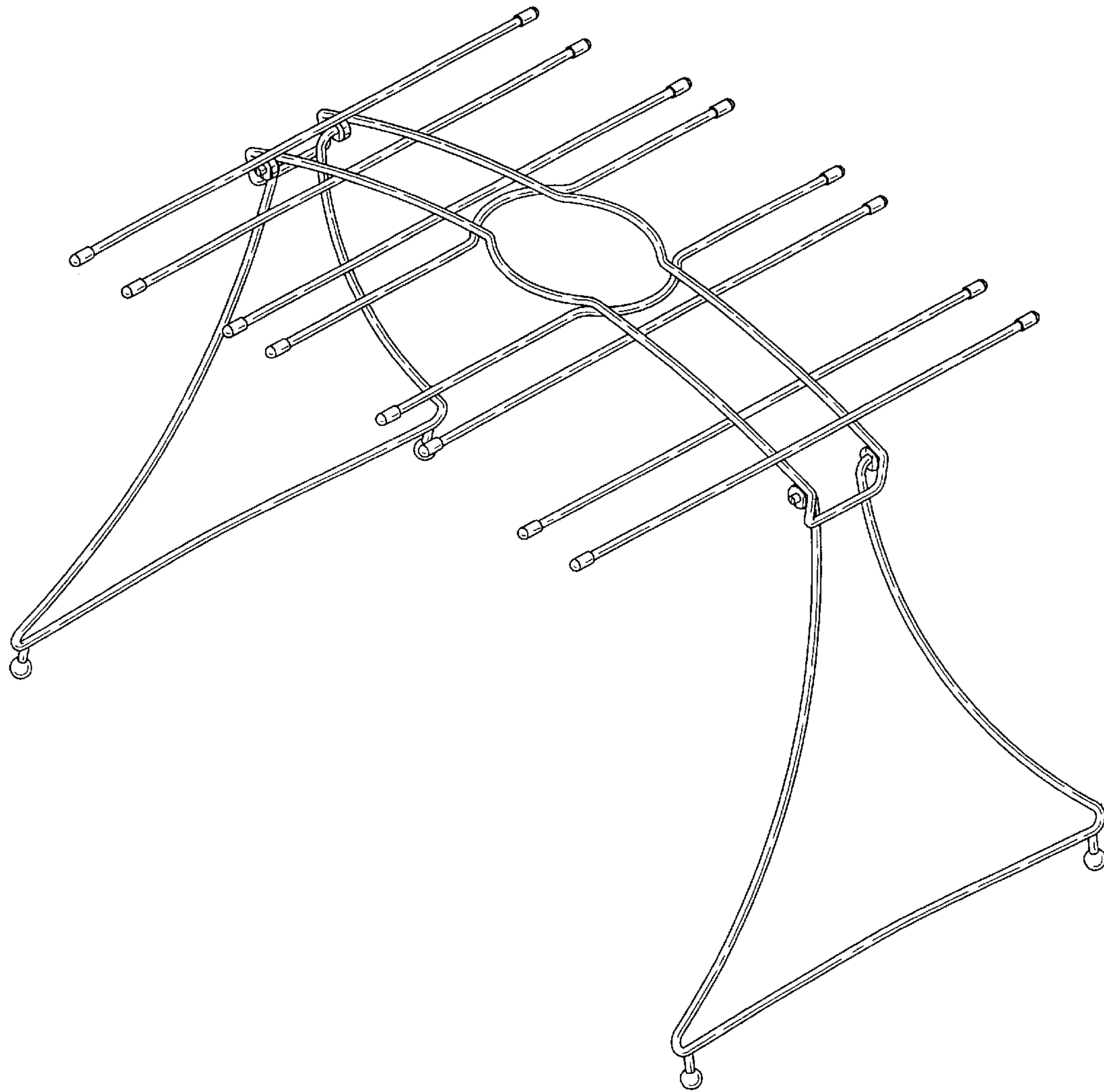


FIG. 2

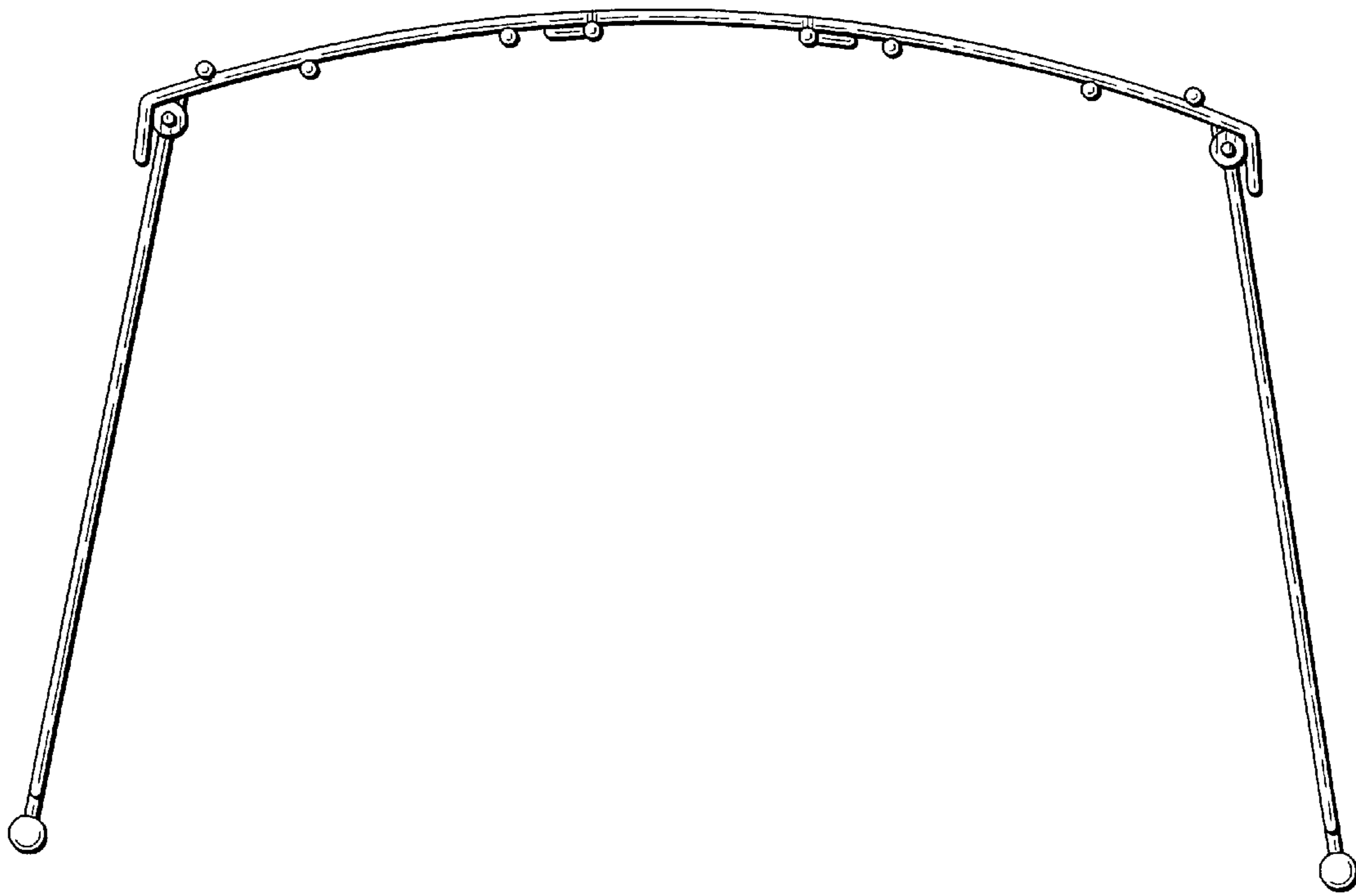


FIG. 3

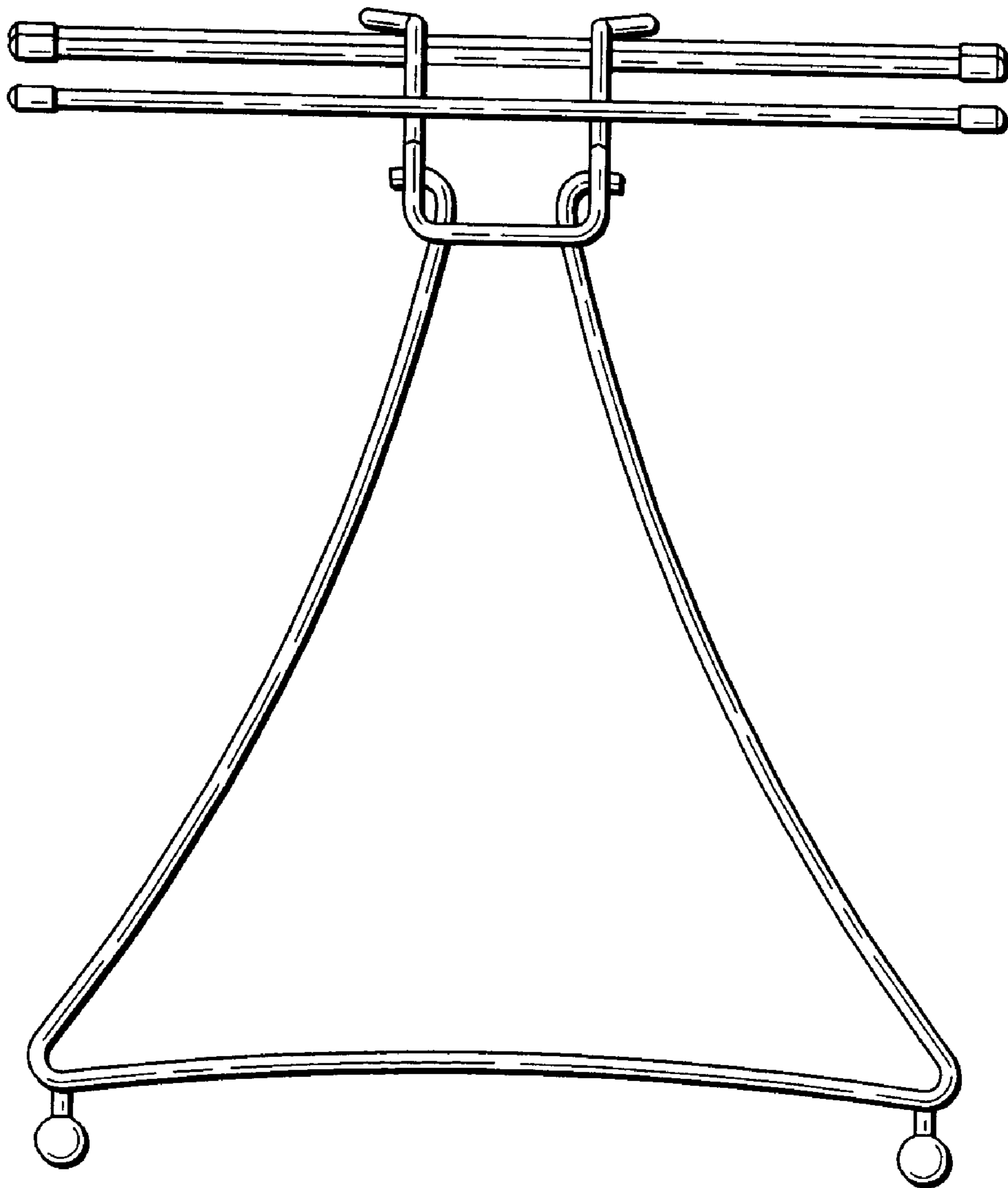


FIG. 4

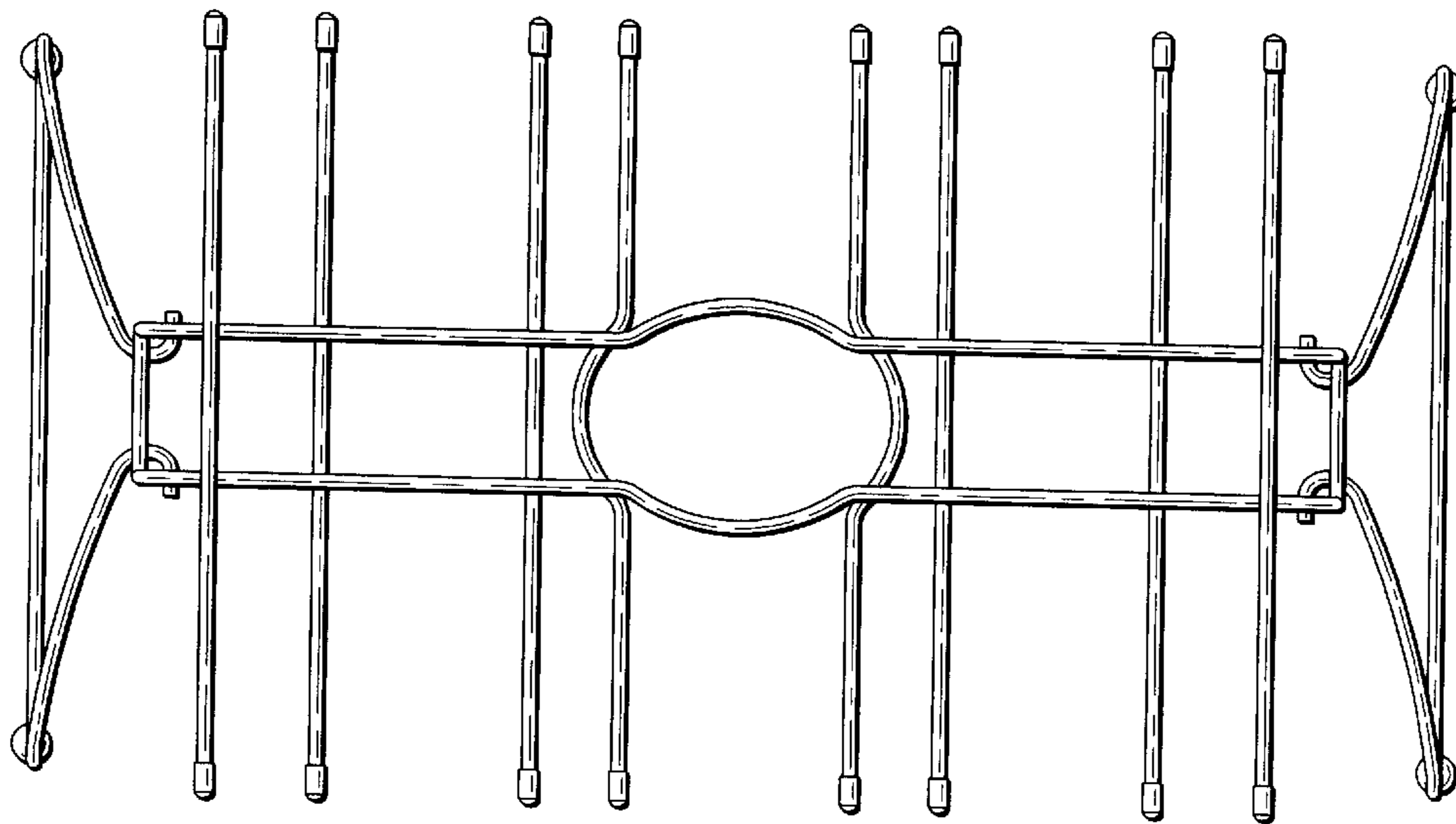


FIG. 5

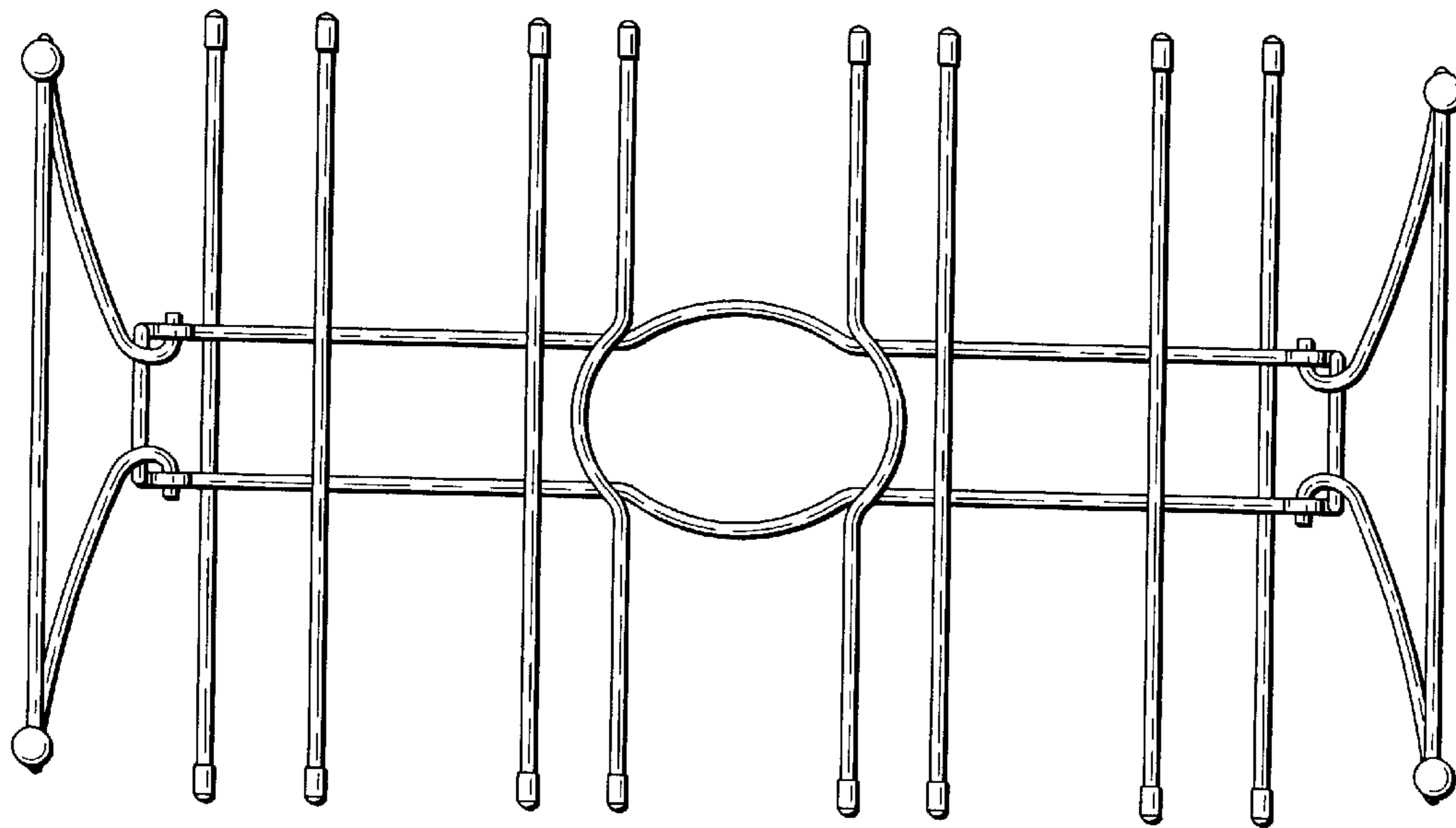


FIG. 6

