



US00D538549S

(12) **United States Design Patent** (10) **Patent No.:** **US D538,549 S**  
**Spear** (45) **Date of Patent:** **\*\* Mar. 20, 2007**

(54) **MODULAR LOUNGE**

(75) Inventor: **Alison Spear**, Miami, FL (US)

(73) Assignee: **Steelcase Development Corporation**,  
Grand Rapids, MI (US)

(\*\*) Term: **14 Years**

(21) Appl. No.: **29/259,900**

(22) Filed: **May 17, 2006**

**Related U.S. Application Data**

(62) Division of application No. 29/206,337, filed on May 28,  
2004, now Pat. No. Des. 525,802.

(51) **LOC (8) Cl.** ..... **06-01**

(52) **U.S. Cl.** ..... **D6/381**

(58) **Field of Classification Search** ..... D6/334-336,  
D6/349, 358, 353, 356, 360, 377, 364-366,  
D6/368-370, 379-381, 500-502; 297/16.1,  
297/68, 452.1, 452.2, 461, 118; D11/149;  
5/12.1, 653, 655.3

See application file for complete search history.

(56) **References Cited**

**U.S. PATENT DOCUMENTS**

2,164,715 A	7/1939	Krainbill	
D184,081 S	12/1958	Belz	
D245,951 S	10/1977	Lande	
D261,954 S	11/1981	Aronowitz et al.	
D261,955 S	11/1981	Aronowitz et al.	
D327,174 S	6/1992	Hopfer	
5,893,182 A	4/1999	Sutherland et al.	
D493,966 S	8/2004	Rach	
D525,802 S	* 8/2006	Spear	..... D6/381

**OTHER PUBLICATIONS**

Natuzzi model #1819, International Home Furnishings Mar-  
ket, High Point, NC, Apr. 1999, 1 pg.\*

Chair Nos. 6692, 4560, 6860, and 4690 of May 17, 1949 and  
Chair No. 6560 of Apr. 25, 1949 of the Futurama Group by  
Selig of Leominster, MA (5 pages).

Chair Nos. 70, 50, 63, 51, 157, 54, 53, and 53 Plastics of  
May 17, 1949 of the Smarteze Group by Selig of Leomin-  
ster, MA (8 pages).

Chair No. 4692 Modique Armless May 17, 1949 by Selig of  
Leominster, MA (1 page).

\* cited by examiner

*Primary Examiner*—Sandra Snapp

(74) *Attorney, Agent, or Firm*—Quarles & Brady LLP

(57) **CLAIM**

The ornamental design for a modular lounge, as shown and  
described.

**DESCRIPTION**

FIG. 1 is a front, right upper perspective view of a section  
of a modular lounge embodying my new design;

FIG. 2 is a front elevational view thereof;

FIG. 3 is a right side elevational view thereof, the left side  
elevational view being a mirror image thereof;

FIG. 4 is a top plan view thereof;

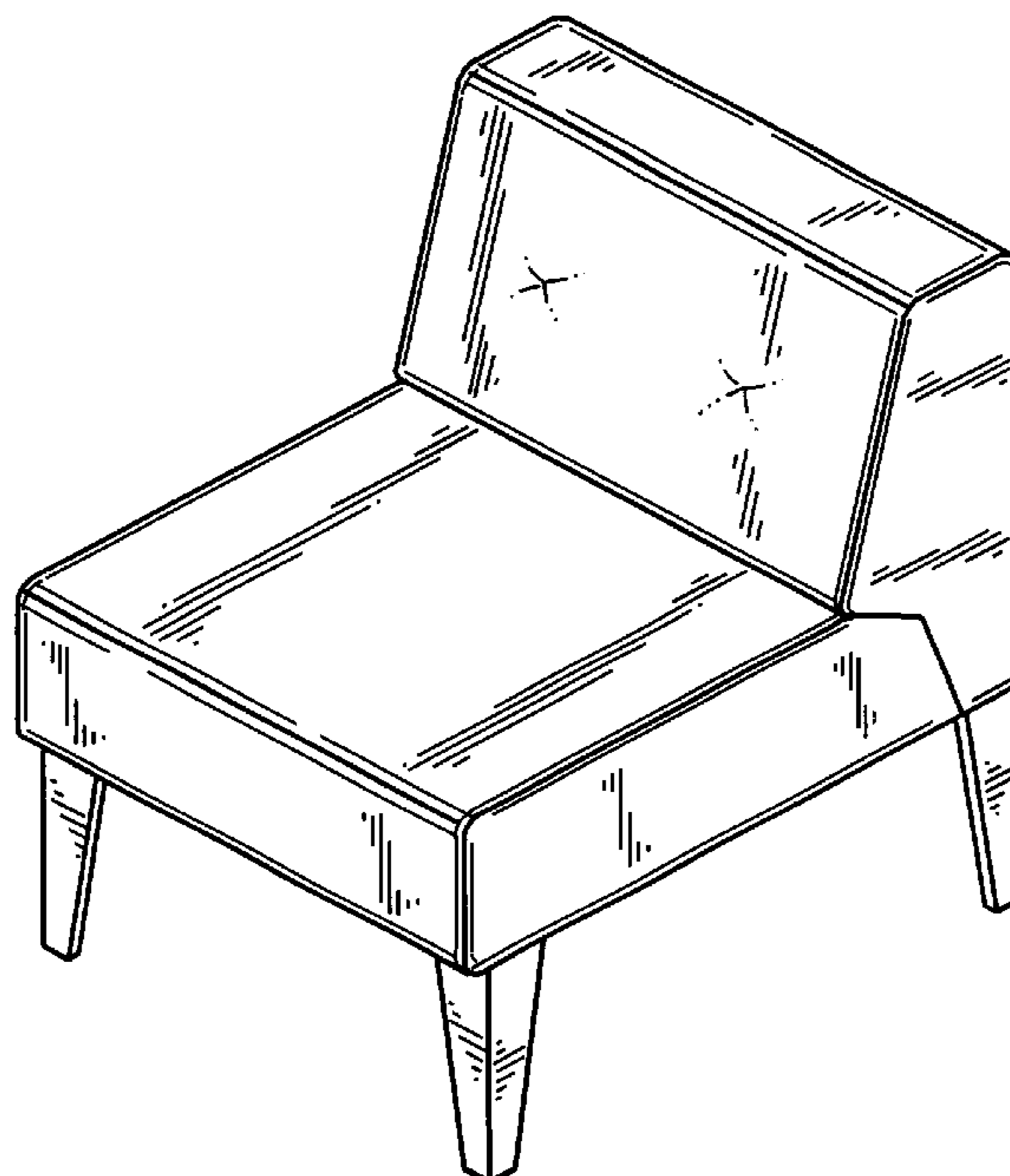
FIG. 5 is a rear elevational view thereof; and,

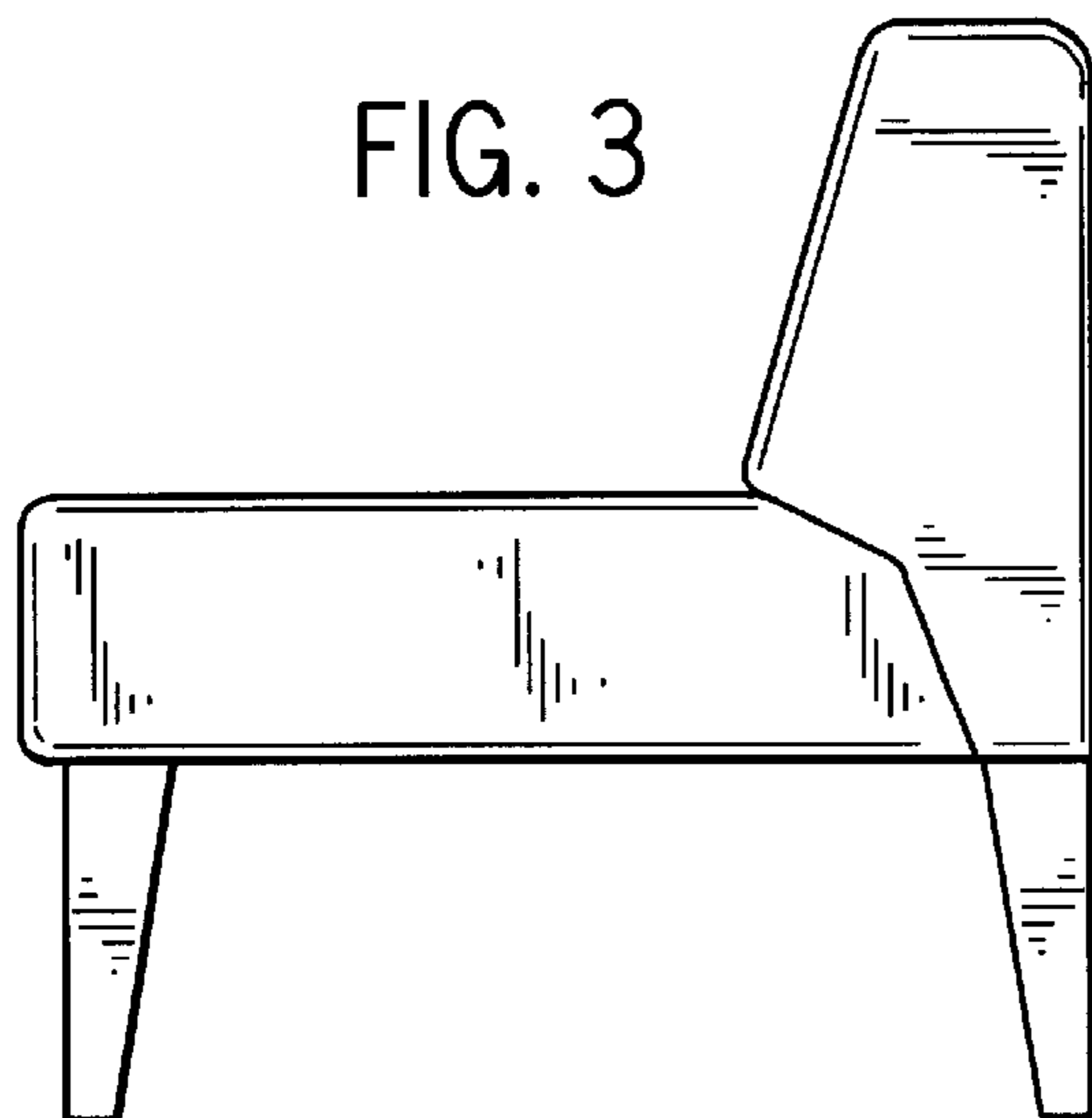
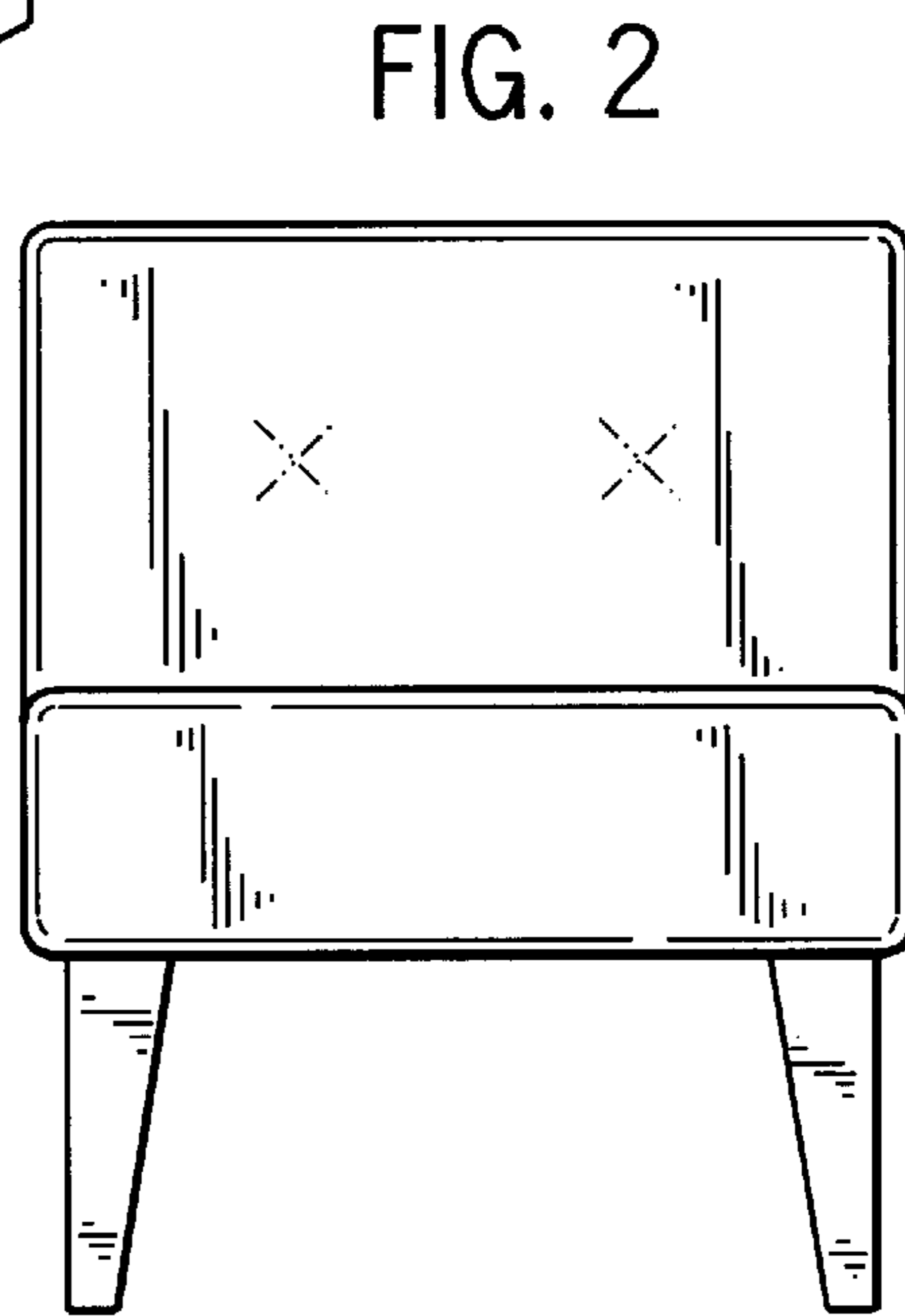
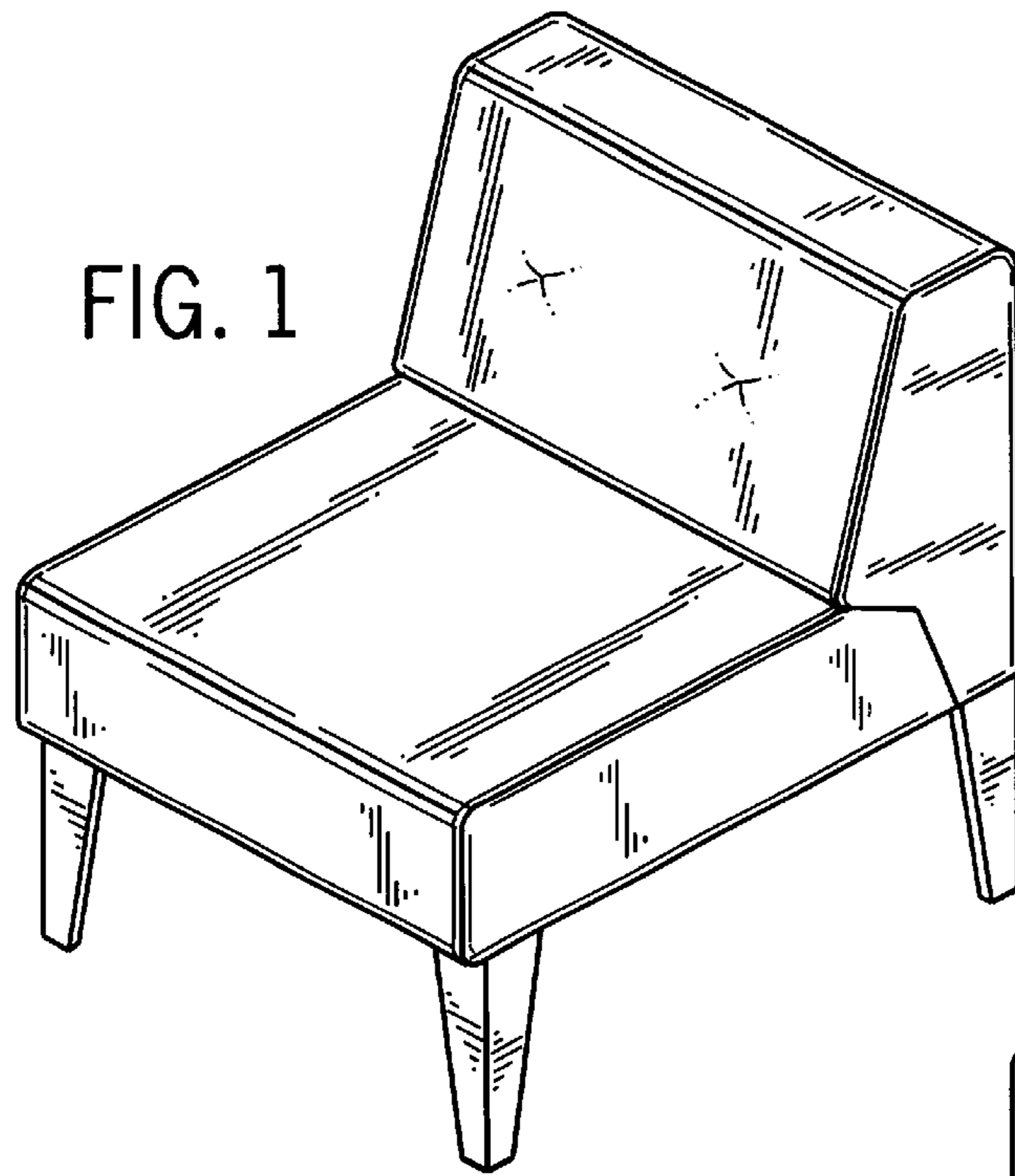
FIG. 6 is a bottom view thereof.

The broken line representations of seat tufting in FIGS. 1, 2  
and 4 are for the purpose of illustration only, and form no  
part of the claimed design.

The bottom of every section and embodiment forms no part  
of the claimed subject matter. In this regard, it is not visible  
in normal use.

**1 Claim, 2 Drawing Sheets**





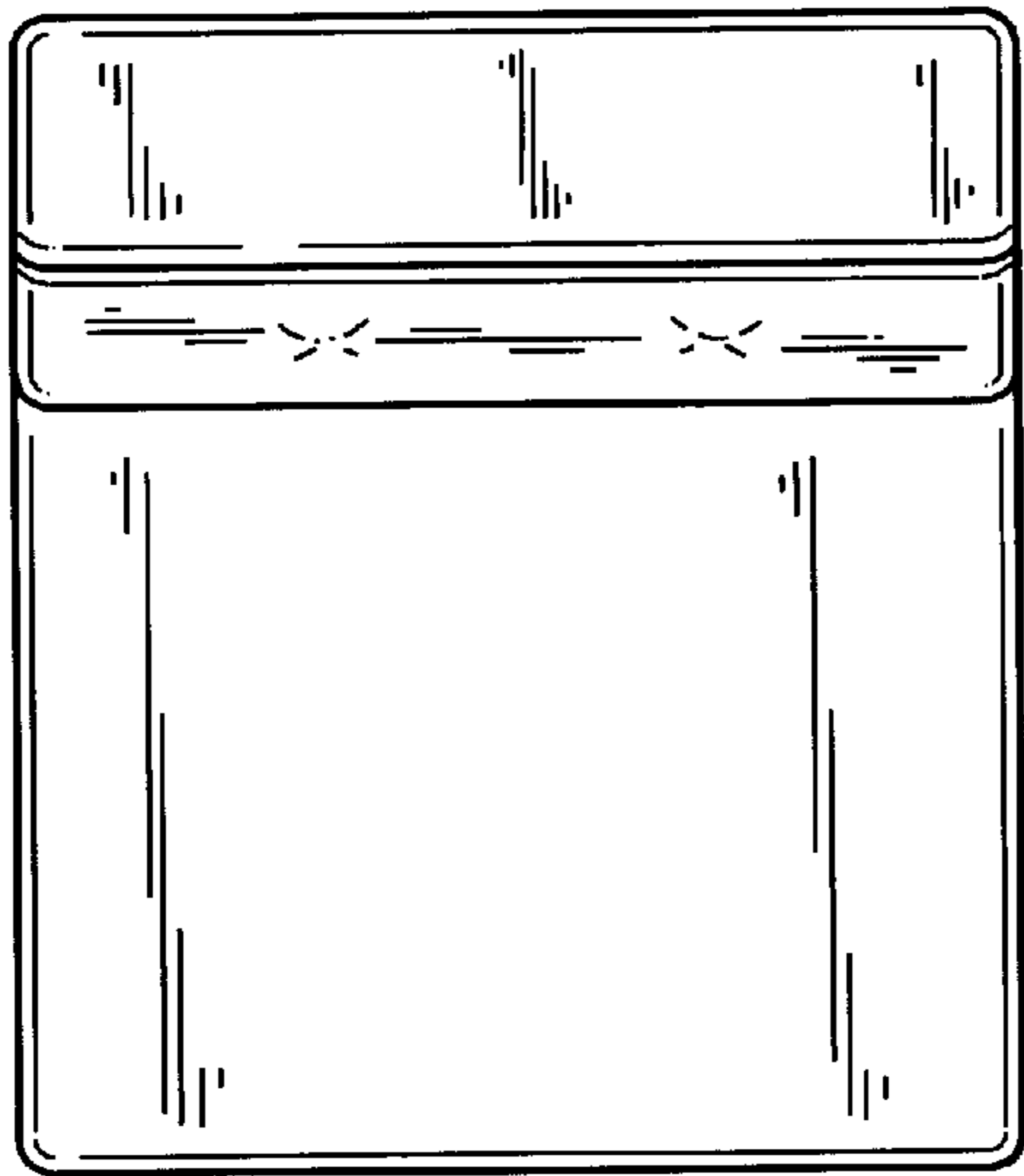


FIG. 4

FIG. 5

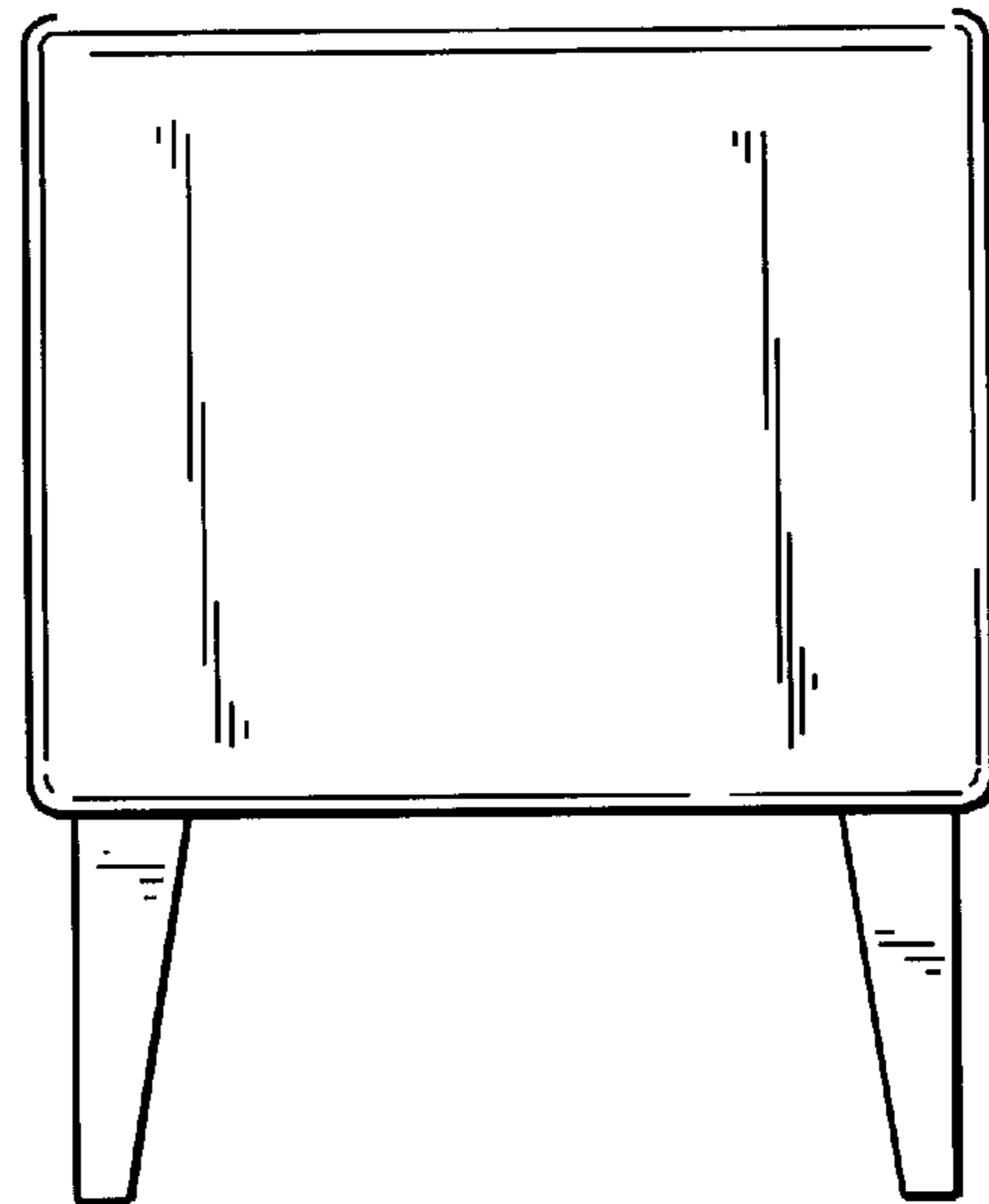


FIG. 6

