



US00D538547S

(12) **United States Design Patent**  
**Nastri**

(10) **Patent No.:** **US D538,547 S**

(45) **Date of Patent:** **\*\* Mar. 20, 2007**

(54) **SOFA**

(76) **Inventor:** **Giovanni Nastri**, Via Nazionale dei  
Giovi, 159, 20030 Lentate Sul Seveso  
(Milano) (IT)

(\*\*) **Term:** **14 Years**

(21) **Appl. No.:** **29/222,851**

(22) **Filed:** **Feb. 4, 2005**

(51) **LOC (8) Cl.** ..... **06-01**

(52) **U.S. Cl.** ..... **D6/381**

(58) **Field of Classification Search** ..... D6/334-335,  
D6/337, 357, 364, 371, 377, 381, 500-502;  
297/232, 233, 245, 248, 411.2, 411.42, 445.1,  
297/446.1, 448.1; 5/12.1

See application file for complete search history.

(56) **References Cited**

**U.S. PATENT DOCUMENTS**

D373,484 S	*	9/1996	Natuzzi et al.	.....	D6/381
D418,992 S	*	1/2000	Natuzzi et al.	.....	D6/381
D430,411 S	*	9/2000	Zaidman	.....	D6/334
D480,882 S	*	10/2003	Ricci	.....	D6/334
D482,891 S	*	12/2003	Ricci	.....	D6/381
D493,629 S	*	8/2004	Ricci	.....	D6/381

D495,516 S	*	9/2004	Ricci	.....	D6/381
D504,032 S	*	4/2005	Ricci	.....	D6/381
D510,818 S	*	10/2005	Nastri	.....	D6/381
D514,334 S	*	2/2006	Ricci	.....	D6/334
D521,270 S	*	5/2006	Natuzzi	.....	D6/381

**OTHER PUBLICATIONS**

Natuzzi sofa #1718, Sep. 1998, 1 pg.\*

\* cited by examiner

*Primary Examiner*—Sandra Snapp

(74) *Attorney, Agent, or Firm*—Hedman & Costigan, P.C.;  
James V. Costigan

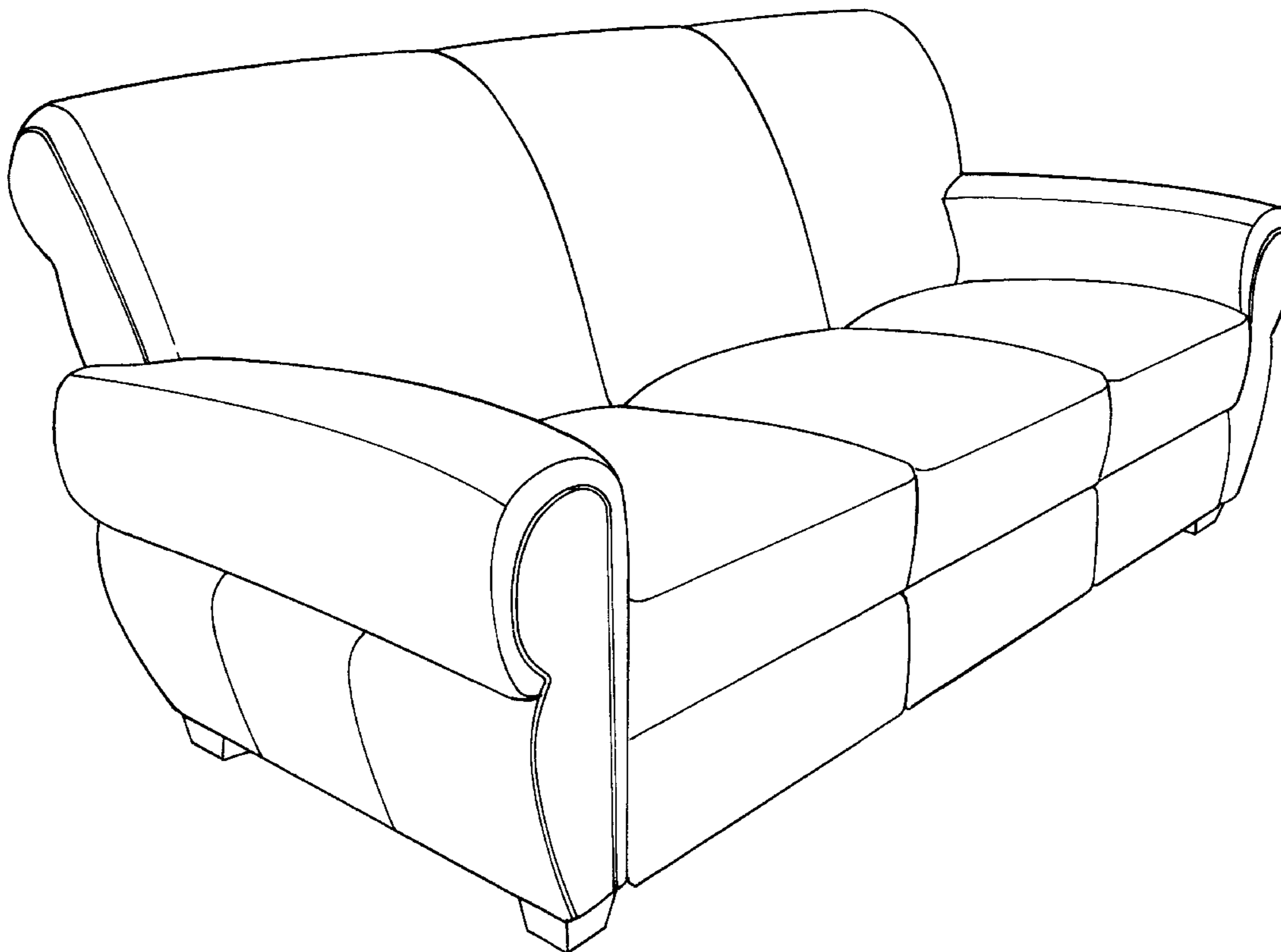
(57) **CLAIM**

The ornamental design for a sofa, as shown and described.

**DESCRIPTION**

FIG. 1 is a front perspective view of an embodiment of a sofa according to the invention;  
FIG. 2 is a front view of a sofa according to the invention;  
FIG. 3 is a back view of the sofa;  
FIG. 4 is a right side view of the sofa;  
FIG. 5 is a left side view of the sofa;  
FIG. 6 is a top view of the sofa; and,  
FIG. 7 is a bottom view of the sofa.

**1 Claim, 6 Drawing Sheets**



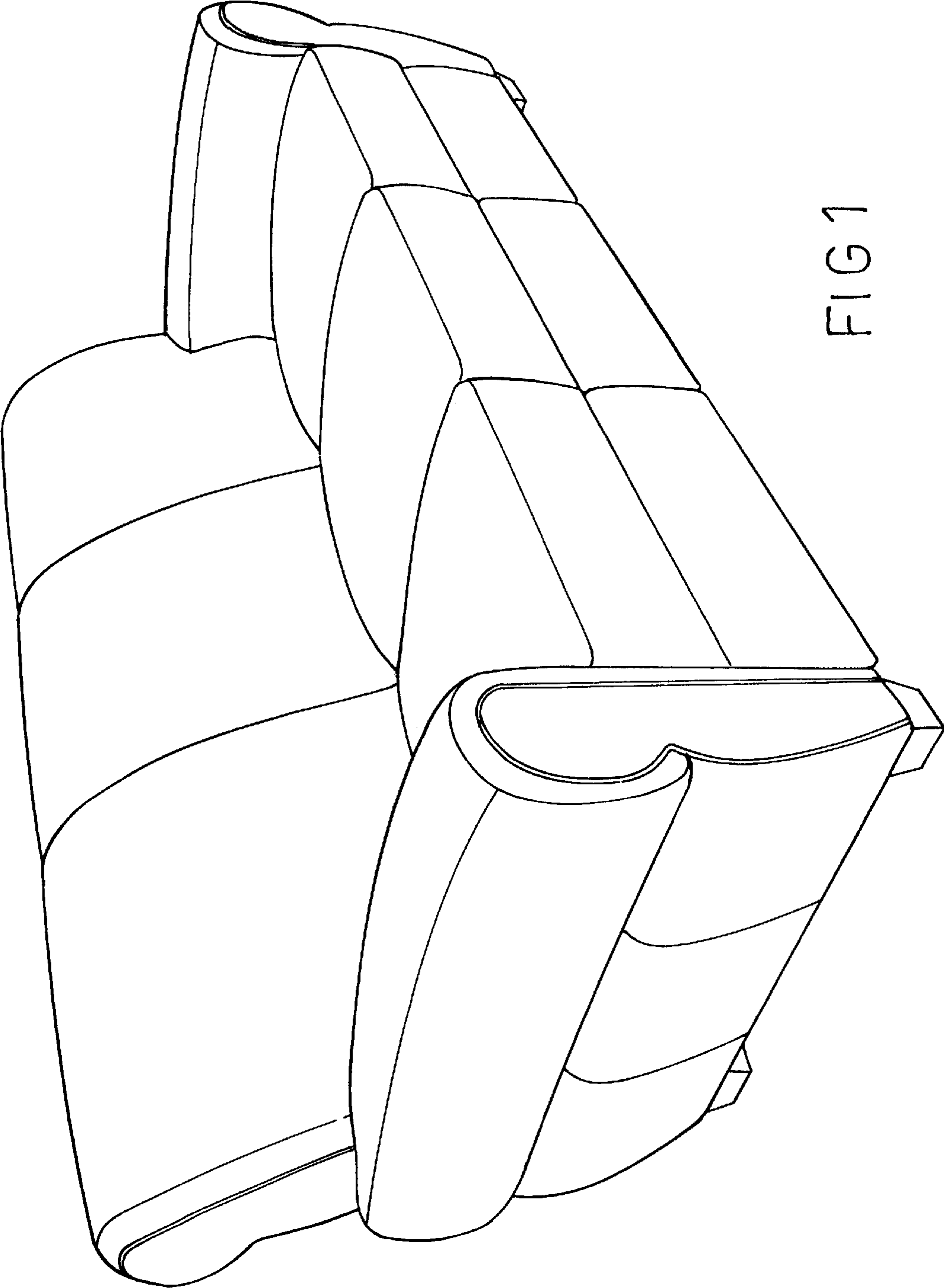


FIG 1

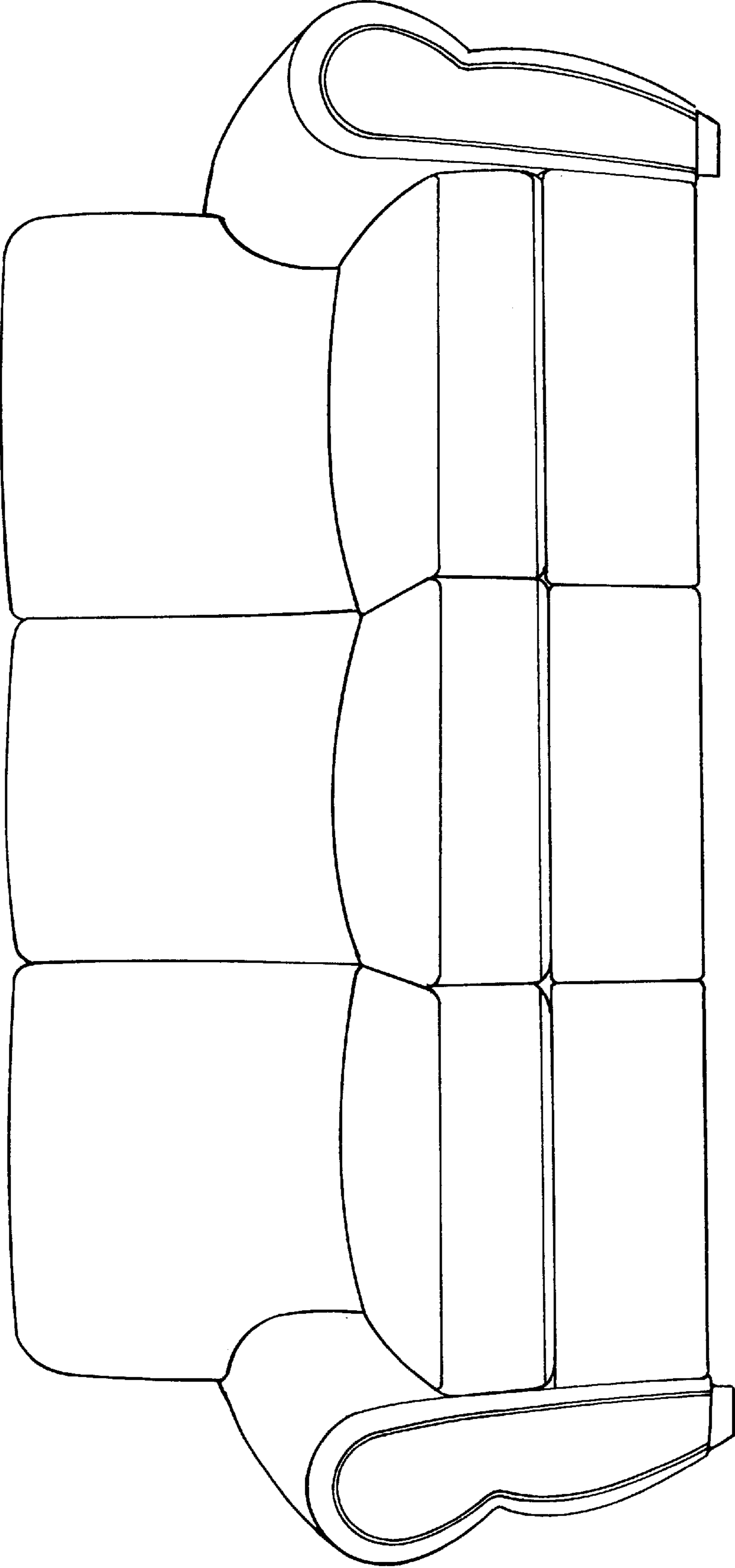


FIG 2

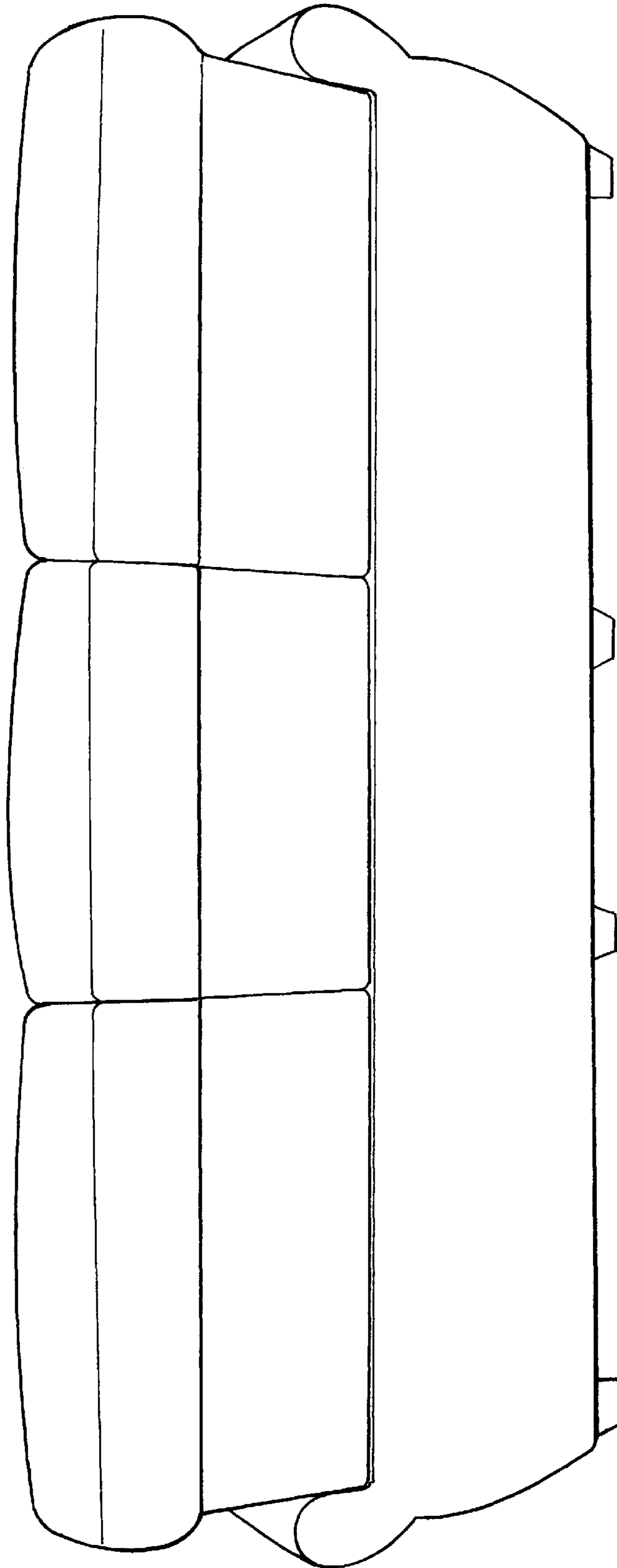


FIG 3

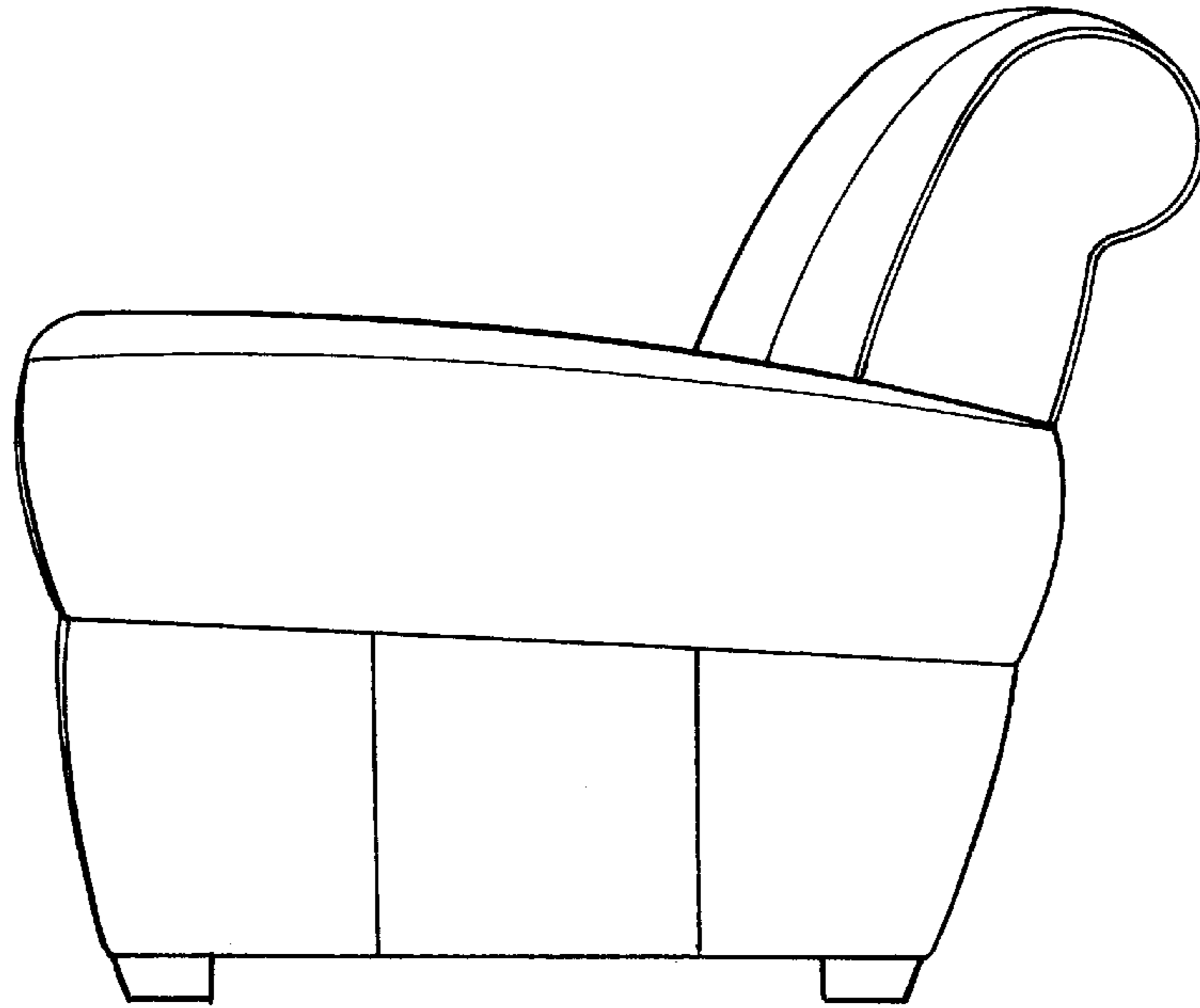


FIG 4

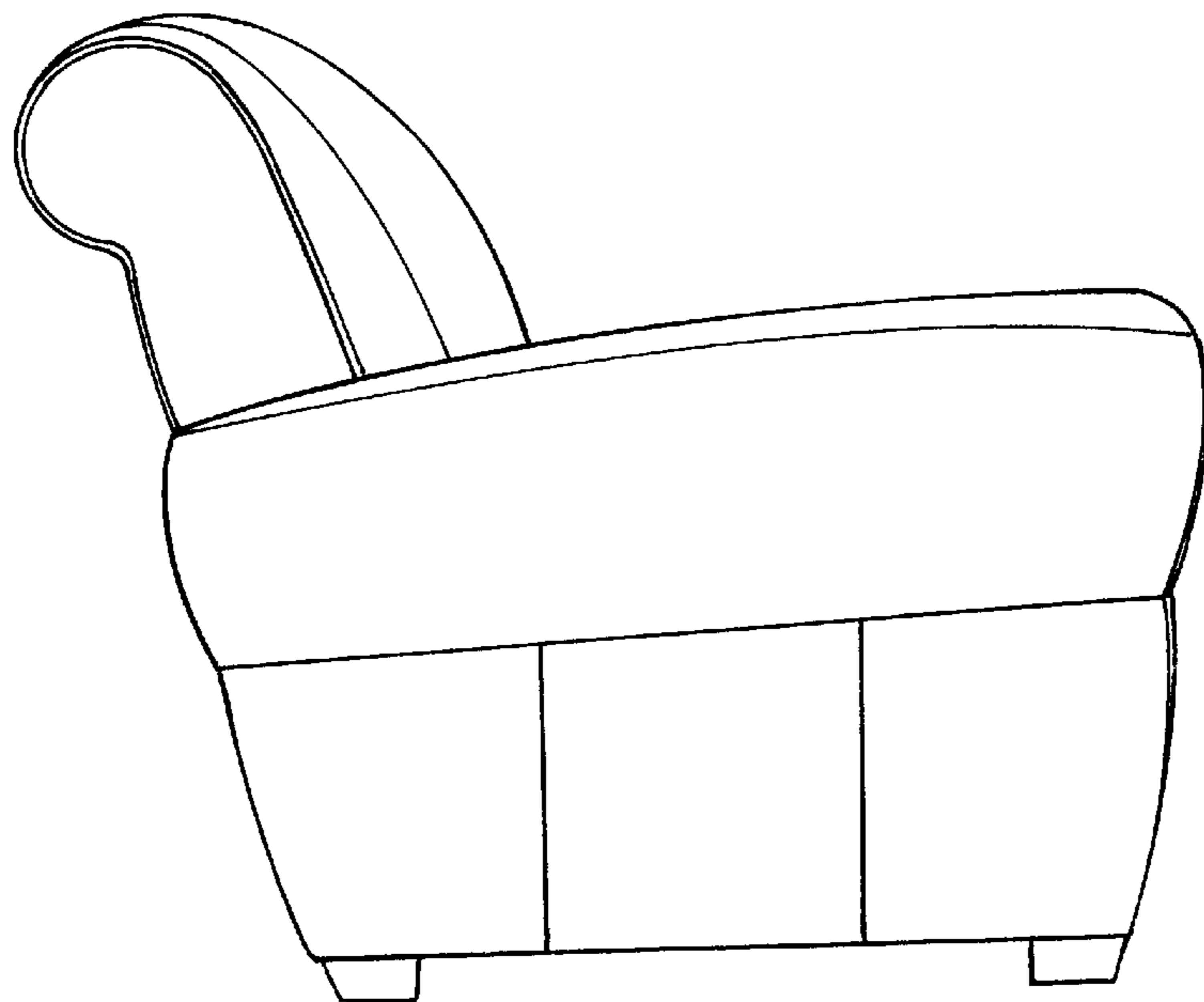


FIG 5

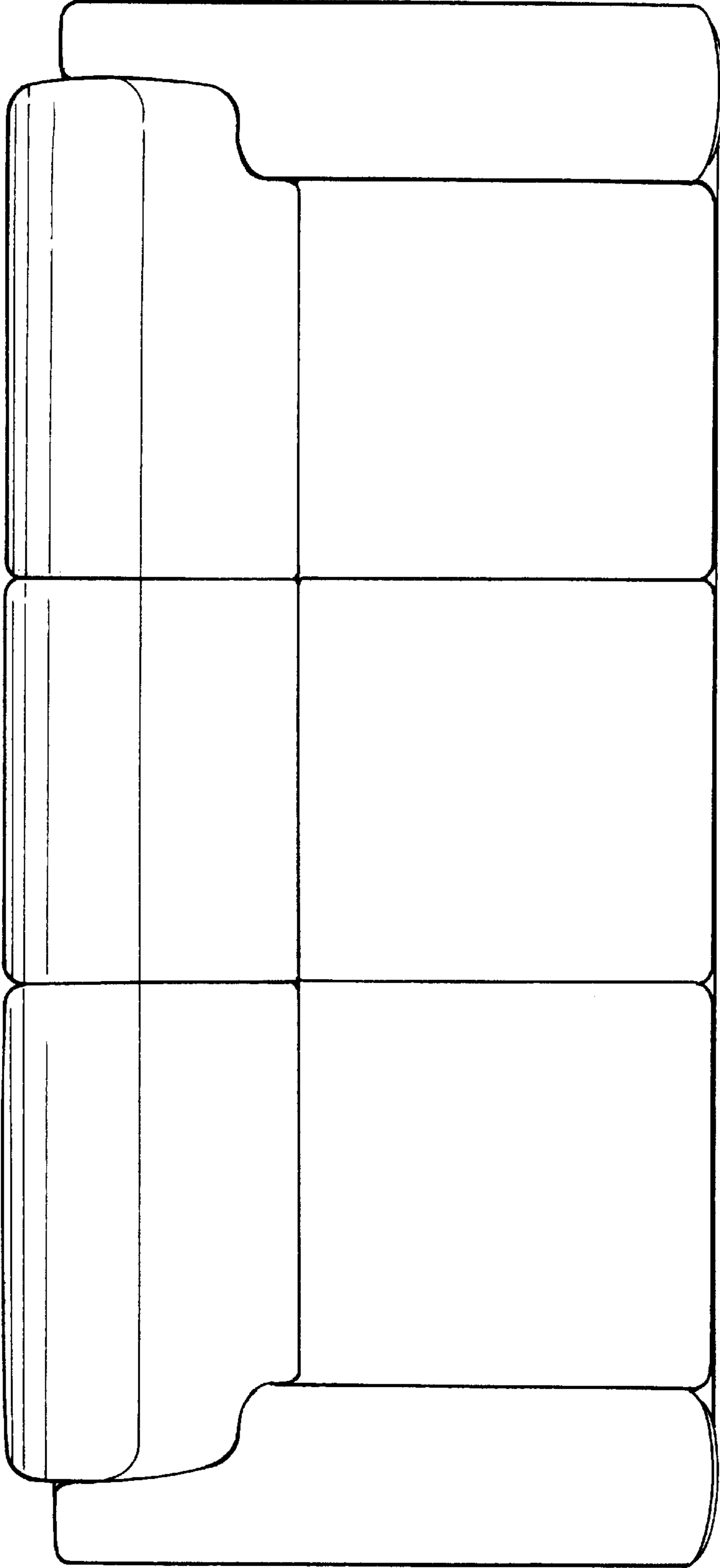


FIG 6

FIG 7

