



US00D538542S

(12) **United States Design Patent**
Hunsader

(10) **Patent No.:** **US D538,542 S**
(45) **Date of Patent:** **** Mar. 20, 2007**

(54) **LINT REMOVER**

(75) Inventor: **Paula L. Hunsader**, Green Bay, WI
(US)

(73) Assignee: **PierThomas, LLC**, Green Bay, WI
(US)

(**) Term: **14 Years**

(21) Appl. No.: **29/258,424**

(22) Filed: **Apr. 21, 2006**

(51) **LOC (8) Cl.** **04-02**

(52) **U.S. Cl.** **D4/137**

(58) **Field of Classification Search** D4/122,
D4/128, 137, 138; D8/90; D28/7; D32/51;
15/104.001, 104.002, 143.1, 209.1, 210.1;
451/524

See application file for complete search history.

(56) **References Cited**

U.S. PATENT DOCUMENTS

1,448,964	A	*	3/1923	Jones	15/210.1
2,347,856	A	*	5/1944	Wachter	451/524
2,401,842	A	*	6/1946	Slater	15/104.002
2,763,968	A	*	9/1956	Burns	451/524
3,040,352	A	*	6/1962	Vian	15/104.002
D309,378	S	*	7/1990	Kiesz	D4/128
7,107,643	B1	*	9/2006	McKay	15/104.002

* cited by examiner

Primary Examiner—Alan P. Douglas
Assistant Examiner—Lavone D. Tabor

(74) *Attorney, Agent, or Firm*—Andrus, Scales, Starke & Sawall, LLP

(57) **CLAIM**

The ornamental design for a lint remover, as shown and described.

DESCRIPTION

FIG. 1 is a perspective view of a lint remover showing my new ornamental design;

FIG. 2 is a front view of the lint remover shown in FIG. 1;

FIG. 3 is a rear view of the lint remover shown in FIG. 1;

FIG. 4 is a view of the lint remover taken from the left side of FIG. 3;

FIG. 5 is a view of the lint remover taken from the right side of FIG. 3;

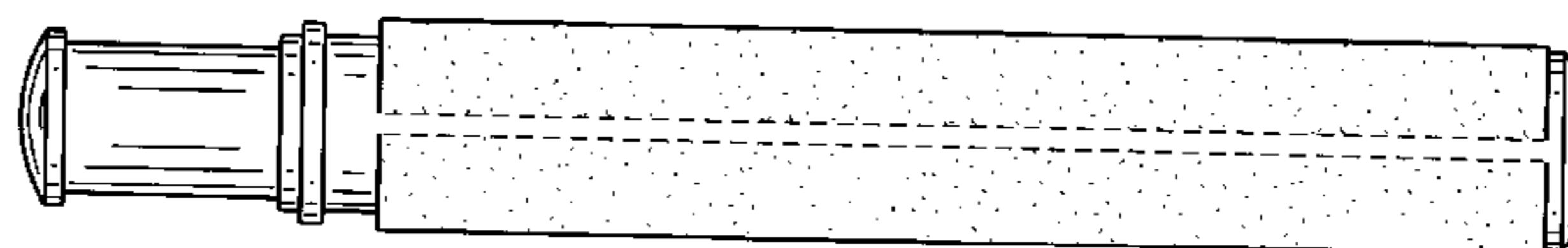
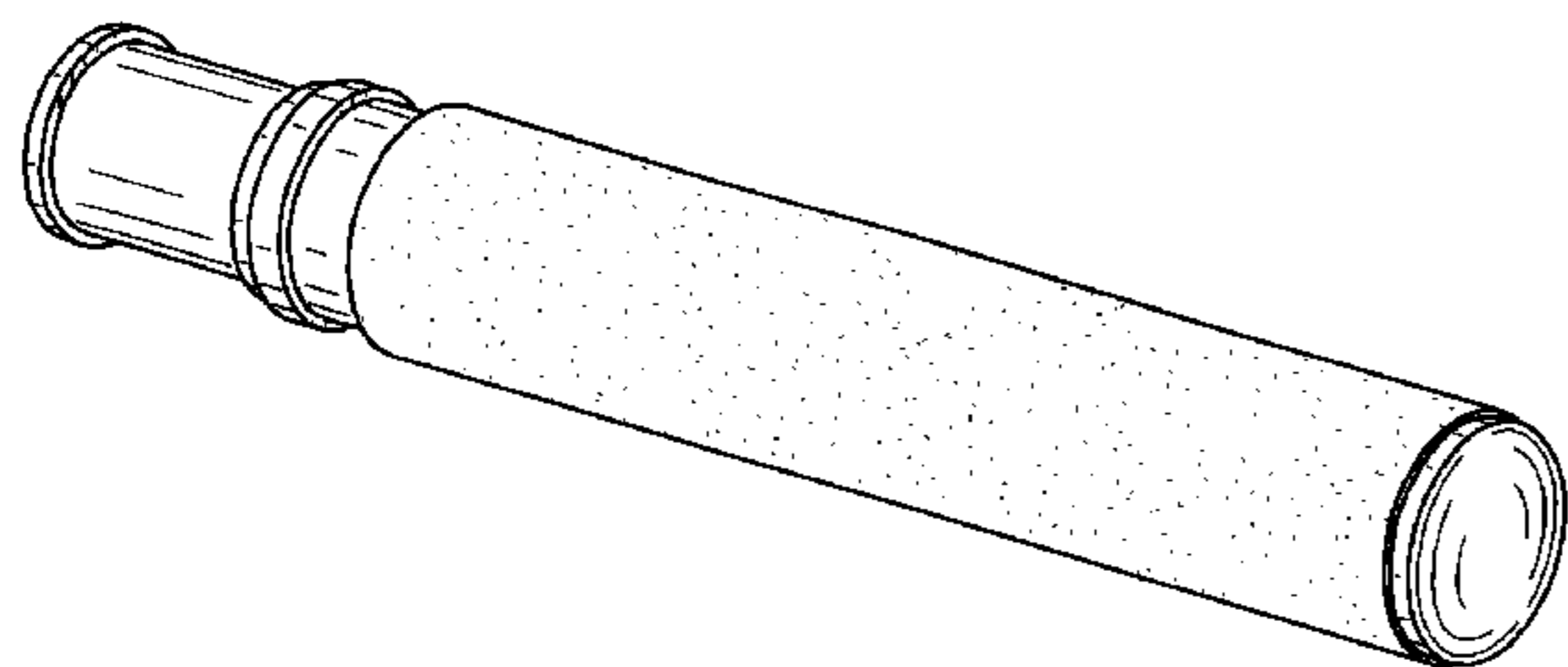
FIG. 6 is a reduced perspective view of the lint remover shown in FIG. 1 together with a cap removed therefrom as shown in phantom lines;

FIG. 7 is an enlarged perspective view of the lint remover and cap of FIG. 6 in assembled form with the cap shown in phantom lines; and,

FIG. 8 is an enlarged front view of FIG. 7.

The broken lines shown in FIG. 3 represent the bounds of the claim and the broken line showing of a cap in FIGS. 6–7 is included for the purpose of illustrating environmental structure. None of the broken lines form part of the claimed design.

1 Claim, 2 Drawing Sheets



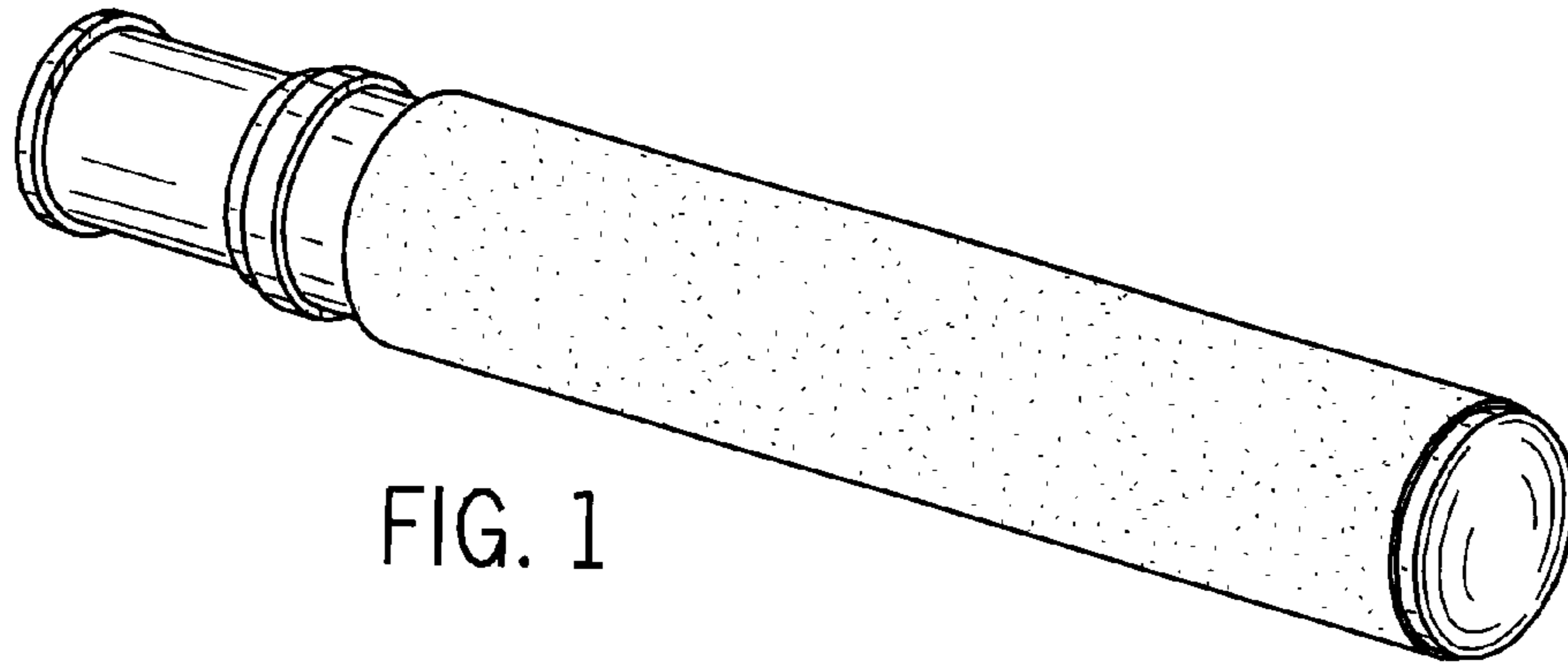


FIG. 1

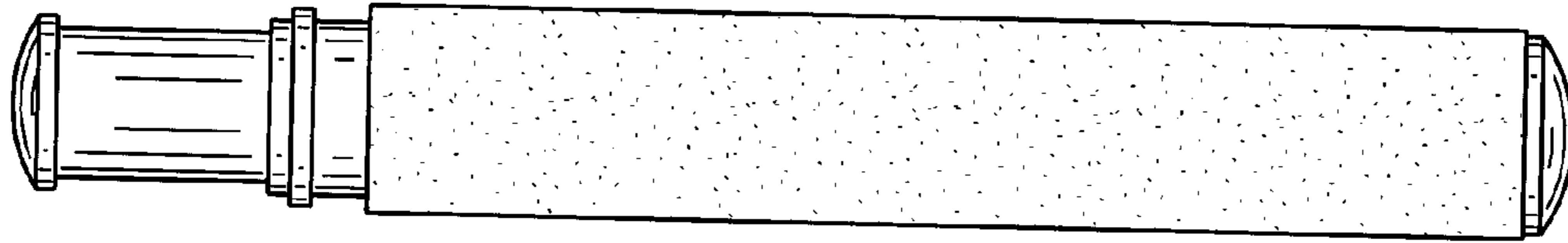


FIG. 2

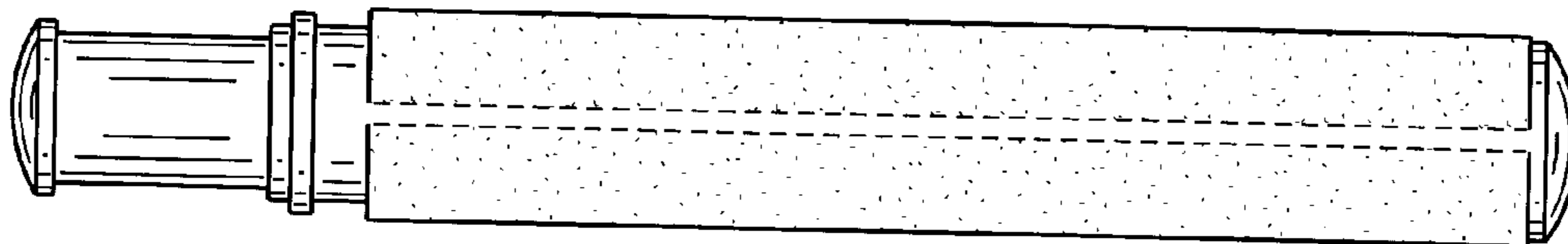


FIG. 3

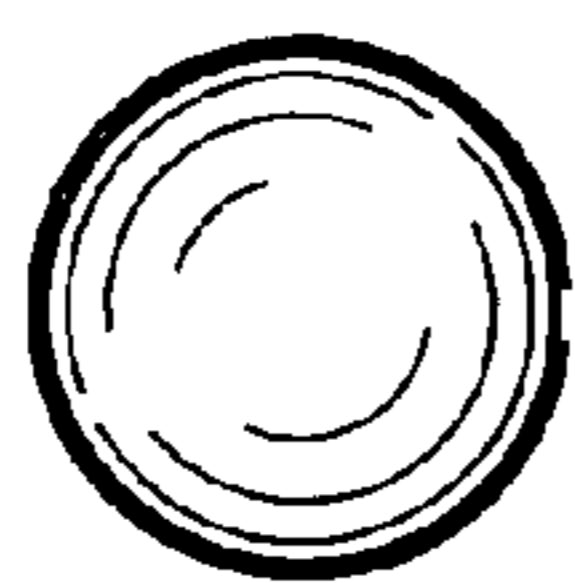


FIG. 4

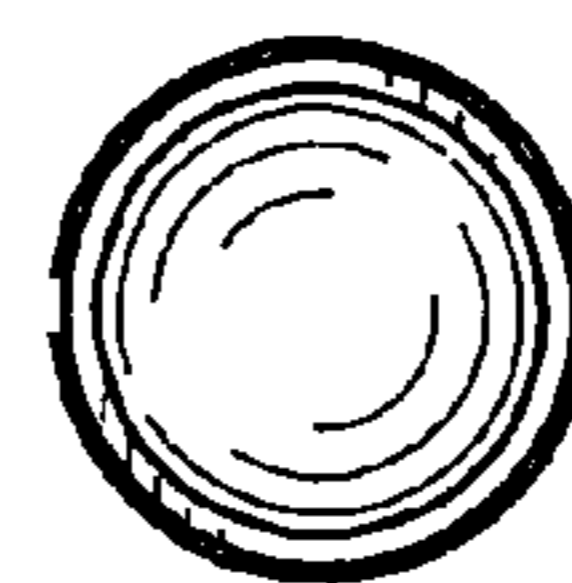


FIG. 5

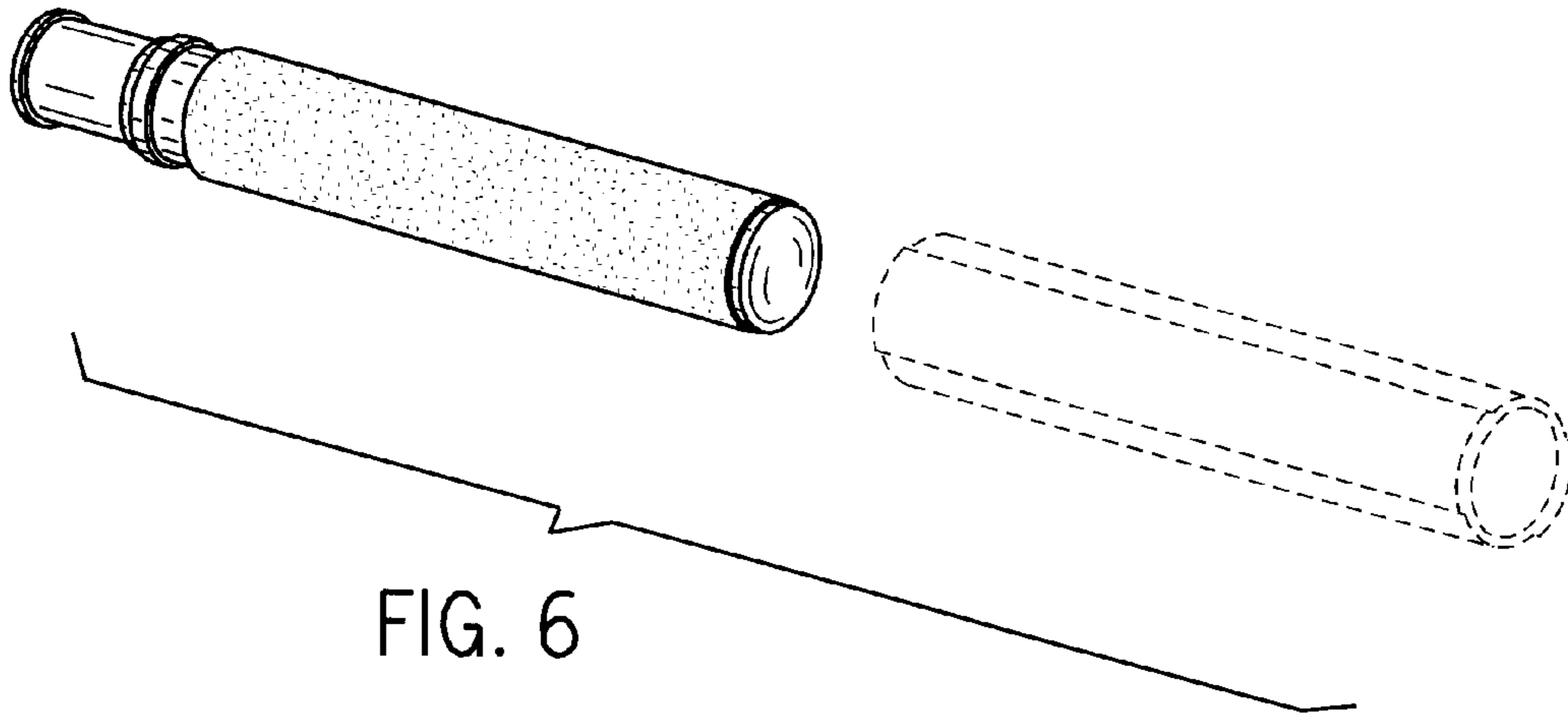


FIG. 6

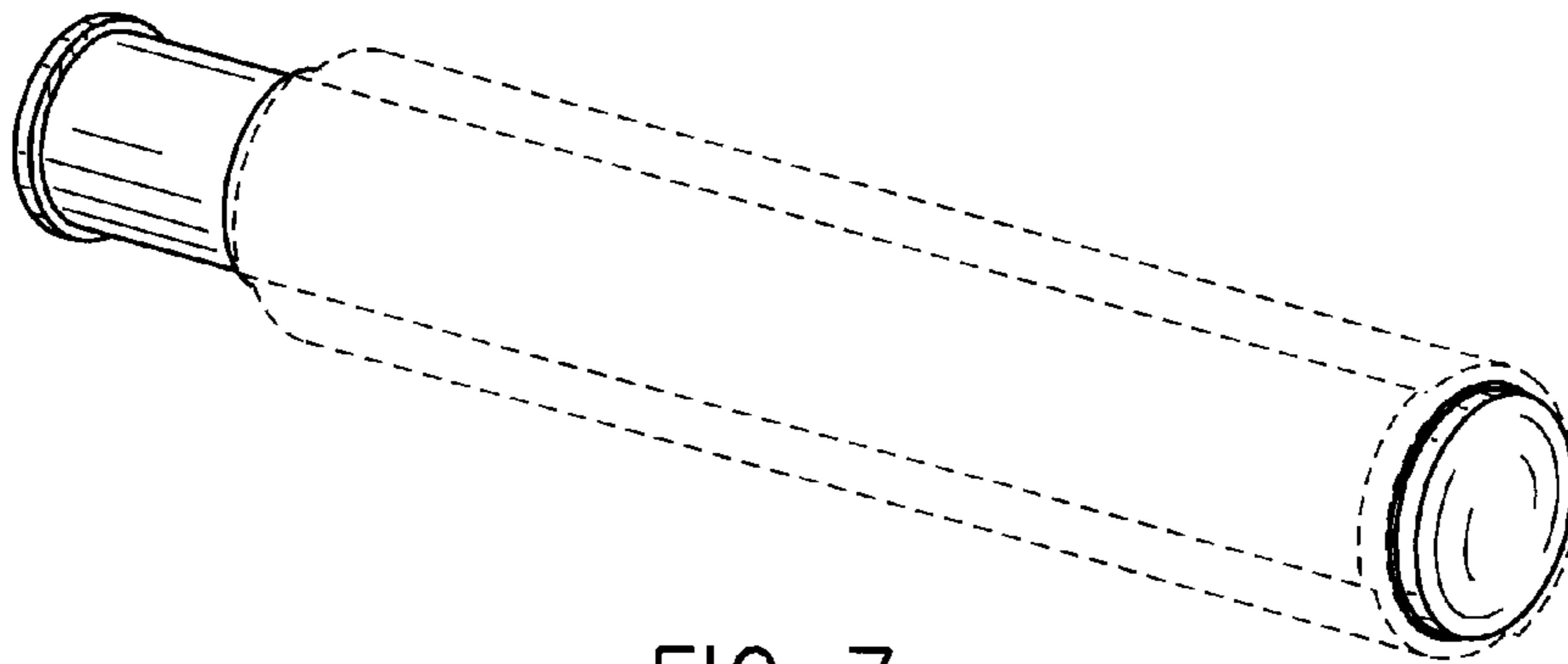


FIG. 7

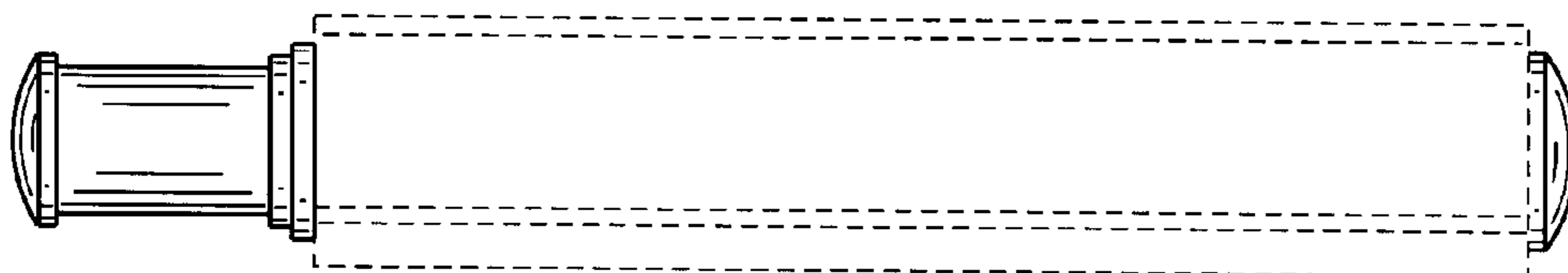


FIG. 8