



US00D538540S

(12) **United States Design Patent**
Barouh

(10) **Patent No.:** **US D538,540 S**

(45) **Date of Patent:** **** Mar. 20, 2007**

(54) **GOLF BAG ATTACHMENT**

(75) Inventor: **Victor Barouh**, Old Westbury, NY (US)

(73) Assignee: **Barouh Eaton Allen Corp.**, Brooklyn, NY (US)

(**) Term: **14 Years**

(21) Appl. No.: **29/262,943**

(22) Filed: **Jul. 14, 2006**

(51) **LOC (8) Cl.** **03-01**

(52) **U.S. Cl.** **D3/320**

(58) **Field of Classification Search** D3/221,
D3/224, 254, 255, 257, 259, 320; 206/315.5,
206/315.9; 221/199; 224/0.5, 191, 251, 274,
224/919; 280/DIG. 6, 13; 473/405

See application file for complete search history.

(56) **References Cited**

U.S. PATENT DOCUMENTS

2,768,775	A	*	10/1956	Houser	224/919
D306,375	S	*	3/1990	Stack	D3/224
D321,032	S	*	10/1991	Marthaler et al.	D3/257
D366,143	S	*	1/1996	Guzman	D3/221
6,102,263	A	*	8/2000	Rosato et al.	224/196
D448,555	S	*	10/2001	deLong	D3/221

* cited by examiner

Primary Examiner—Louis S. Zarfes

Assistant Examiner—Monica A. Weingart

(74) *Attorney, Agent, or Firm*—Dinesh Agarwal, P.C.

(57) **CLAIM**

The ornamental design for a golf bag attachment, as shown and described.

DESCRIPTION

FIG. 1 is a perspective view of a golf bag attachment showing my new design;

FIG. 2 is a front elevational view of the golf bag attachment of FIG. 1;

FIG. 3 is a left side view of the golf bag attachment of FIG. 1, the right side view being a mirror image thereof;

FIG. 4 is a rear elevational view of the golf bag attachment of FIG. 1;

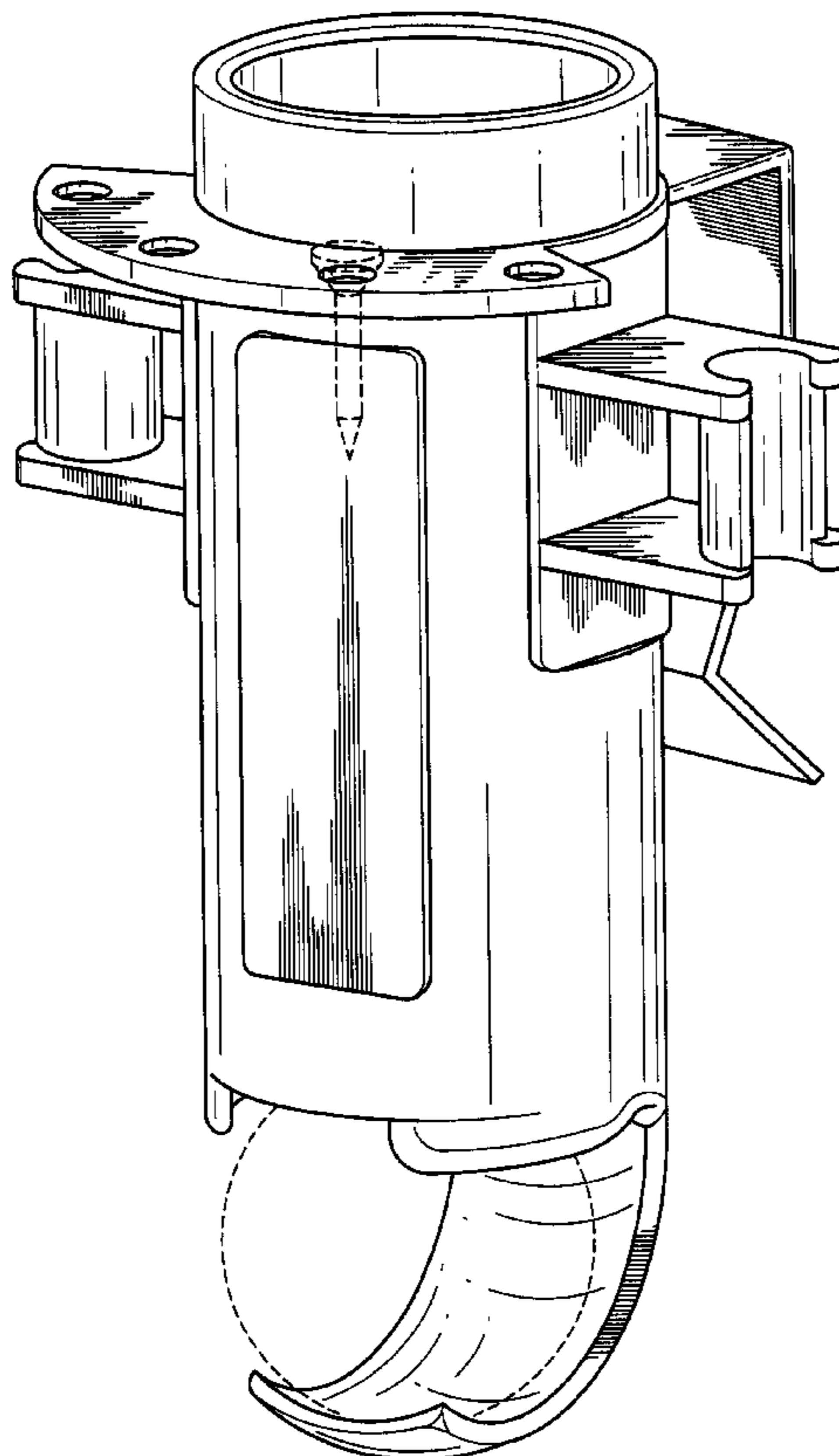
FIG. 5 is a top plan view of the golf bag attachment of FIG. 1;

FIG. 6 is a bottom plan view of the golf bag attachment of FIG. 1; and,

FIG. 7 is a perspective view of the golf bag attachment of FIG. 1, shown in use on a golf bag.

The matter shown in phantom lines in FIGS. 1 and 7 is for illustrative purposes only and forms no part of the claimed design.

1 Claim, 6 Drawing Sheets



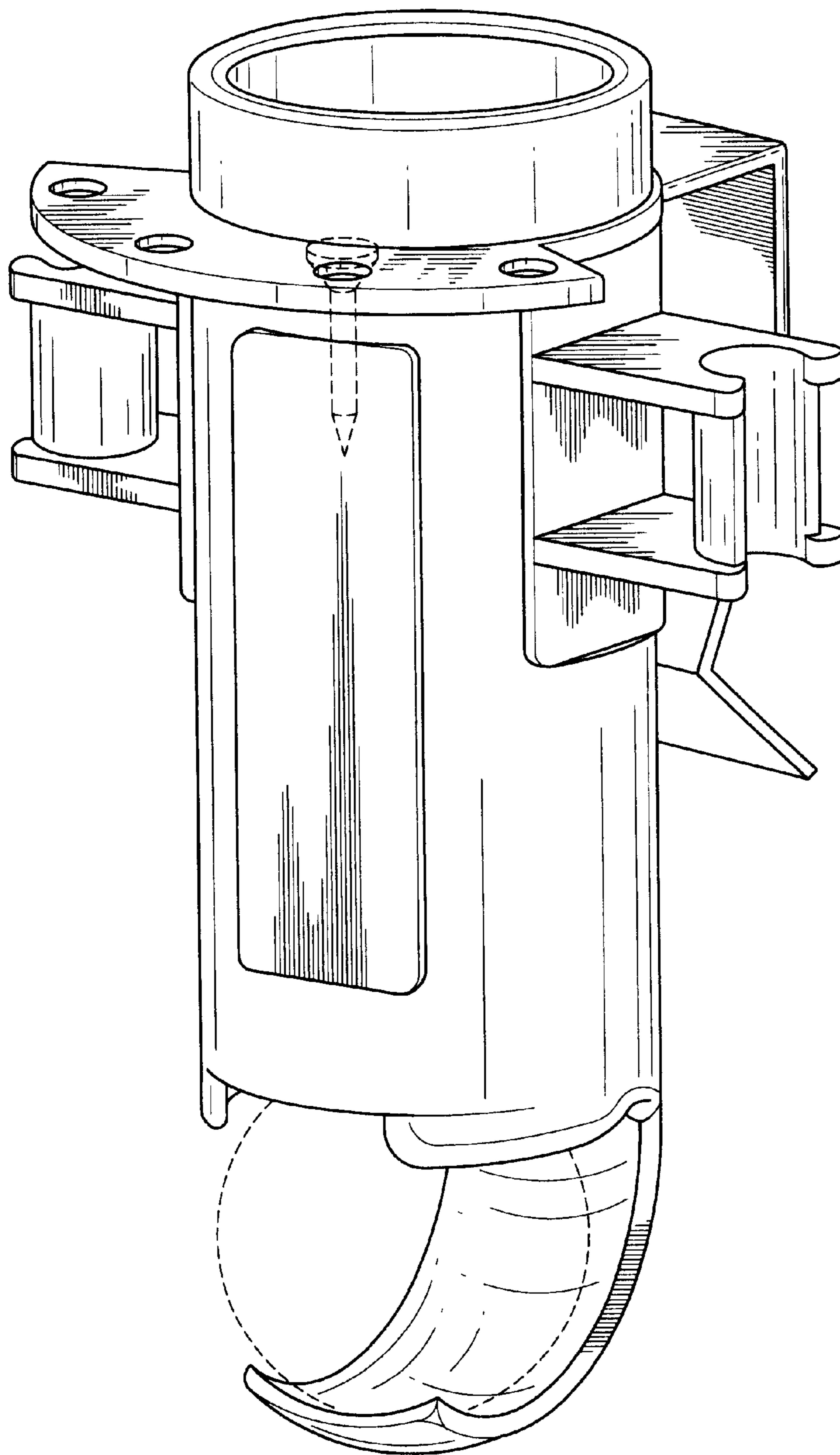


FIG. 1

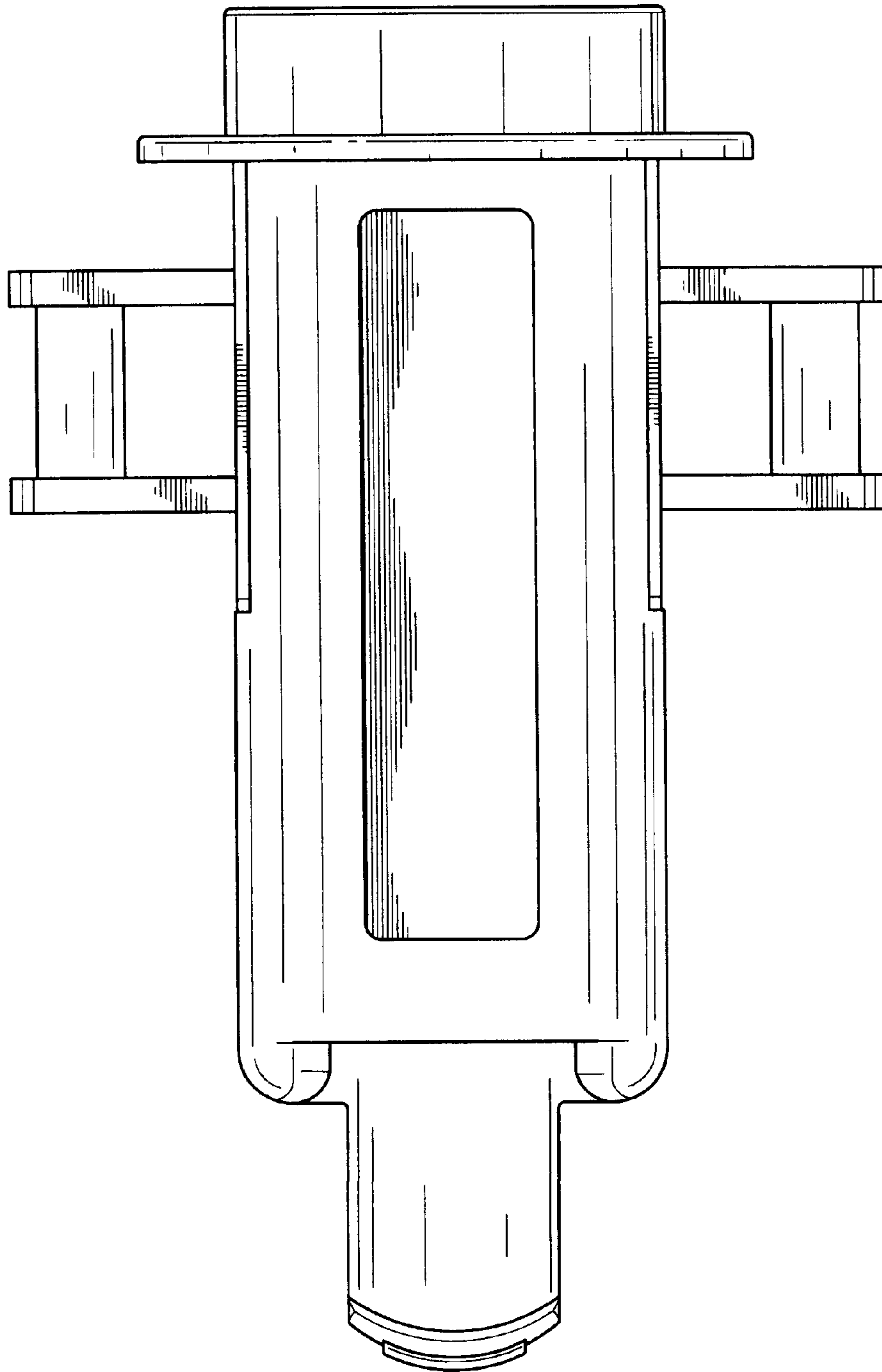


FIG. 2

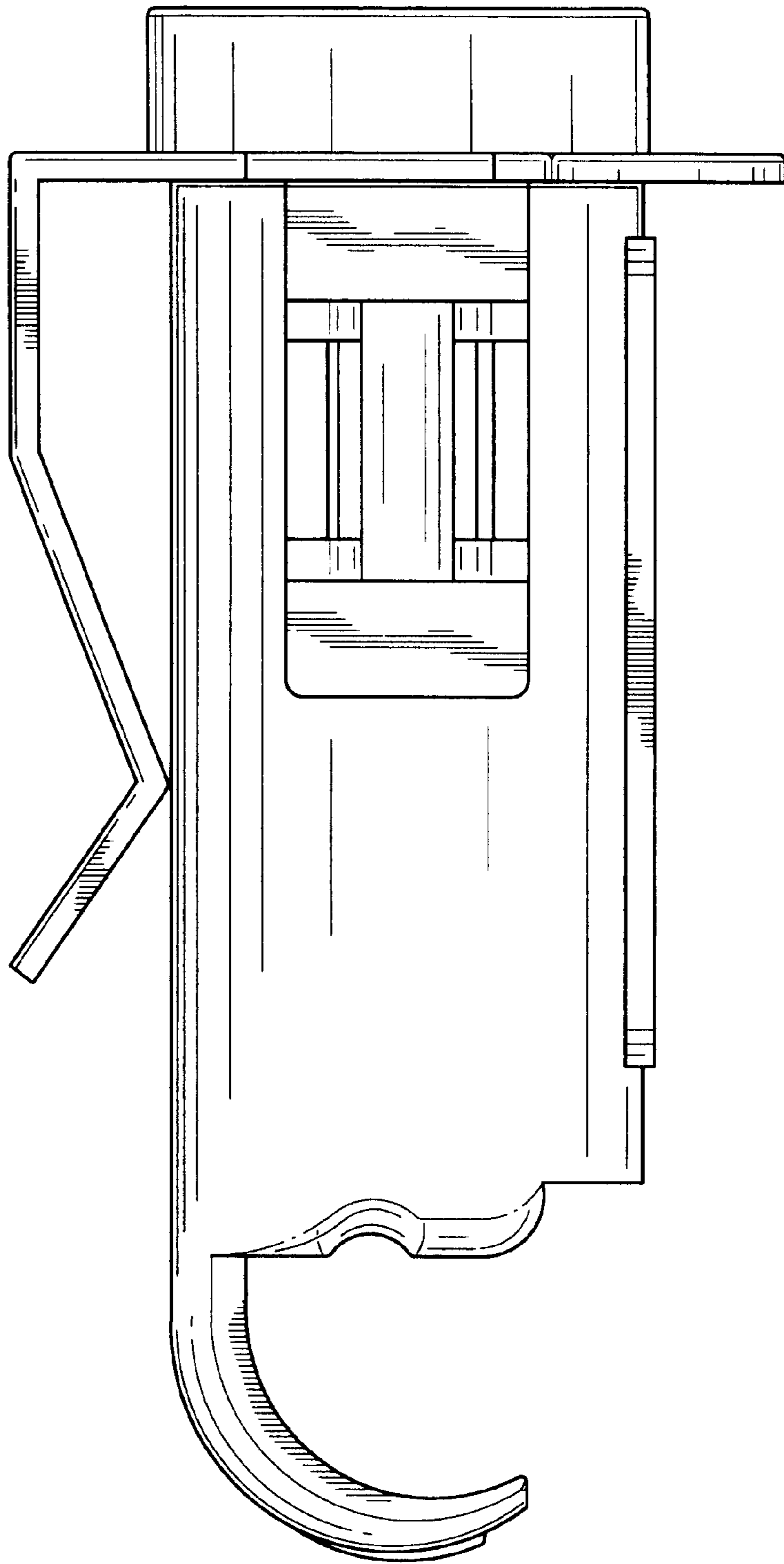


FIG. 3

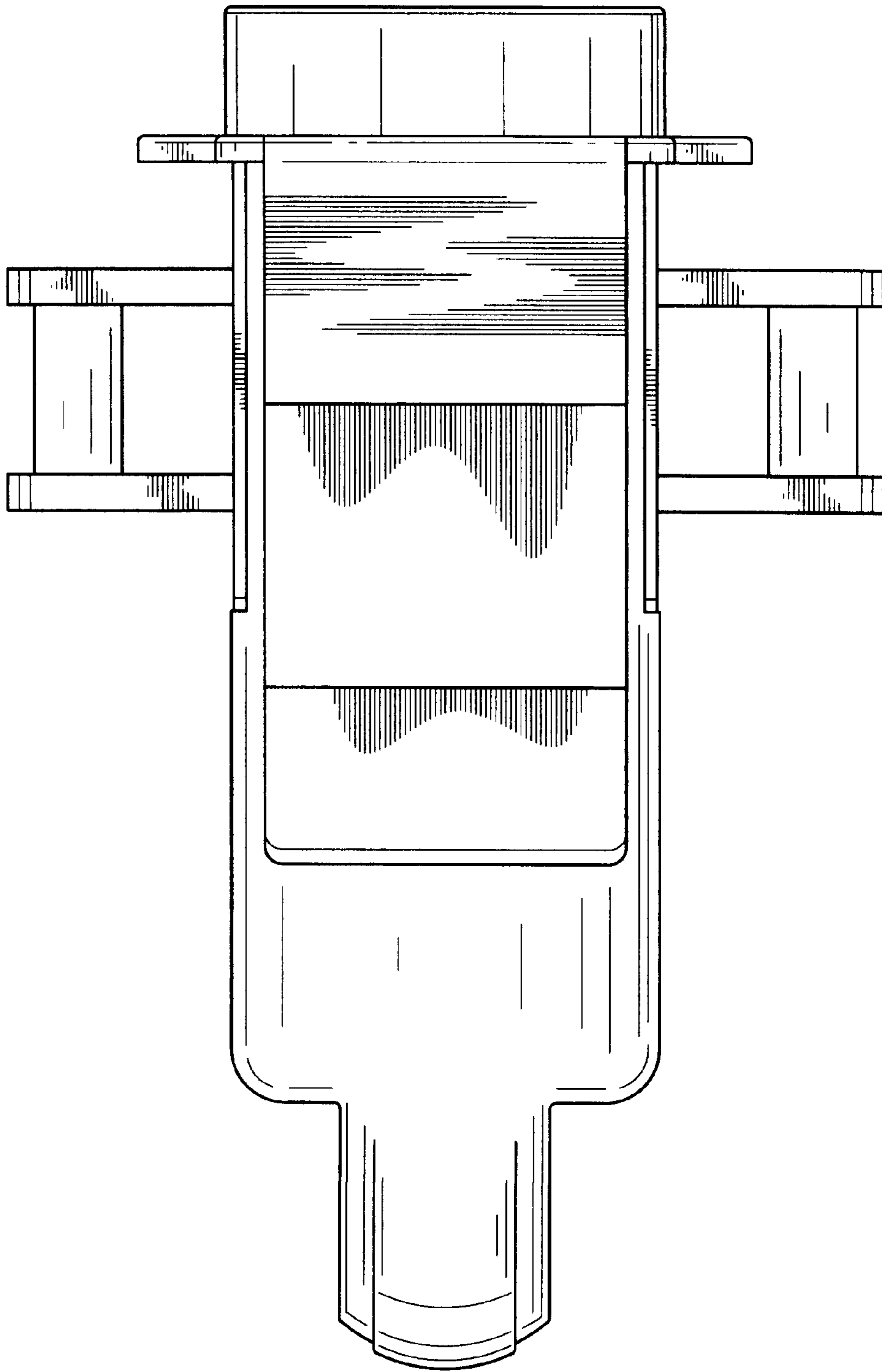


FIG. 4

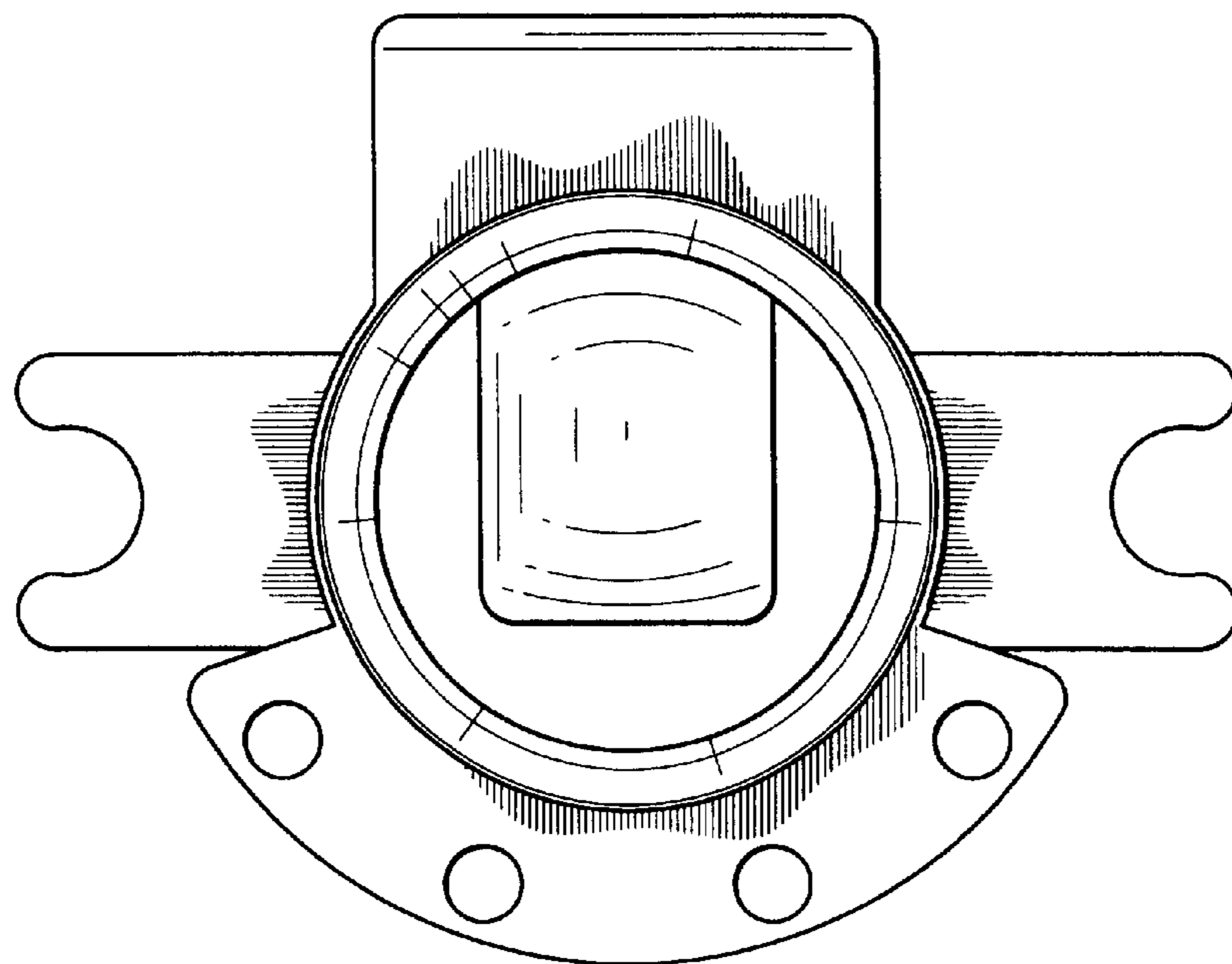


FIG. 5

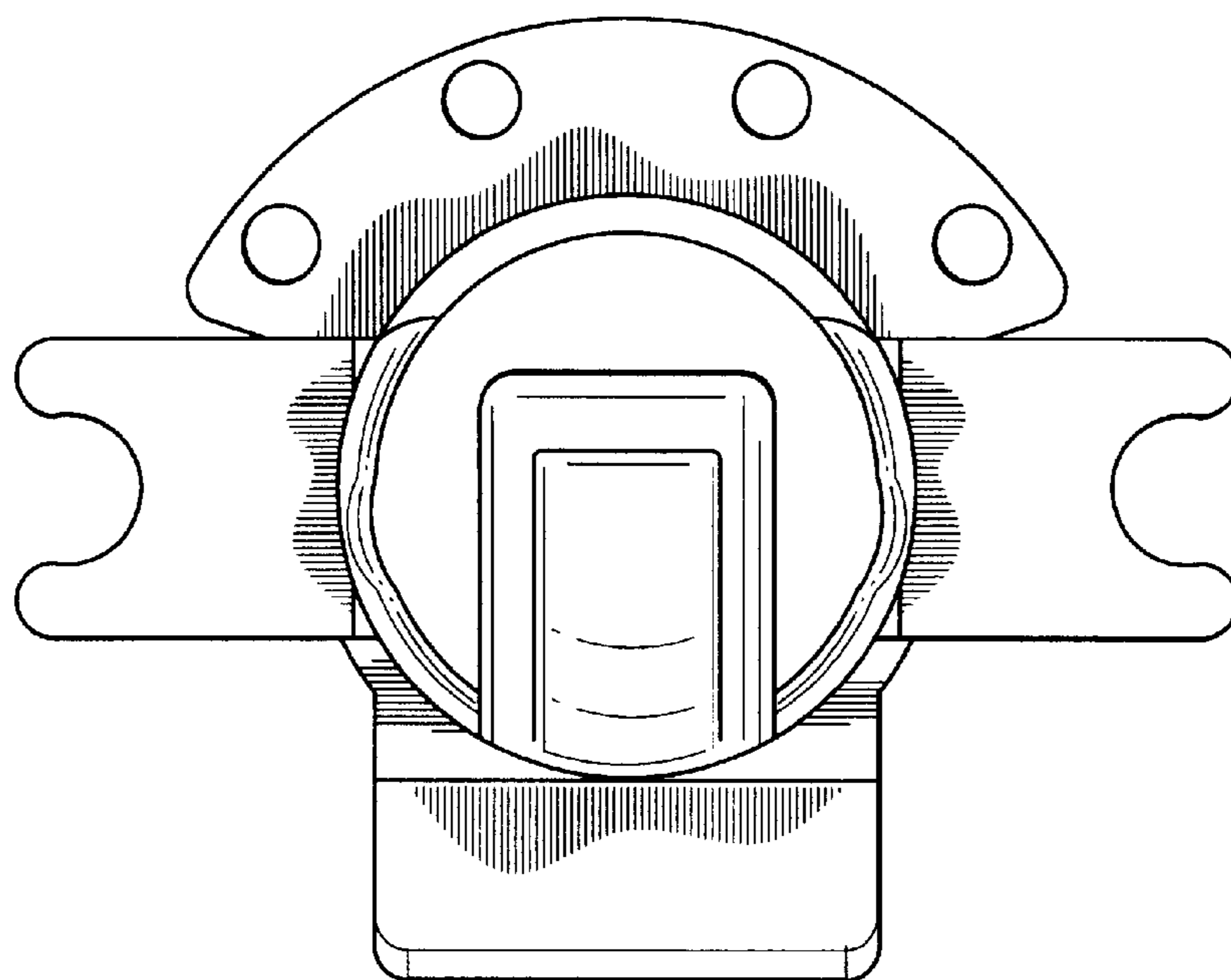


FIG. 6

FIG. 7

