



US00D538539S

(12) **United States Design Patent**
Richardson et al.

(10) **Patent No.:** **US D538,539 S**
(45) **Date of Patent:** **** Mar. 20, 2007**

(54) **RESIN PARTS BIN**

(75) Inventors: **Jed C. Richardson**, Batavia, IL (US);
Torrence Anderson, Batavia, IL (US)

(73) Assignee: **Suncast Corp.**, Batavia, IL (US)

(**) Term: **14 Years**

(21) Appl. No.: **29/254,362**

(22) Filed: **Feb. 22, 2006**

(51) **LOC (8) Cl.** **03-01**

(52) **U.S. Cl.** **D3/314**

(58) **Field of Classification Search** D3/301–315,
D3/276, 203, 294, 279; D11/156, 147; D24/226–227;
D9/425, 700, 432–435, 420, 456, 760, 414;
D12/133; 206/528; D6/436, 469, 407, 396,
D6/475–476, 525; D19/75–78; D30/107;
220/4.33; D34/19; D32/46; 226/643; D8/330;
D7/620, 706, 409, 542; 229/162.1, 100, 122
See application file for complete search history.

(56) **References Cited**

U.S. PATENT DOCUMENTS

D191,144 S	*	8/1961	Shanz et al.	D3/307
D224,369 S	*	7/1972	Mears	D3/304
D242,659 S	*	12/1976	Clipson et al.	D3/307
4,473,155 A	*	9/1984	Howitt	206/505
D301,927 S	*	6/1989	Williams, Jr.	D3/304
D309,970 S	*	8/1990	Embree et al.	D3/304
D311,799 S	*	10/1990	Embree et al.	D3/294
D336,698 S	*	6/1993	Conaway et al.	D3/307
D392,295 S	*	3/1998	Johnson	D15/81

D403,293 S	*	12/1998	Soderstrom	D12/410
D409,387 S	*	5/1999	Yemini	D3/307
D517,319 S	*	3/2006	Wisnoski et al.	D3/304
2006/0169658 A1	*	8/2006	Lim et al.	211/133.1

* cited by examiner

Primary Examiner—Louis S. Zarfaz

(74) *Attorney, Agent, or Firm*—McHale & Slavin PA

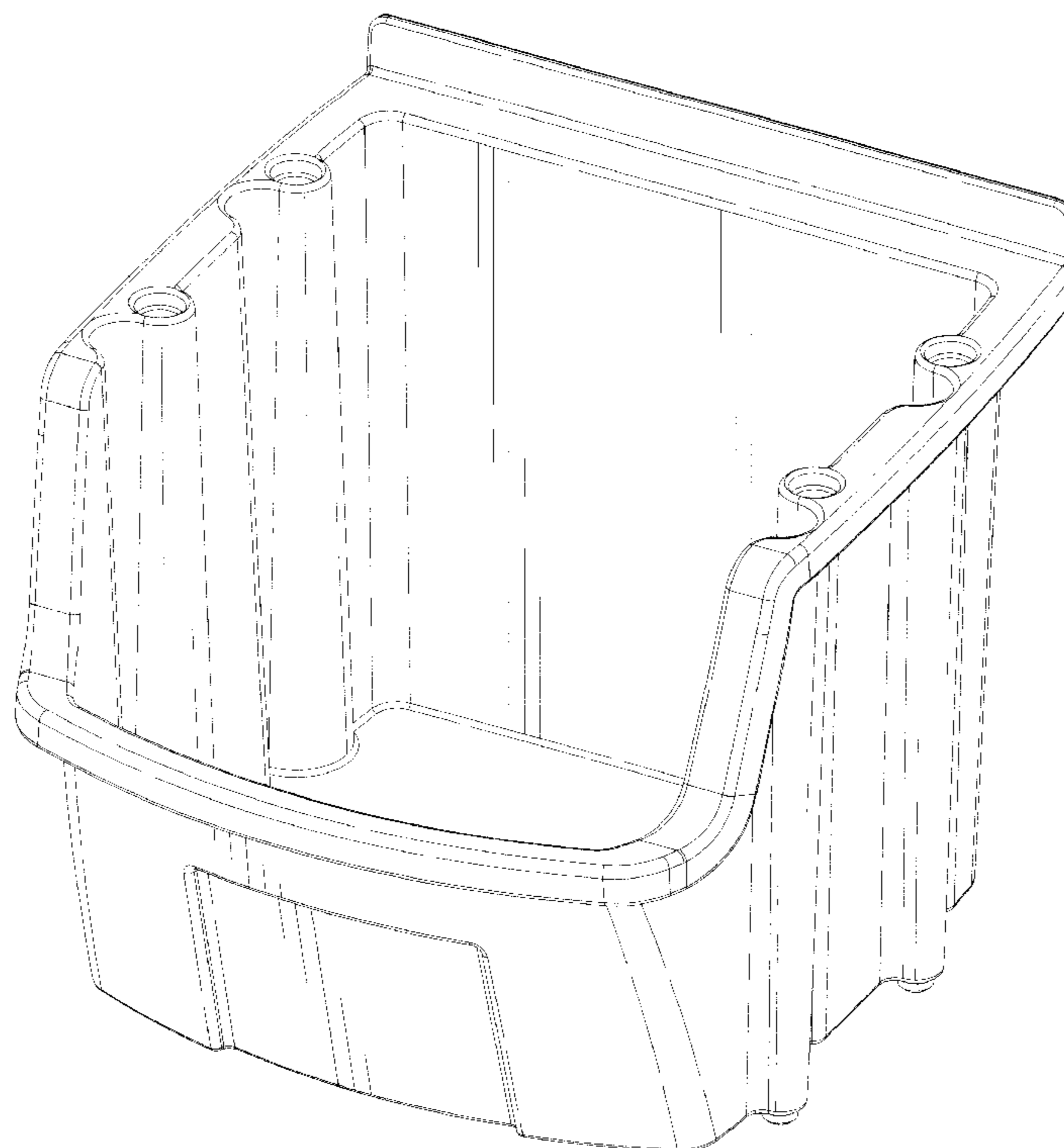
(57) **CLAIM**

The ornamental design for a resin parts bin, as shown and described.

DESCRIPTION

FIG. 1 is a front perspective view of the resin parts bin of the instant invention;
 FIG. 2 is a rear perspective view of the resin parts bin of the instant invention;
 FIG. 3 is a front plan view thereof;
 FIG. 4 is a rear plan view thereof;
 FIG. 5 is a left plan view thereof;
 FIG. 6 is a right plan view thereof;
 FIG. 7 is a top plan view thereof;
 FIG. 8 is a bottom plan view thereof;
 FIG. 9 is a front perspective view illustrating the instant invention in a stacked arrangement;
 FIG. 10 is a right plan view illustrating the instant invention in a nested arrangement; and,
 FIG. 11 is a right plan view illustrating the instant invention in cooperation with a slatted wall.
 The broken line showing is for illustrative purposes only and forms no part of the claimed design.

1 Claim, 8 Drawing Sheets



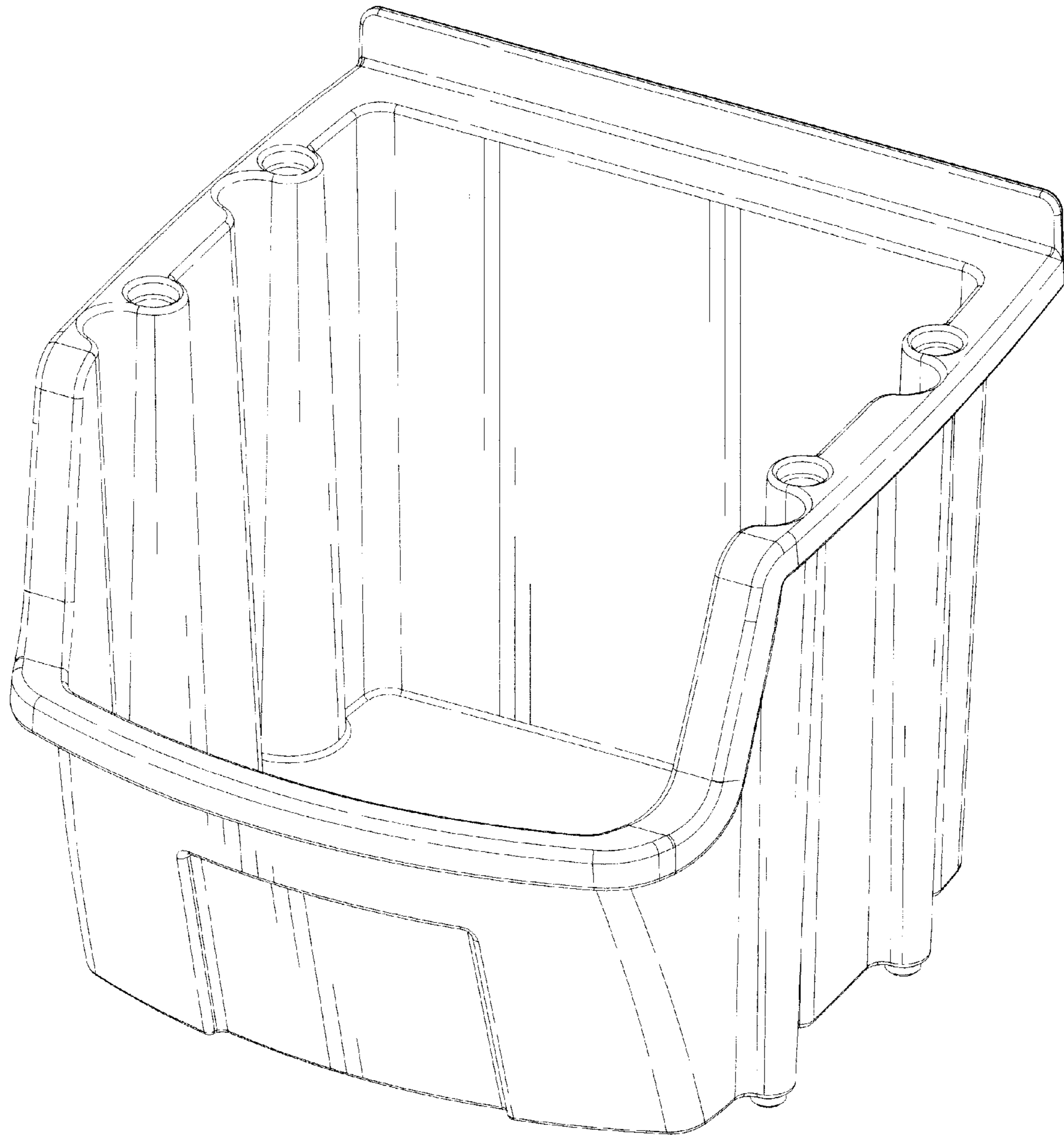


Figure 1

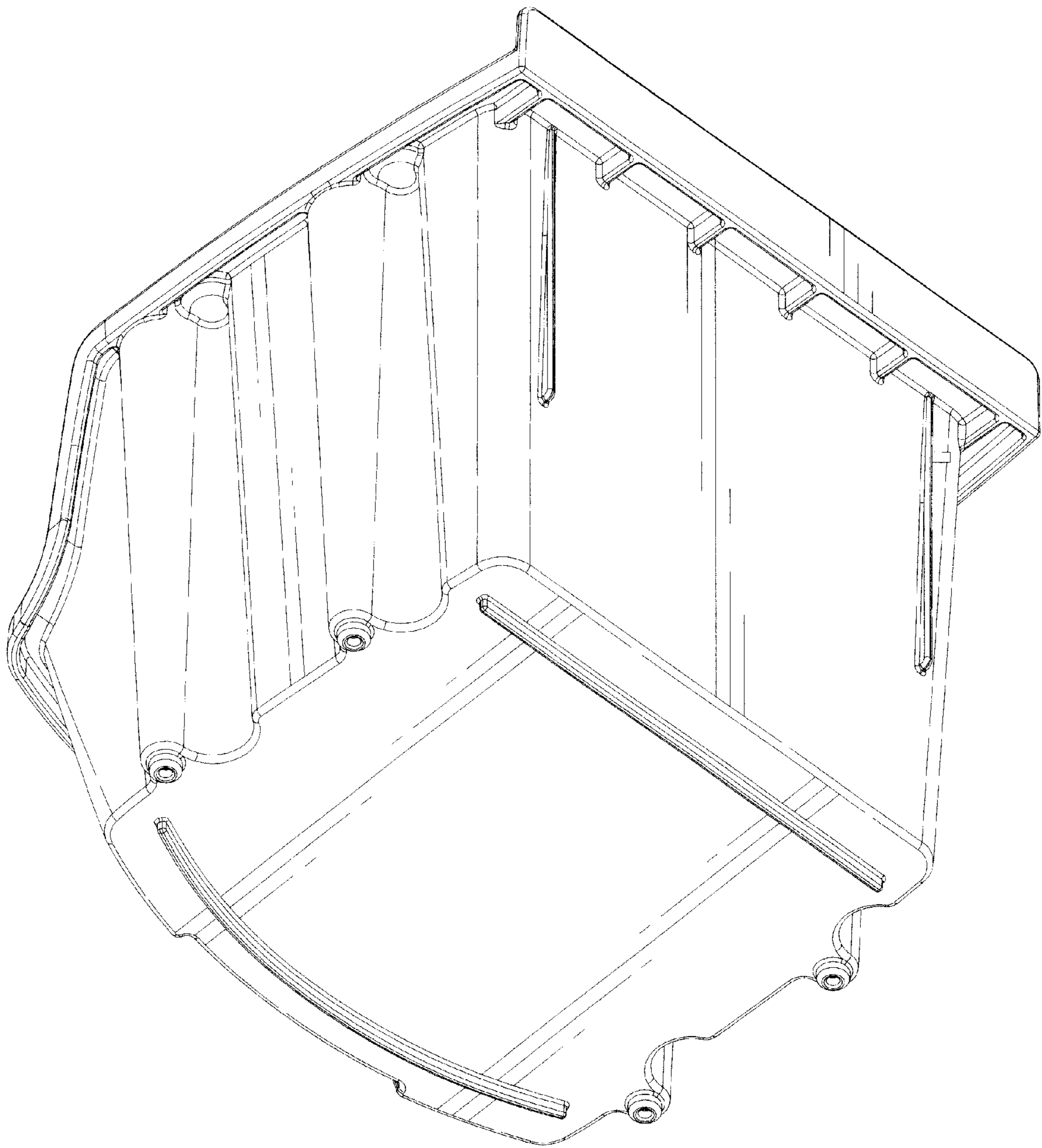


Figure 2

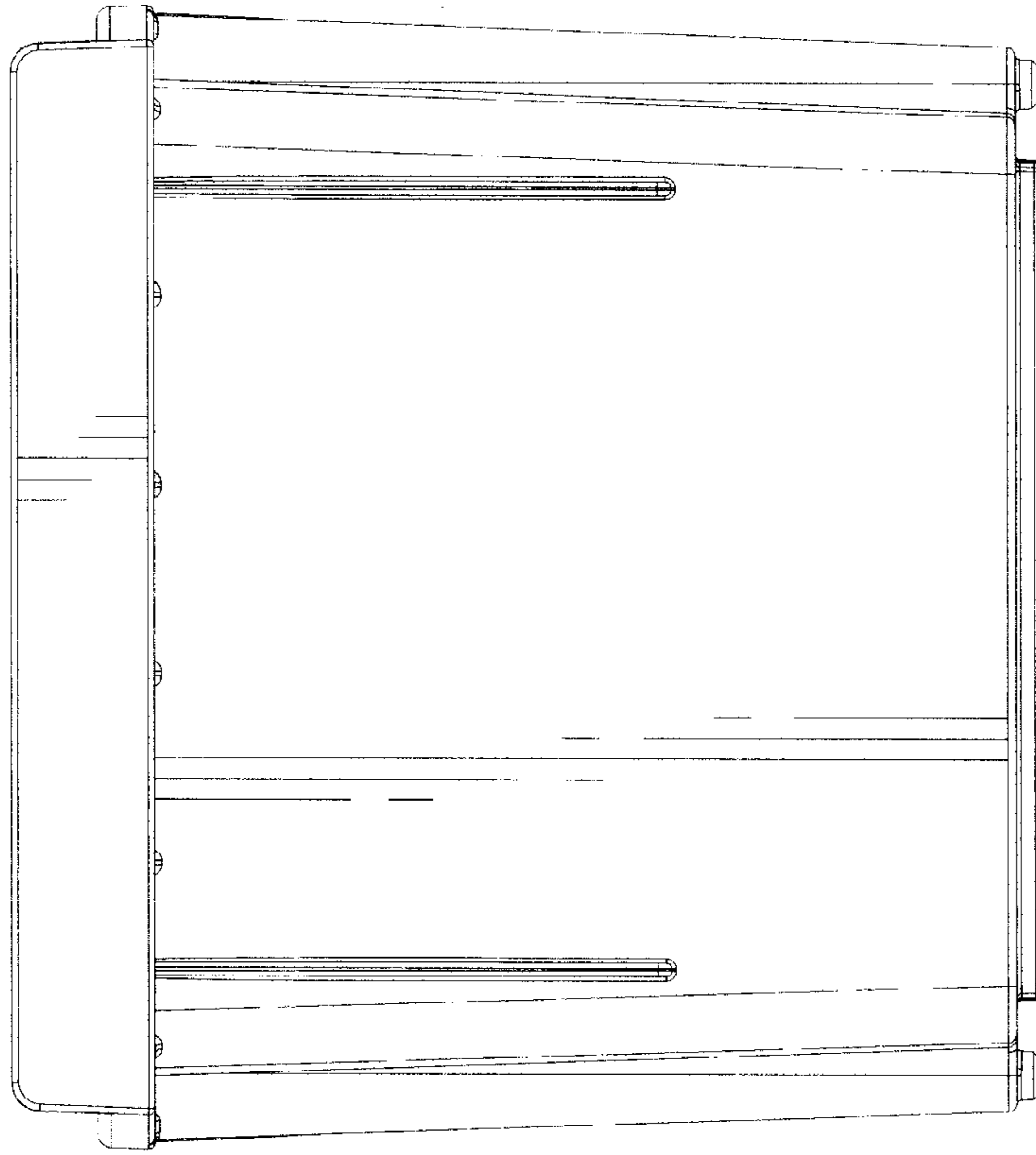


Figure 4

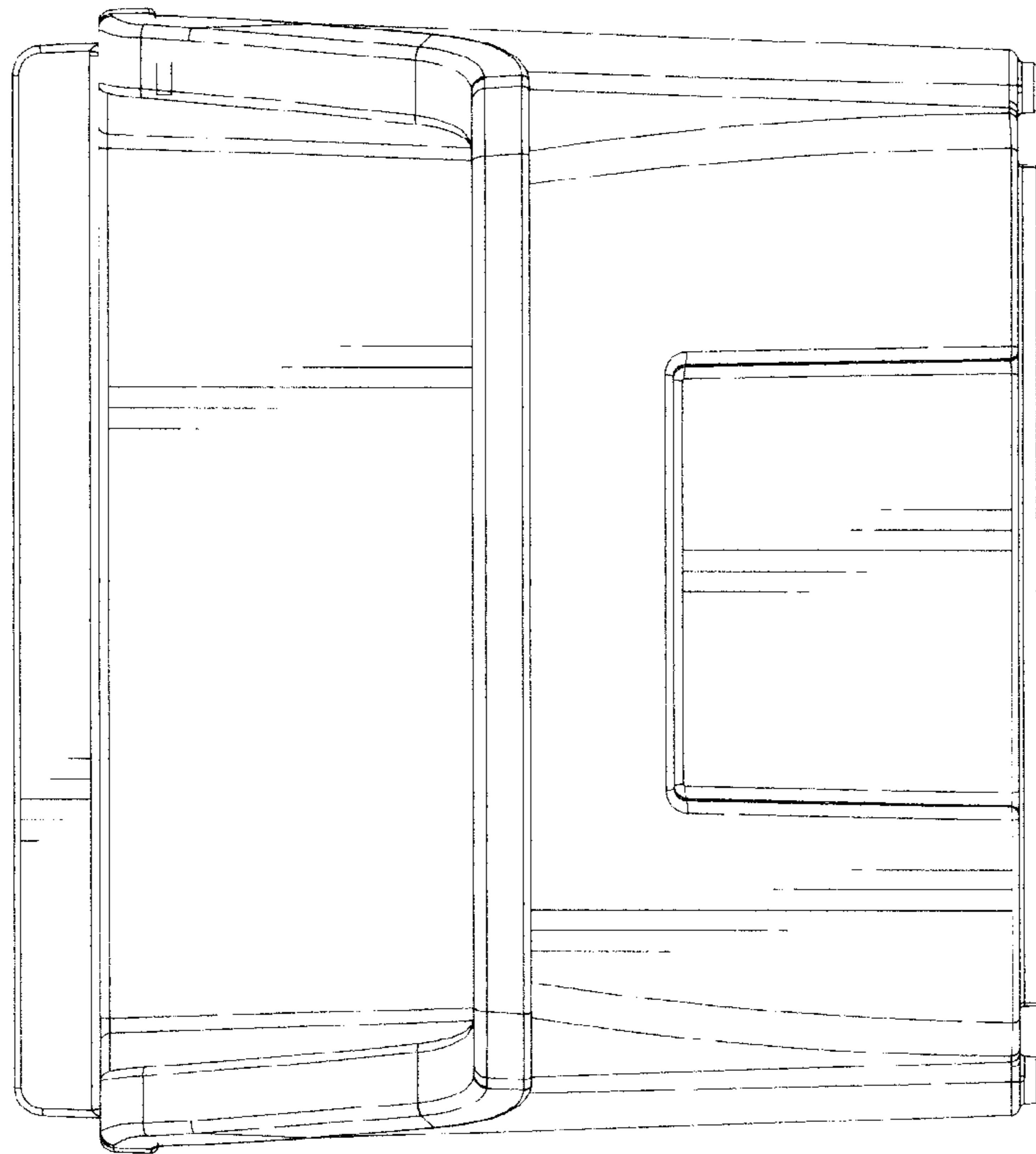


Figure 3

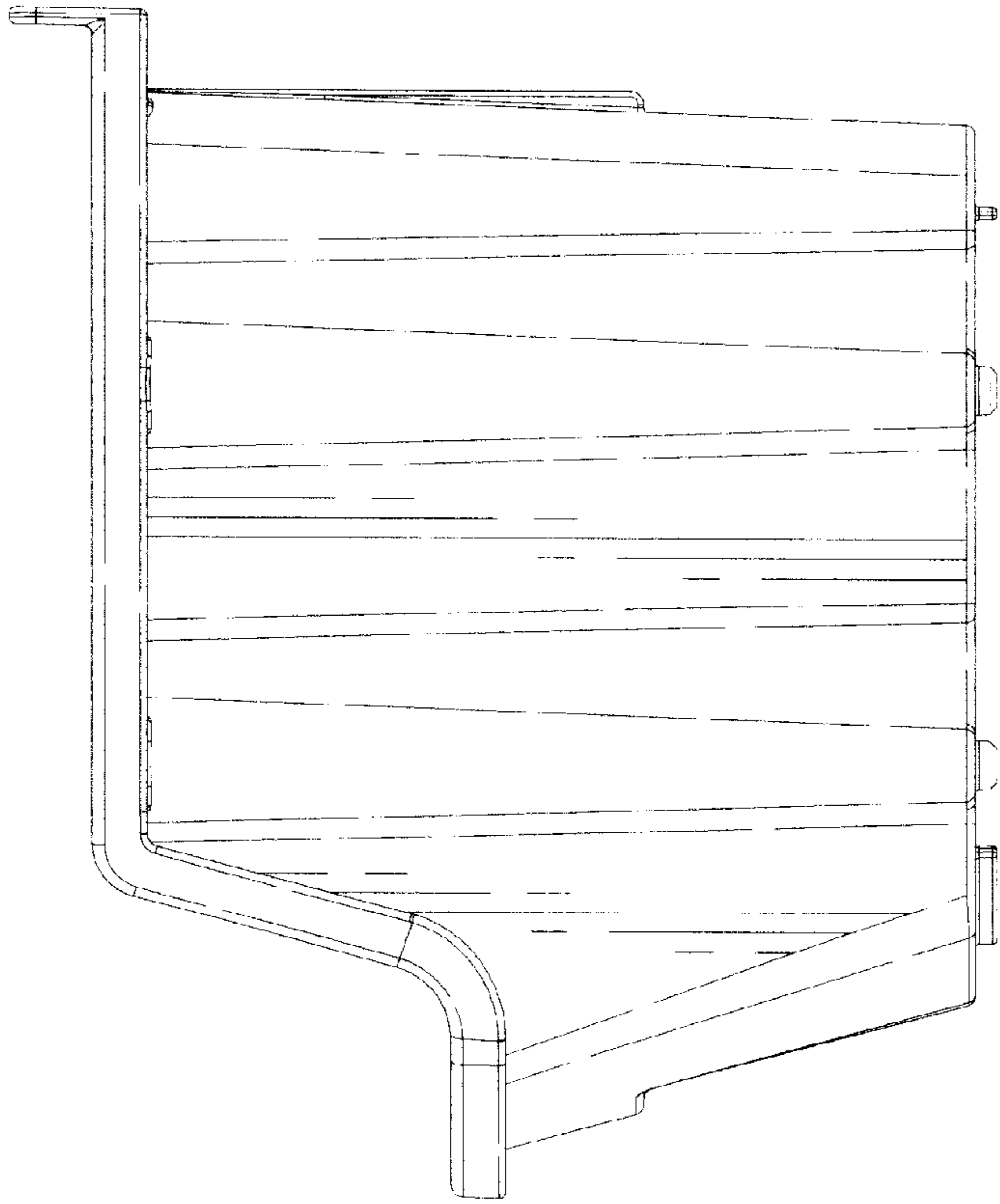


Figure 6

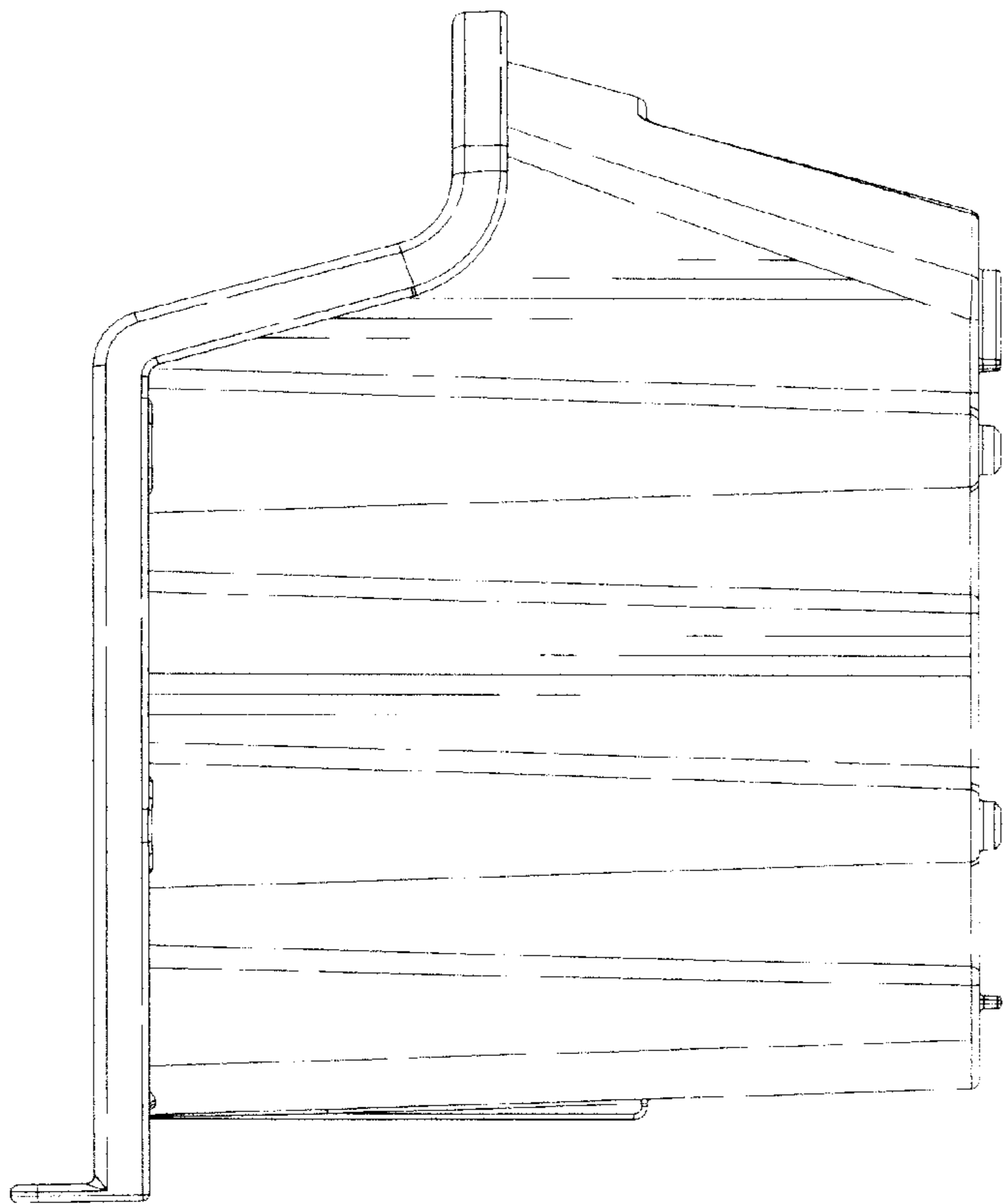


Figure 5

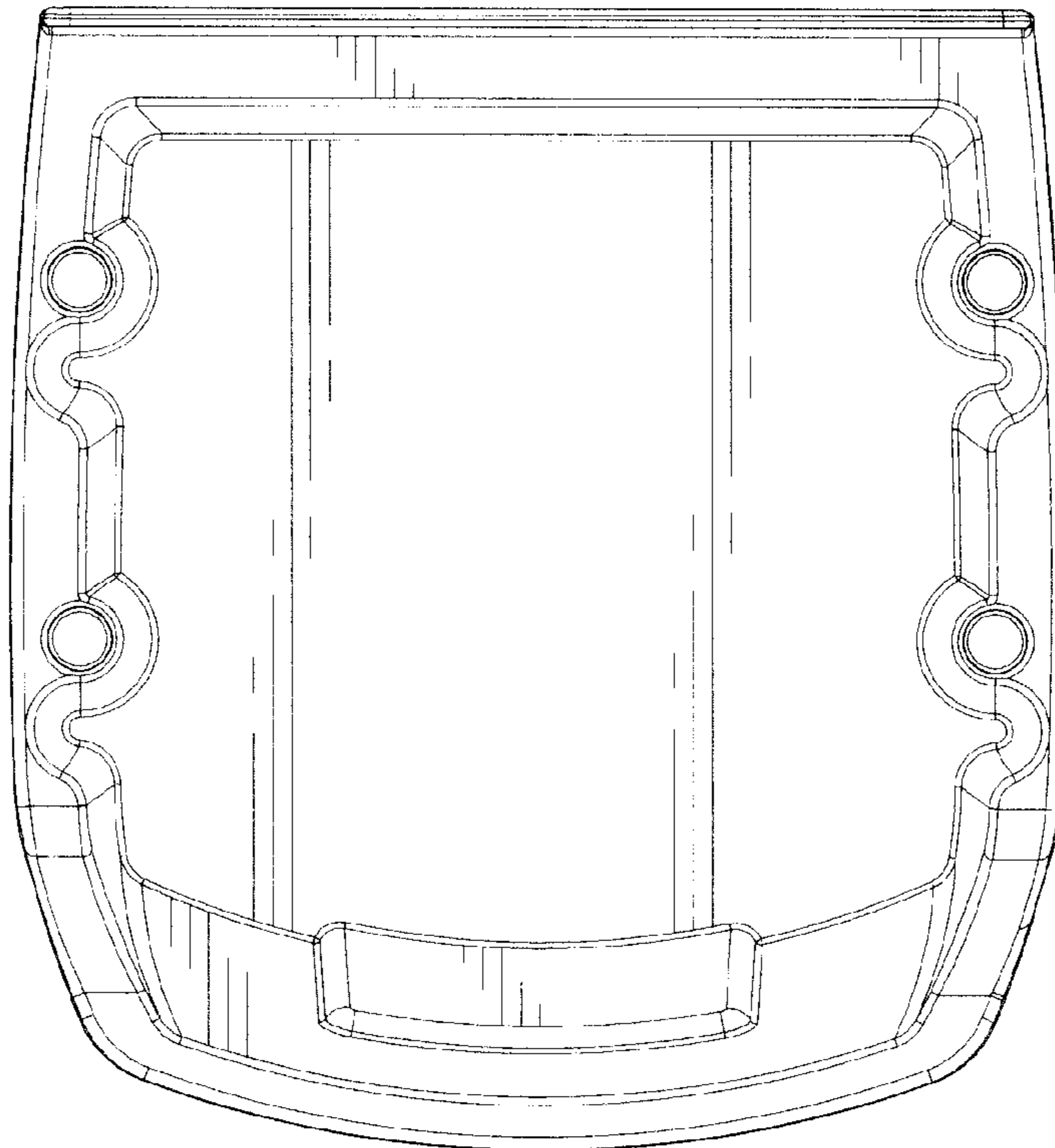


Figure 7

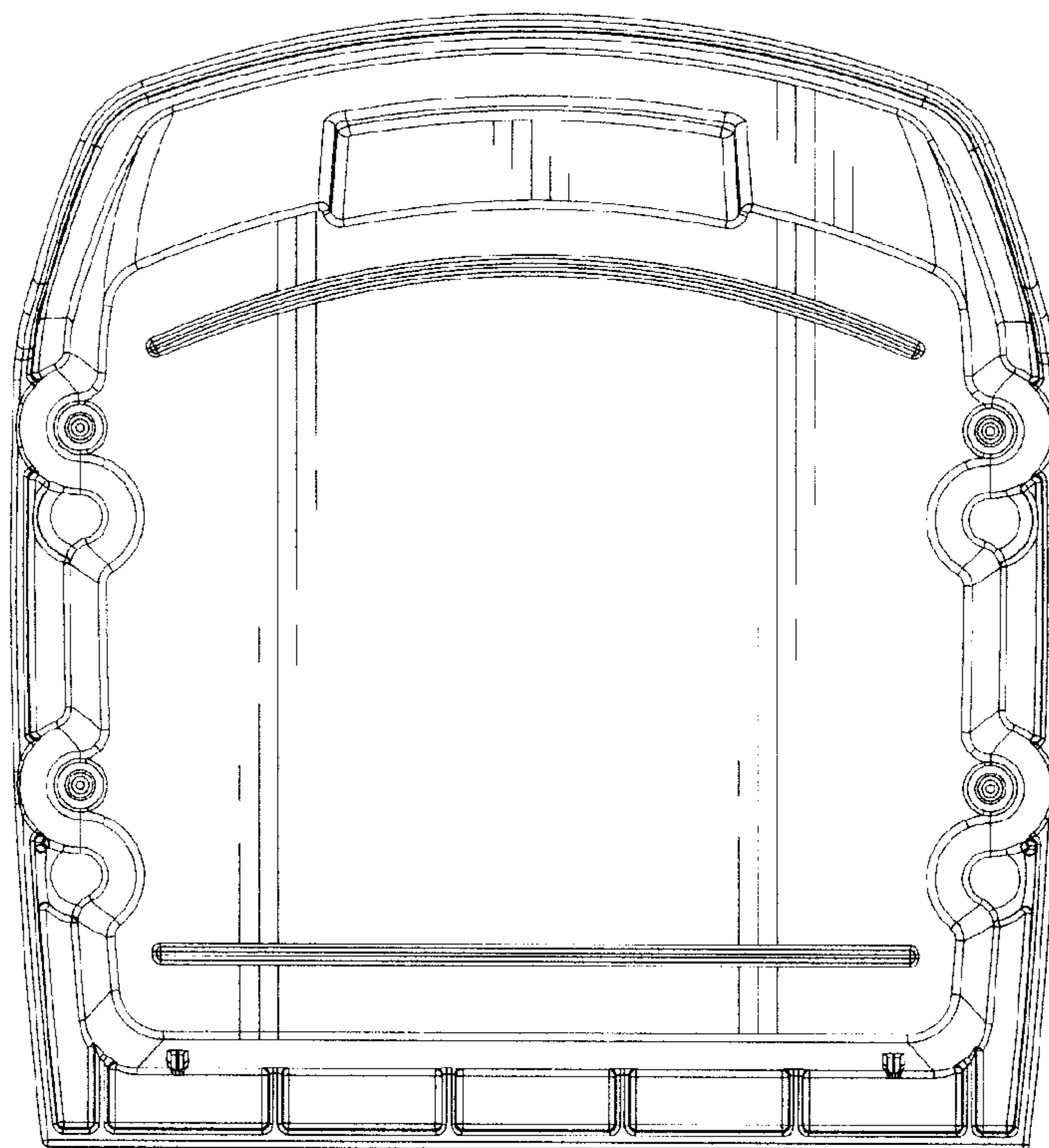


Figure 8

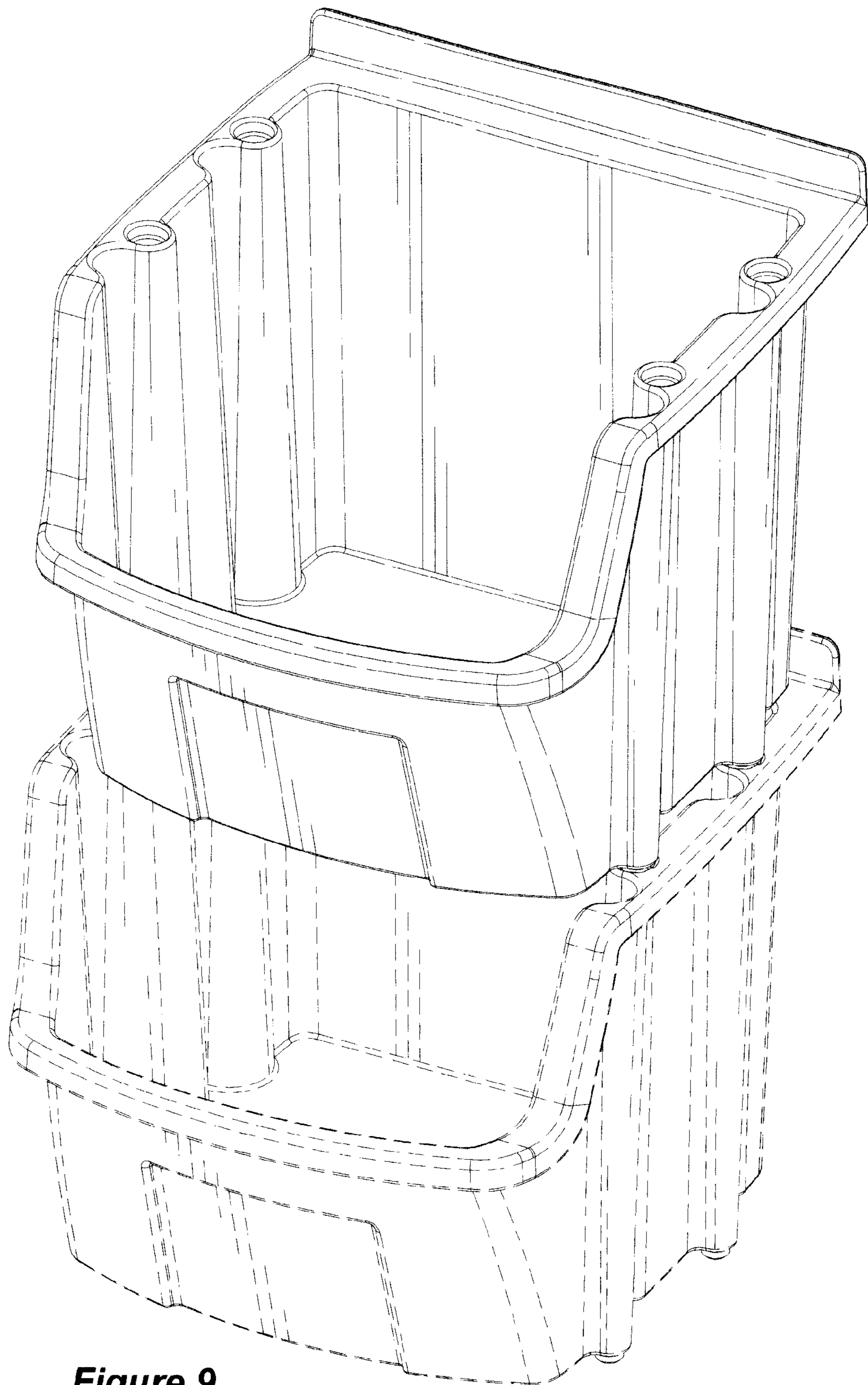


Figure 9

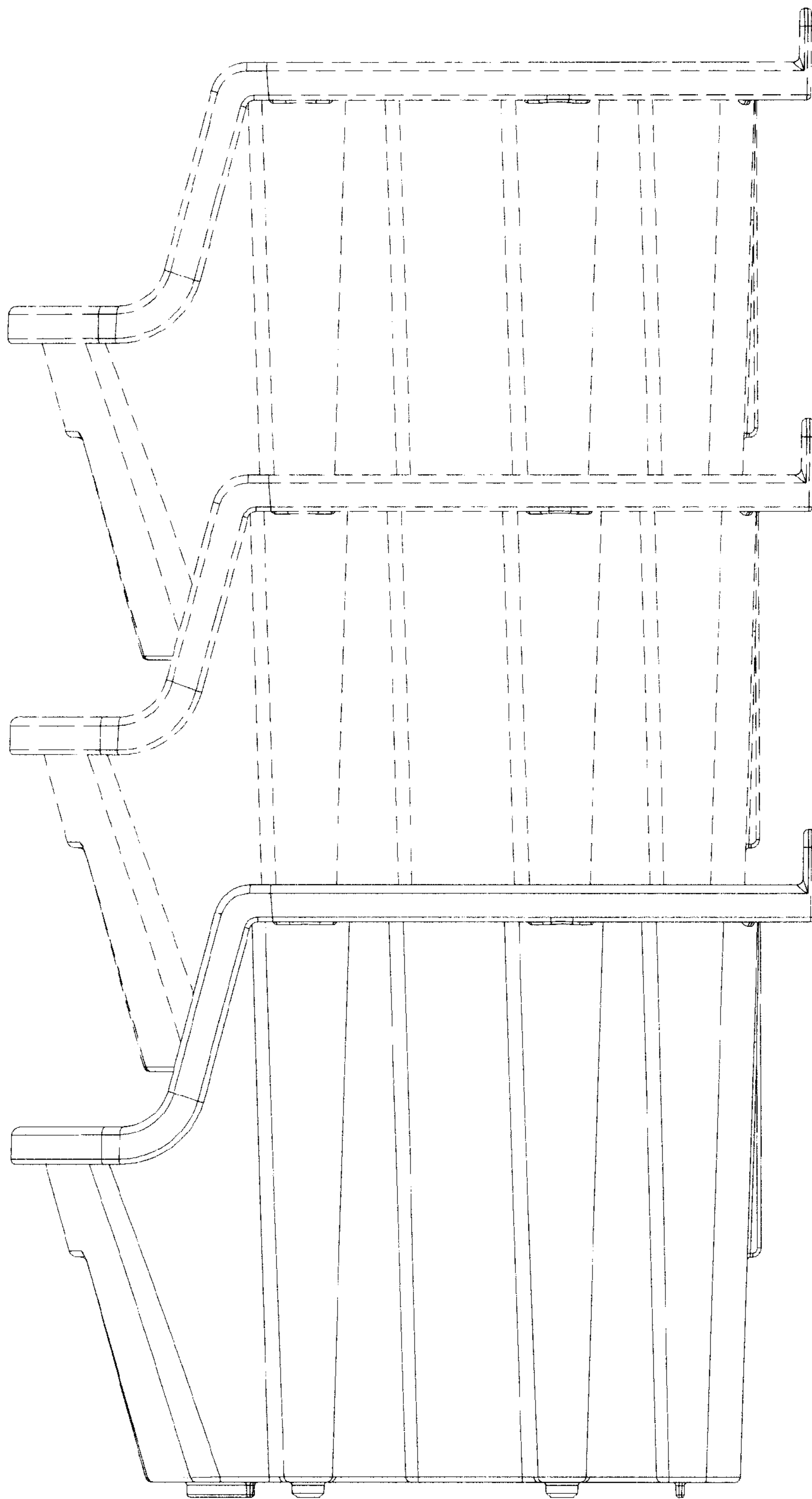


Figure 10

Figure 11

