



US00D538538S

(12) **United States Design Patent**
Espinosa

(10) **Patent No.:** **US D538,538 S**

(45) **Date of Patent:** **** Mar. 20, 2007**

(54) **TRAY FOR COLLETS**

(76) **Inventor:** **Gil Espinosa**, 1526 W. Industrial Park St., Covina, CA (US) 91722

(**) **Term:** **14 Years**

(21) **Appl. No.:** **29/240,087**

(22) **Filed:** **Oct. 11, 2005**

(51) **LOC (8) Cl.** **03-01**

(52) **U.S. Cl.** **D3/313**

(58) **Field of Classification Search** D3/301-315, D3/276, 203, 294, 279; D11/156, 147; D24/226-227; D9/425, 700, 432-435, 420, 456, 760, 414; D12/133; 206/528; D6/436, 469, 407, 396, D6/475-476, 525; D19/75-78; D30/107; 220/4.33; D34/19; D32/46; 226/643; D8/330; D7/620, 706, 409, 542; 229/162.1, 100, 122
See application file for complete search history.

(56) **References Cited**

U.S. PATENT DOCUMENTS

| | | | | | |
|------------|---|---------|----------------|-------|----------|
| D255,547 S | * | 6/1980 | Grodin | | D9/418 |
| D266,913 S | * | 11/1982 | Hazelton | | D11/147 |
| D271,239 S | * | 11/1983 | Lemieux et al. | | D24/230 |
| D350,478 S | * | 9/1994 | Fuller et al. | | D3/203.3 |
| D407,243 S | * | 3/1999 | Thoesen | | D6/469 |
| D416,196 S | * | 11/1999 | Noble | | D3/203.8 |
| D434,880 S | * | 12/2000 | McNary et al. | | D30/101 |
| D477,895 S | * | 7/2003 | Goswell | | D28/83 |

| | | | | | |
|------------|---|--------|----------------|-------|--------|
| D504,550 S | * | 4/2005 | Setcer, Jr. | | D99/34 |
| D515,942 S | * | 2/2006 | Hamblin et al. | | D9/756 |
| D515,943 S | * | 2/2006 | Hamblin et al. | | D9/756 |

OTHER PUBLICATIONS

MSC DIRECT Catalog, 2003/2004, p. 1593, NC/CNO Col-let Storage Rack of Big Bear Enterprises.
MSC DIRECT Catalog, 2003/2004, p. 1593, Collect Racks of Huot.

* cited by examiner

Primary Examiner—Louis S. Zarfes

Assistant Examiner—Eric L Goodman

(74) *Attorney, Agent, or Firm*—Boniard I. Brown

(57) **CLAIM**

The ornamental design for a tray for collets, as shown and described.

DESCRIPTION

FIG. 1 is a frontal perspective view of a tray for collets, showing my new design;

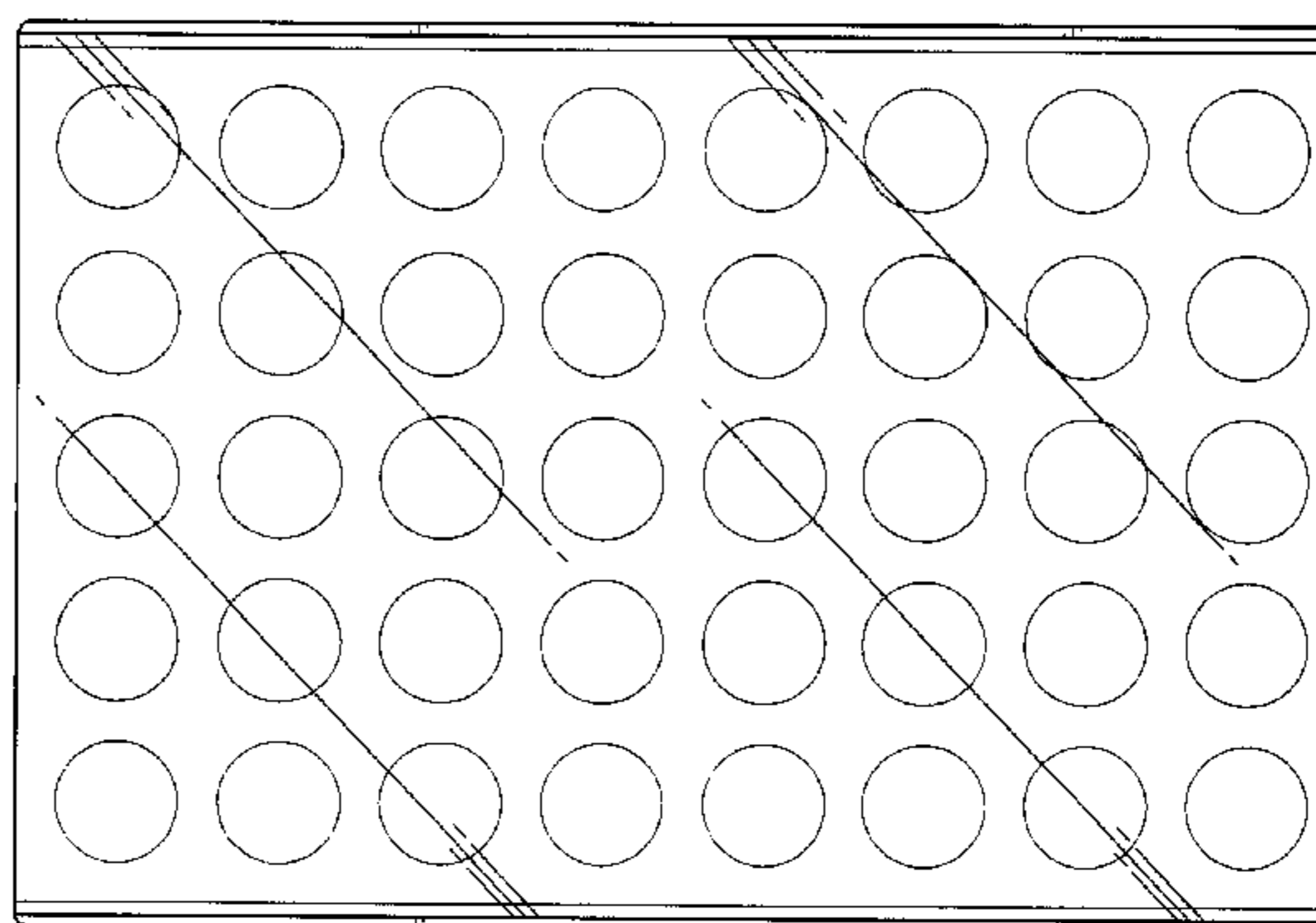
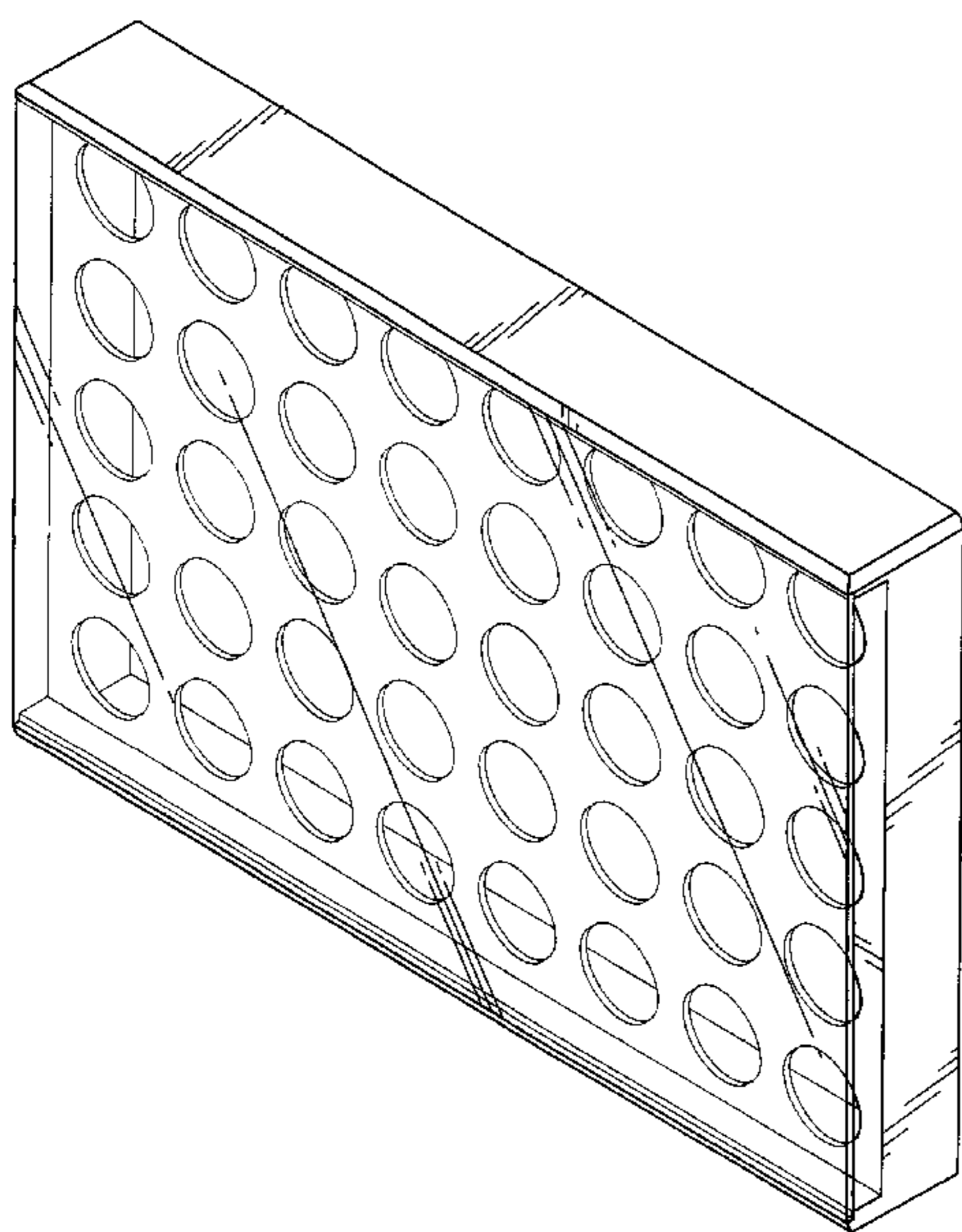
FIG. 2 is a top plan view thereof, the bottom view being a mirror image;

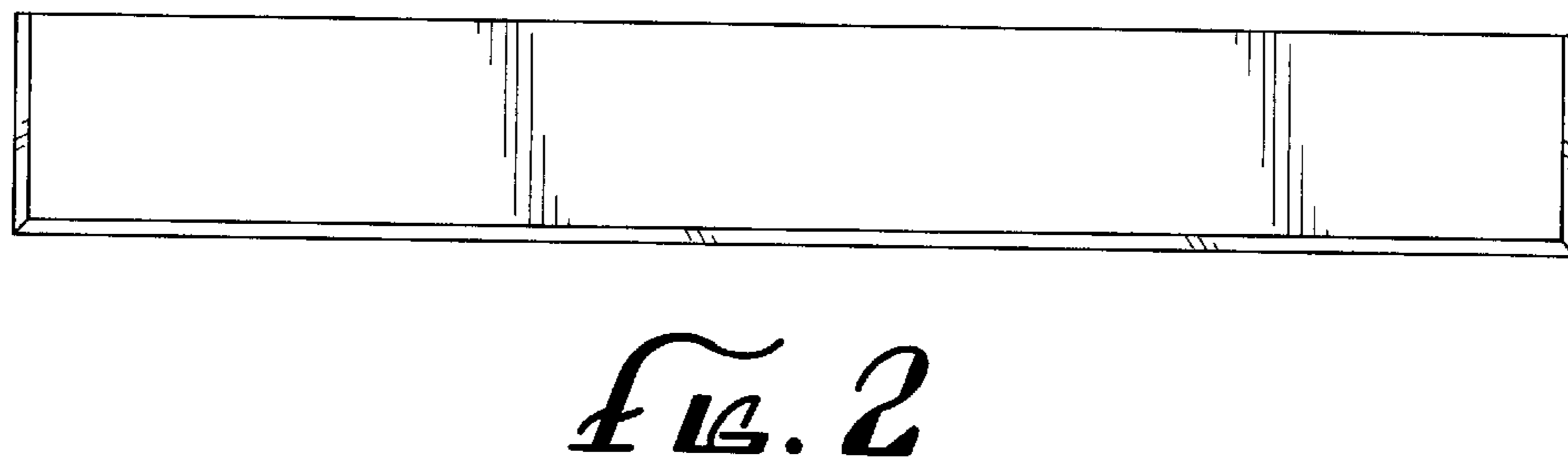
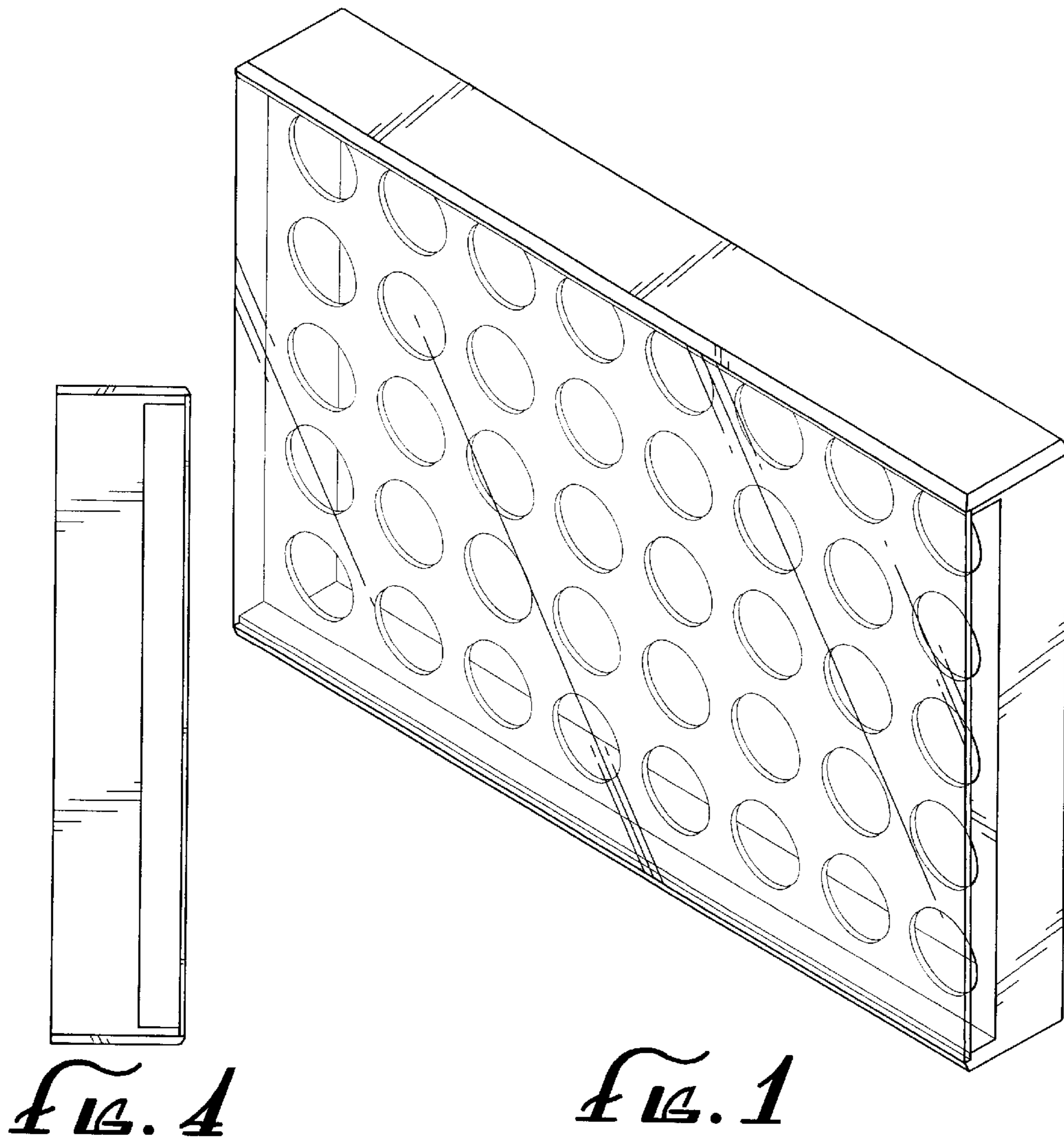
FIG. 3 is a front elevational view thereof;

FIG. 4 is a left end elevational view thereof, the right end being a mirror image; and,

FIG. 5 is a rear elevational view thereof.

1 Claim, 2 Drawing Sheets





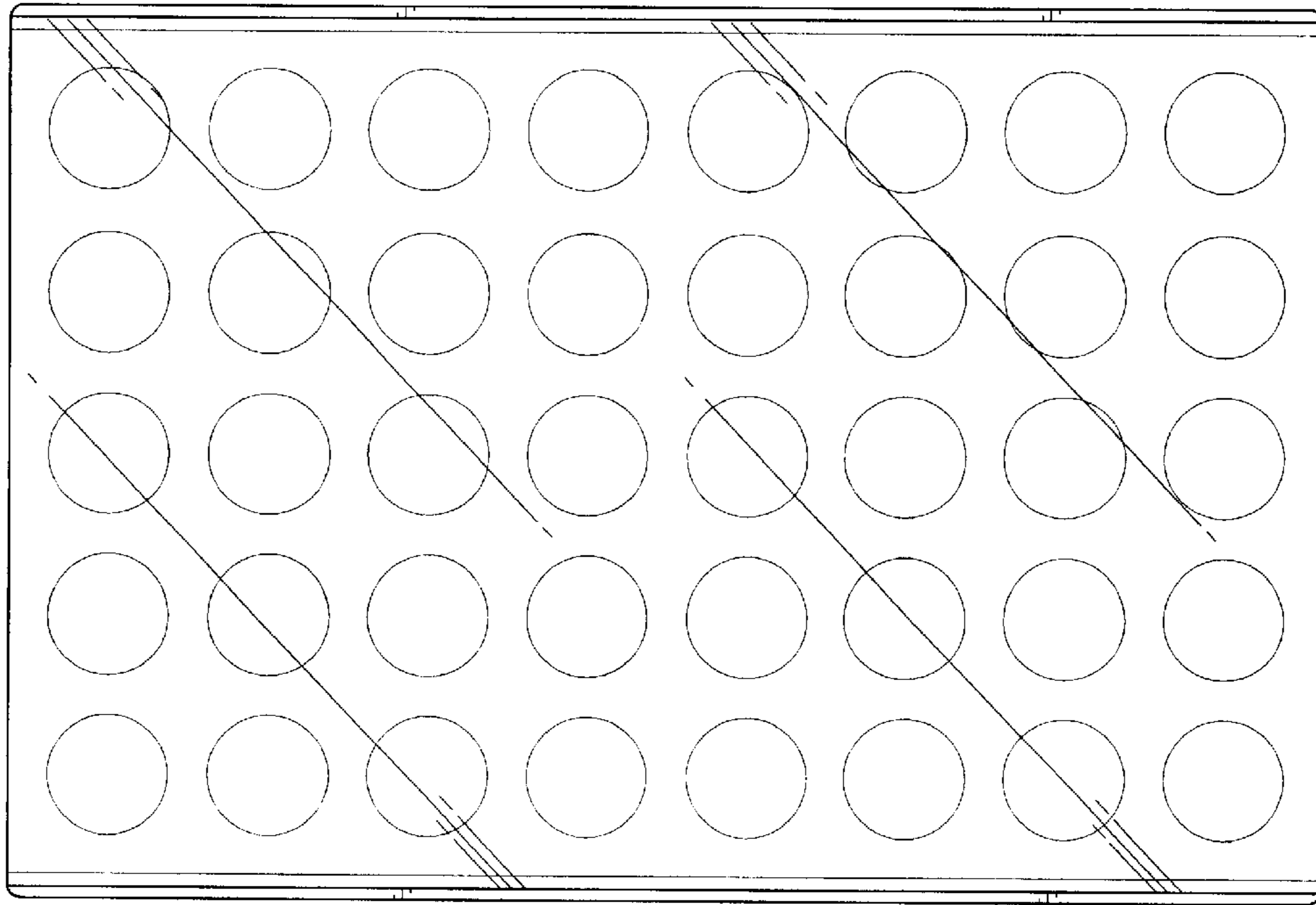


FIG. 3

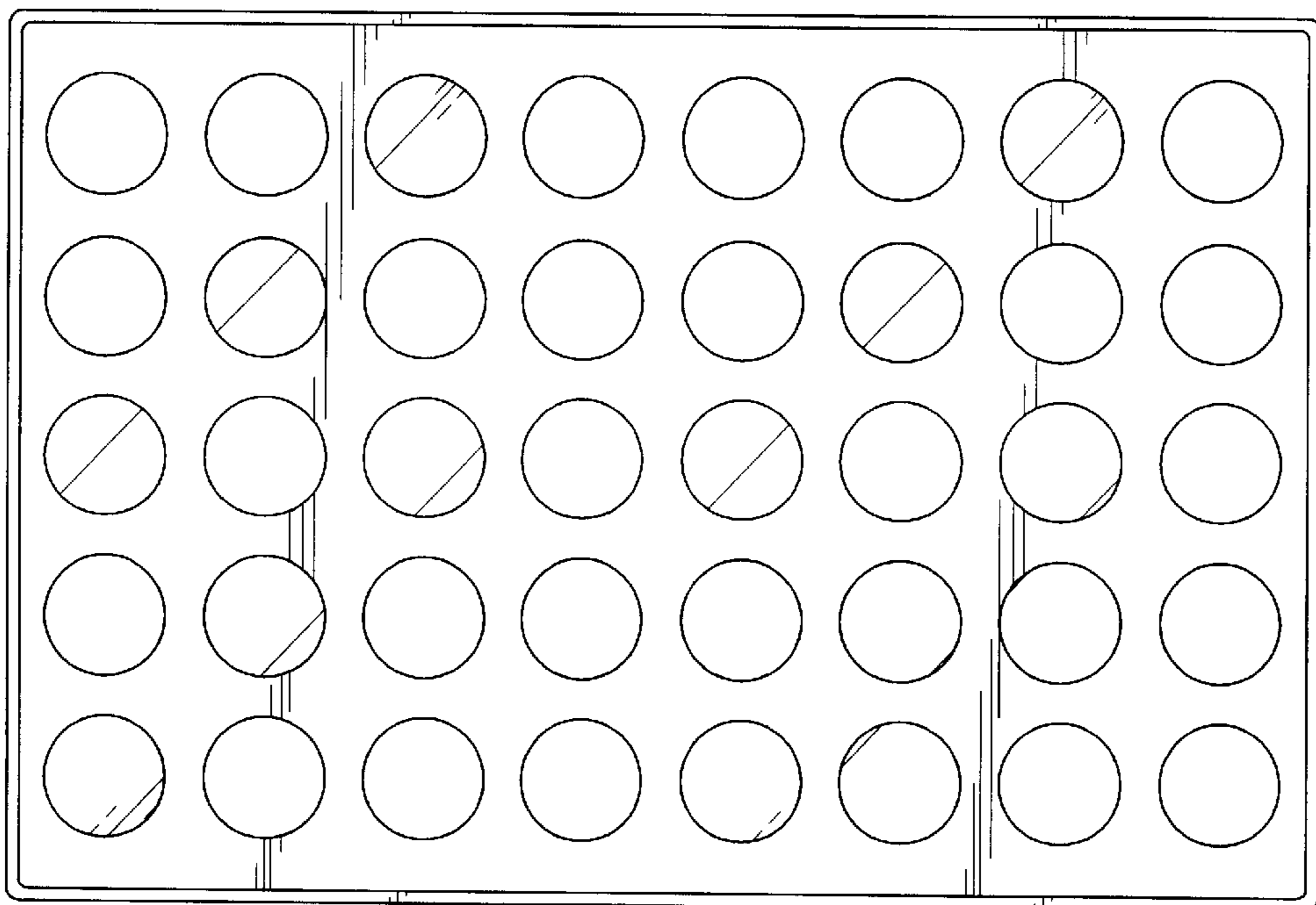


FIG. 5