



US00D538537S

(12) **United States Design Patent**
Osborn

(10) **Patent No.:** **US D538,537 S**

(45) **Date of Patent:** **** Mar. 20, 2007**

(54) **SORTING TRAY**

D470,354 S * 2/2003 Udommahuntisuk D6/629
D480,759 S * 10/2003 Heimbecher D19/90

(75) Inventor: **Mark L. Osborn**, Vienna, VA (US)

* cited by examiner

(73) Assignee: **The United States Postal Service**,
Washington, DC (US)

Primary Examiner—Louis S. Zarfes

Assistant Examiner—John Windmuller

(**) Term: **14 Years**

(74) *Attorney, Agent, or Firm*—Finnegan, Henderson,
Farabow, Garrett & Dunner, L.L.P.

(21) Appl. No.: **29/203,990**

(57) **CLAIM**

(22) Filed: **Apr. 23, 2004**

The ornamental design for a sorting tray, as shown and
described.

(51) **LOC (8) Cl.** **03-01**

(52) **U.S. Cl.** **D3/313**

(58) **Field of Classification Search** D3/20,

D3/200, 201, 203.1, 203.3, 205, 206, 273,

D3/276, 304–315; D6/525, 475, 476; D19/75,

D19/77, 86, 90, 92, 100; 206/203, 214, 215,

206/822, 307.1; 229/100, 914, 913, 406

See application file for complete search history.

DESCRIPTION

FIG. 1 is a top perspective view of a sorting tray showing my
new design, with a number of partitions removed;

FIG. 2 is a right side elevational view thereof with all
partitions present;

FIG. 3 is a left side elevational view thereof;

FIG. 4 is front elevational view thereof;

FIG. 5 is rear elevational view thereof;

FIG. 6 is a top plan view thereof;

FIG. 7 is a bottom plan view thereof; and,

FIG. 8 is a top perspective view thereof shown in an
alternate position of use, with a number of partitions
removed.

(56) **References Cited**

U.S. PATENT DOCUMENTS

D104,956 S * 6/1937 Baker D6/470

D161,157 S * 12/1950 Browning D21/395

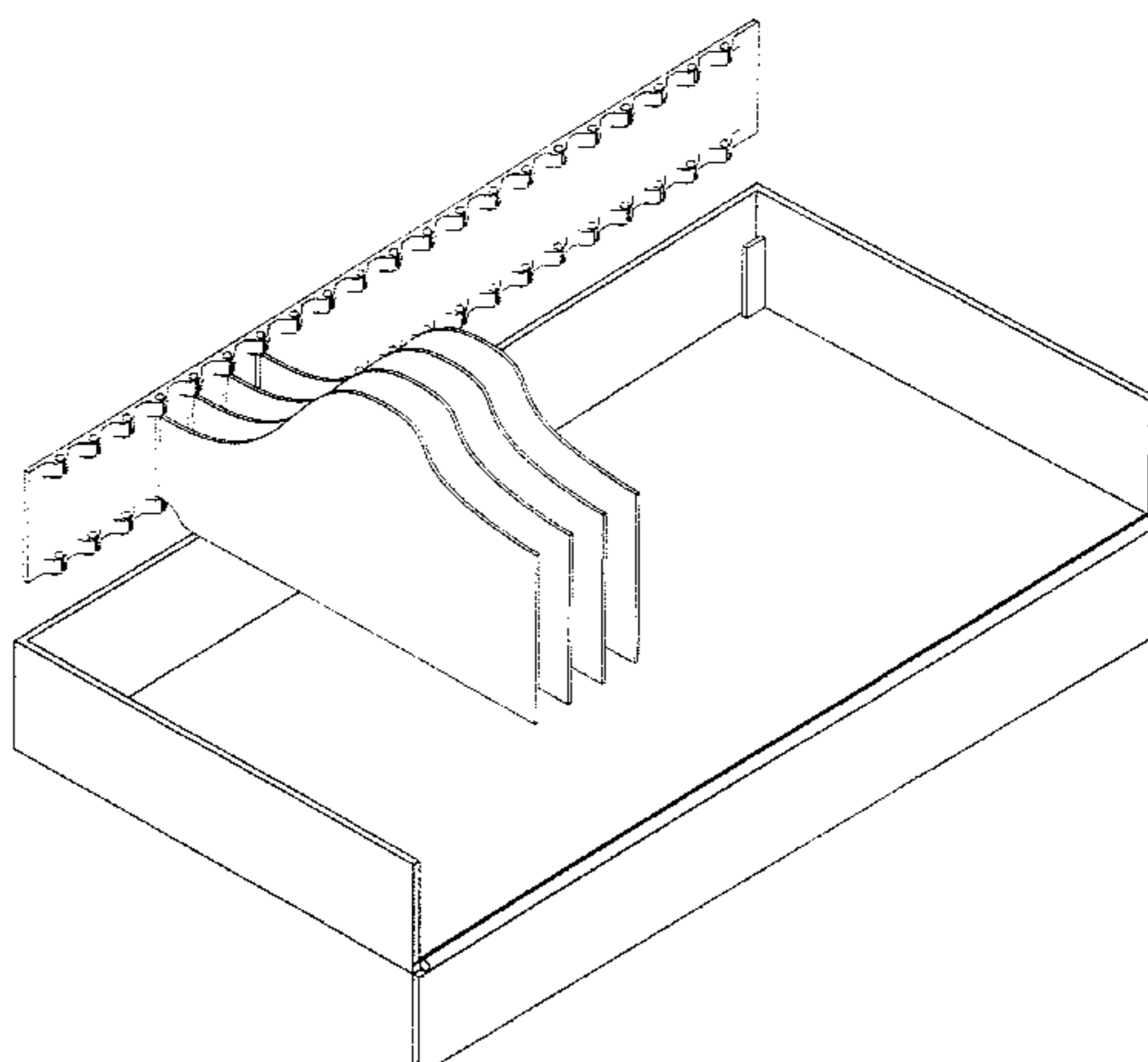
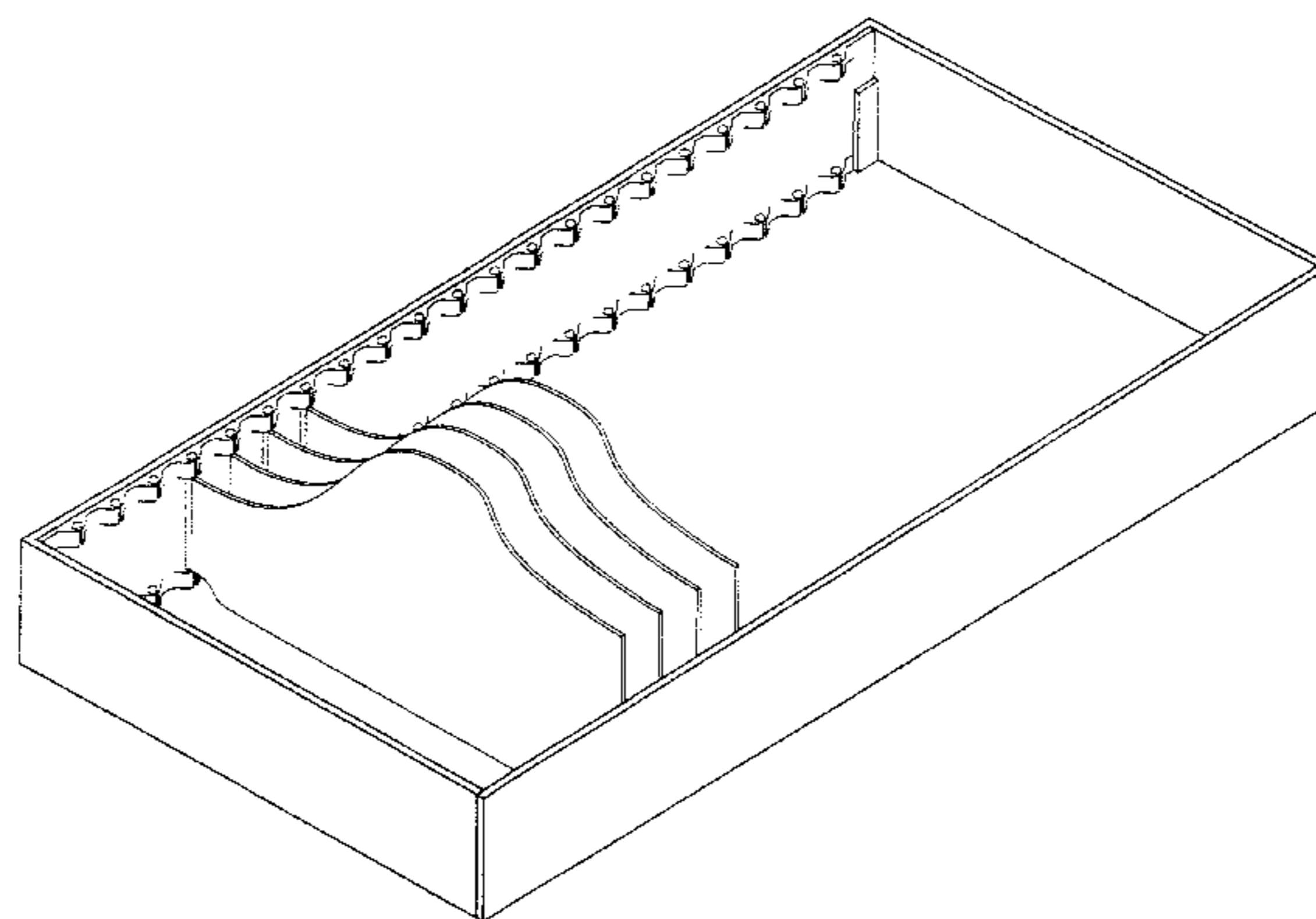
D290,141 S * 6/1987 Rabig D19/90

D323,190 S * 1/1992 Evenson D19/90

D358,602 S * 5/1995 Bilson D18/48

D404,957 S * 2/1999 Cheris et al. D6/629

1 Claim, 6 Drawing Sheets



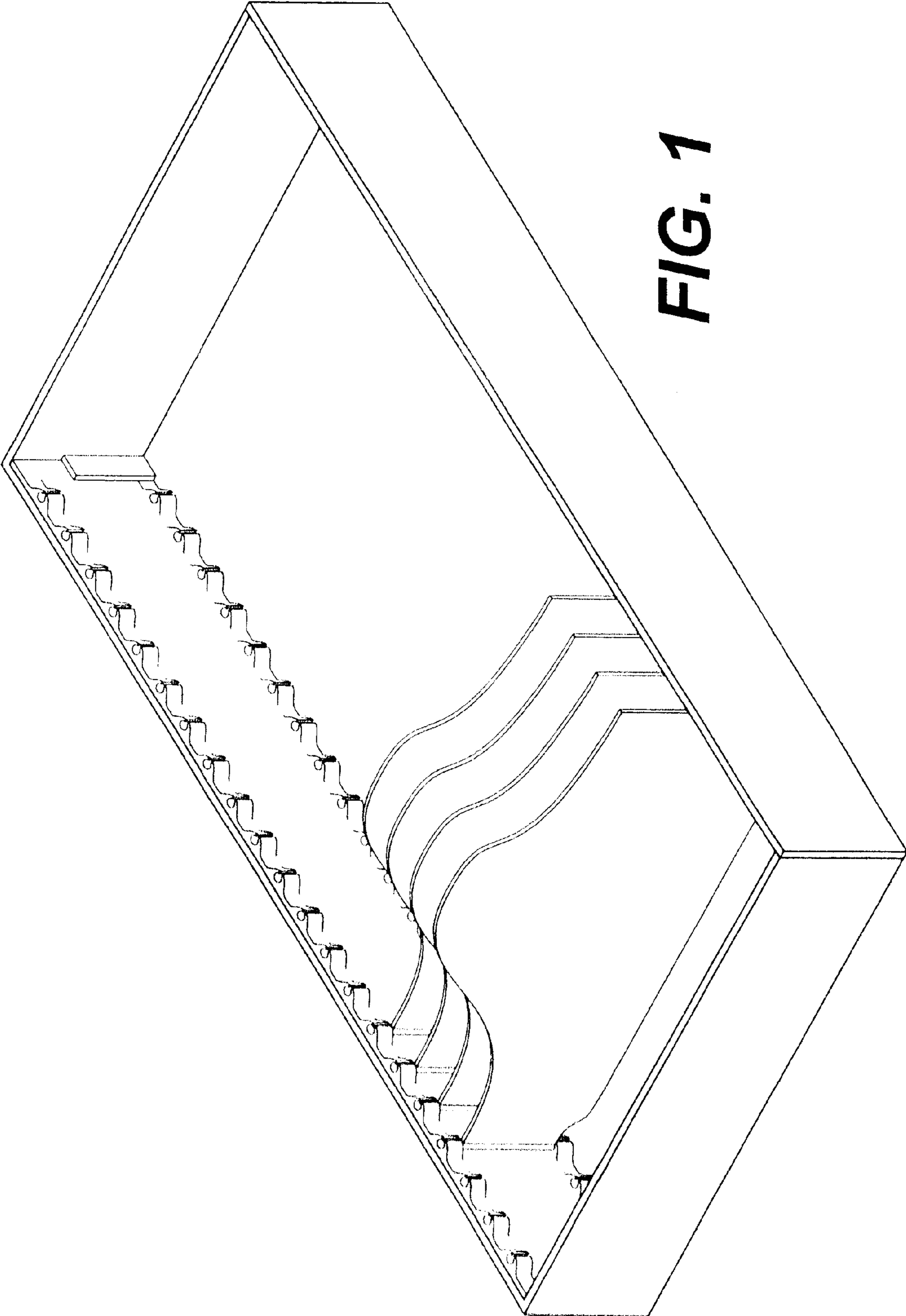


FIG. 1

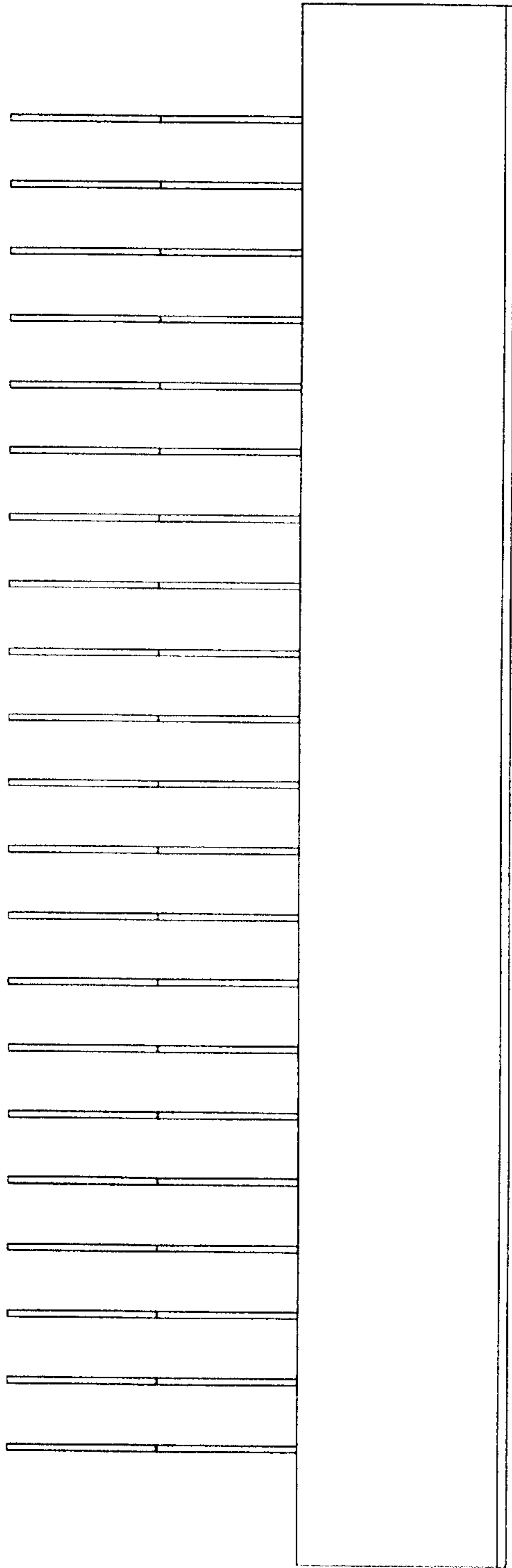


FIG. 2

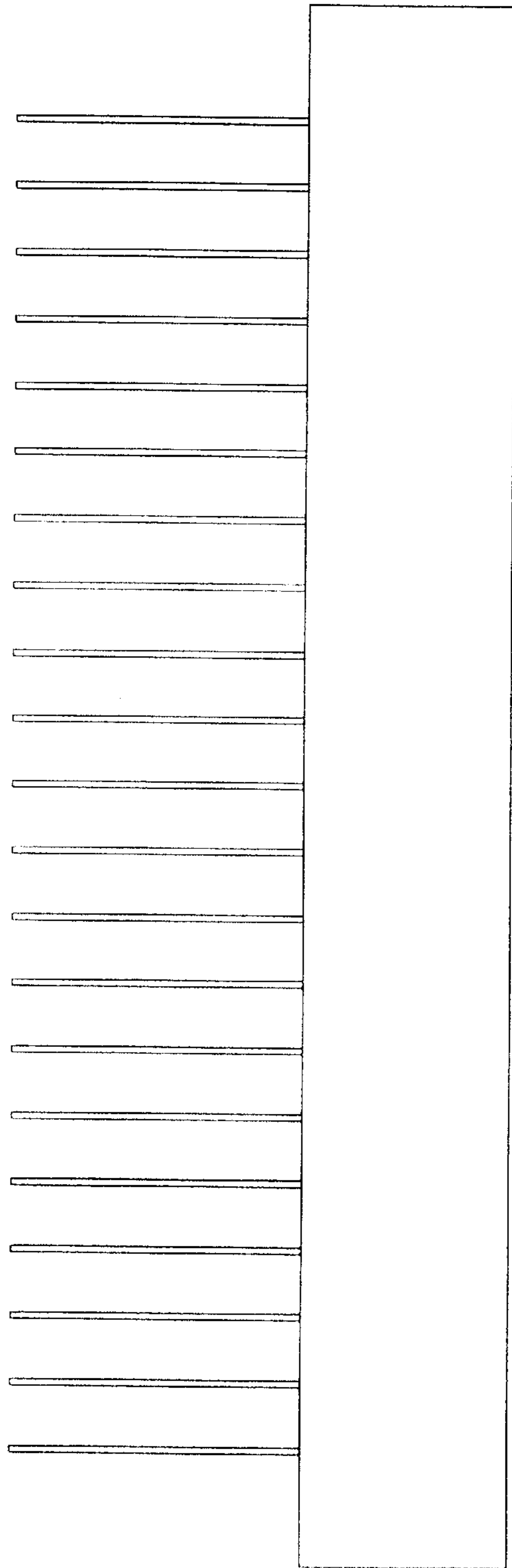


FIG. 3

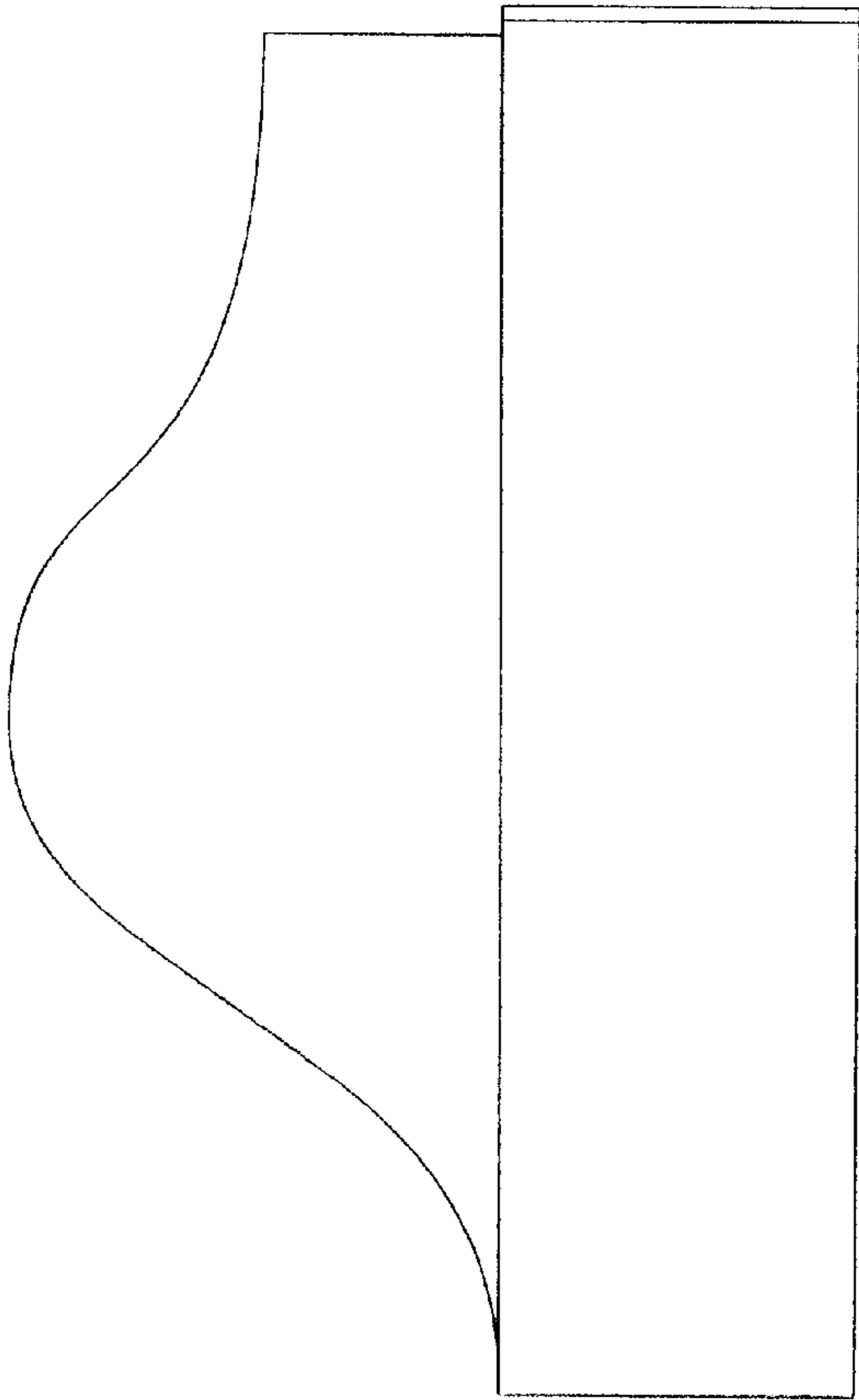


FIG. 4

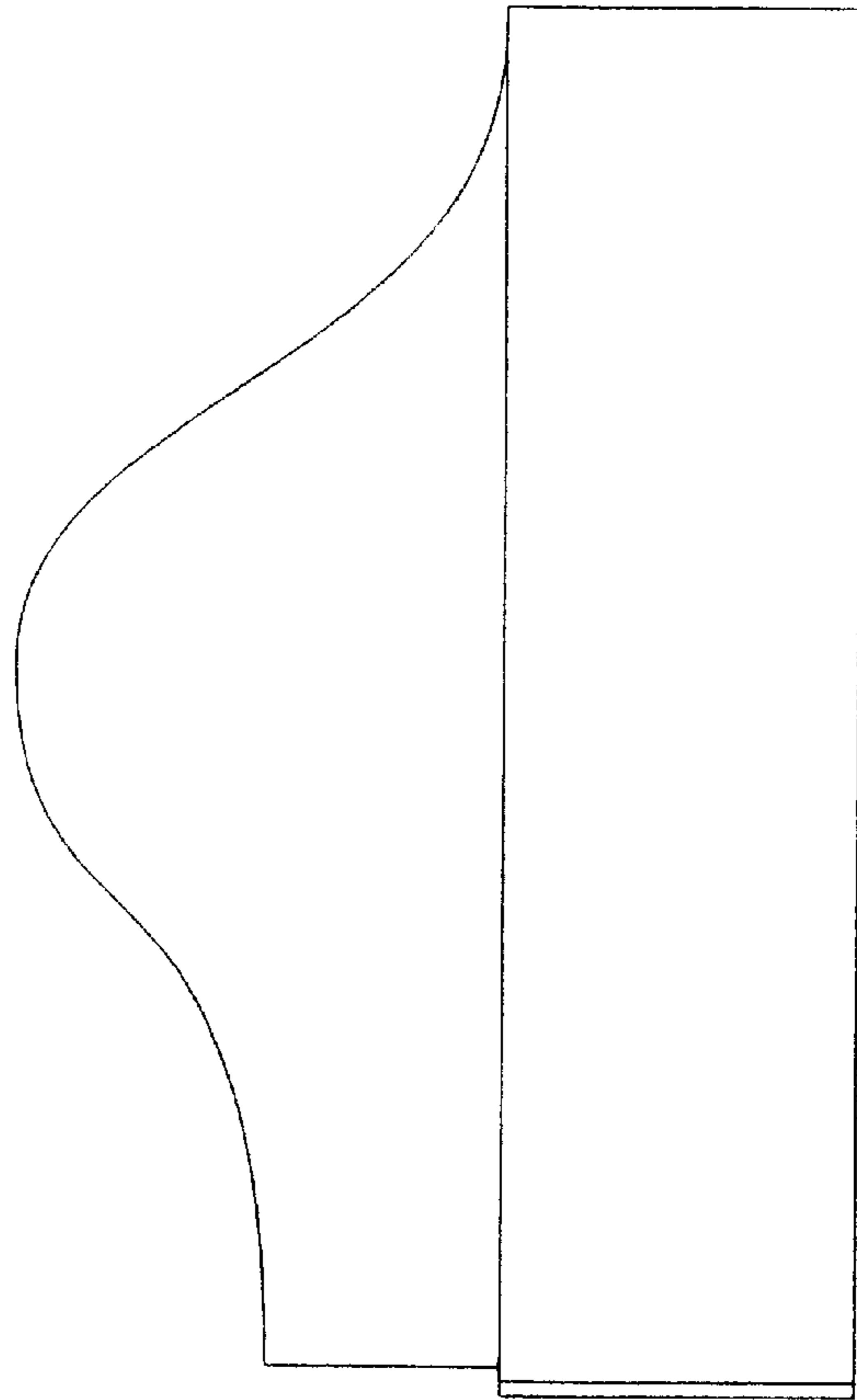


FIG. 5

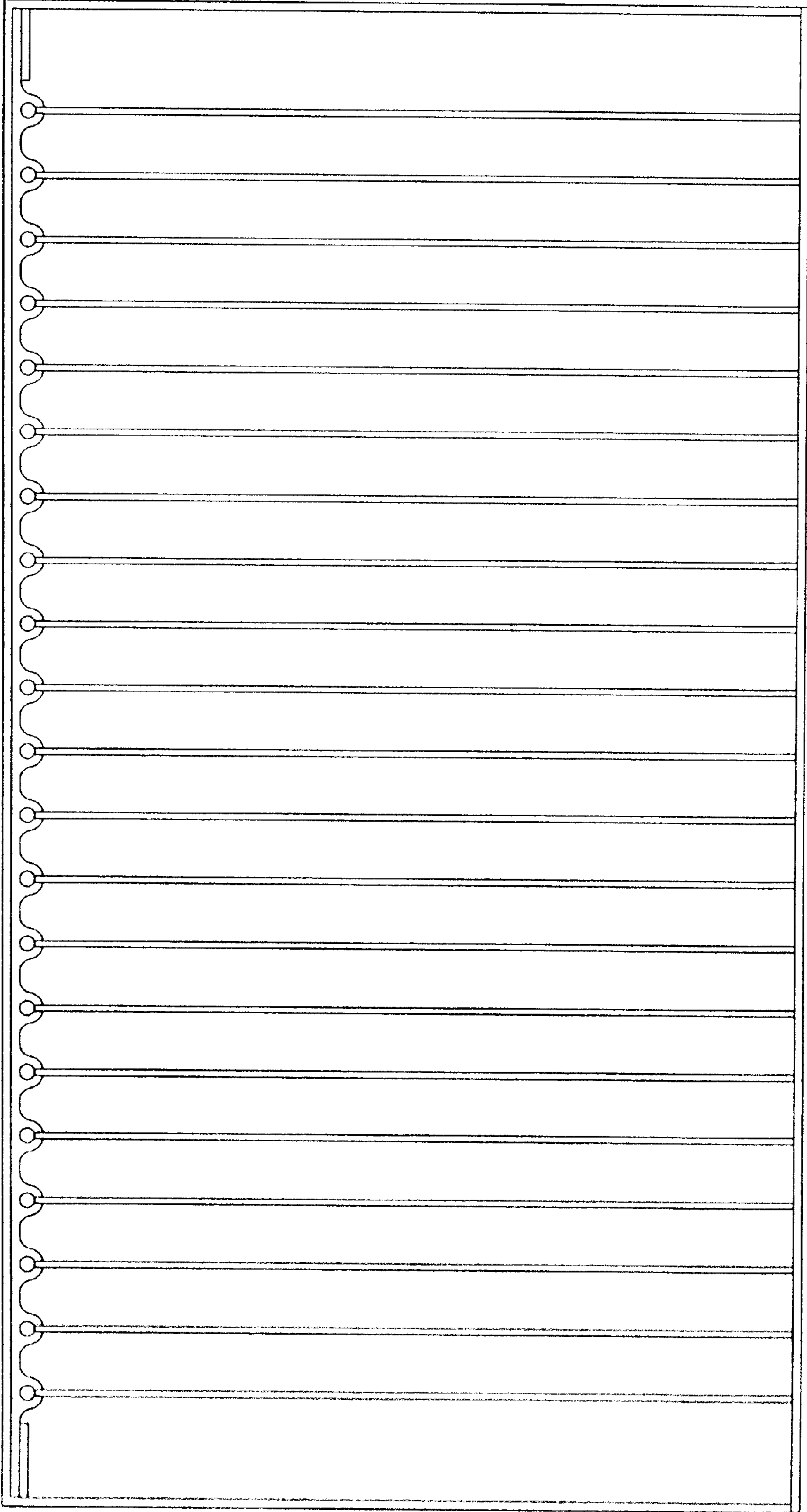


FIG. 6

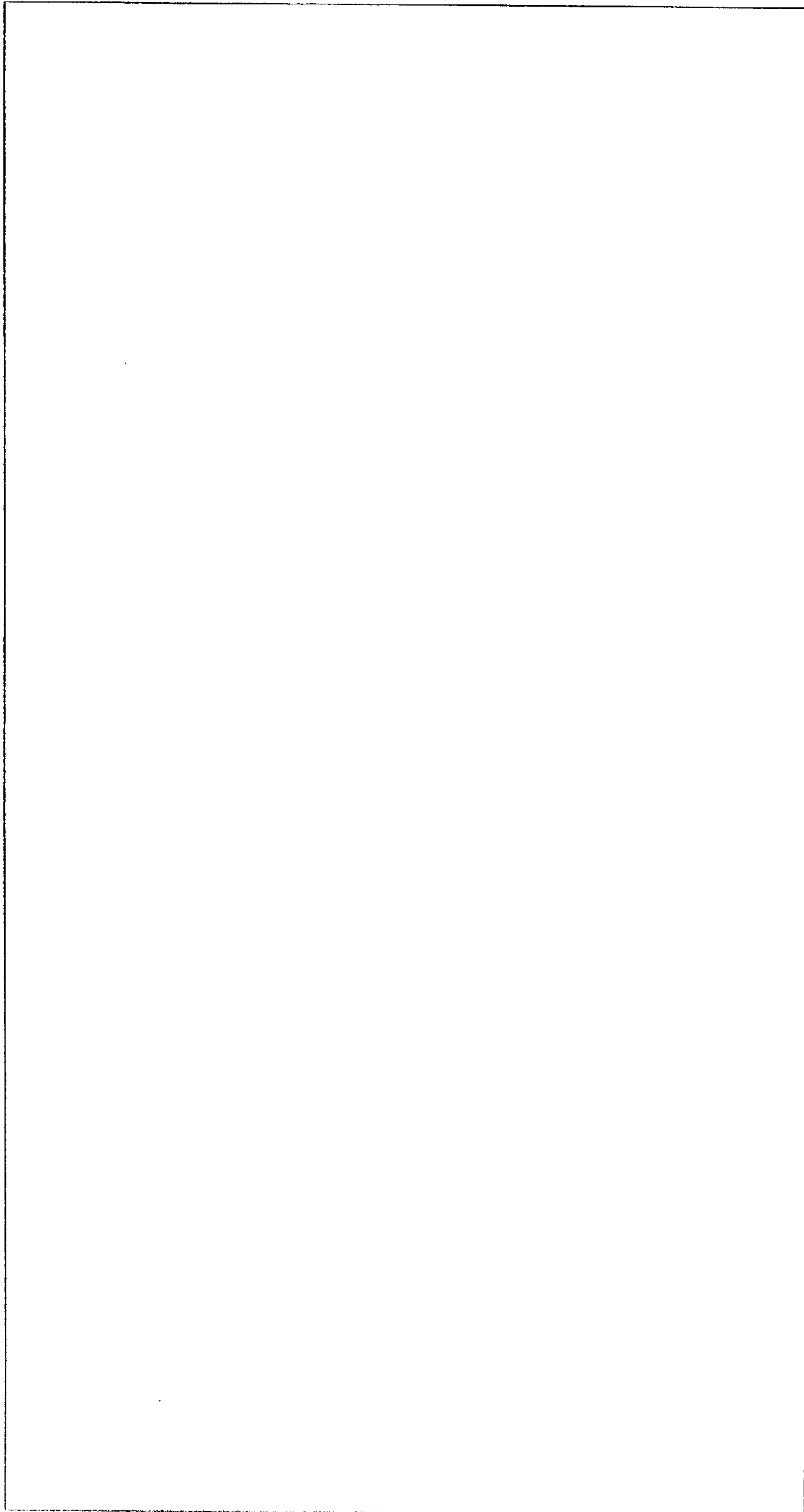


FIG. 7

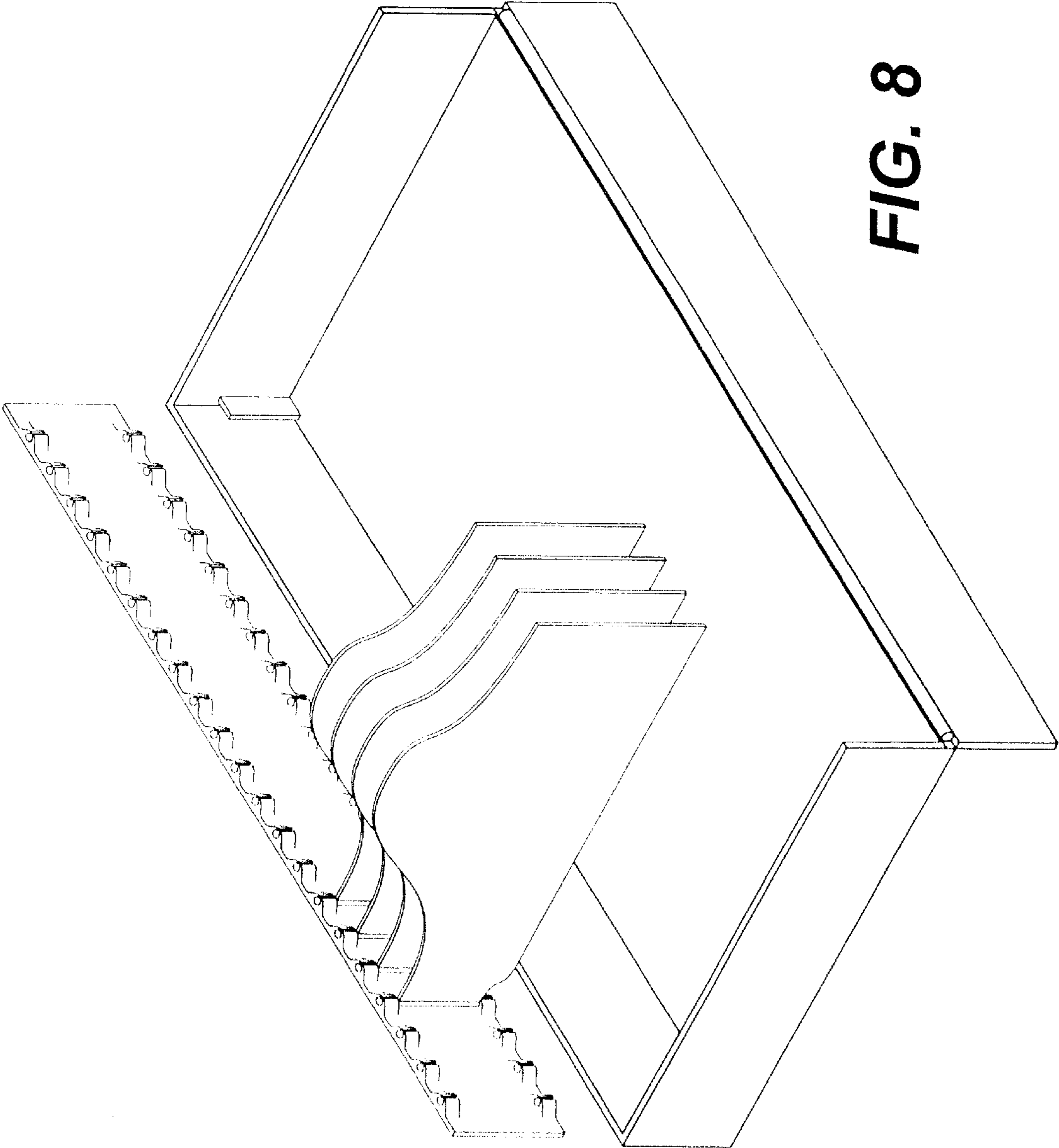


FIG. 8