



US00D538529S

(12) **United States Design Patent**
Rosen et al.

(10) **Patent No.:** **US D538,529 S**
(45) **Date of Patent:** **** Mar. 20, 2007**

(54) **WRITING IMPLEMENT CASE**

(75) Inventors: **Lawrence I. Rosen**, Mendam, NJ (US);
Parviz Daftari, Summit, NJ (US)

(73) Assignee: **Mega Brands International**, Zug (CH)

(**) Term: **14 Years**

(21) Appl. No.: **29/213,885**

(22) Filed: **Sep. 24, 2004**

(51) **LOC (8) Cl.** **03-01**

(52) **U.S. Cl.** **D3/206**

(58) **Field of Classification Search** D3/205,
D3/206, 273, 276, 281–283, 294–296, 201,
D3/274, 905, 284; 190/110, 111; 206/349,
206/272, 273, 379; D19/77, 85; D9/420,
D9/423, 424

See application file for complete search history.

(56) **References Cited**

U.S. PATENT DOCUMENTS

D154,470 S	*	7/1949	Gieseler	D99/33
D319,344 S	*	8/1991	Turley	D6/634
D390,265 S	*	2/1998	Cheris et al.	D19/75
D394,280 S	*	5/1998	Cheris et al.	D19/75
D396,063 S	*	7/1998	Elmer et al.	D19/75
D400,588 S	*	11/1998	Elmer et al.	D19/75
D481,533 S	*	11/2003	McGillivray et al.	D3/206
D485,312 S	*	1/2004	Gaska et al.	D20/41
D506,610 S	*	6/2005	Mitani et al.	D3/294
2003/0192808 A1		10/2003	Clarizio et al.		

OTHER PUBLICATIONS

U.S. Appl. No. 29/213,893 entitled “Writing Implement Case”, filed Sep. 24, 2004, Inventors: L. I. Rosen and P. Daftari.

U.S. Appl. No. 29/213,883 entitled “Writing Implement Case”, filed Sep. 24, 2004, Inventors: L. I. Rosen and P. Daftari.

U.S. Appl. No. 29/213,884 entitled “Writing Implement Case With Handle”, filed Sep. 24, 2004, Inventors: L. I. Rosen et al.

* cited by examiner

Primary Examiner—Louis S. Zarfaz

Assistant Examiner—Kathleen Sims

(74) *Attorney, Agent, or Firm*—McCarter & English, LLP

(57) **CLAIM**

The ornamental design for a writing implement case, as shown and described.

DESCRIPTION

FIG. 1 is a front and top perspective view of a writing implement case having a generally opaque body and a generally transparent lid, which is shown in a closed position;

FIG. 2 is a top plan view;

FIG. 3 is a front elevational view;

FIG. 4 is a bottom plan view;

FIG. 5 is a left side elevational view;

FIG. 6 is a right side elevational view;

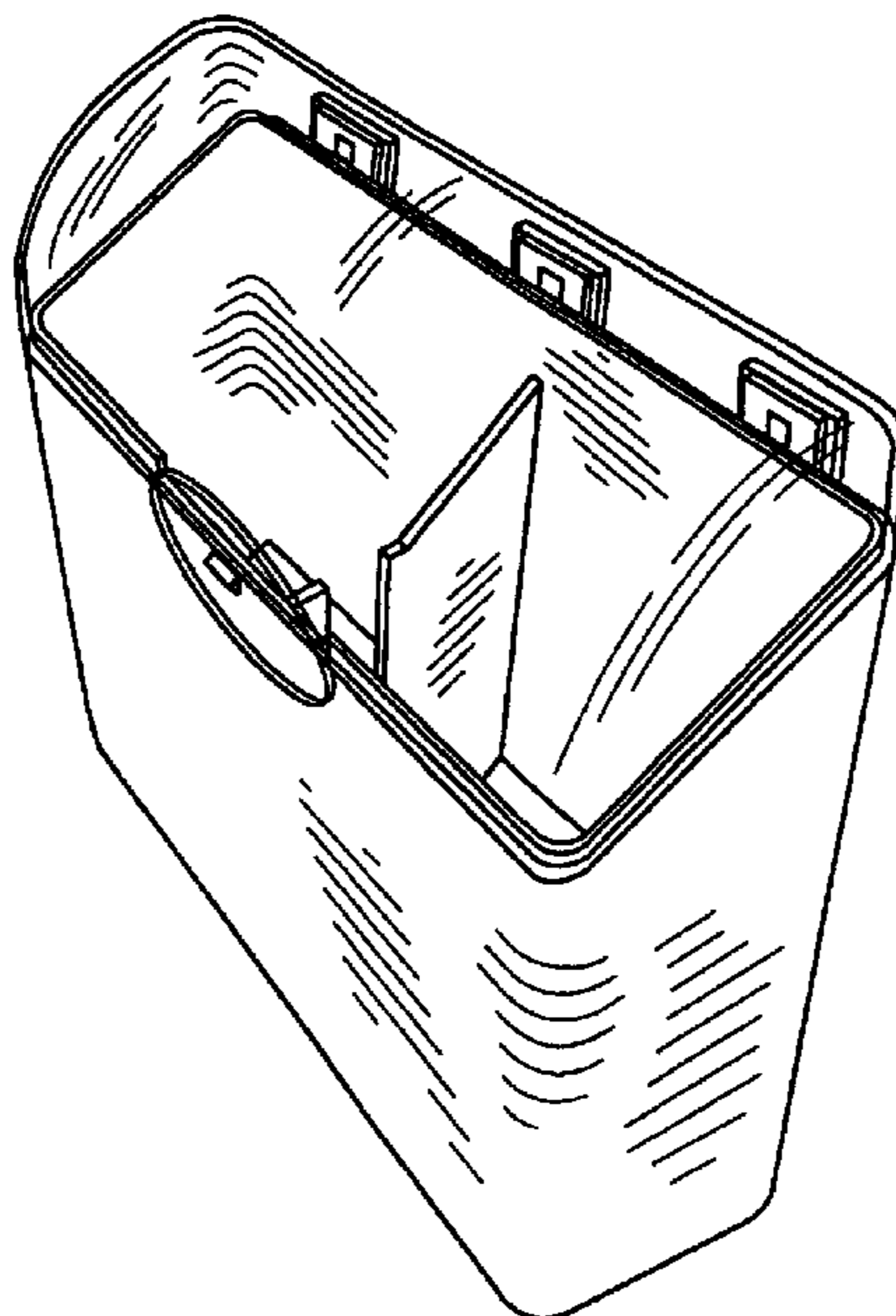
FIG. 7 is a rear elevational view;

FIG. 8 is a front and top perspective view of the case depicted in FIG. 1, the case being shown in an open position; and,

FIG. 9 is a front and top perspective view of the case depicted in FIG. 1, the case being shown with a transparent body instead of an opaque body.

The broken line showing of writing instruments is included for the purpose of illustrating environmental structure and forms no part of the claimed design.

1 Claim, 4 Drawing Sheets



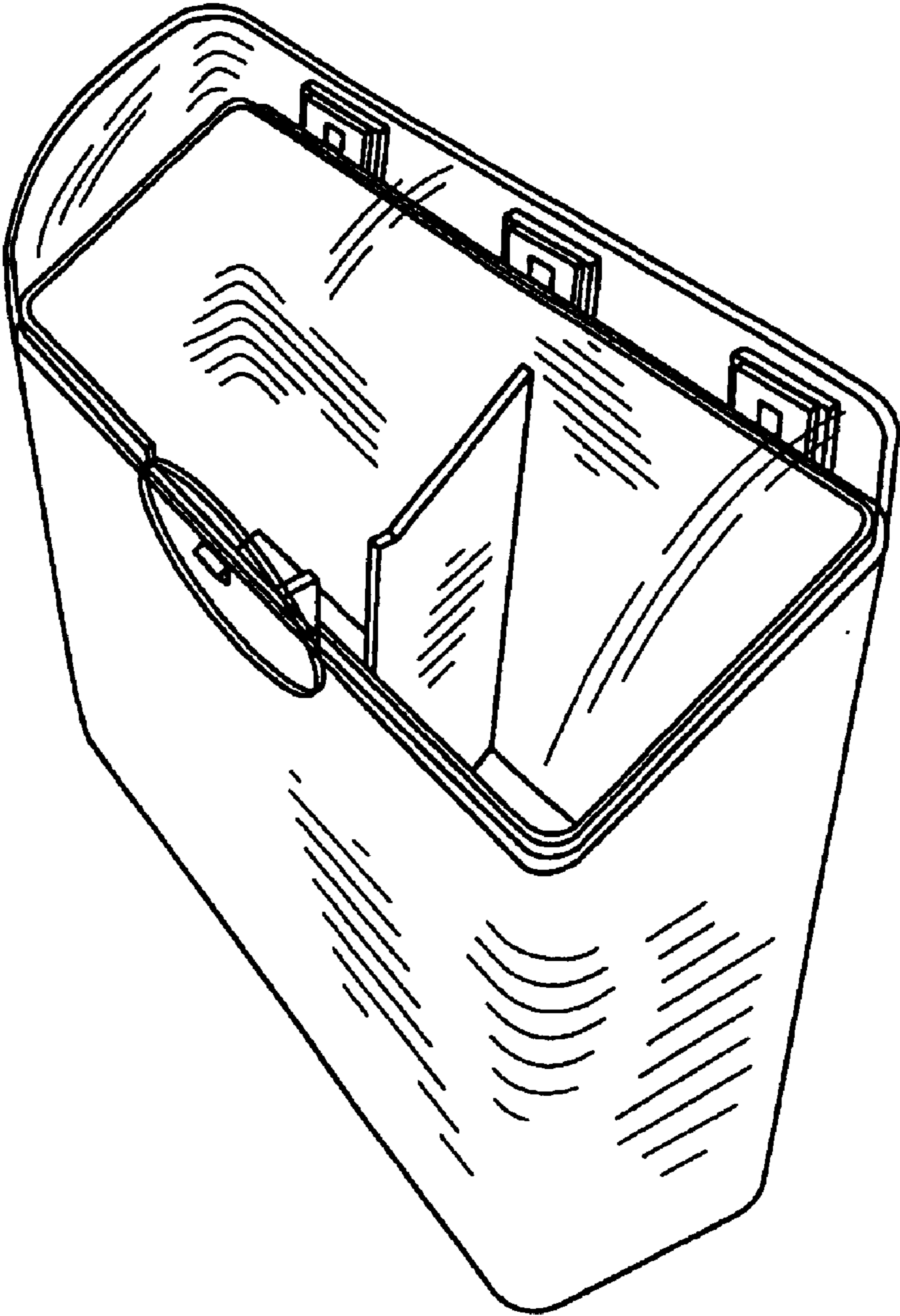


FIG. 1

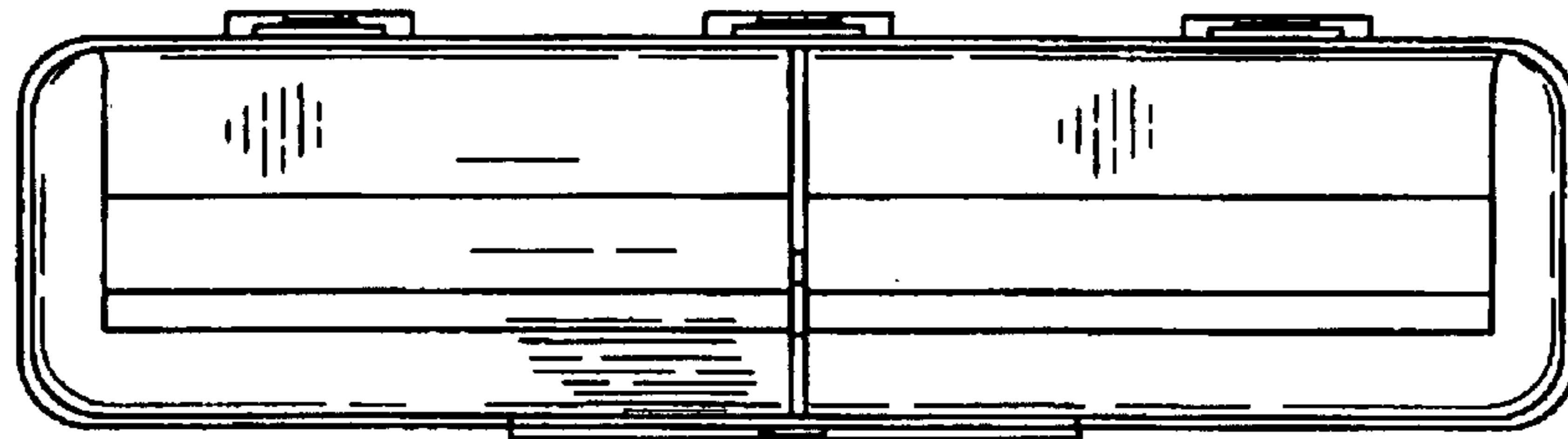


FIG. 2

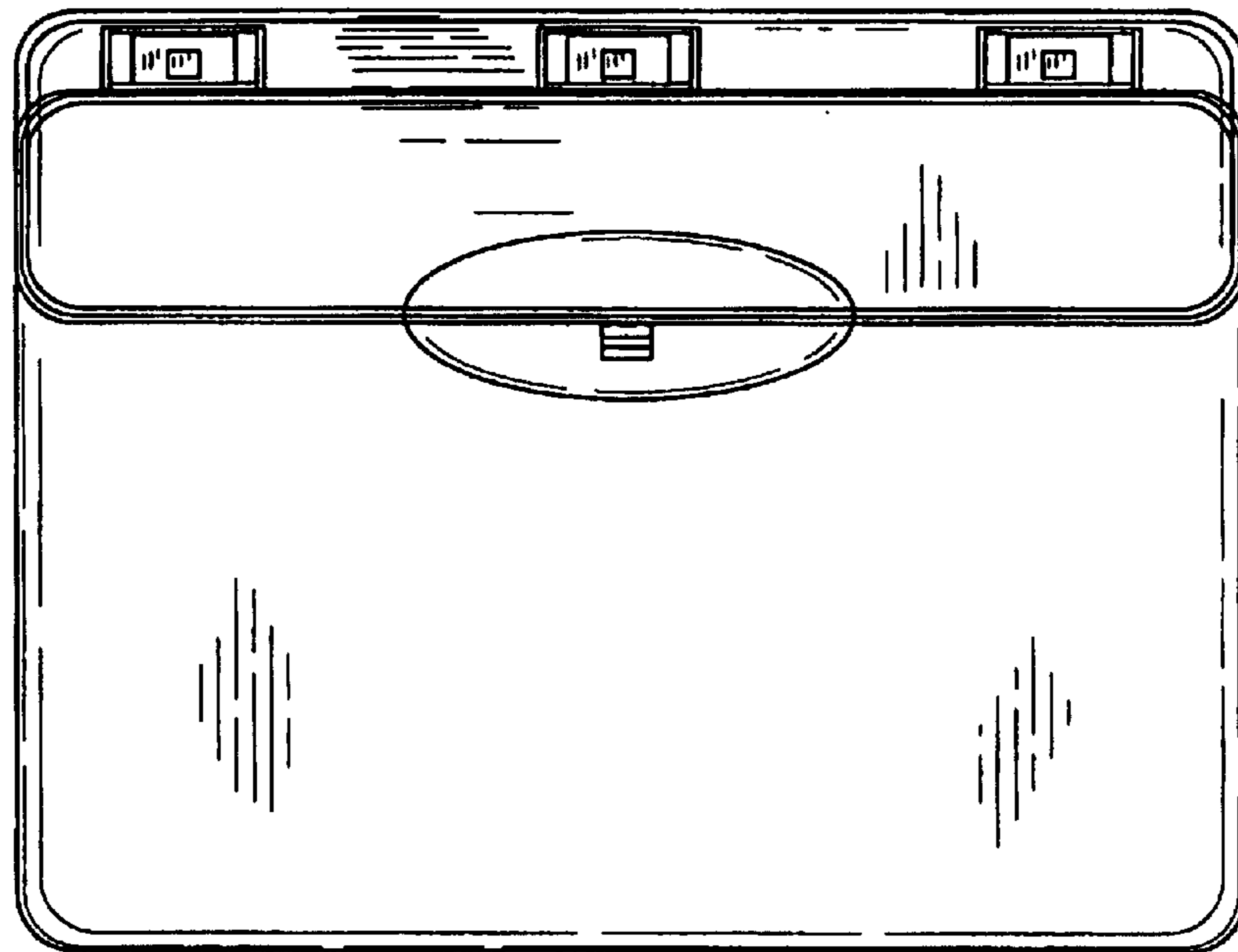


FIG. 3

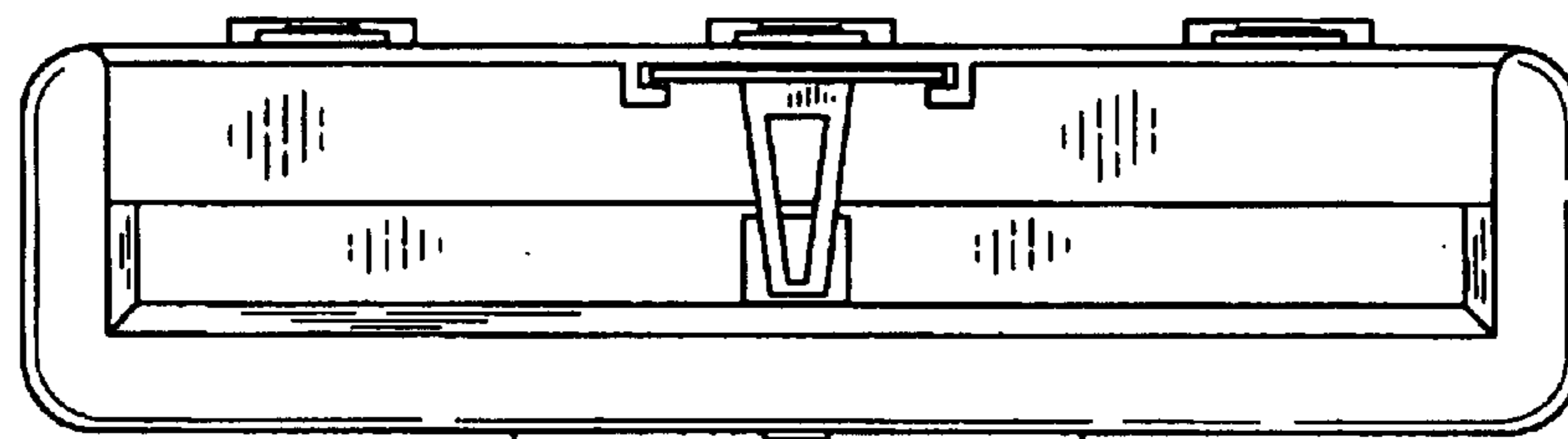


FIG. 4

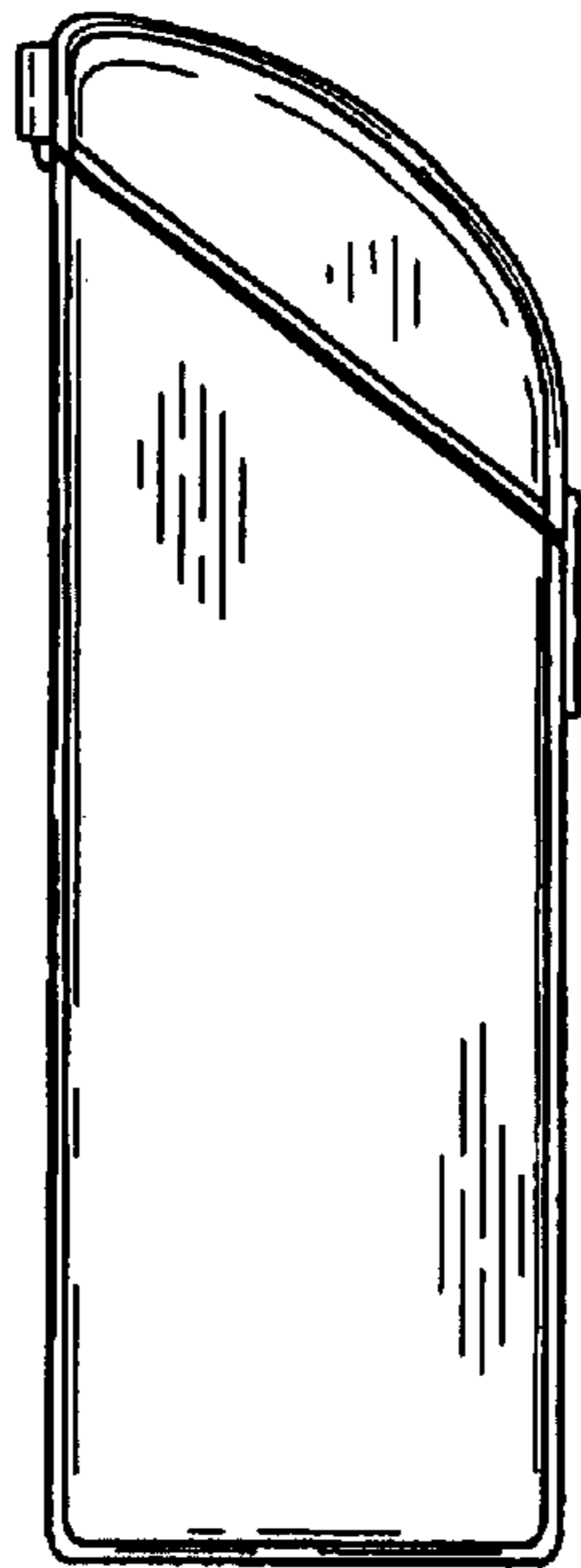


FIG. 5

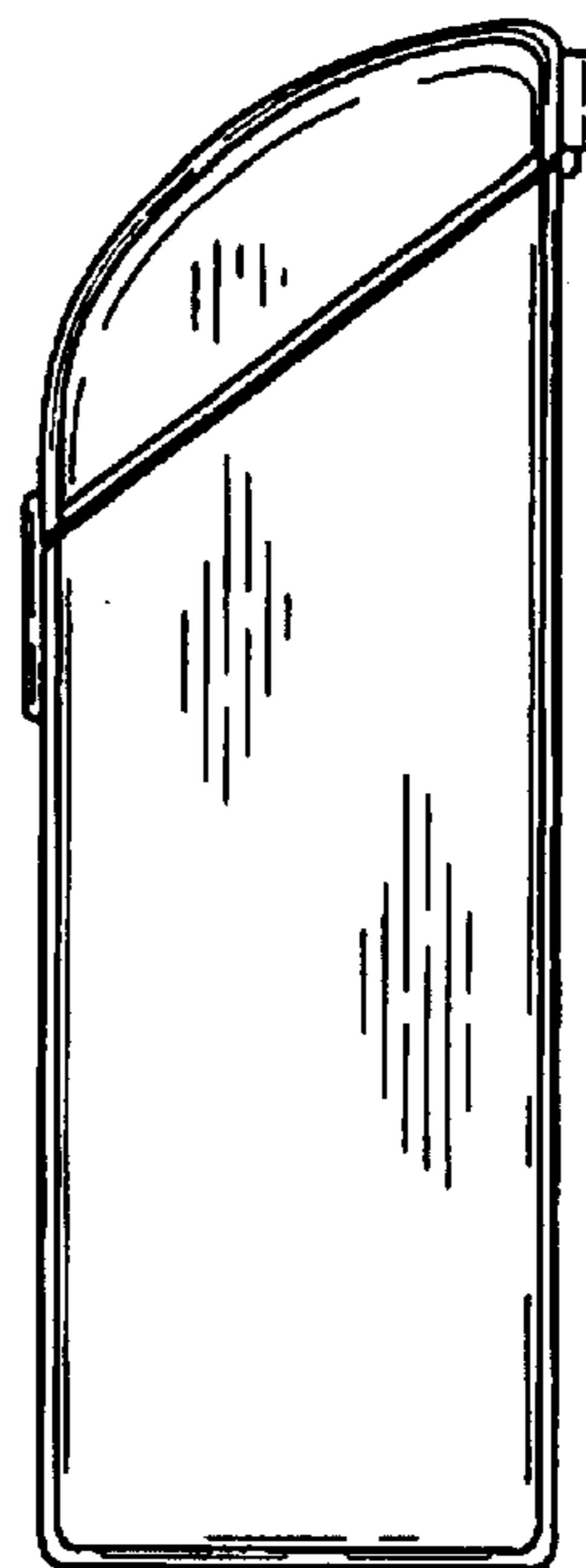


FIG. 6

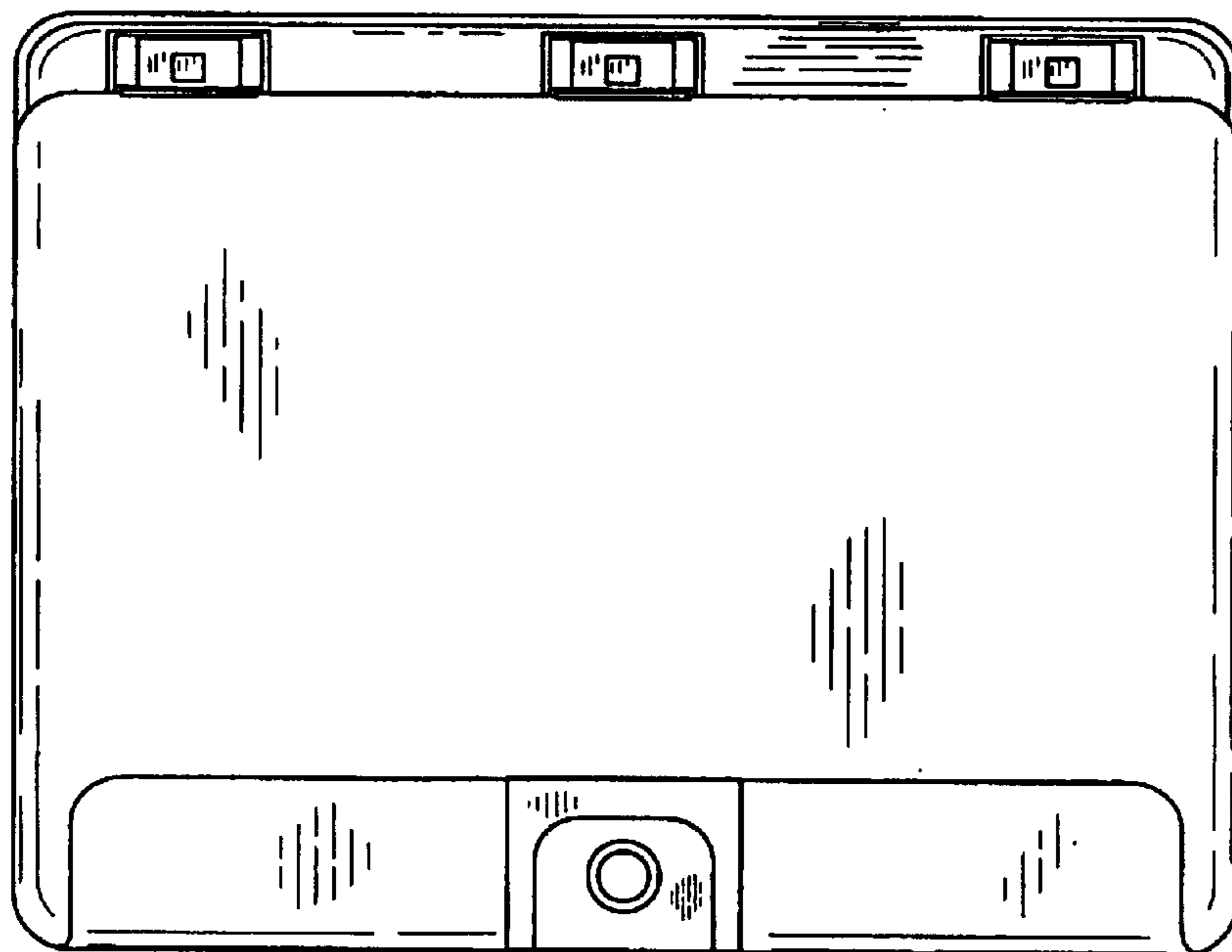


FIG. 7

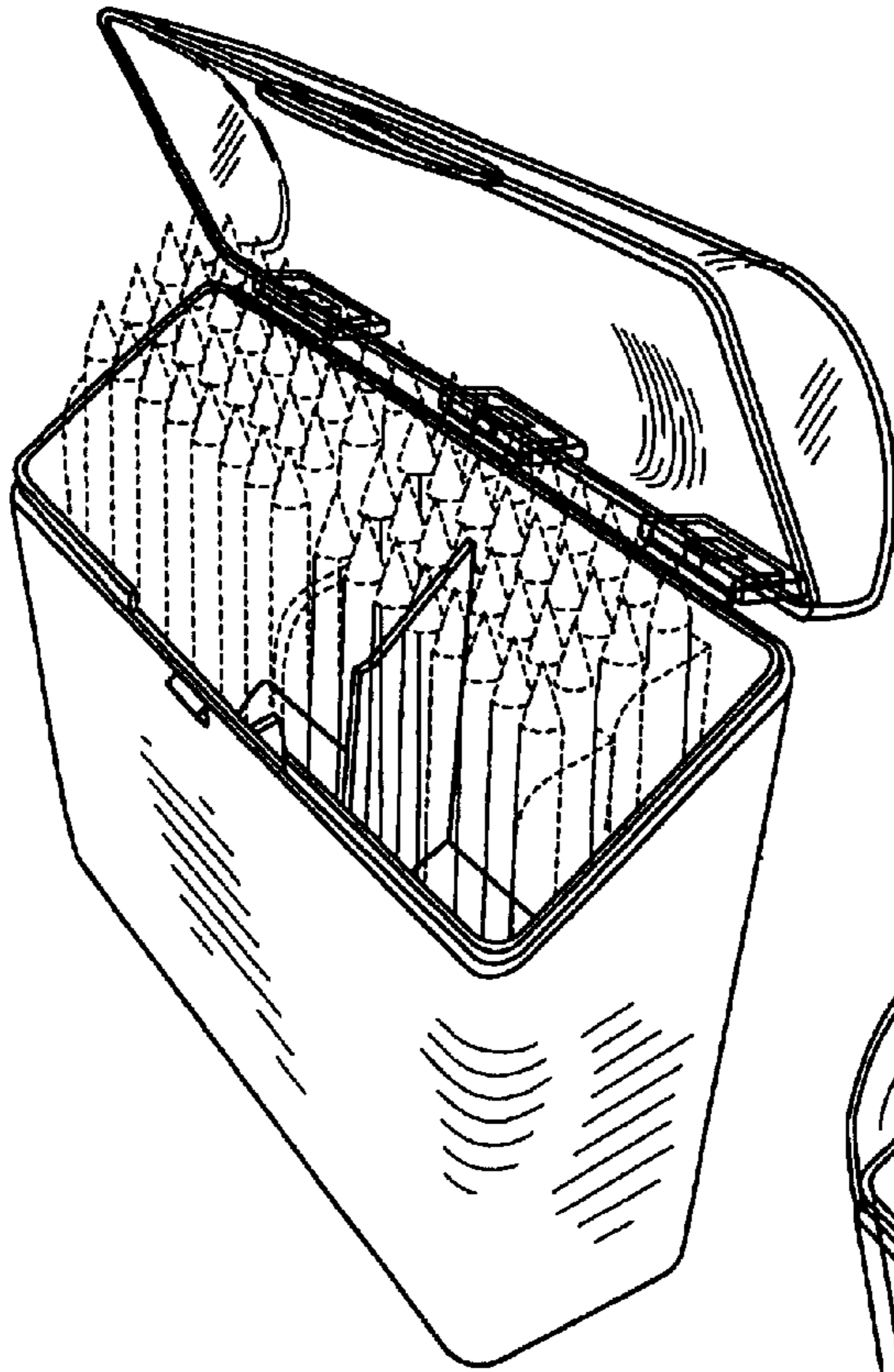


FIG. 8

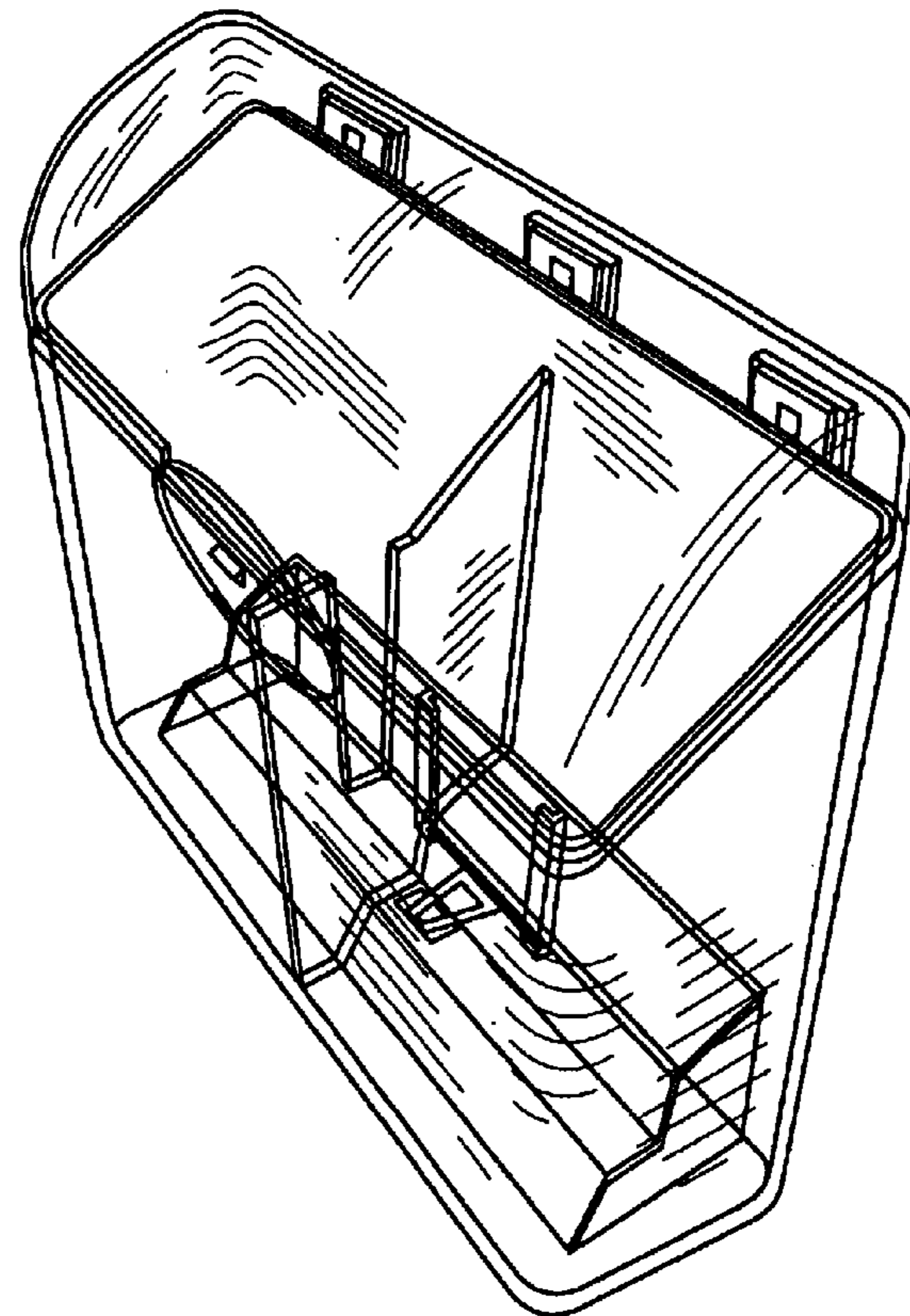


FIG. 9