



US00D538528S

(12) **United States Design Patent** (10) **Patent No.:** **US D538,528 S**  
**Dawson** (45) **Date of Patent:** **\*\* Mar. 20, 2007**

(54) **MEDICAL CASE**

*Primary Examiner*—Catherine R. Oliver

(76) Inventor: **Christopher K. Dawson**, 5955  
Chuckwood Dr., Greensboro, NC (US)  
27407

(57) **CLAIM**

The ornamental design for a medical case, as shown and described.

(\*\*) Term: **14 Years**

**DESCRIPTION**

(21) Appl. No.: **29/237,963**

FIG. 1 is a top, front, left side partially open perspective view of a medical case embodying my design, the carry strap being flexible and shown in only one position herein;

(22) Filed: **Sep. 8, 2005**

FIG. 2 is a closed bottom plan view thereof;

(51) **LOC (8) Cl.** ..... **03-01**

FIG. 3 is a closed rear elevational view thereof;

(52) **U.S. Cl.** ..... **D3/203.1**

FIG. 4 is a closed top plan view thereof;

(58) **Field of Classification Search** ..... D3/203.1,  
D3/203.6, 203.7, 294, 295, 900–905, 260;  
206/530–538, 315.11

FIG. 5 is a closed right side elevational view thereof, the left side excepting the carrying strap being a mirror image thereof;

See application file for complete search history.

FIG. 6 is a closed front elevational view thereof;

(56) **References Cited**

**U.S. PATENT DOCUMENTS**

- D196,894 S \* 11/1963 MacKinnon ..... D3/203.1
- D281,836 S \* 12/1985 Sparkman ..... D3/203.7
- D305,798 S \* 1/1990 Say ..... D3/203.6
- 4,960,204 A 10/1990 Young et al. .... 206/235
- D339,233 S \* 9/1993 Patrick ..... D3/901

FIG. 7 is an open left side elevational view with the center divider raised vertically;

**OTHER PUBLICATIONS**

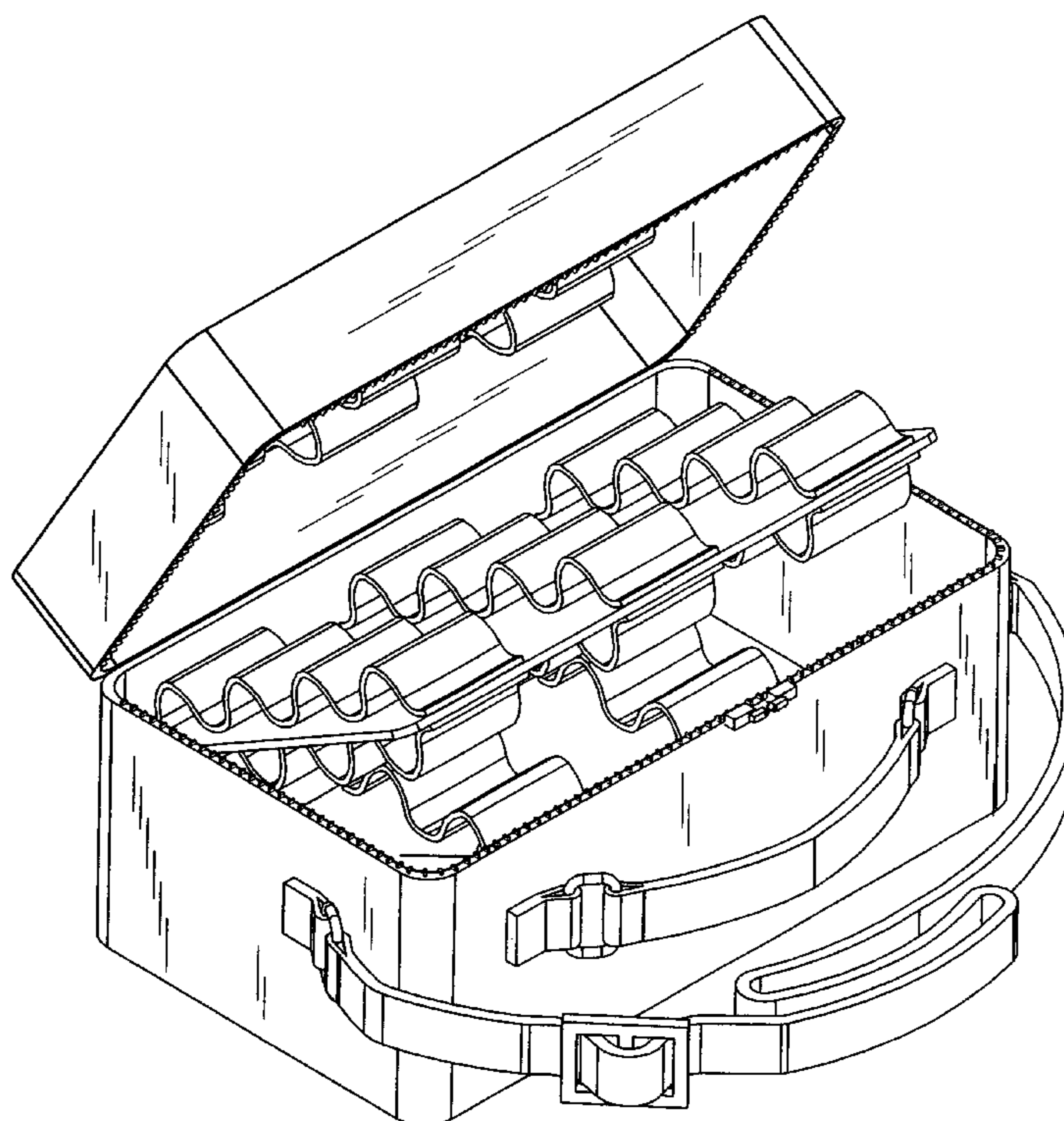
FIG. 8 is an open top plan view thereof with the center divider therein; and,

Ten (10) pages of drawings from our file No. 00453–02 of Christopher K. Dawson for a Medical Case filed on Mar. 20, 2006.

FIG. 9 is an open top plan view thereof with the center divider removed for clarity.

\* cited by examiner

**1 Claim, 9 Drawing Sheets**



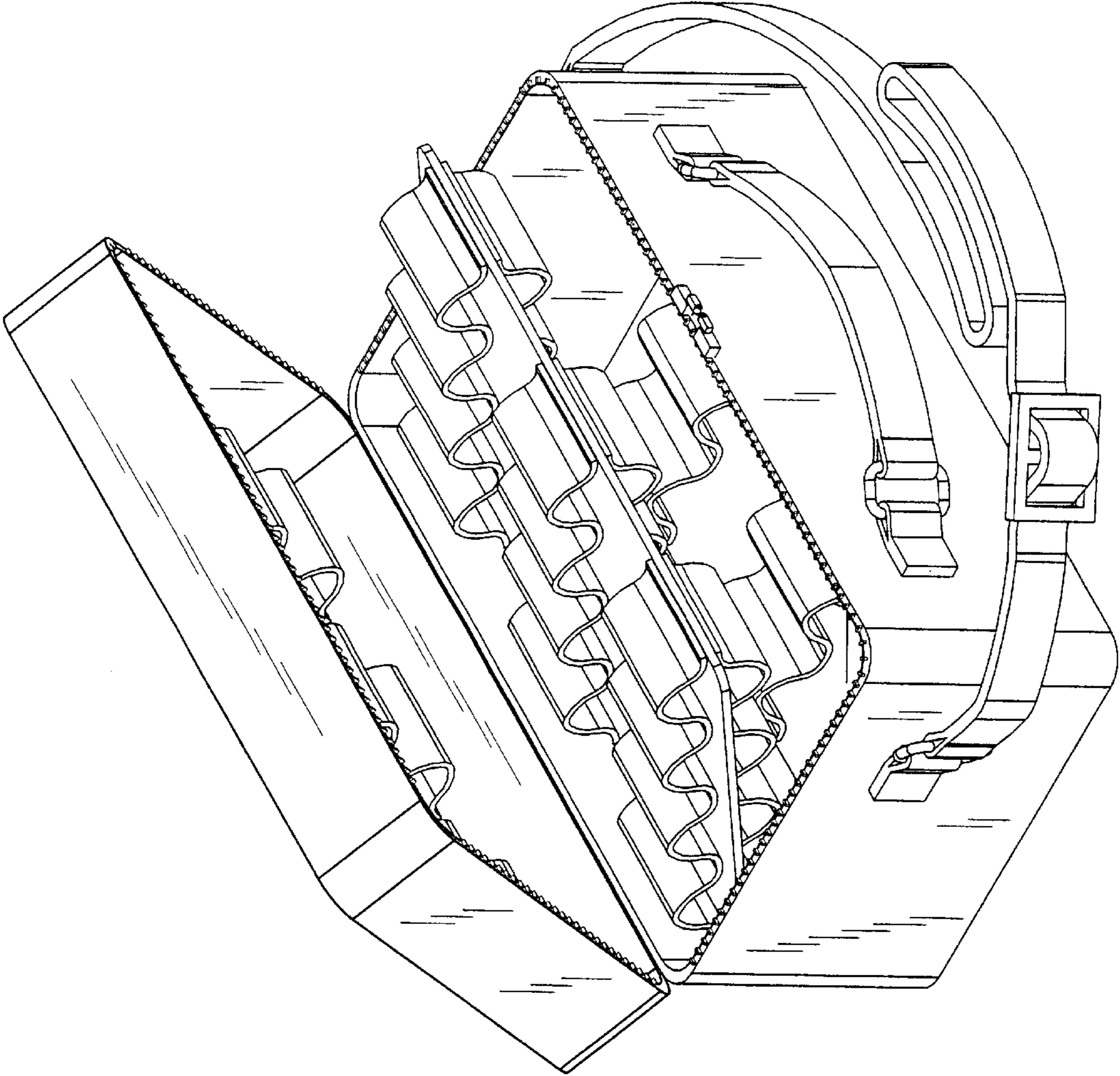


FIG. 1

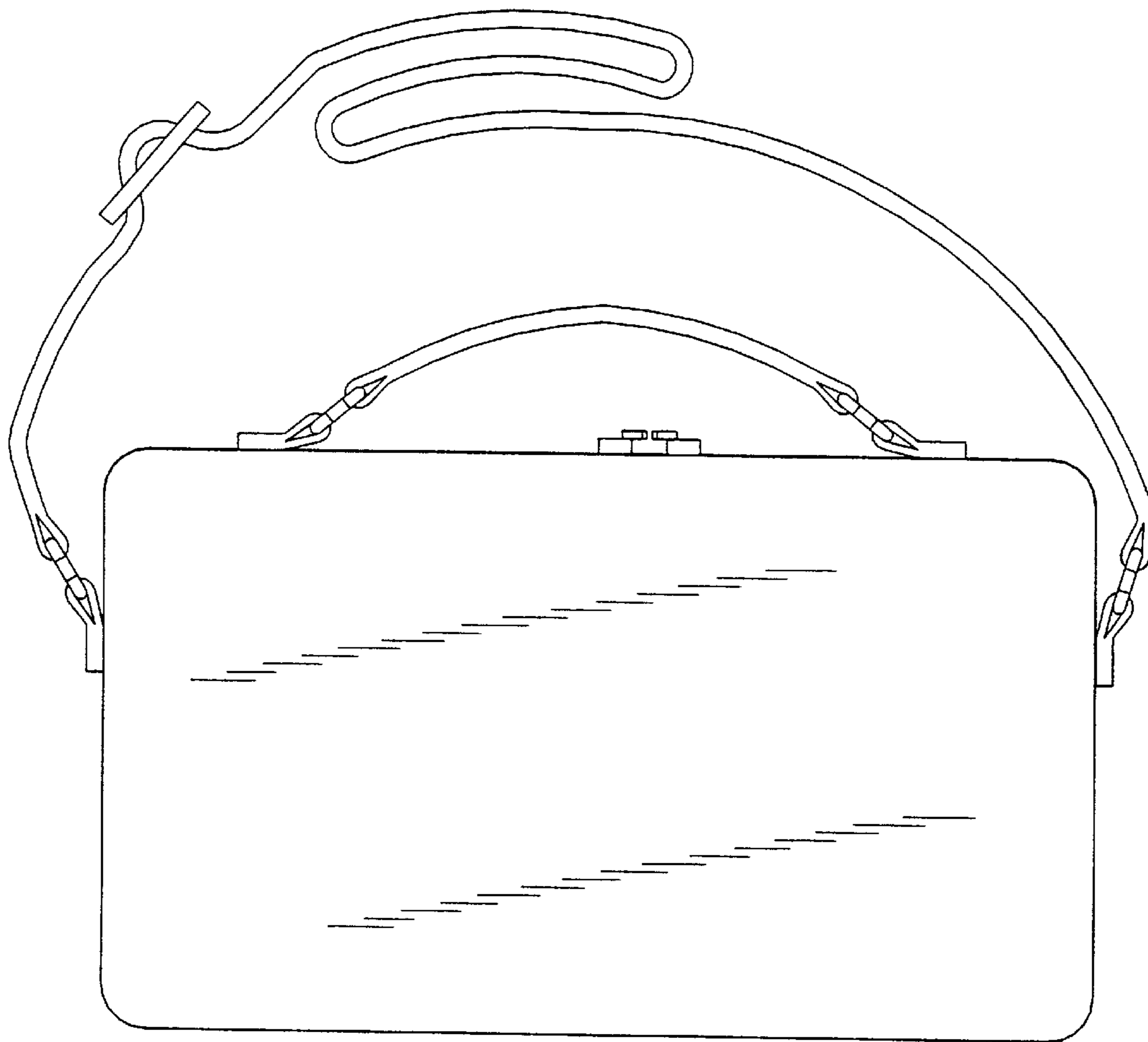


FIG. 2

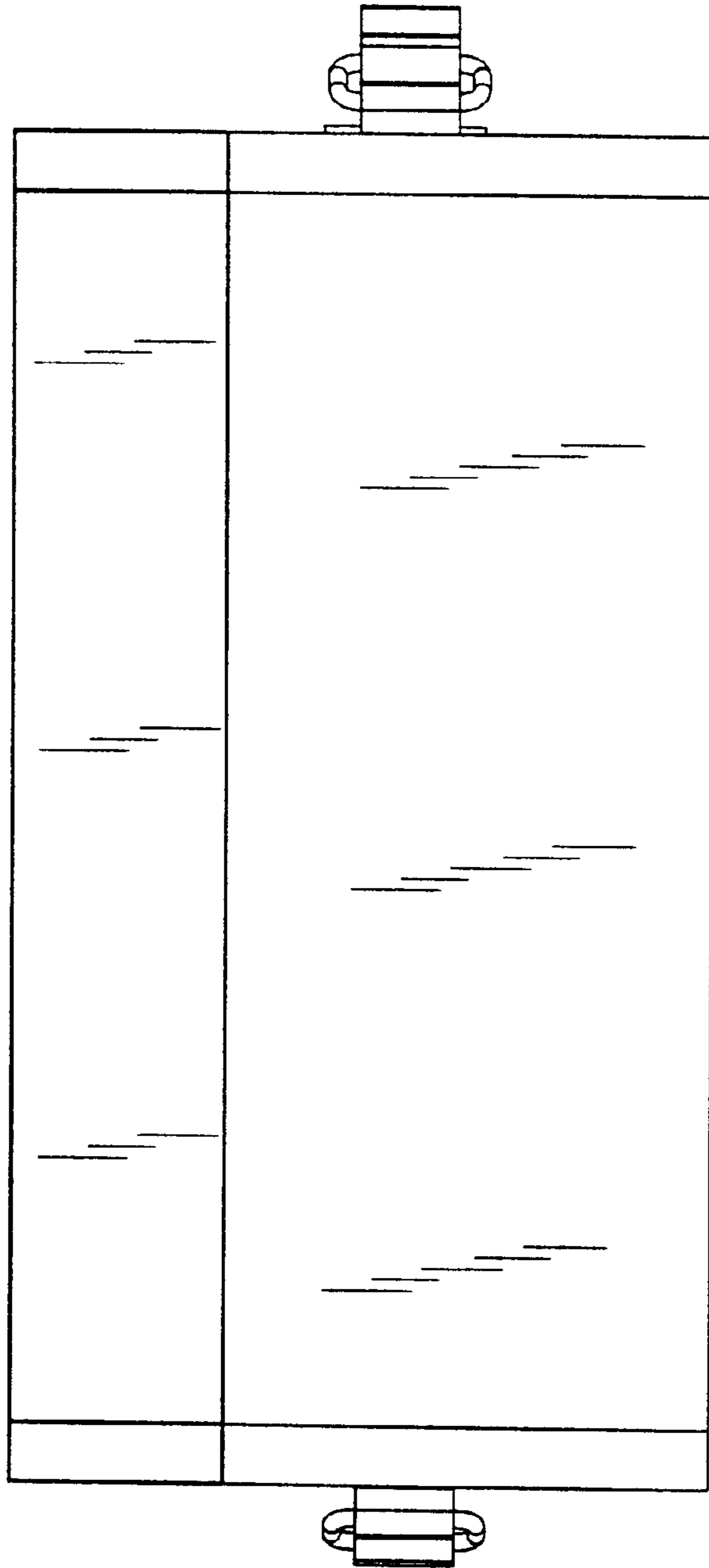


FIG. 3

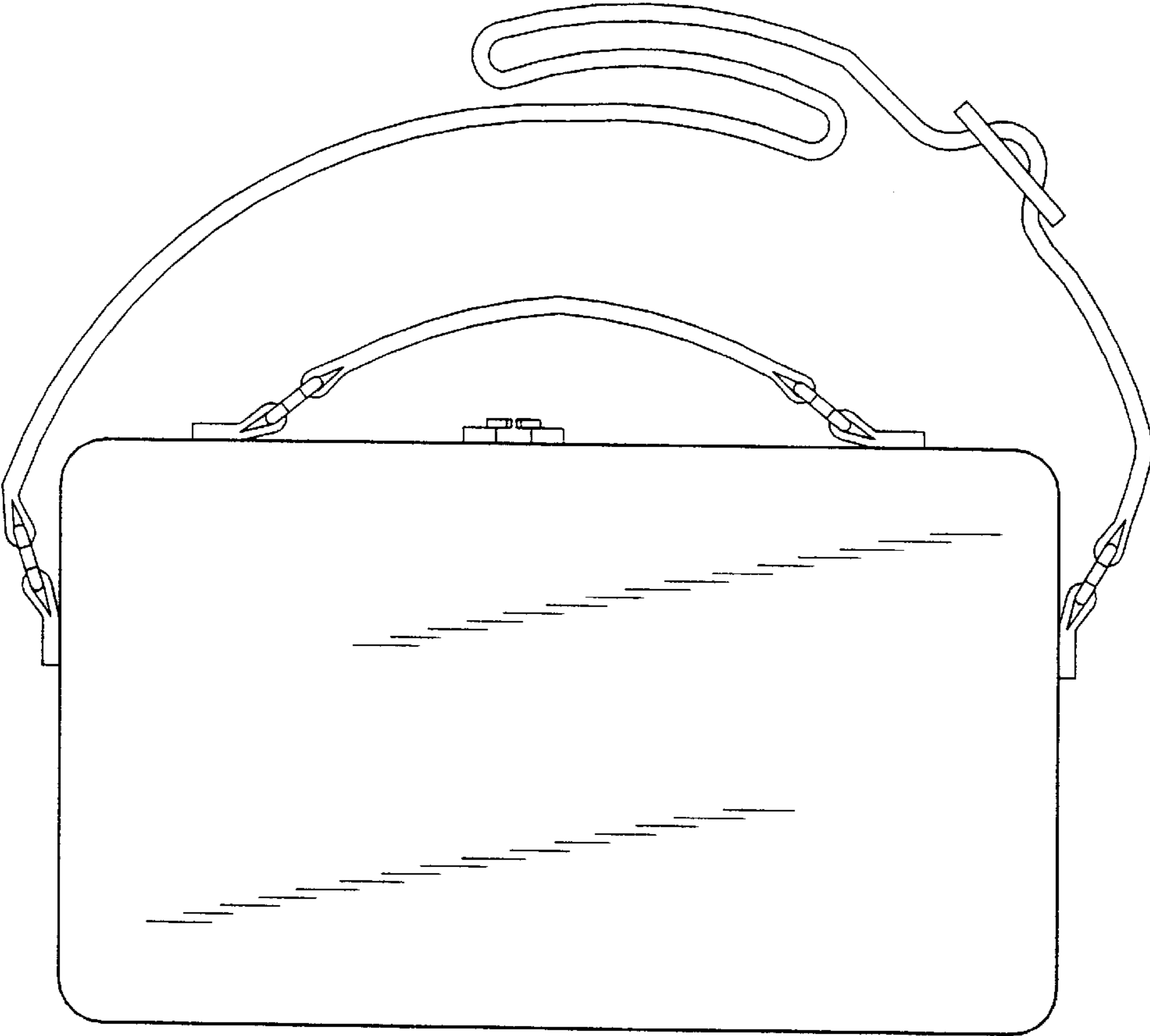


FIG. 4

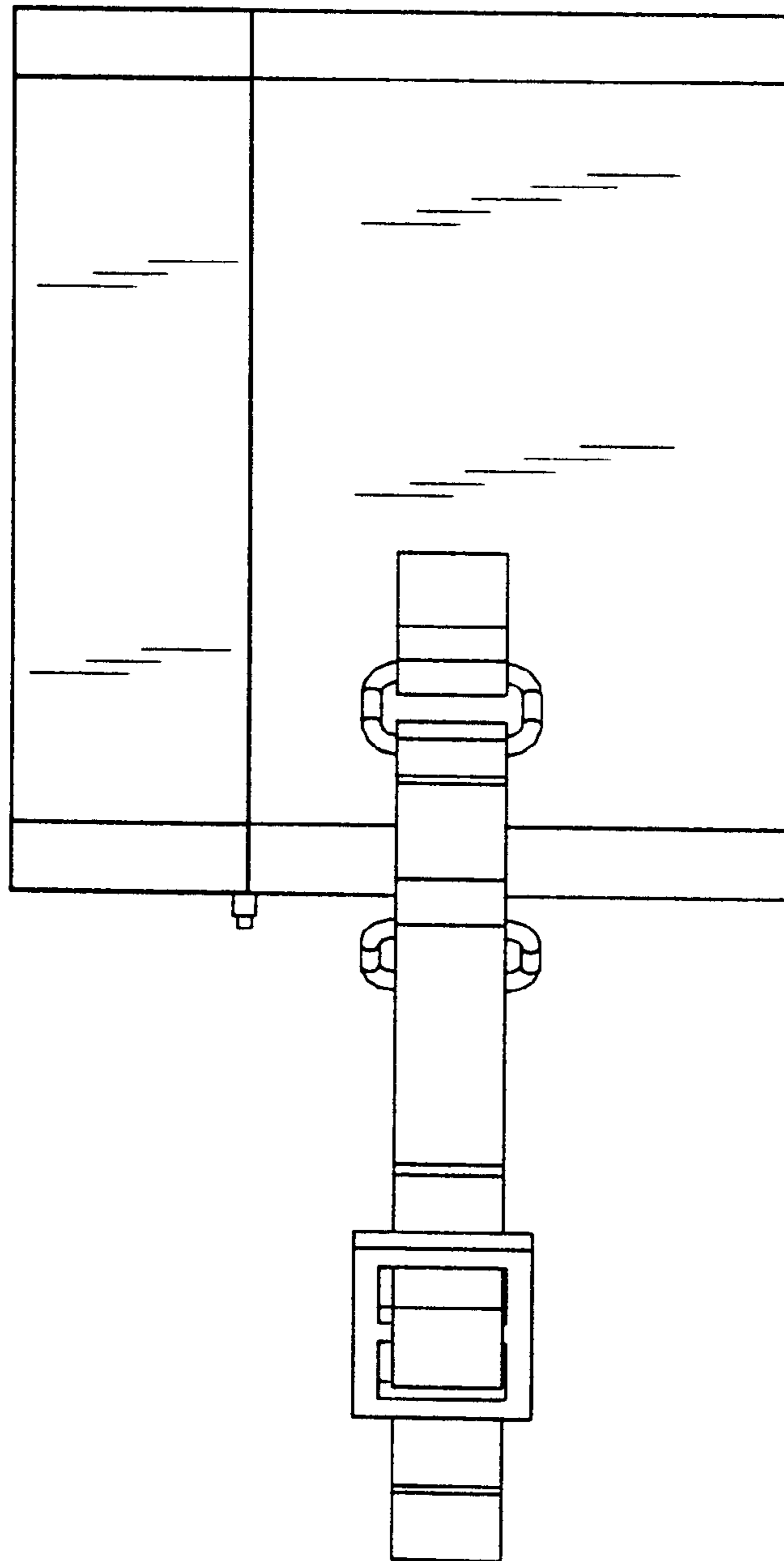


FIG. 5

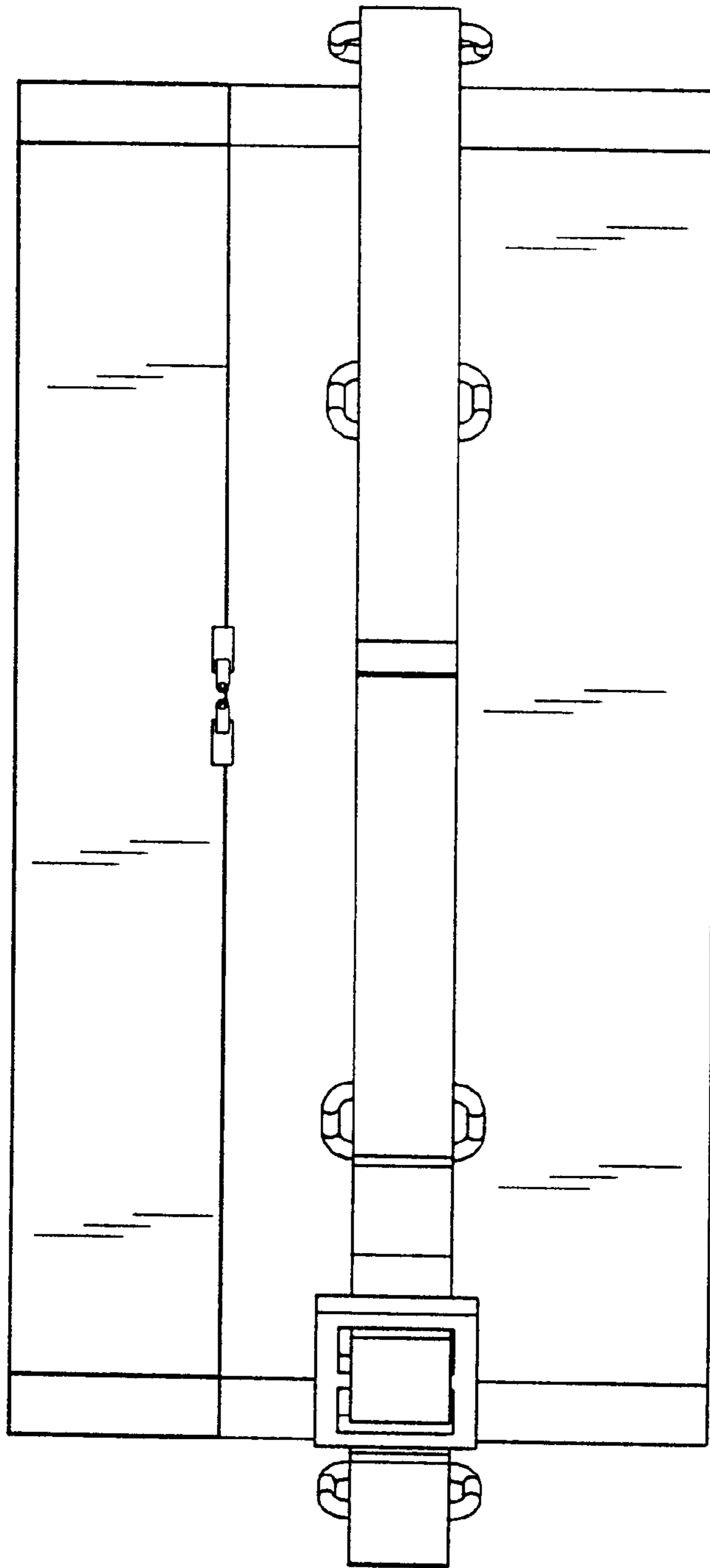


FIG. 6

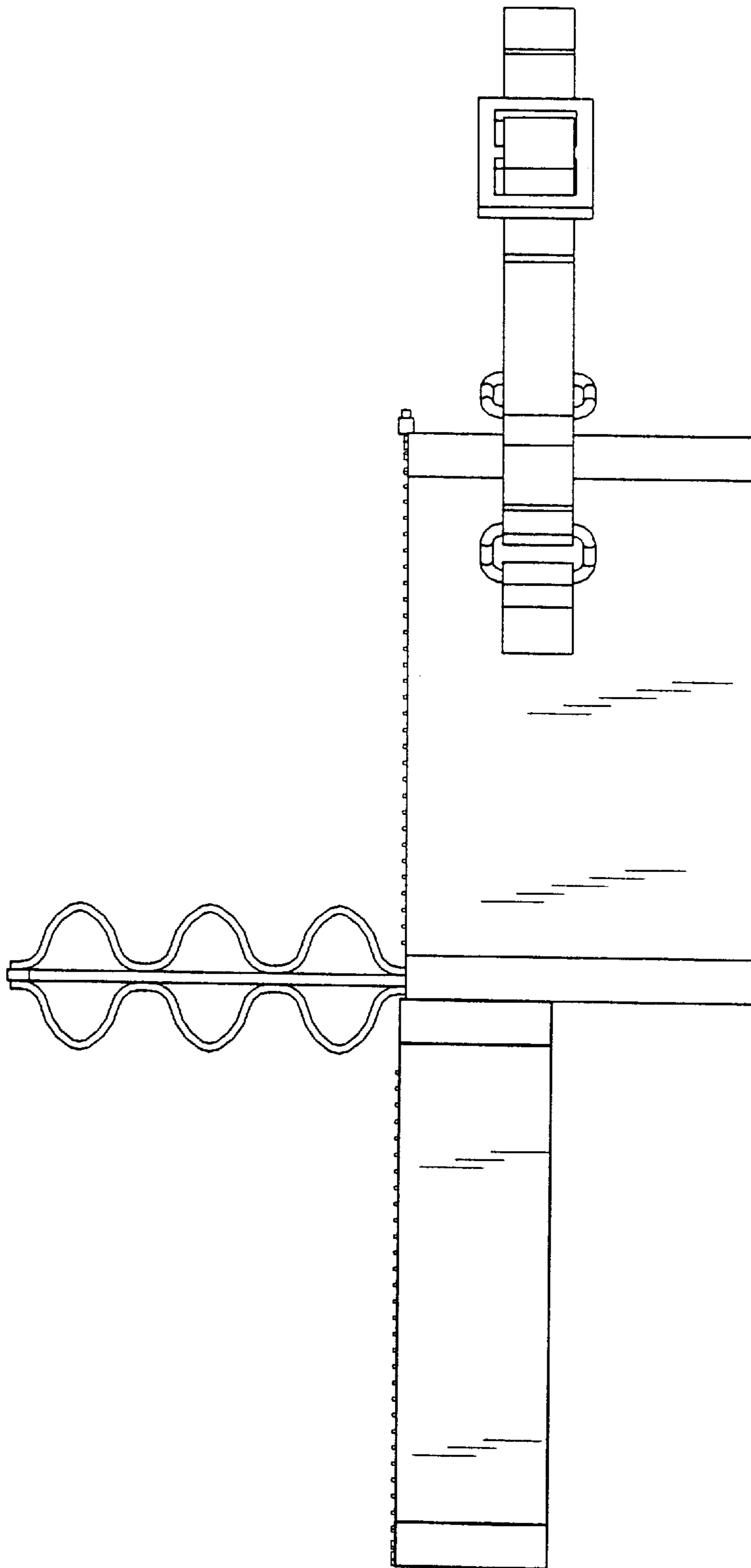


FIG. 7



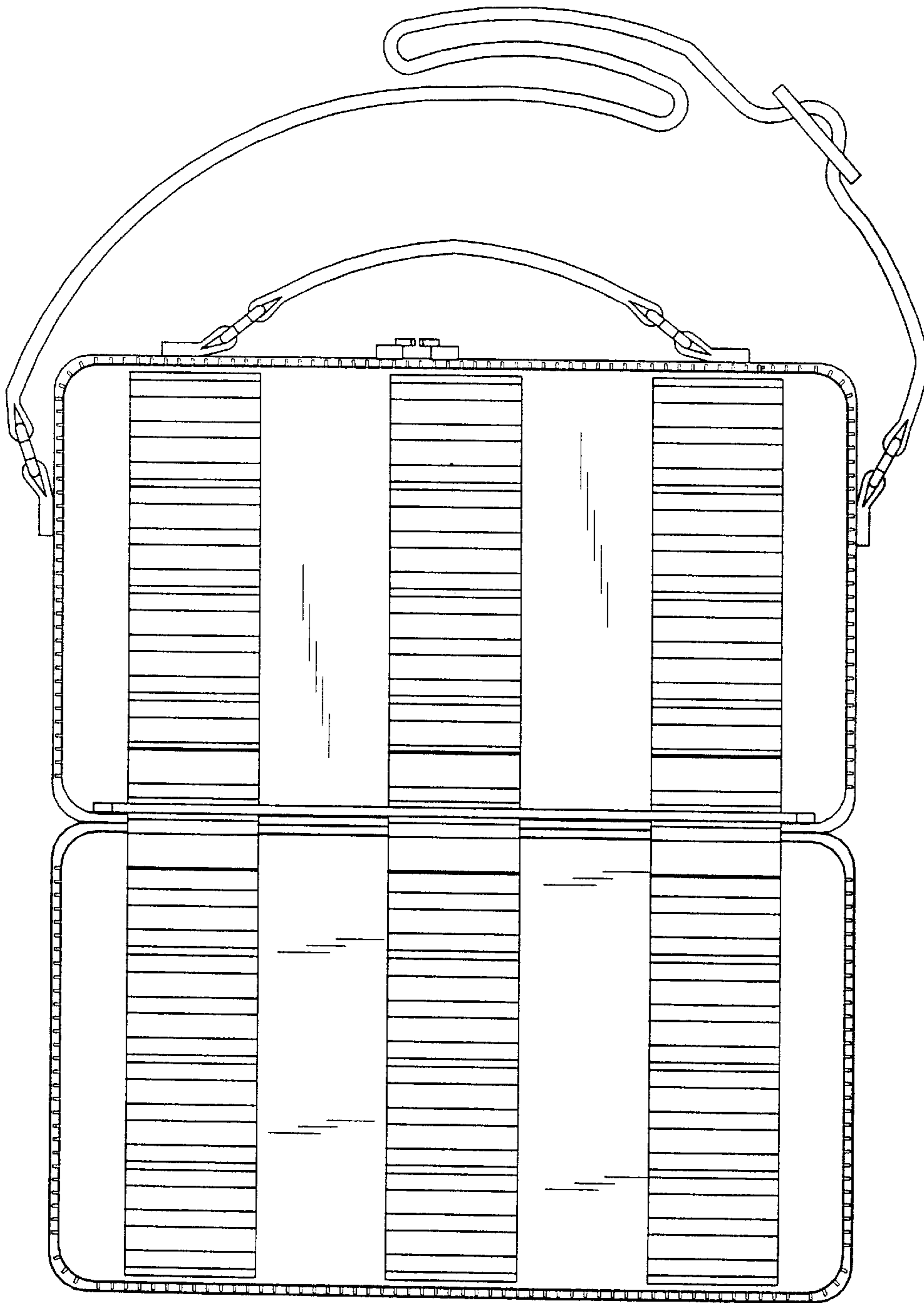


FIG. 8

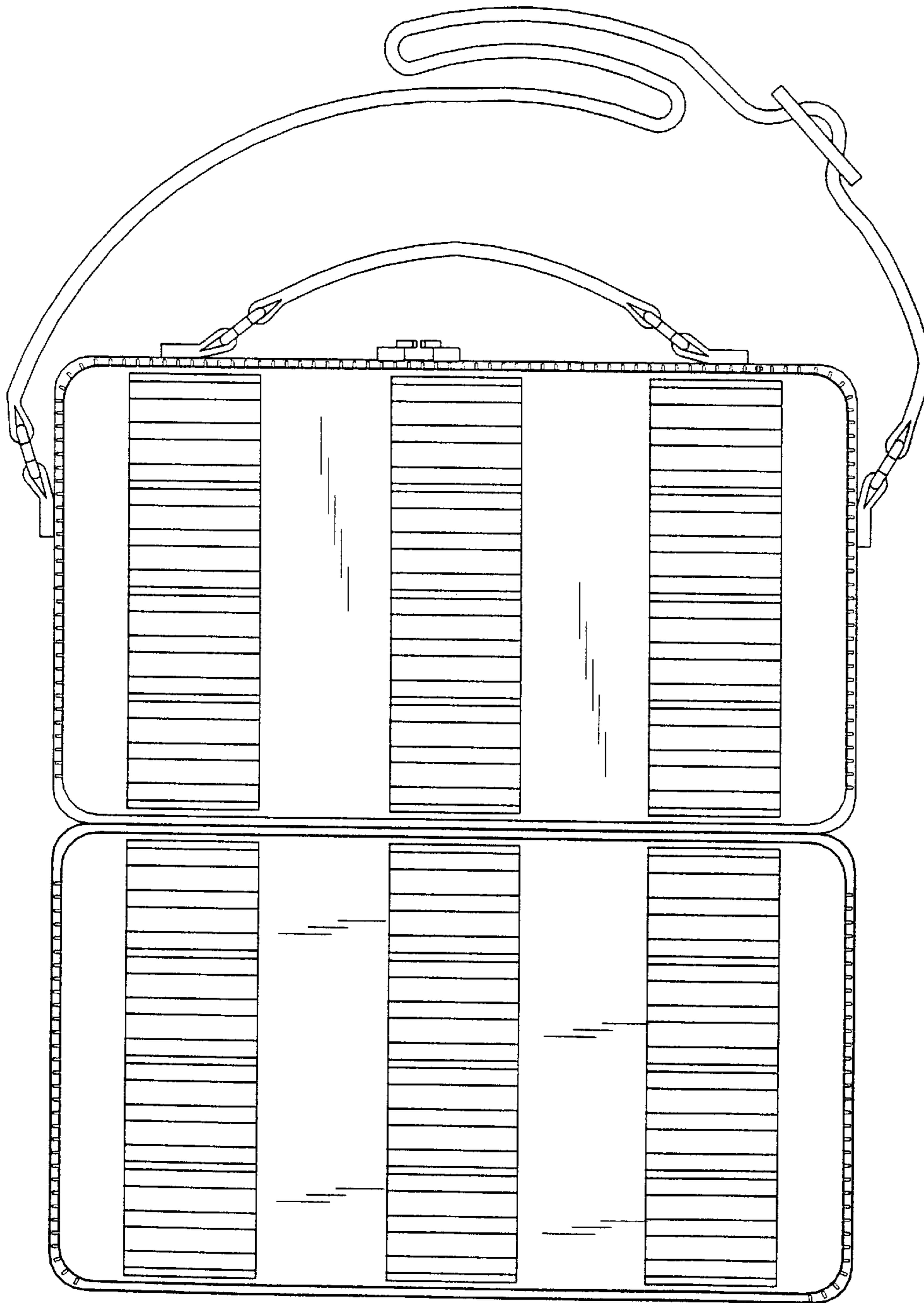


FIG. 9