



US00D538514S

(12) **United States Design Patent**  
**Nadeau**

(10) **Patent No.:** **US D538,514 S**  
(45) **Date of Patent:** **\*\* Mar. 20, 2007**

(54) **DETACHABLE SWEATBAND LINER FOR HEADGEAR**

(76) Inventor: **Kenneth J. Nadeau**, 250 E. Main St.,  
Georgetown, MA (US) 01833

(\*\*) Term: **14 Years**

(21) Appl. No.: **29/238,552**

(22) Filed: **Sep. 19, 2005**

(51) **LOC (8) Cl.** ..... **02-03**

(52) **U.S. Cl.** ..... **D2/894**

(58) **Field of Classification Search** ..... D2/609,  
D2/865, 875, 882, 891, 892, 894, 895; 2/171,  
2/181, 181.2, 181.4, 183.2, 183, DIG. 11;  
D5/44, 53, 58; D12/203; D20/11; 428/1.61,  
428/32.78, 40.1

See application file for complete search history.

(56) **References Cited**

**U.S. PATENT DOCUMENTS**

D54,285 S	*	12/1919	Spiro	.....	D12/203
2,106,075 A	*	1/1938	Tabley	.....	2/181
2,783,474 A	*	3/1957	Campagna et al.	.....	2/171
4,918,758 A	*	4/1990	Rendina	.....	2/171
D317,523 S	*	6/1991	Smith	.....	D2/894
5,025,504 A		6/1991	Benston		
D343,282 S	*	1/1994	Irish	.....	D2/875
5,313,668 A		5/1994	Bogan		
5,317,761 A	*	6/1994	Piche	.....	2/181

D354,842 S	*	1/1995	Imre	.....	D2/891
5,566,395 A		10/1996	Nebeker		
D394,538 S	*	5/1998	Murray	.....	D2/891
5,920,910 A		7/1999	Calvo		
6,205,590 B1	*	3/2001	Gorman	.....	2/181
6,477,715 B2		11/2002	Shin		
6,499,144 B1	*	12/2002	Yan	.....	2/181.2
6,738,985 B2		5/2004	Hahn et al.		
D513,356 S	*	1/2006	Kincaid	.....	D2/609
D526,129 S	*	8/2006	Delaney	.....	D5/53

\* cited by examiner

*Primary Examiner*—Robert M. Spear

*Assistant Examiner*—Mary Ann Calabrese

(57) **CLAIM**

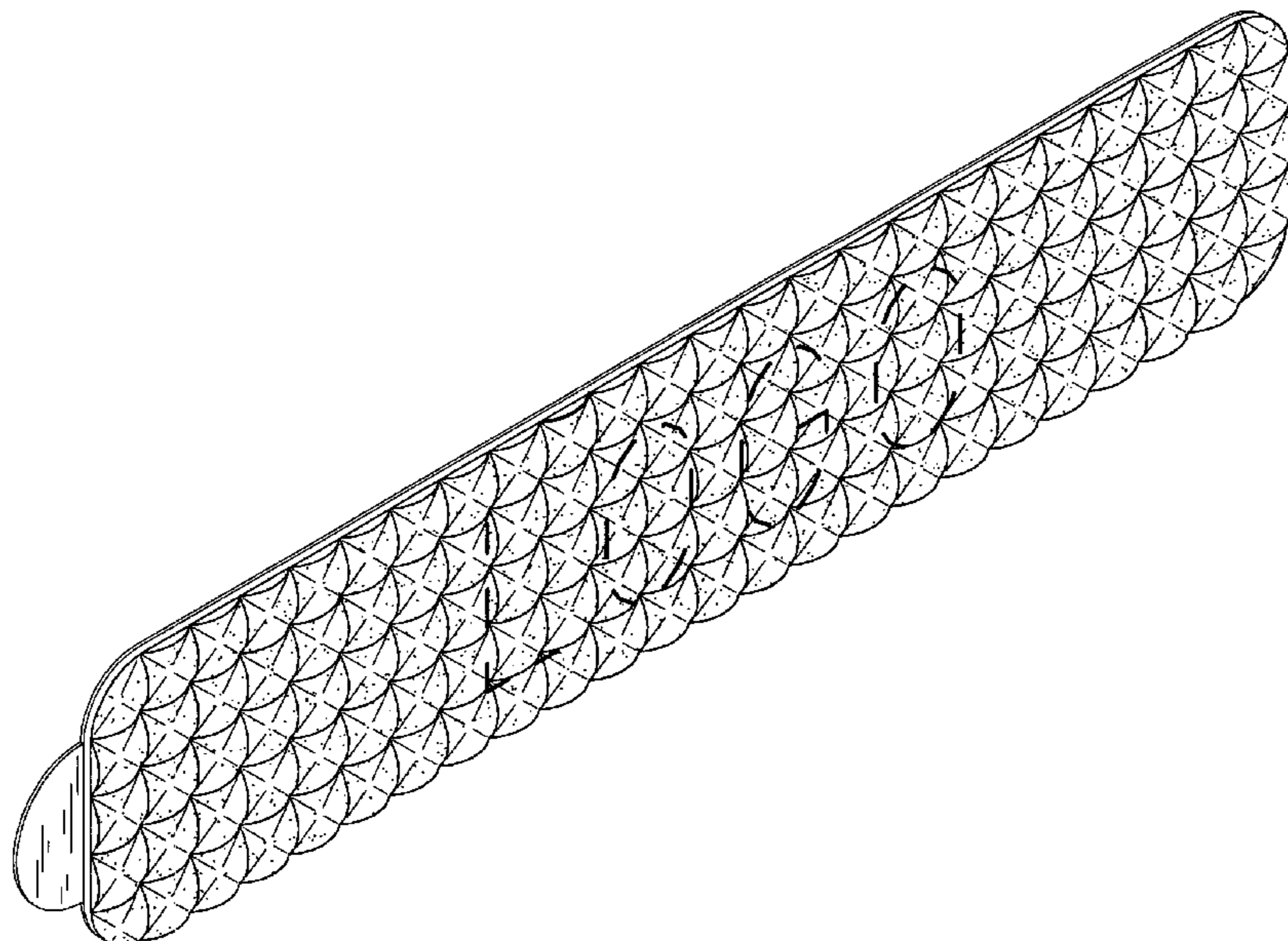
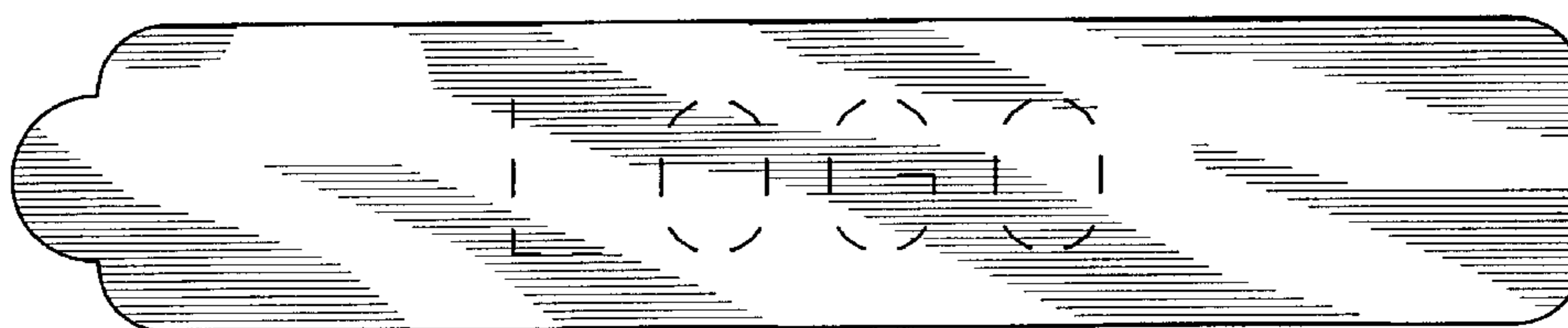
The ornamental design for a detachable sweatband liner for headgear, as shown and described.

**DESCRIPTION**

FIG. 1 is a front elevational view of a detachable sweatband liner for headgear showing my new design; FIG. 2 is a rear elevational view thereof; FIG. 3 is a side elevational view thereof; FIG. 4 is a right side elevational thereof; FIG. 5 is a left side elevational view thereof; and, FIG. 6 is a perspective view thereof.

The broken lines shown on the figures are for illustrative purposes only and are hereby disclaimed as forming no part of Applicant's claimed design.

**1 Claim, 2 Drawing Sheets**



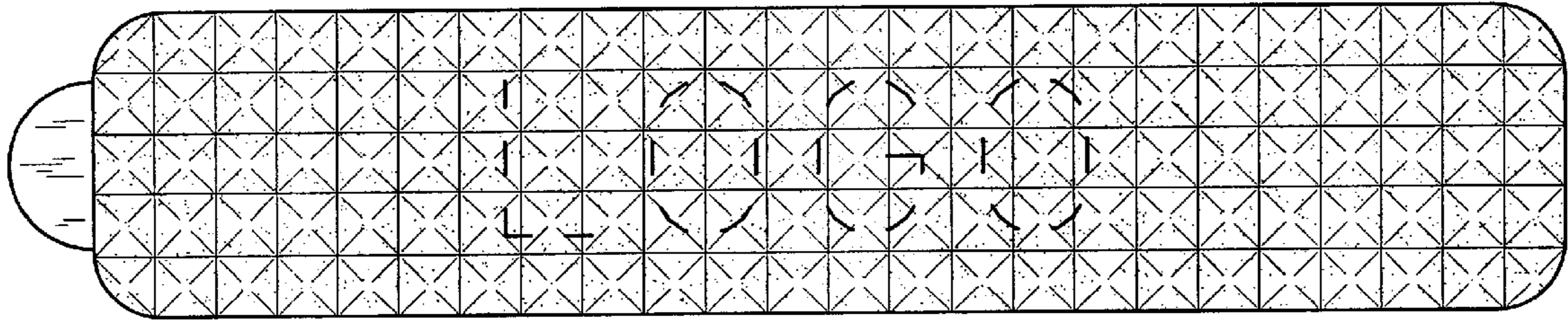


FIG. 1

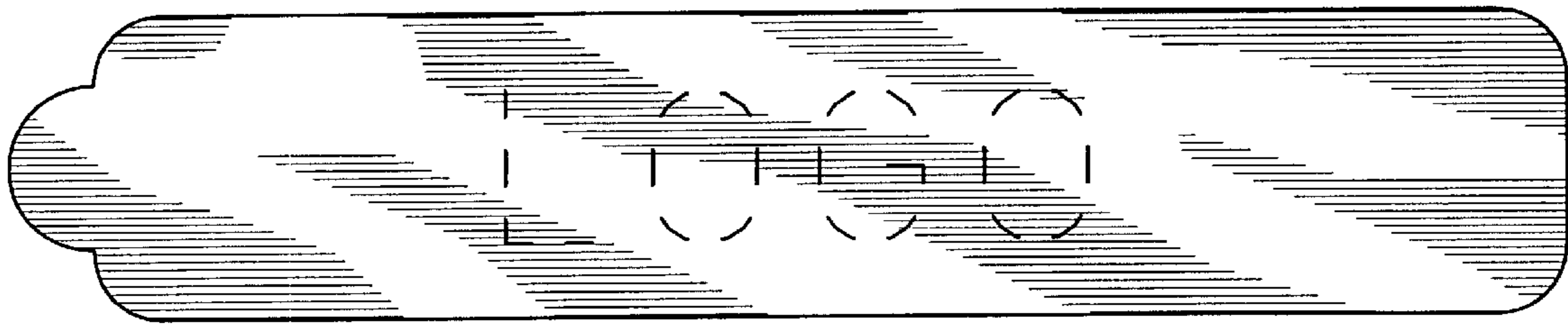


FIG. 2



FIG. 3

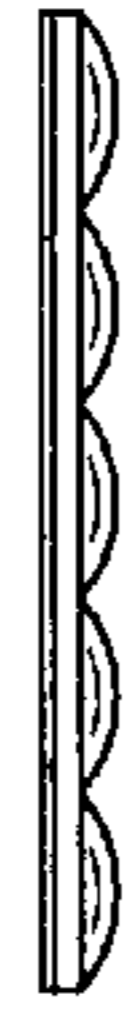


FIG. 4



FIG. 5

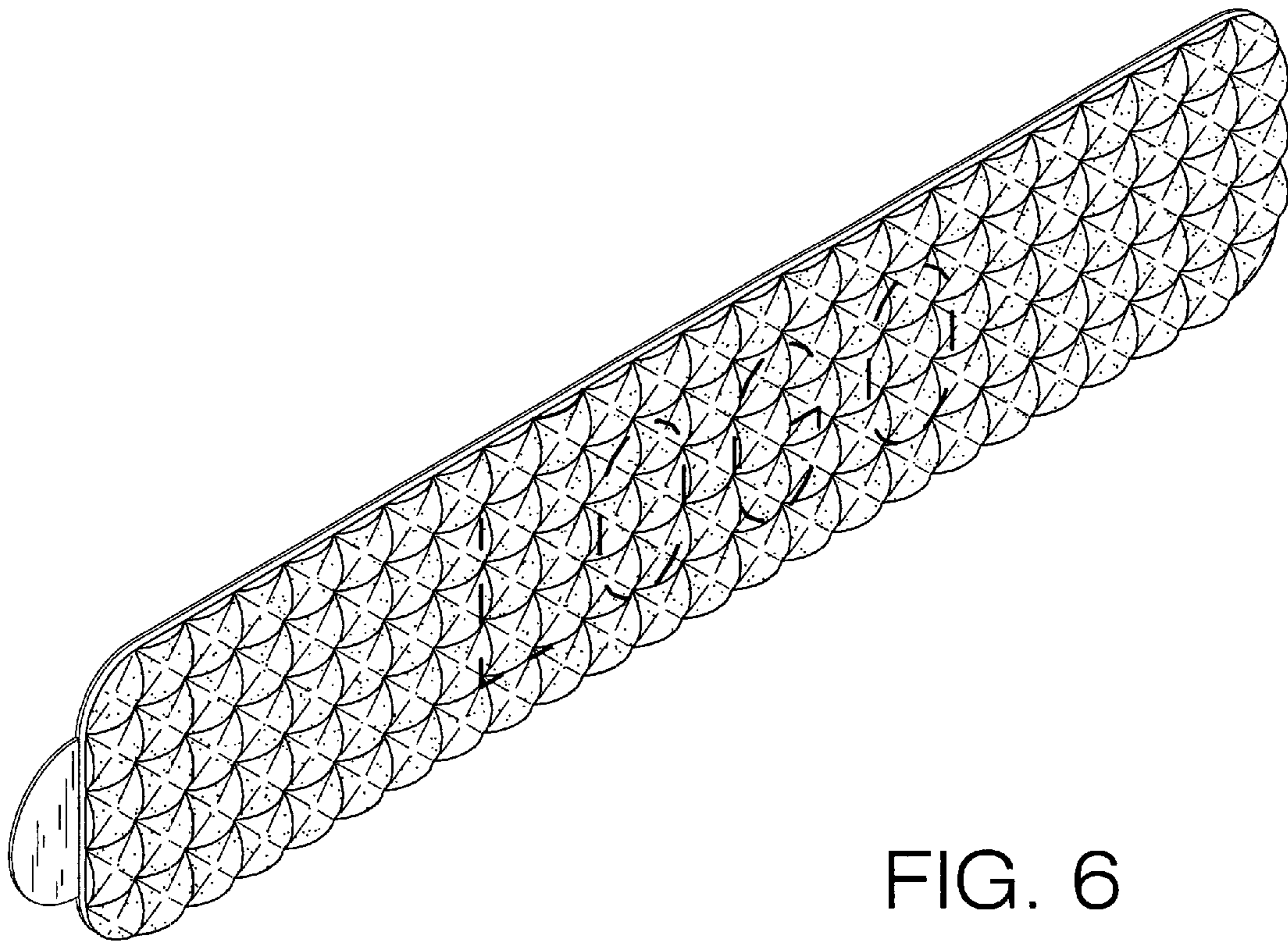


FIG. 6