



US00D538511S

(12) **United States Design Patent**  
**Short Holloway**

(10) **Patent No.:** **US D538,511 S**

(45) **Date of Patent:** **\*\* Mar. 20, 2007**

(54) **JACKET**

(76) **Inventor:** **Vera M. Short Holloway**, P.O. Box  
1628, Yuba City, CA (US) 95991

(\*\*) **Term:** **14 Years**

(21) **Appl. No.:** **29/252,149**

(22) **Filed:** **Jan. 18, 2006**

(51) **LOC (8) Cl.** ..... **02-02**

(52) **U.S. Cl.** ..... **D2/831; D2/839**

(58) **Field of Classification Search** ..... D2/717,  
D2/724, 725, 828, 830, 831, 836, 838, 839,  
D2/840, 844, 857; 2/84, 90, 93-96, 113-115,  
2/247, 913

See application file for complete search history.

(56) **References Cited**

**U.S. PATENT DOCUMENTS**

2,264,314	A	*	12/1941	Johns	.....	2/84
2,462,361	A	*	2/1949	Cassens	.....	2/108
2,715,226	A	*	8/1955	Weiner	.....	2/79
D256,514	S	*	8/1980	Kuran	.....	D2/839
D276,189	S	*	11/1984	Kostyniuk	.....	D2/829
4,563,777	A	*	1/1986	Park	.....	2/108

D304,776	S	*	11/1989	Singer	.....	D2/845
D326,009	S	*	5/1992	Deuschle	.....	D2/838
5,138,716	A	*	8/1992	Deuschle	.....	2/108
D385,088	S	*	10/1997	Handysides	.....	D2/831
D387,190	S	*	12/1997	Garcia	.....	D2/835
D512,204	S	*	12/2005	Thomas et al.	.....	D2/831
D523,633	S	*	6/2006	Arnold	.....	D3/271.4

\* cited by examiner

*Primary Examiner*—Ian Simmons  
*Assistant Examiner*—R. Johnson

(57) **CLAIM**

I claim the ornamental design for a jacket, as shown and described.

**DESCRIPTION**

FIG. 1 is a front elevational view of a jacket showing my new design;

FIG. 2 is a rear elevational view thereof;

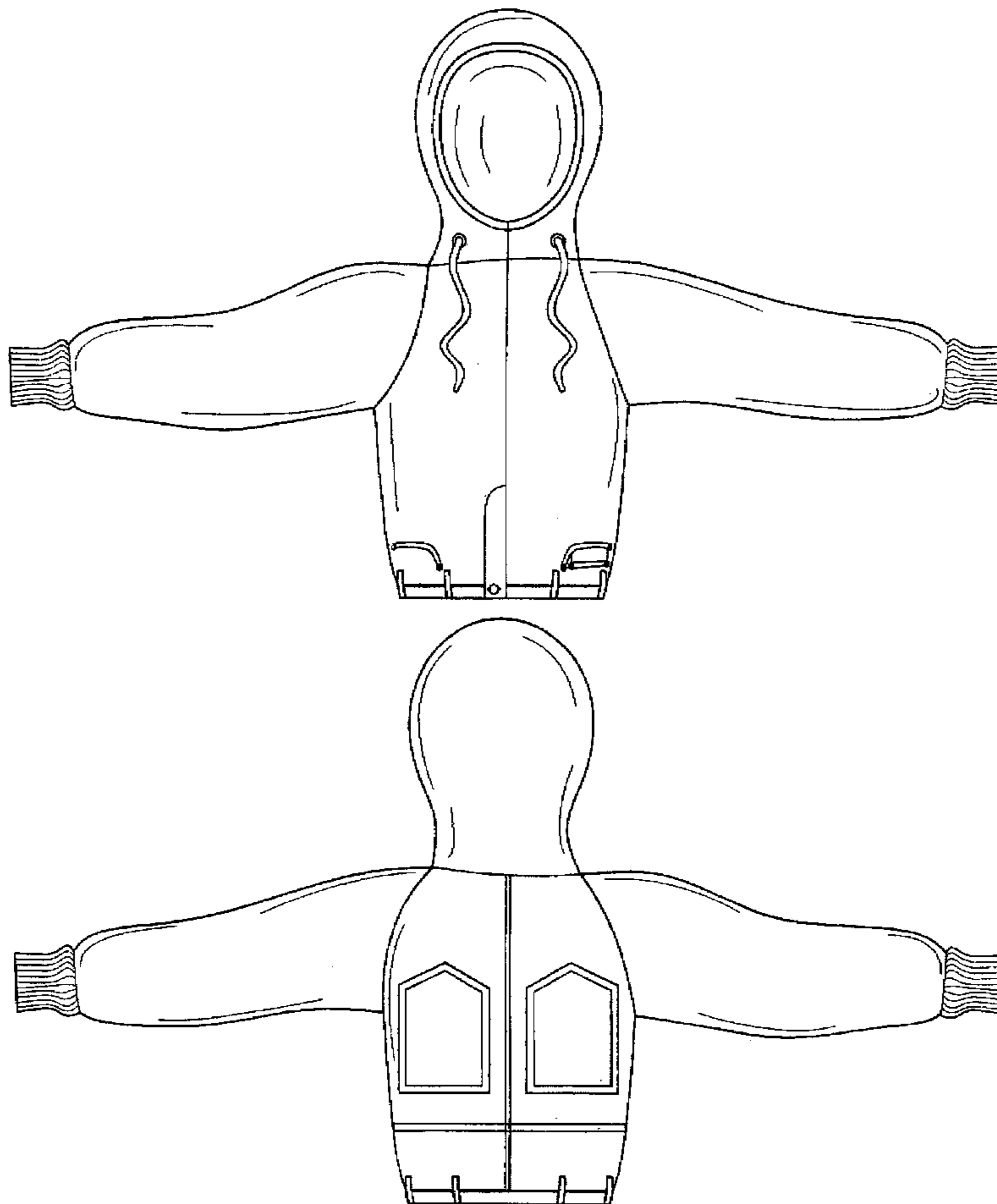
FIG. 3 is a top plan view thereof;

FIG. 4 is a bottom plan view thereof;

FIG. 5 is a left side elevational view thereof; and,

FIG. 6 is a left side elevational view thereof.

**1 Claim, 4 Drawing Sheets**



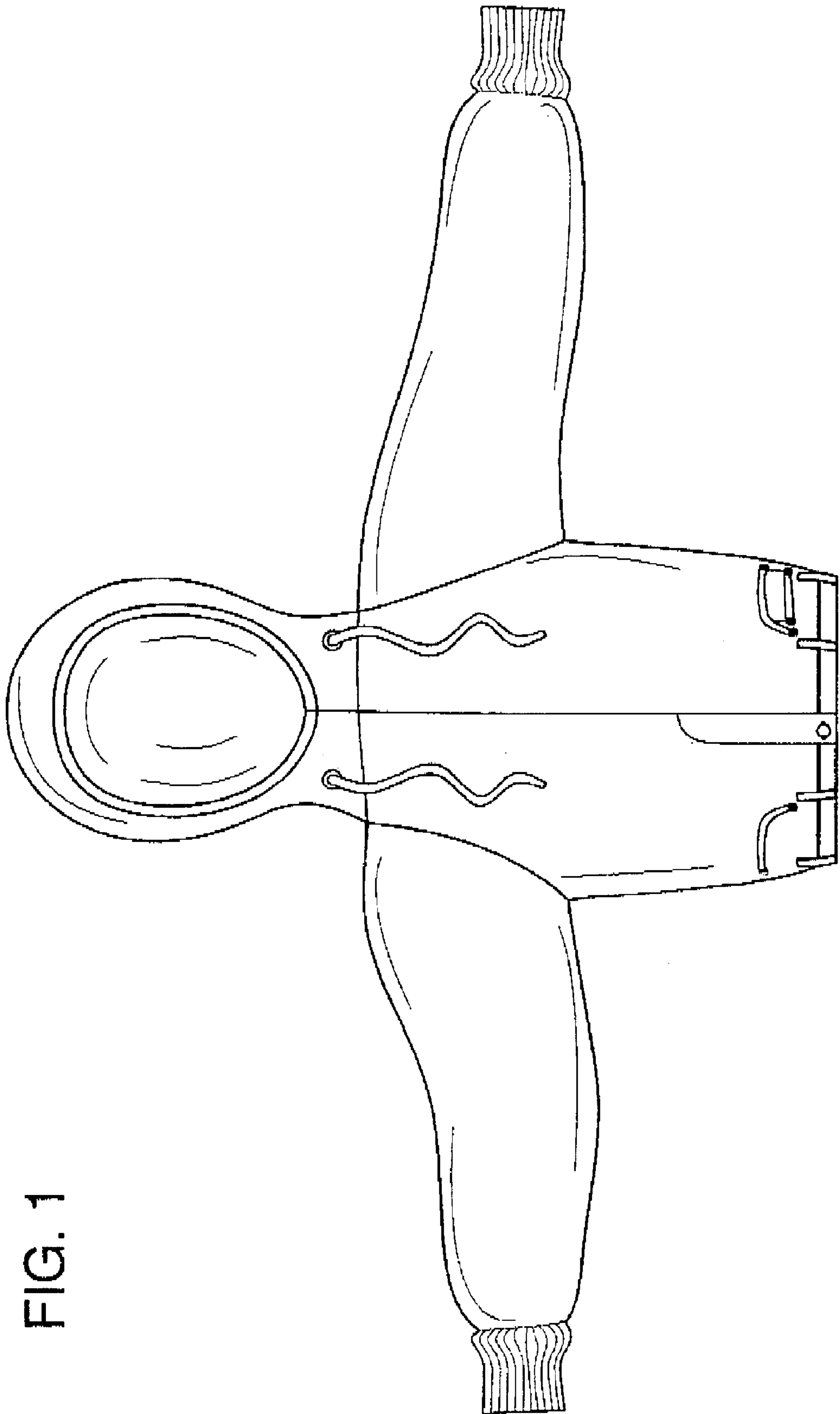
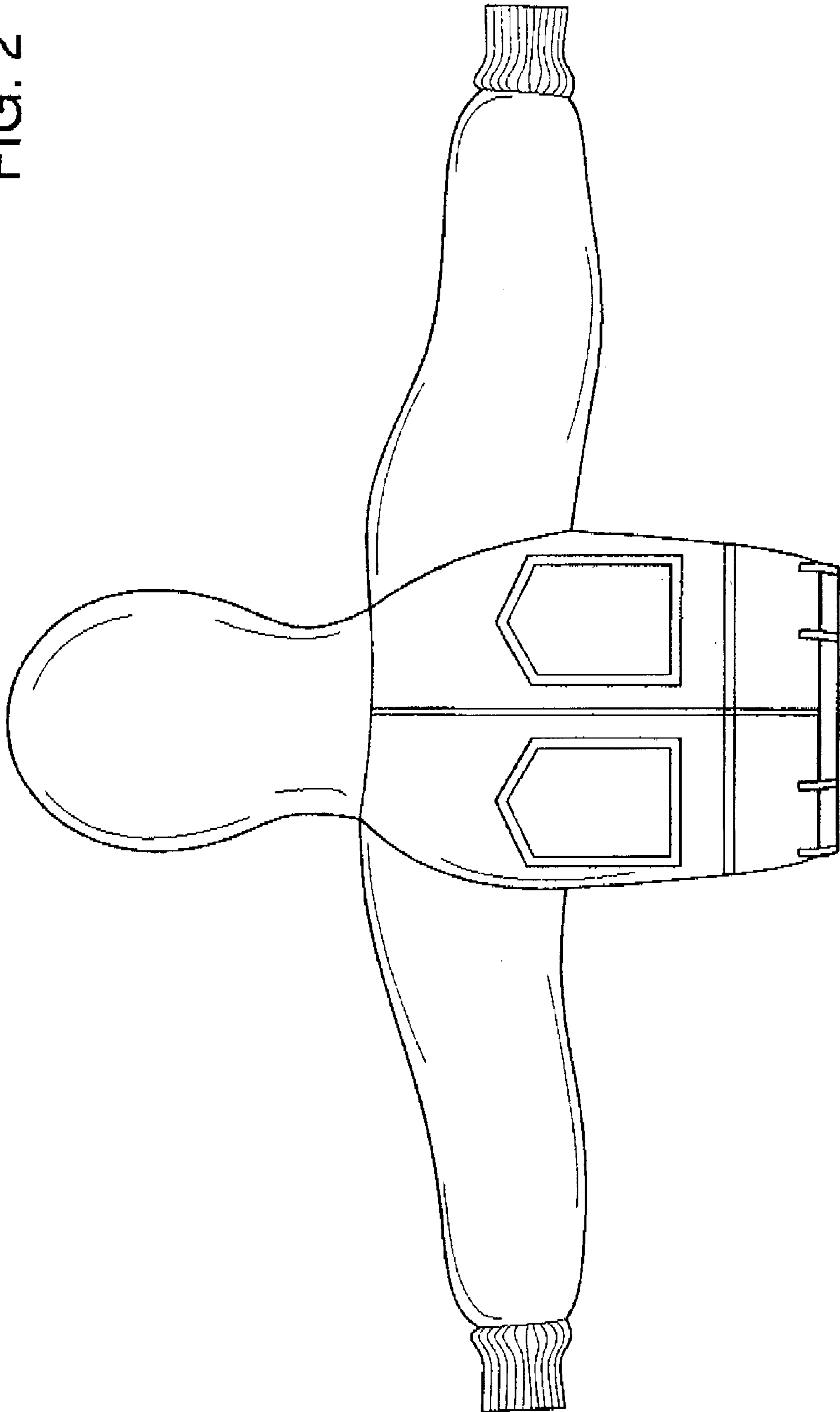


FIG. 1

FIG. 2



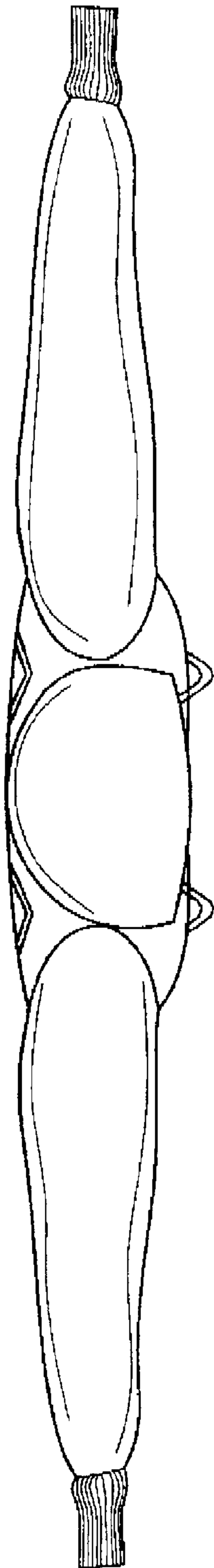


FIG. 3

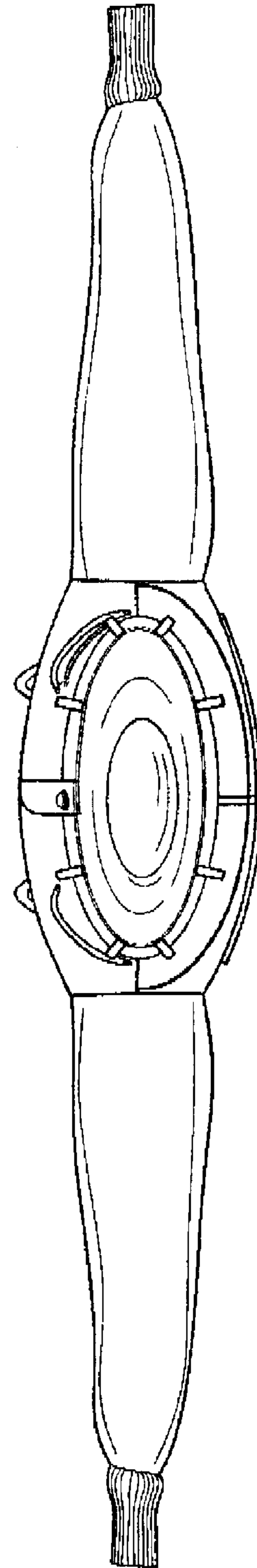


FIG. 4

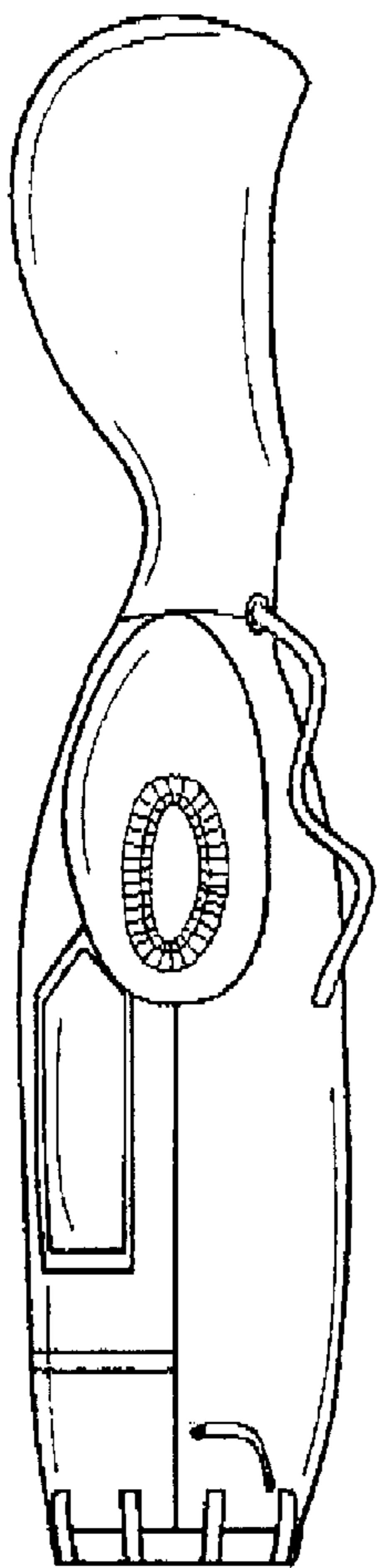


FIG. 5

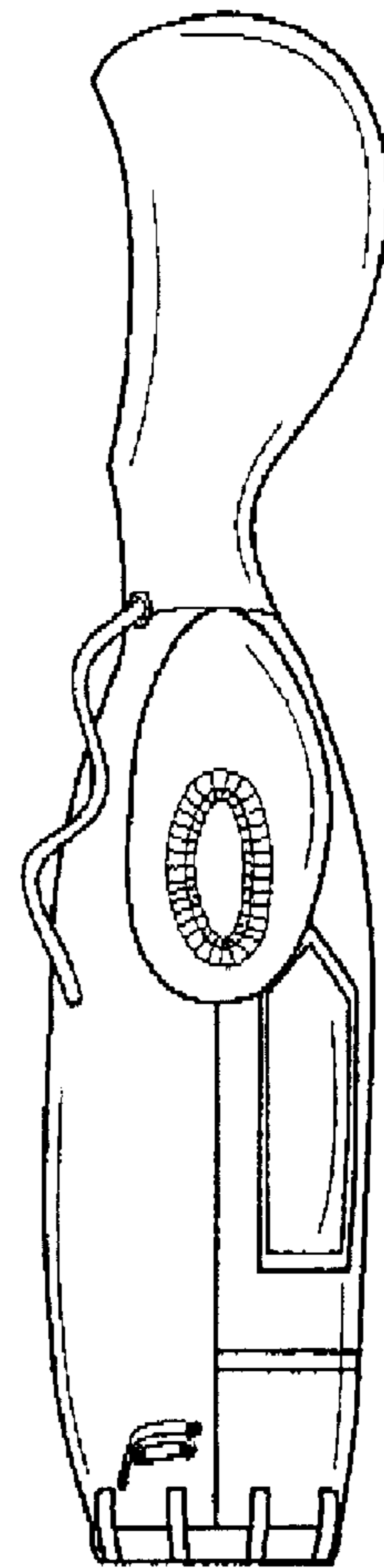


FIG. 6