



US00D538504S

(12) **United States Design Patent**
Pham

(10) **Patent No.:** **US D538,504 S**

(45) **Date of Patent:** **** Mar. 13, 2007**

(54) **PARKING DEVICE FOR PALLET JACKS**

(75) **Inventor:** **Tuan Pham**, PO Box 7848, Torrance, CA (US) 90504

(73) **Assignees:** **Tuan Pham**, Torrance, CA (US); **Stan Cha**, Gardena, CA (US)

(**) **Term:** **14 Years**

(21) **Appl. No.:** **29/226,093**

(22) **Filed:** **Mar. 23, 2005**

(51) **LOC (8) Cl.** **09-09**

(52) **U.S. Cl.** **D34/35; D12/217**

(58) **Field of Classification Search** D34/28,
D34/23, 34, 35; 188/32, 4 R, 36; D12/217,
D12/114, 120; 414/426, 430; 254/88, 7 B;
410/30, 49

See application file for complete search history.

(56) **References Cited**

U.S. PATENT DOCUMENTS

1,448,250 A	3/1923	Au-Miller	
D142,220 S	8/1945	Lyons	
2,730,196 A	* 1/1956	Besoyan	188/4 R
2,777,647 A	* 1/1957	Fullerton et al.	242/561
2,924,427 A	2/1960	Larson	
3,120,292 A	2/1964	Rambat	
3,285,447 A	* 11/1966	Junion	414/469
3,391,760 A	* 7/1968	Gonser	188/32
3,811,536 A	5/1974	Haynes	
3,878,064 A	4/1975	Weissluch et al.	
4,776,548 A	* 10/1988	Bezenek	248/188.2
4,911,270 A	3/1990	Hudson	
5,046,587 A	9/1991	Jones	
D321,498 S	11/1991	Jones	
5,210,903 A	5/1993	Horning	
5,332,066 A	7/1994	Pickeral	
D350,525 S	9/1994	Robinson	
5,383,639 A	1/1995	Byard	
RE34,889 E	4/1995	Fogarty et al.	
D366,443 S	1/1996	Bach et al.	
5,580,022 A	12/1996	Bach et al.	
D385,080 S	10/1997	Schueneman et al.	

D386,462 S	11/1997	McCune et al.	
D387,323 S	12/1997	Wilcox	
D389,796 S	* 1/1998	Olson	D12/217
D401,210 S	11/1998	Chiang	
5,839,863 A	11/1998	Johansson	
5,913,389 A	6/1999	Clark	
D420,277 S	2/2000	Burke et al.	

(Continued)

FOREIGN PATENT DOCUMENTS

FR	2 584 664	1/1987
JP	9-66817	3/1997

Primary Examiner—Cynthia E. Ramirez

(74) *Attorney, Agent, or Firm*—Roland Tong

(57) **CLAIM**

The ornamental design for parking device for pallet jacks, as shown and described.

DESCRIPTION

FIG. 1 is a perspective view of the parking device for pallet jacks of the present invention.

FIG. 2 is another perspective view of the parking device for pallet jacks shown in FIG. 1.

FIG. 3 is a top plan view of the parking device for pallet jacks shown in FIG. 1.

FIG. 4 is a bottom plan view of the parking device for pallet jacks shown in FIG. 1.

FIG. 5 is a left side view of the parking device for pallet jacks shown in FIG. 1.

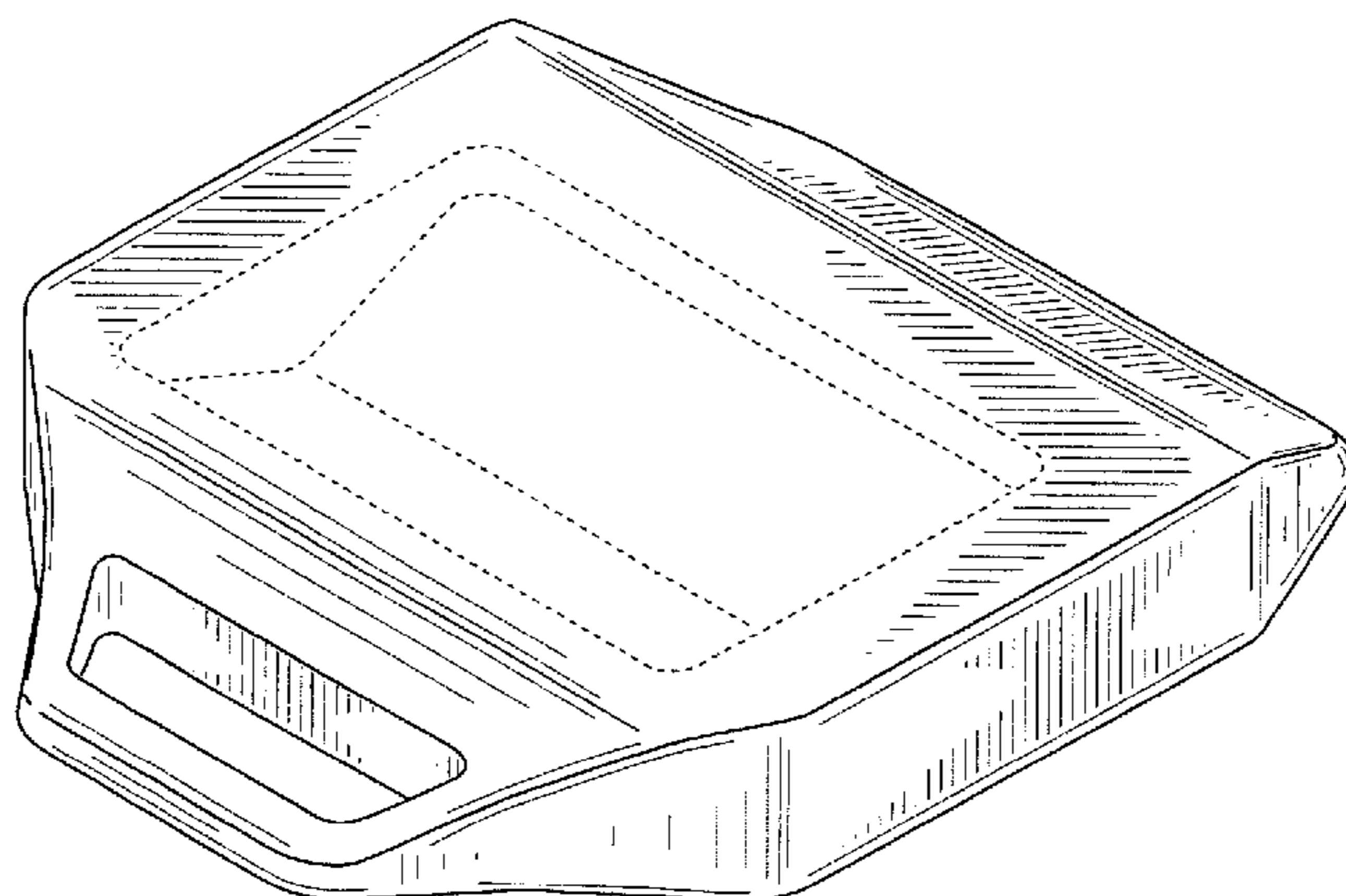
FIG. 6 is a right side view of the parking device for pallet jacks shown in FIG. 1.

FIG. 7 is a front view of the parking device for pallet jacks shown in FIG. 1; and,

FIG. 8 is a rear view of the parking device for pallet jacks shown in FIG. 1.

Broken lines illustrate features or environmental components that are not part of the design sought to be patented.

1 Claim, 4 Drawing Sheets



US D538,504 S

Page 2

U.S. PATENT DOCUMENTS

D432,976 S	10/2000	Chiang	RE38,076 E	4/2003	Brennan, Jr. et al.
D433,660 S	11/2000	Hough	D478,226 S	8/2003	Peyker
D439,720 S	3/2001	Lemon et al.	6,648,103 B2	11/2003	Scheffer
D444,441 S	7/2001	Bennett, Jr.	D489,310 S	5/2004	Olson et al.
6,349,656 B1	2/2002	Mitchell	6,742,752 B1	6/2004	Fenyves
6,386,331 B2	5/2002	Scheffer	D520,708 S *	5/2006	Allen D34/28
6,418,691 B1	7/2002	Stroppiana	2001/0050034 A1	12/2001	Gross
6,520,344 B2	2/2003	Graham			

* cited by examiner

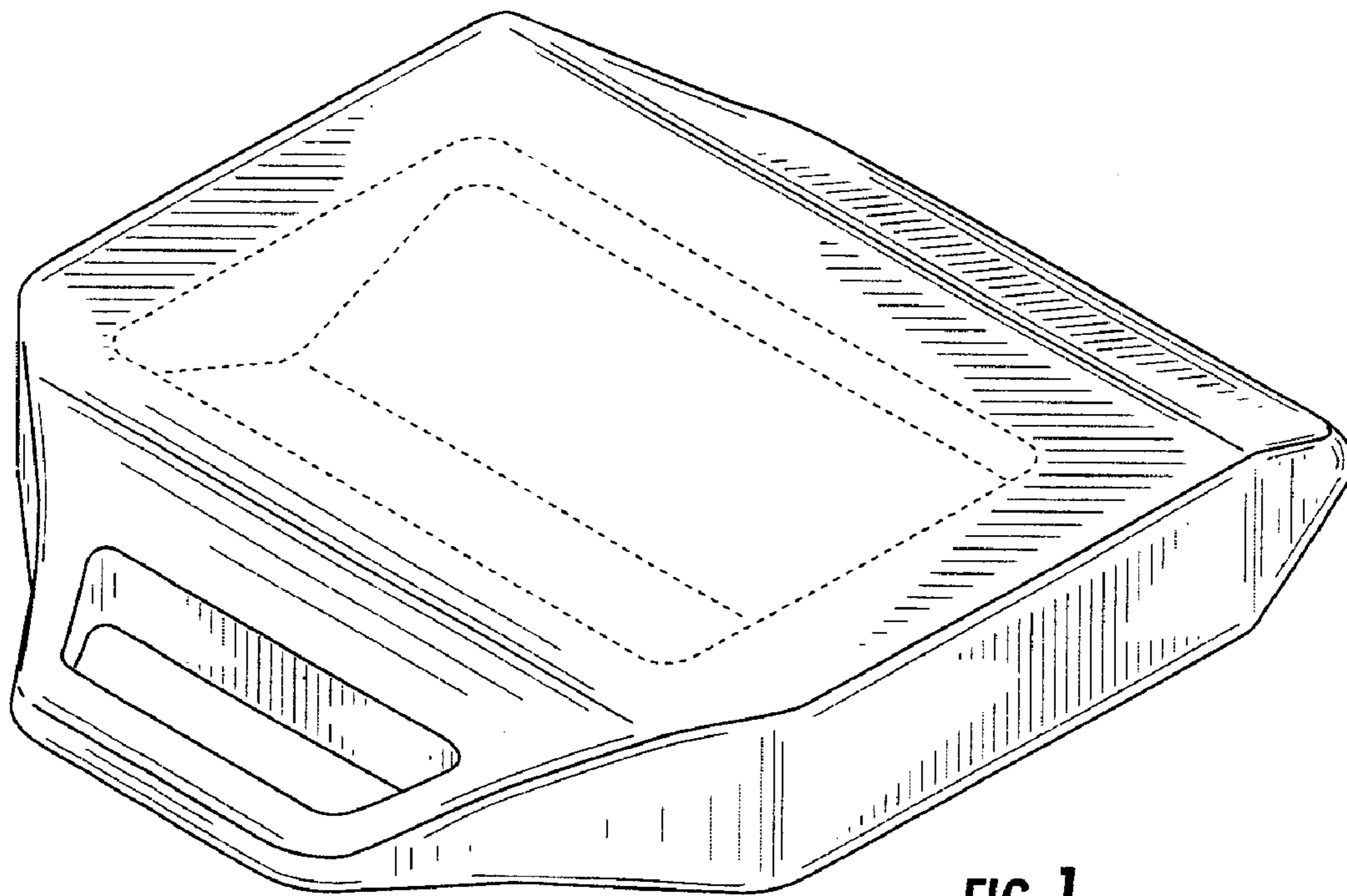


FIG. 1

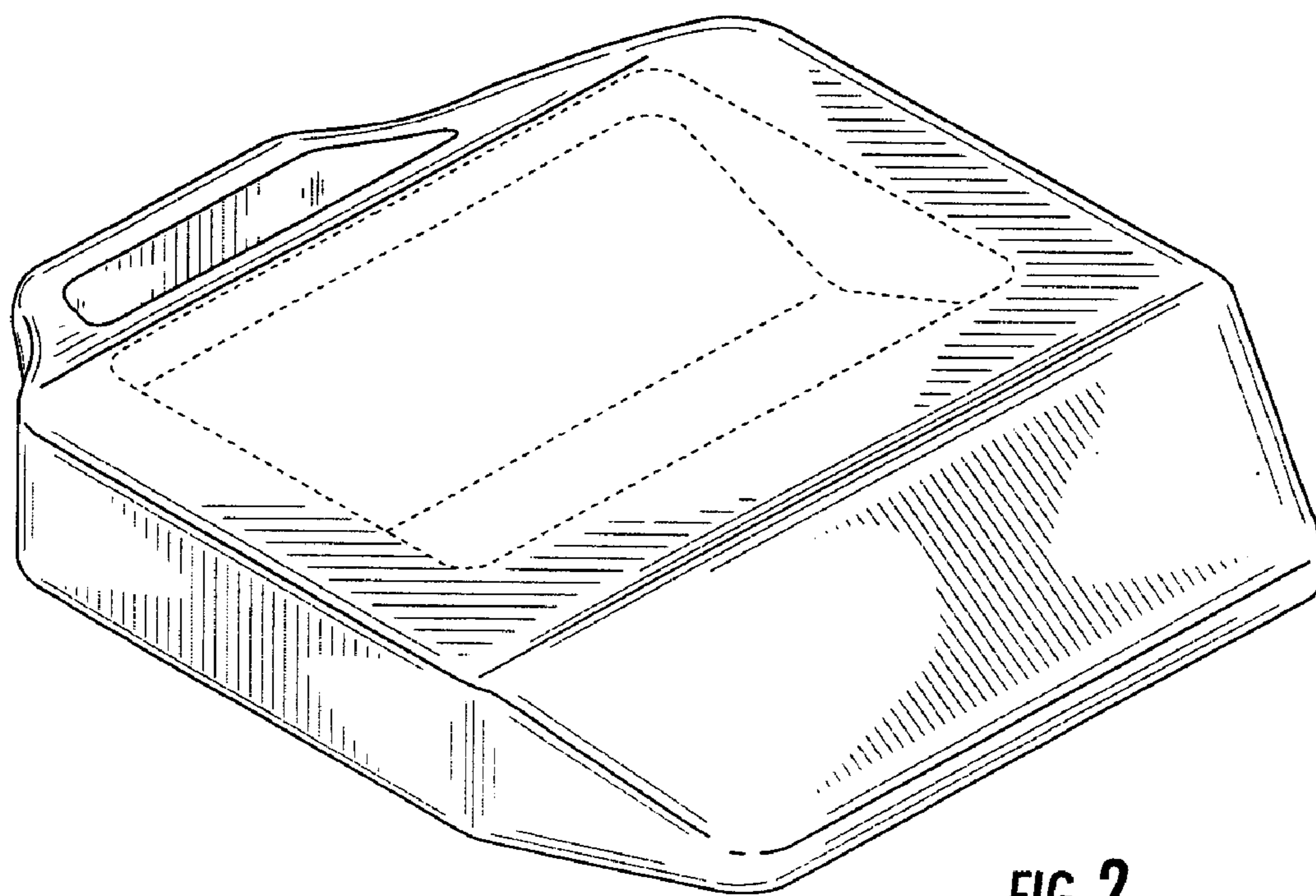
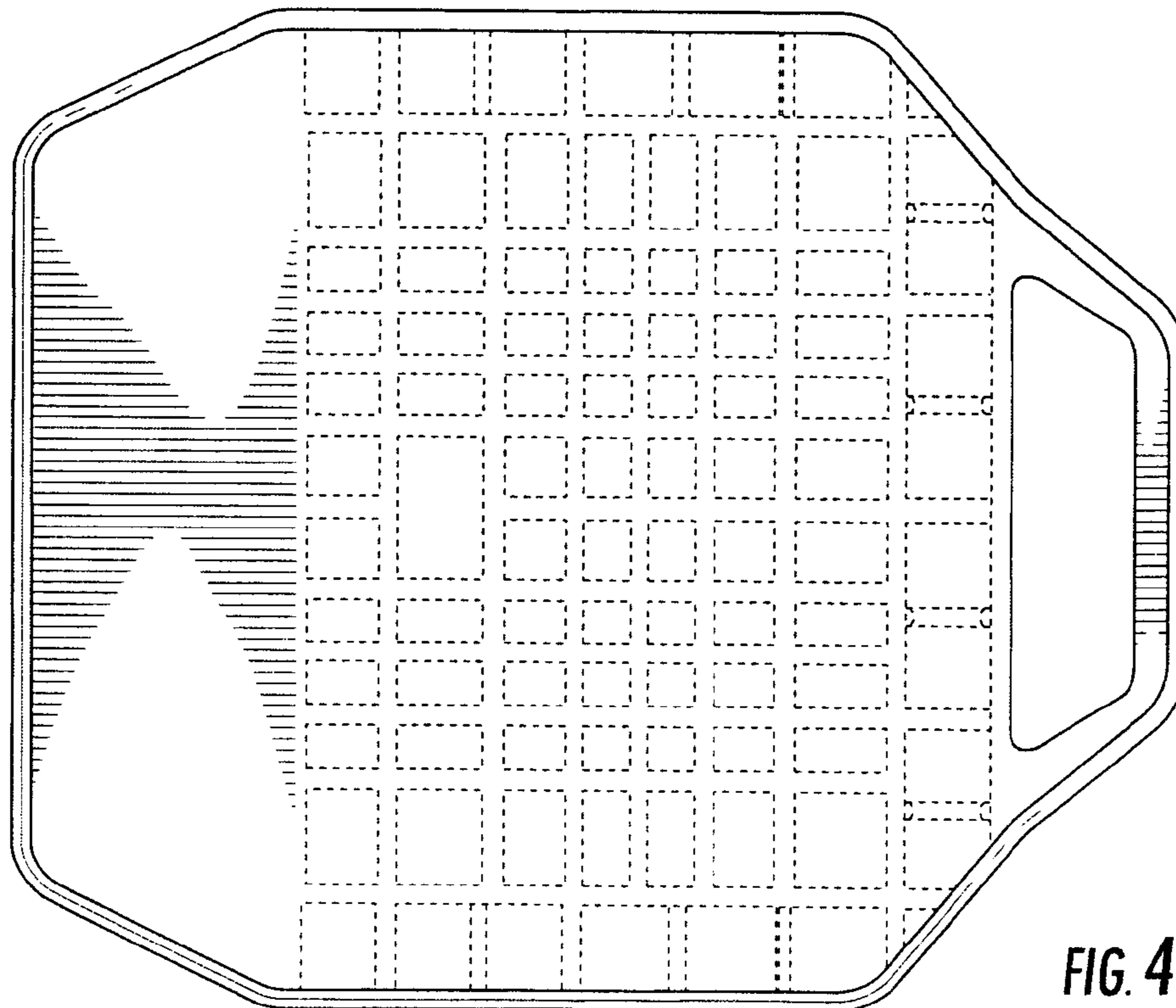
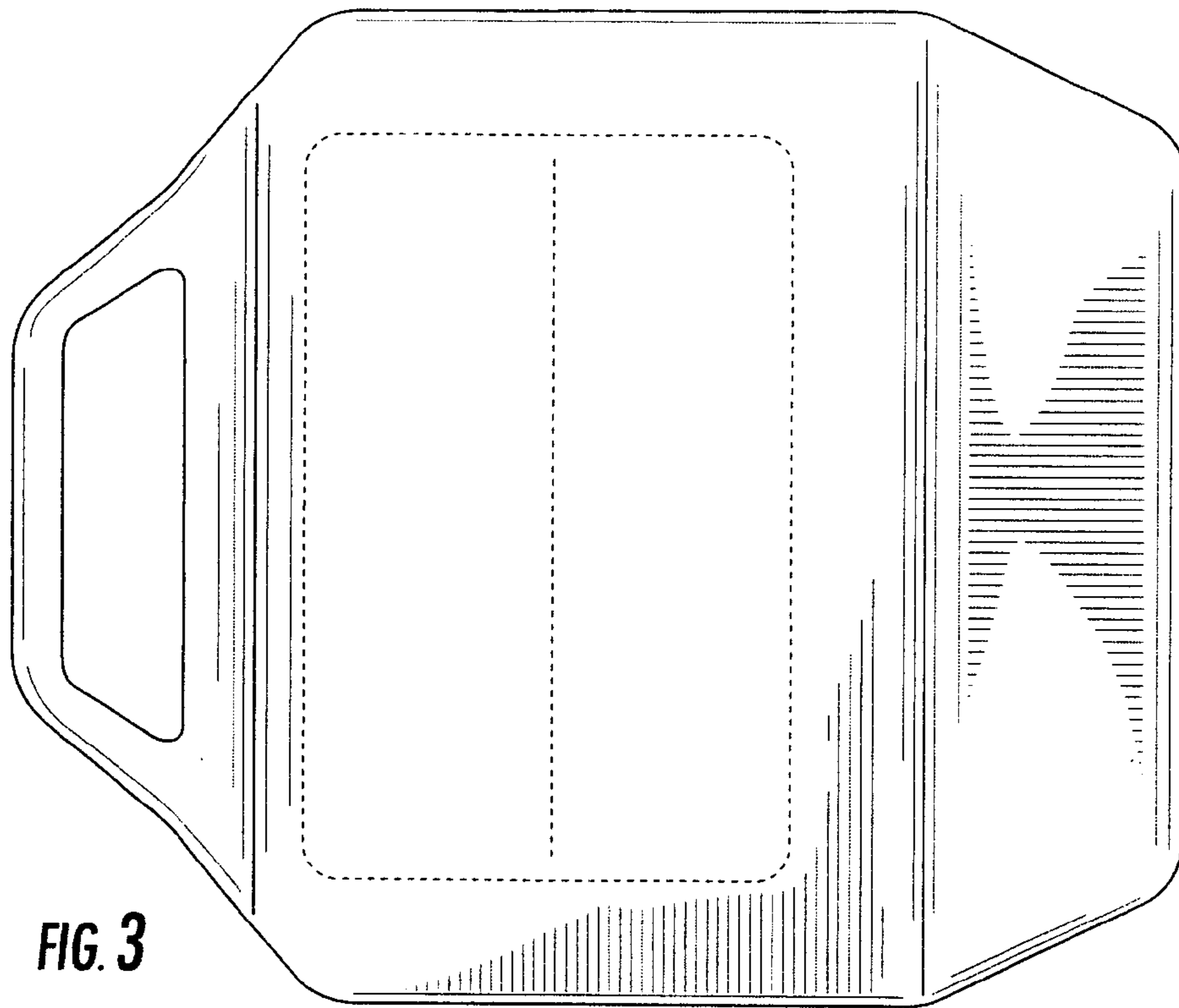


FIG. 2



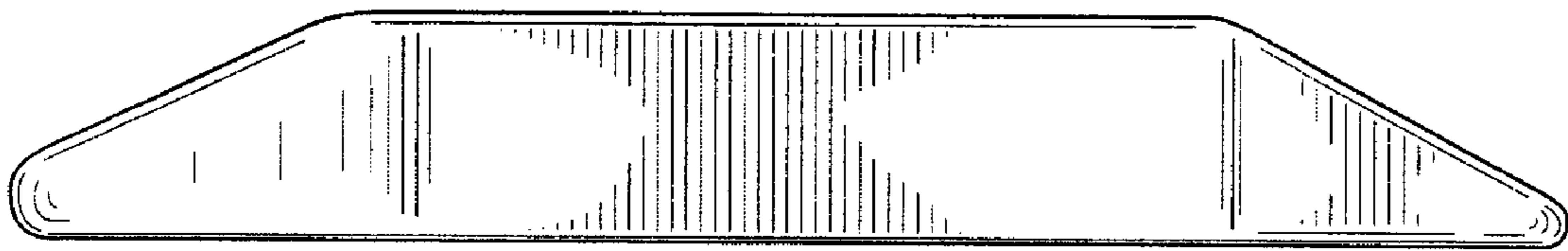


FIG. 5

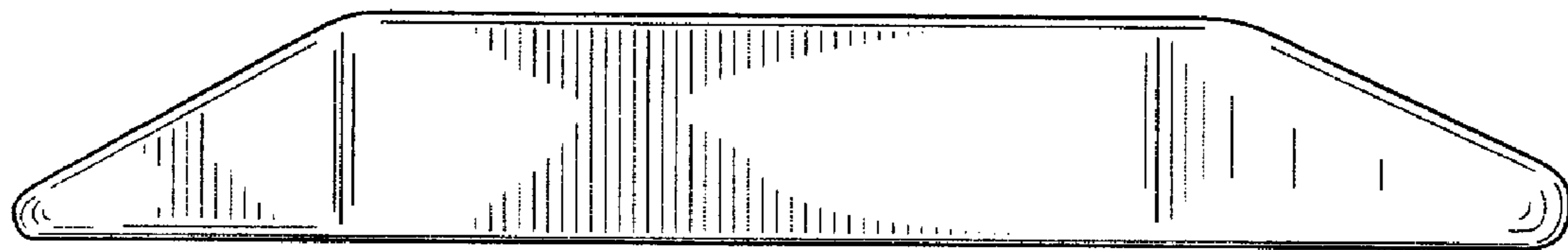


FIG. 6

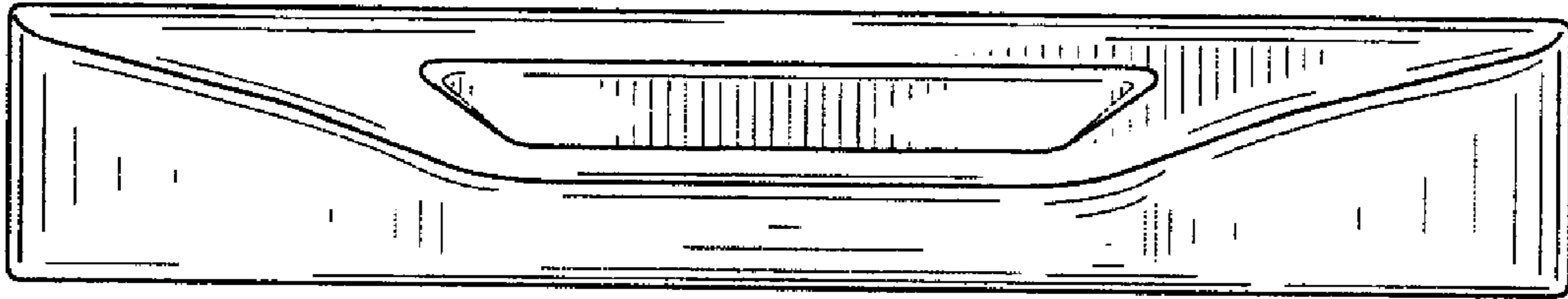


FIG. 7

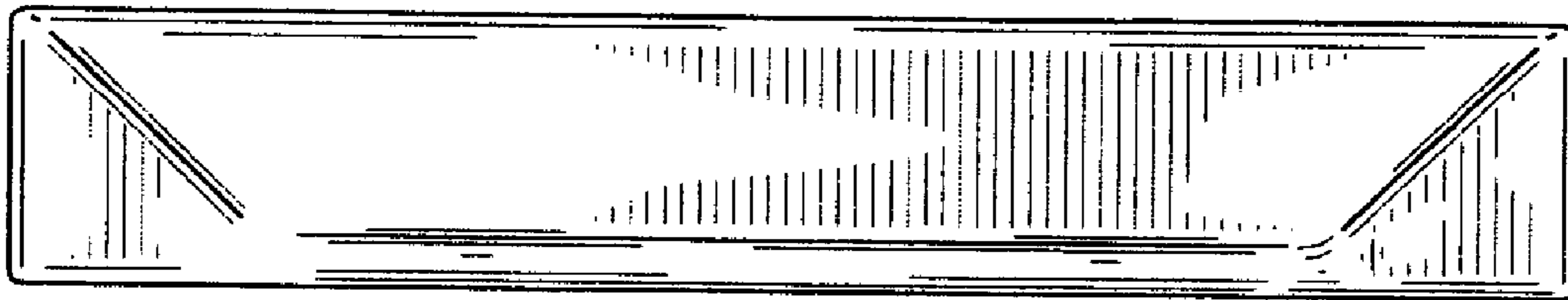


FIG. 8