



US00D538502S

(12) **United States Design Patent**
Hernandez

(10) **Patent No.:** **US D538,502 S**

(45) **Date of Patent:** **** Mar. 13, 2007**

(54) **LOW PROFILE AUTOMOBILE JACK**

(75) Inventor: **Hector Ray Hernandez**, Fullerton, CA
(US)

(73) Assignee: **Alltrade Tools LLC**, Long Beach, CA
(US)

(**) Term: **14 Years**

(21) Appl. No.: **29/241,963**

(22) Filed: **Nov. 2, 2005**

(51) **LOC (8) Cl.** **12-05**

(52) **U.S. Cl.** **D34/31**

(58) **Field of Classification Search** D34/31,
D34/28; 254/8 B, 9 B, 84, 11, 93 H, 2 B,
254/88, DIG. 3

See application file for complete search history.

(56) **References Cited**

U.S. PATENT DOCUMENTS

4,251,056 A * 2/1981 Maniglia 254/8 B
D442,345 S * 5/2001 Lee et al. D34/31

D444,606 S * 7/2001 Hsu D34/31
D452,597 S * 12/2001 Hung D34/31
D453,983 S * 2/2002 Lin D34/31
D482,838 S * 11/2003 Tsai D34/31
6,848,673 B1 * 2/2005 McLaughlin et al. 254/8 B
D519,705 S * 4/2006 Kong et al. D34/31
7,036,797 B2 * 5/2006 Liu 254/8 B

* cited by examiner

Primary Examiner—Cynthia E. Ramirez

(74) *Attorney, Agent, or Firm*—Fulwider Patton LLP

(57) **CLAIM**

The ornamental design for a low profile automobile jack, as shown and described.

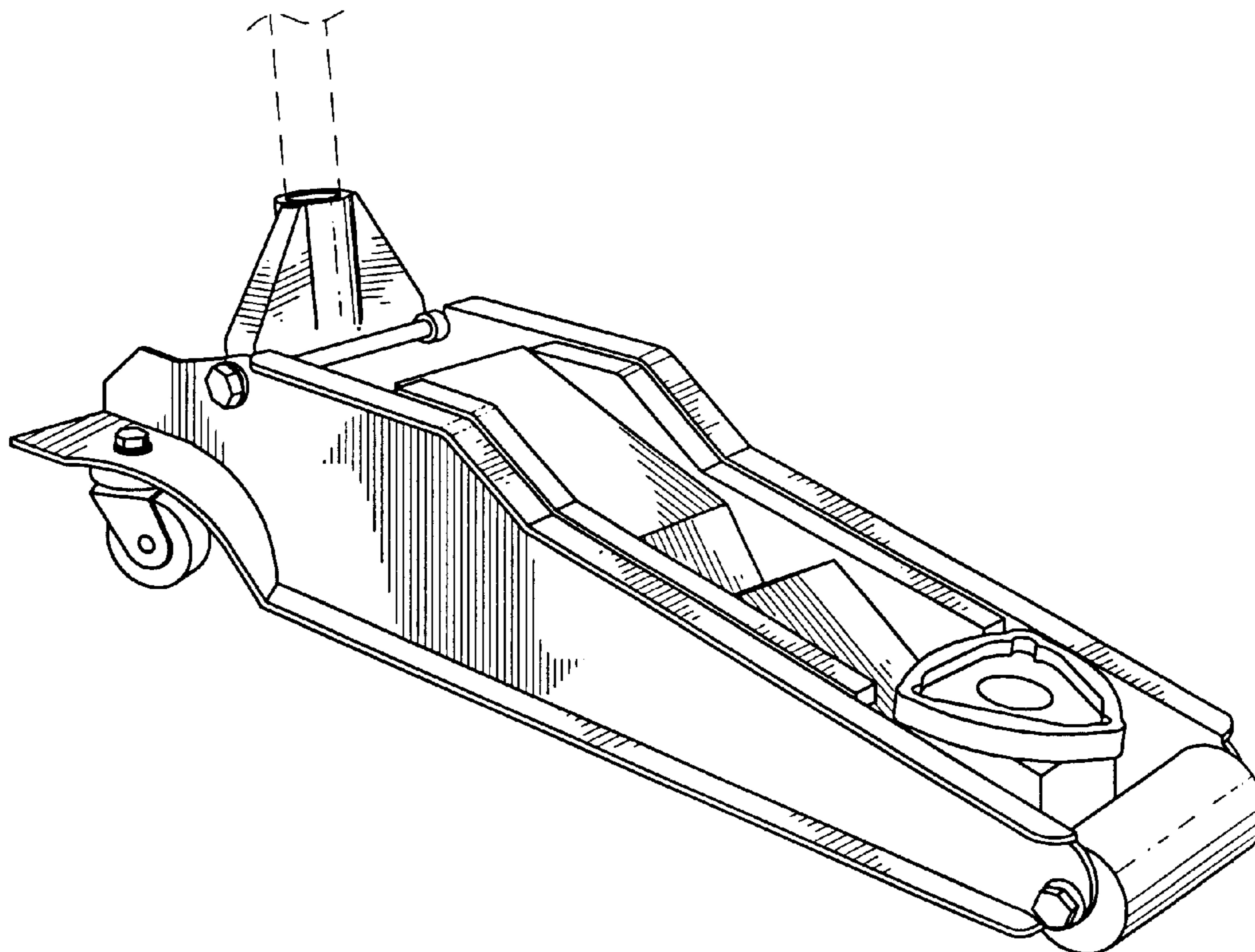
DESCRIPTION

FIG. 1 is a perspective view from the front of the low profile automobile jack;

FIG. 2 is a perspective view from the rear of the low profile automobile jack; and,

FIG. 3 is a side view of the low profile automobile jack.

1 Claim, 2 Drawing Sheets



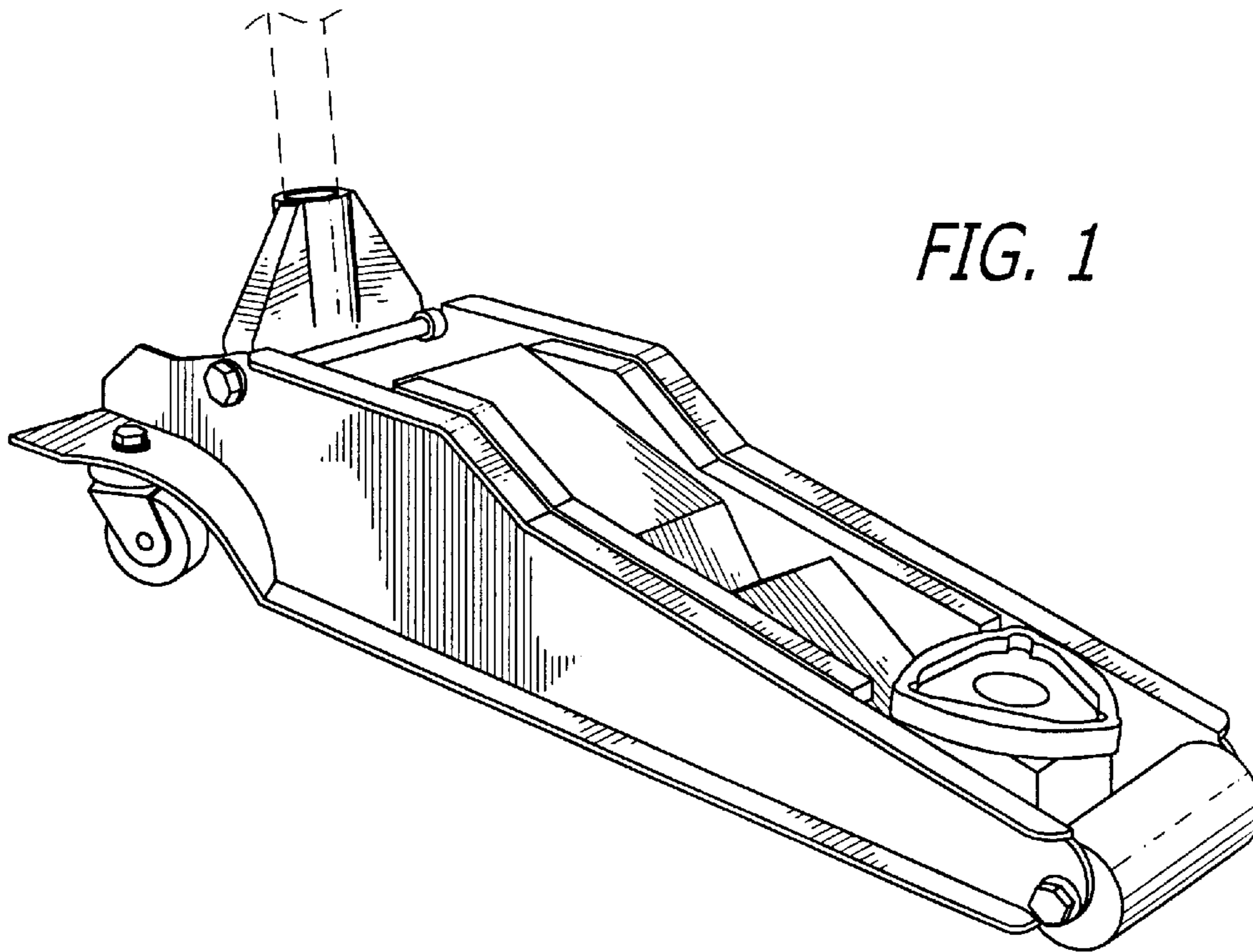


FIG. 1

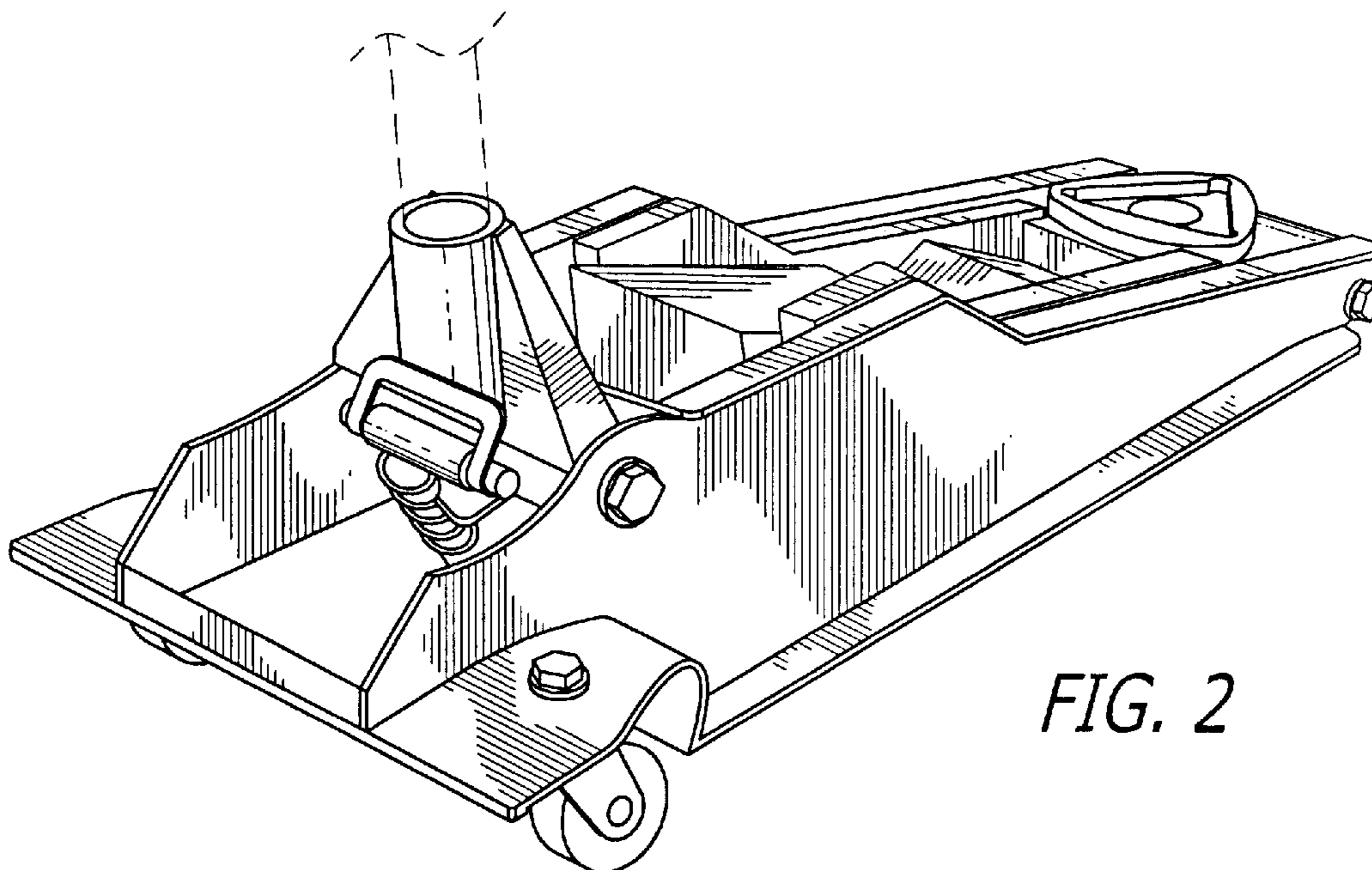


FIG. 2

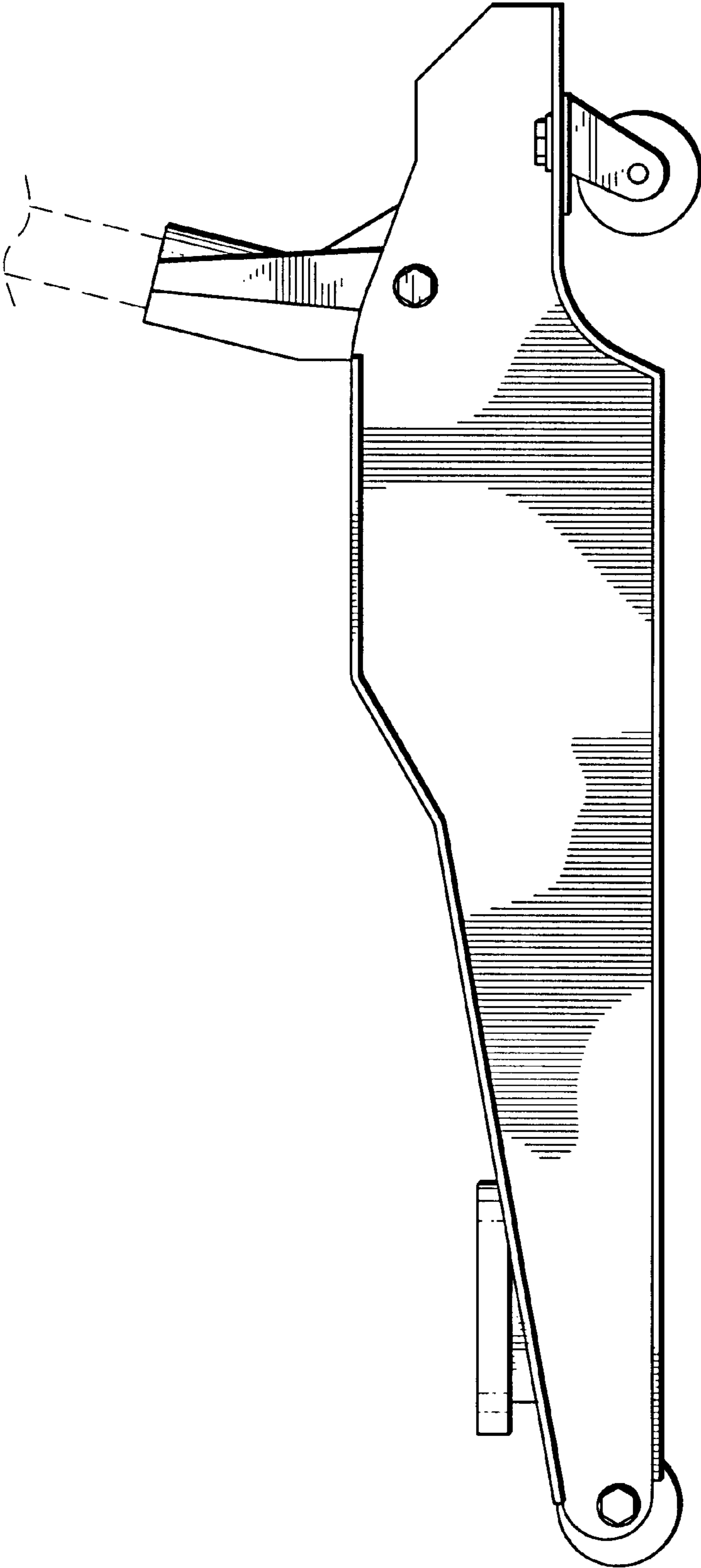


FIG. 3