



US00D538499S

(12) **United States Design Patent**
Schmidt

(10) **Patent No.:** **US D538,499 S**
(45) **Date of Patent:** **** Mar. 13, 2007**

- (54) **PIN BANK**
- (75) Inventor: **G. Gerry Schmidt**, Newport Beach, CA (US)
- (73) Assignee: **Pacific Handy Cutter, Inc.**, Costa Mesa, CA (US)
- (**) Term: **14 Years**
- (21) Appl. No.: **29/241,900**
- (22) Filed: **Nov. 2, 2005**
- (51) **LOC (8) Cl.** **09-09**
- (52) **U.S. Cl.** **D34/1; D24/131**
- (58) **Field of Classification Search** D34/1, D34/5, 6, 7, 8, 9, 10, 11; D24/131, 231; 206/366, 206/481, 370; 220/476, 477, 479, 480
See application file for complete search history.

- D307,841 S 5/1990 Hanifl et al.
- 4,955,477 A 9/1990 Bruno
- 5,058,764 A * 10/1991 Gaba 220/481
- 5,076,429 A 12/1991 Patrick et al.
- 5,092,487 A * 3/1992 Richer et al. 220/482
- 5,103,997 A 4/1992 Shillington et al.
- 5,154,345 A 10/1992 Shillington
- 5,170,903 A * 12/1992 Fleming 220/87.2
- 5,178,322 A 1/1993 Shillington
- 5,395,008 A 3/1995 Bemis et al.
- 5,413,243 A 5/1995 Bemis et al.
- 5,419,435 A 5/1995 Perzan et al.
- 5,848,692 A 12/1998 Thorne et al.
- D451,255 S * 11/2001 Schmidt D34/1
- D478,663 S * 8/2003 Moats et al. D24/131
- D520,703 S * 5/2006 Nordgren et al. D34/1

FOREIGN PATENT DOCUMENTS

GB 2087360 A 5/1982

* cited by examiner

Primary Examiner—Cynthia E. Ramirez
(74) *Attorney, Agent, or Firm*—Henricks, Slavin & Holmes LLP

(56) **References Cited**
U.S. PATENT DOCUMENTS

- D264,879 S 6/1982 Baker
- 4,453,648 A 6/1984 Harris et al.
- 4,466,538 A 8/1984 Gianni
- 4,484,692 A * 11/1984 Palermo et al. 220/3.8
- 4,552,280 A 11/1985 Owen et al.
- 4,576,281 A 3/1986 Kirksey
- 4,580,688 A 4/1986 Harris et al.
- D287,756 S 1/1987 Szablak et al.
- 4,679,700 A 7/1987 Tharrington et al.
- 4,702,385 A 10/1987 Shillington et al.
- 4,714,168 A 12/1987 Johnson et al.
- 4,715,498 A 12/1987 Hanifl
- 4,736,860 A 4/1988 Bemis
- 4,779,728 A 10/1988 Hanifl et al.
- 4,809,850 A 3/1989 Laible et al.
- 4,826,073 A 5/1989 Bruno
- 4,828,107 A 5/1989 Spencer
- 4,842,138 A 6/1989 Sandel et al.
- 4,869,366 A 9/1989 Bruno
- D304,109 S 10/1989 Hanifl
- 4,874,103 A 10/1989 Quisenberry et al.

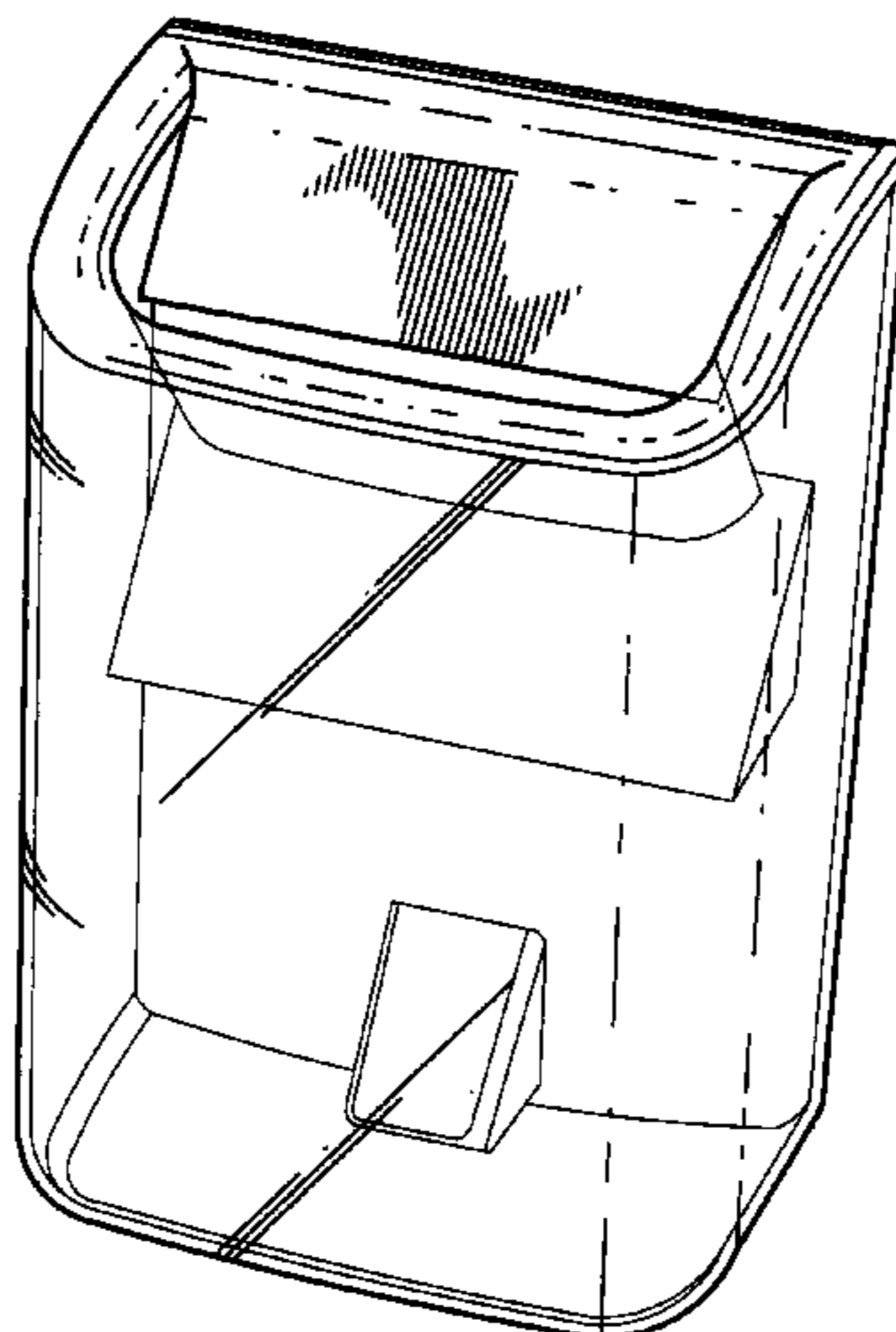
(57) **CLAIM**

The ornamental design for a pin bank, as shown and described.

DESCRIPTION

FIG. 1 is a front, top and right side perspective view of a pin bank showing my new design;
FIG. 2 is a rear, bottom and left side perspective view thereof;
FIG. 3 is a top plan view thereof;
FIG. 4 is a front elevational view thereof;
FIG. 5 is a right side elevational view thereof, with the left side elevational view being a mirror image of FIG. 5; and,
FIG. 6 is a bottom plan view thereof.
The broken line portions of the disclosure are for illustrative purposes only and form no part of the claimed design.

1 Claim, 2 Drawing Sheets



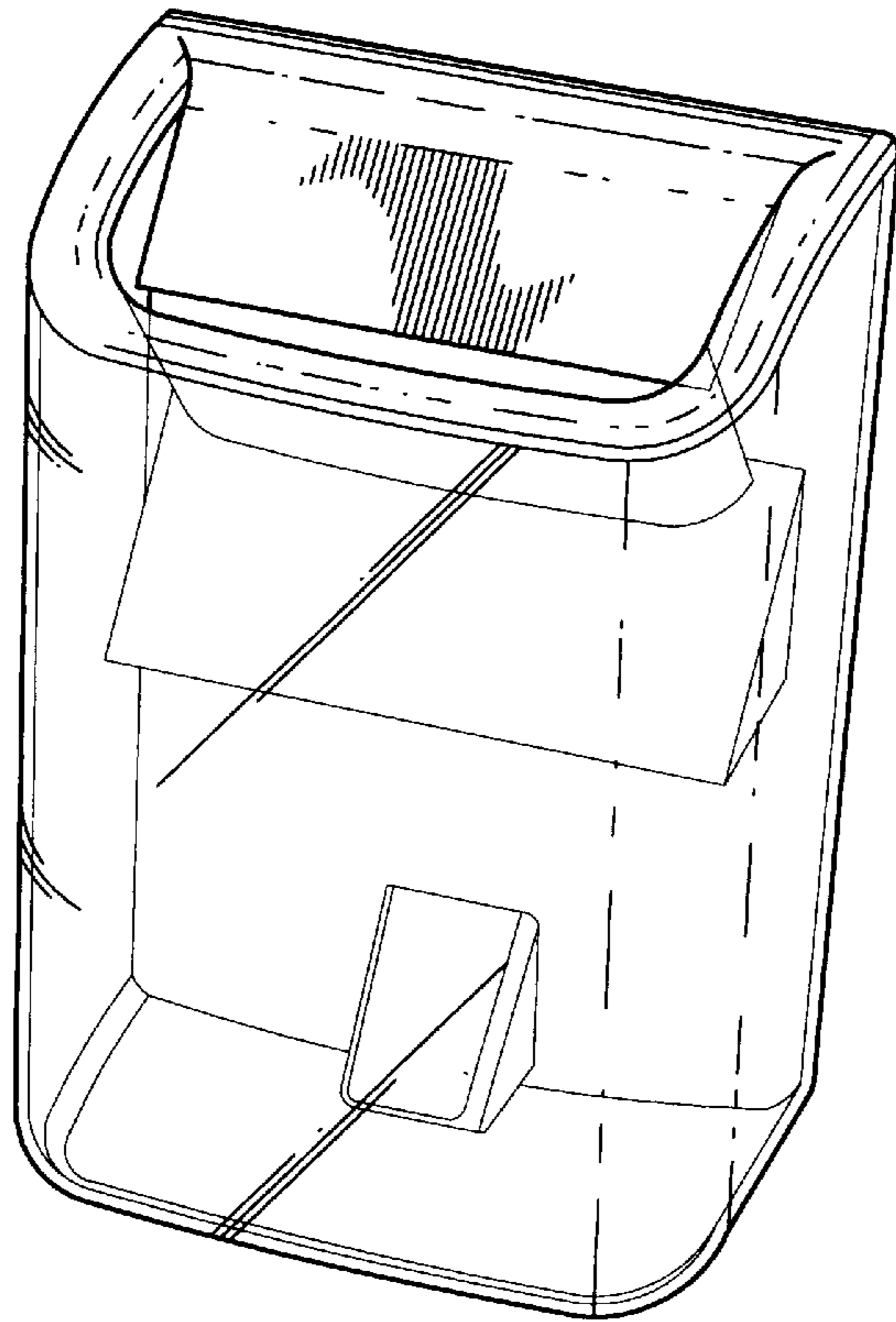


FIG. 1

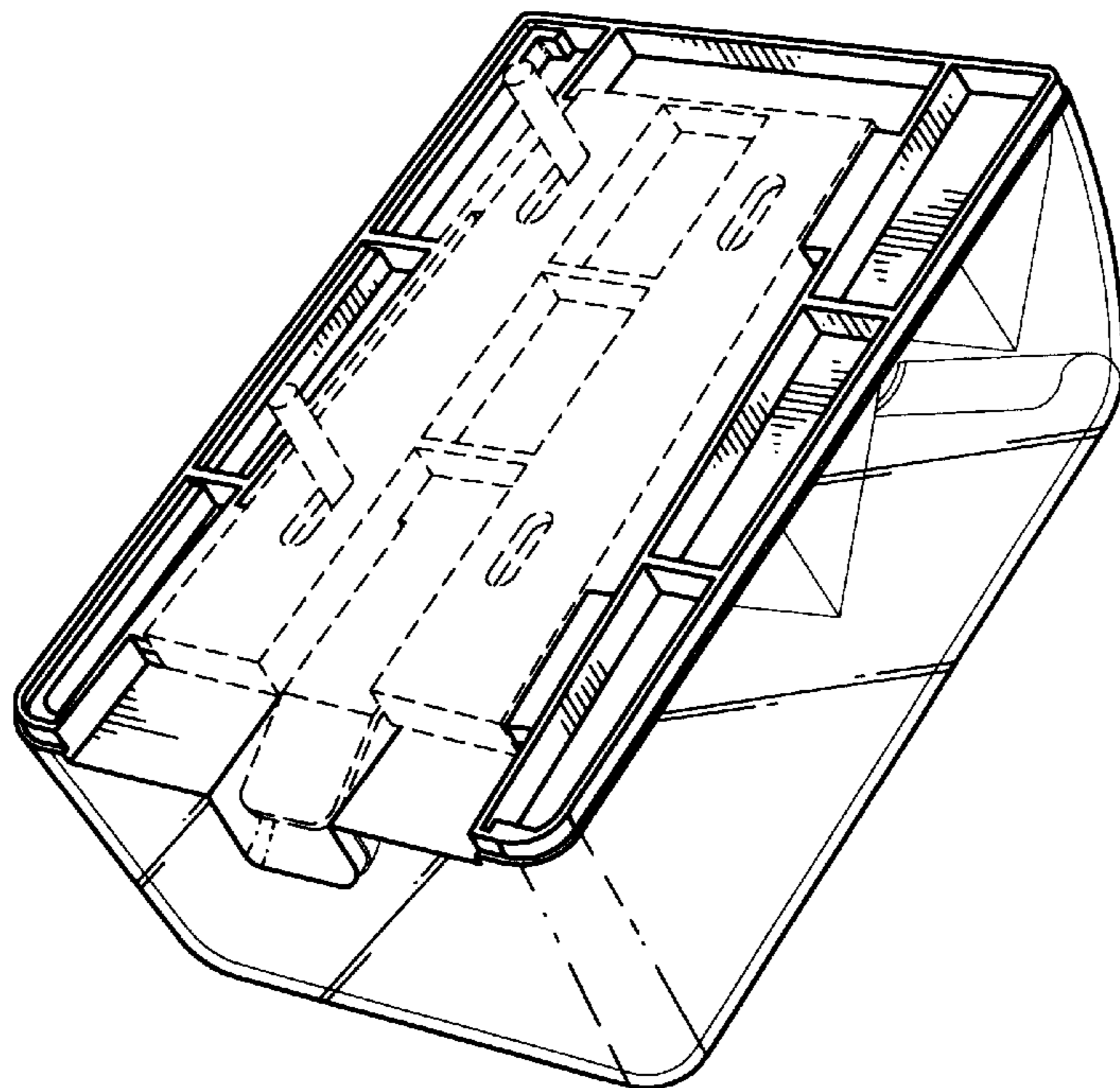


FIG. 2

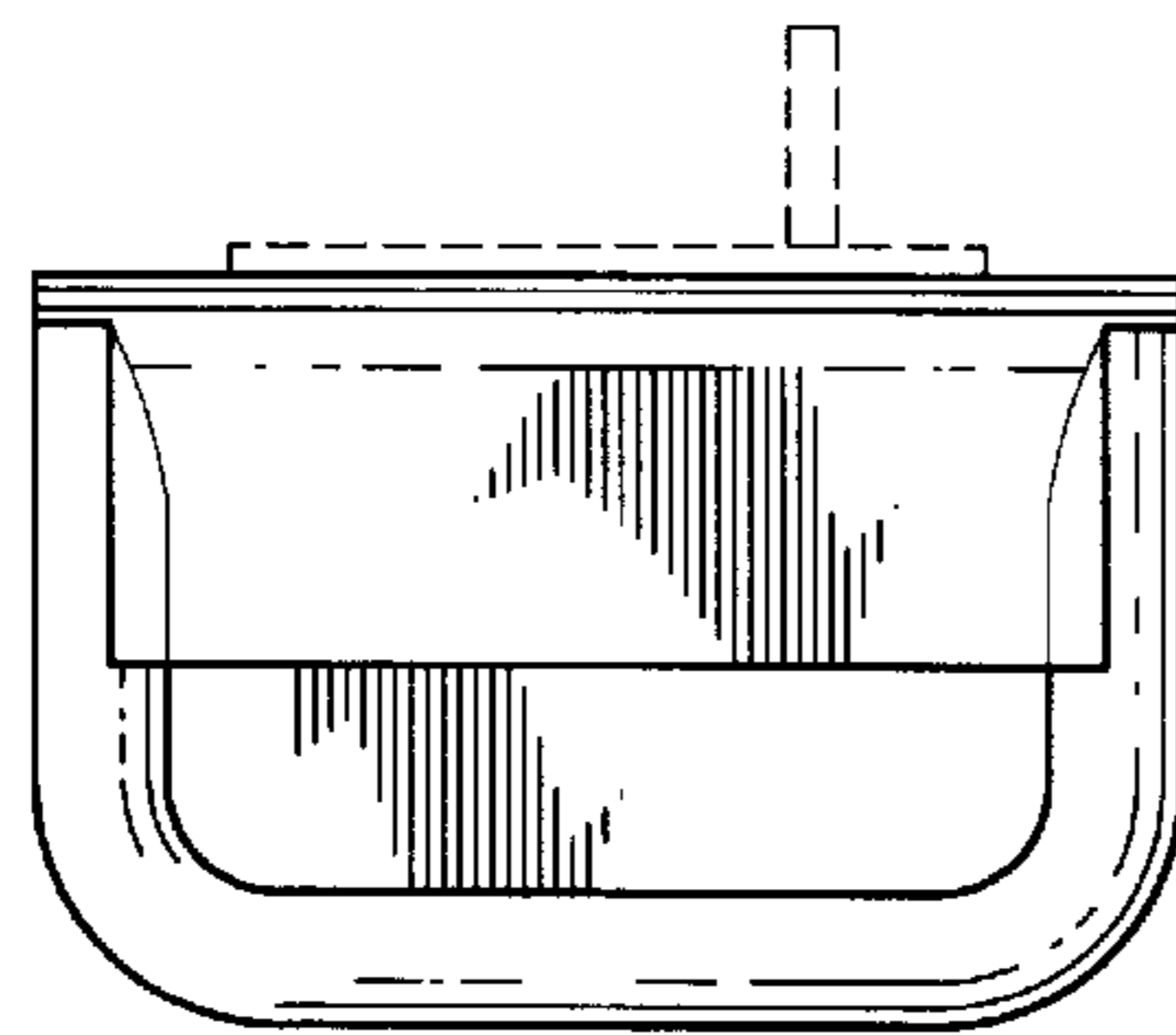


FIG. 3

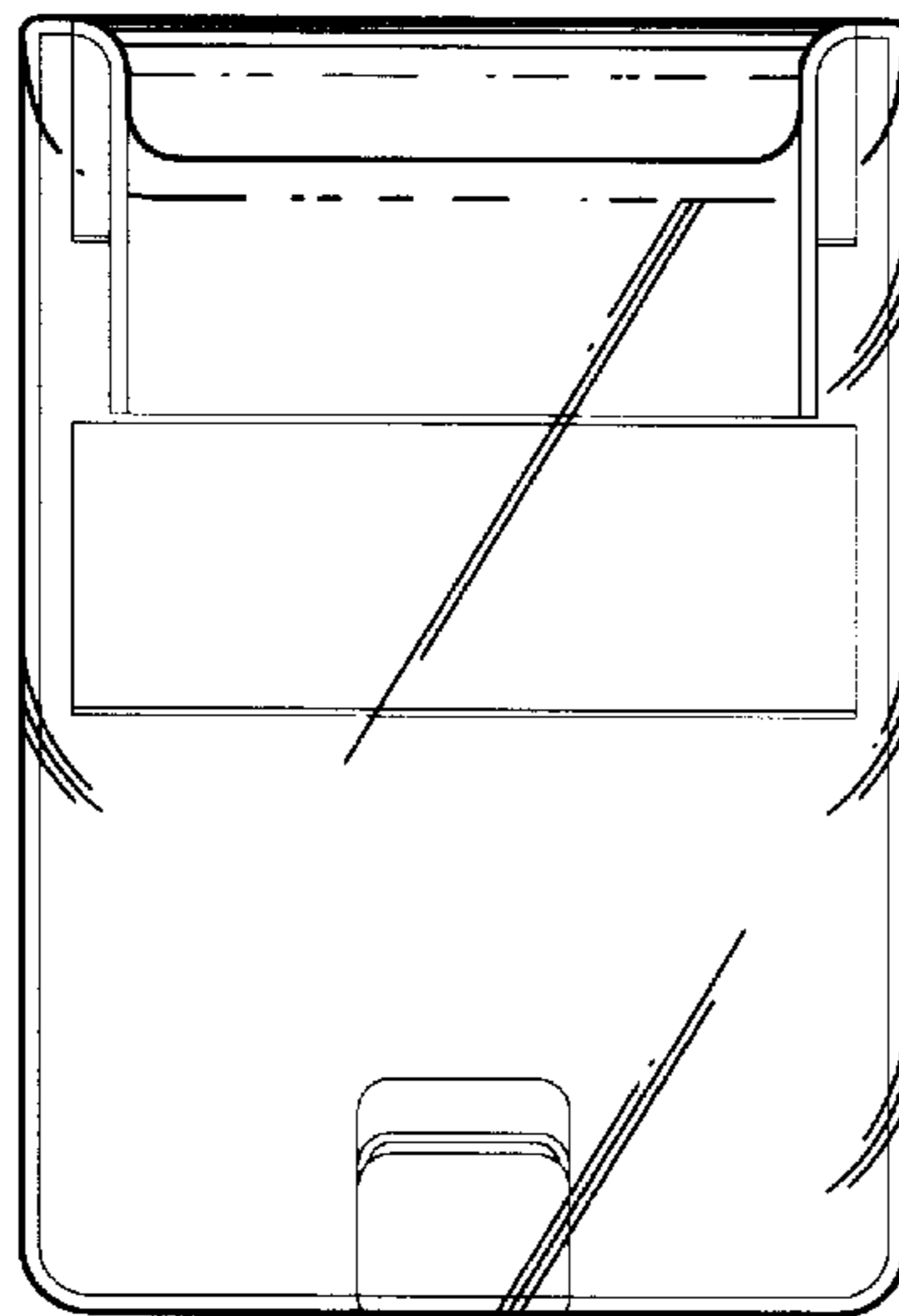


FIG. 4

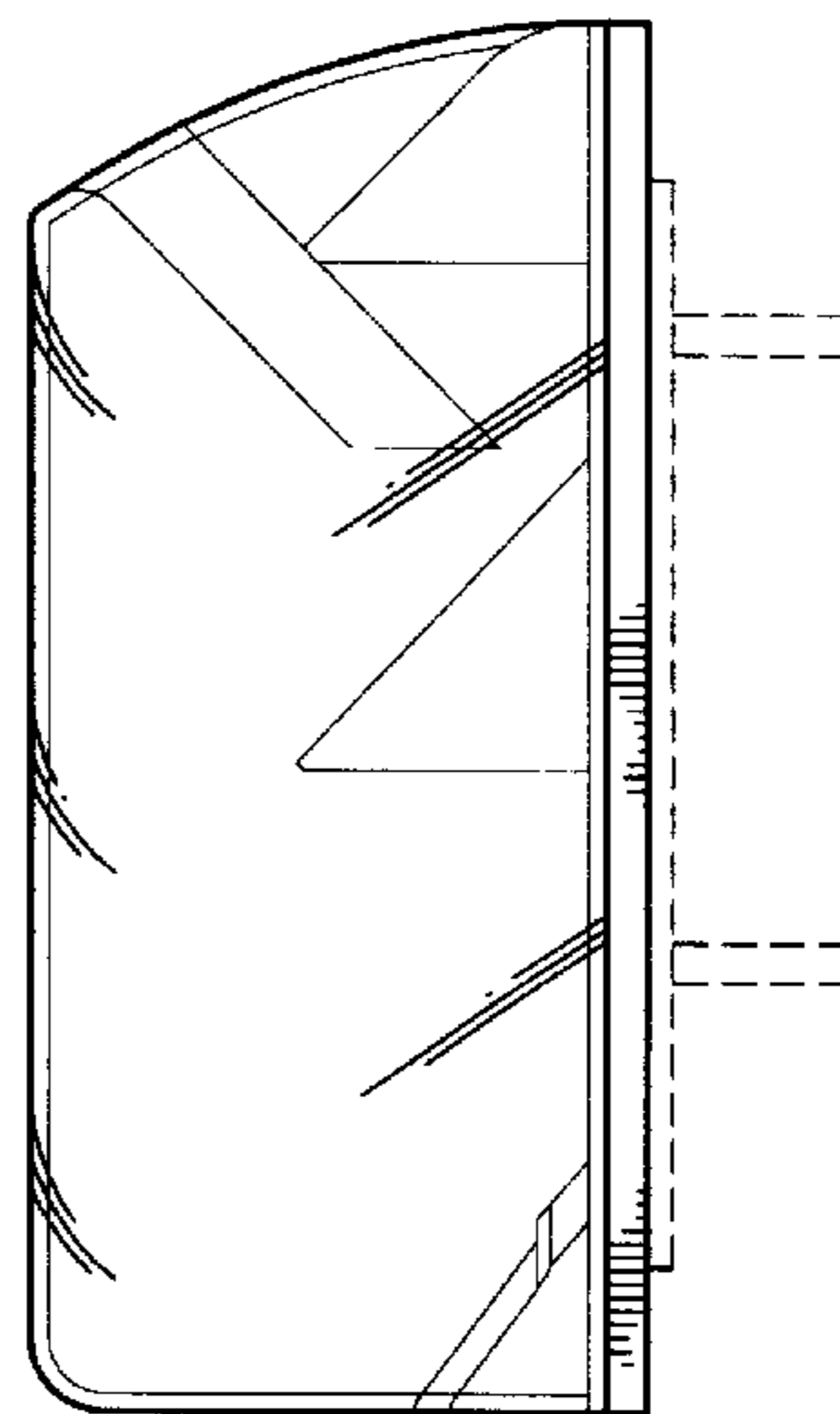


FIG. 5

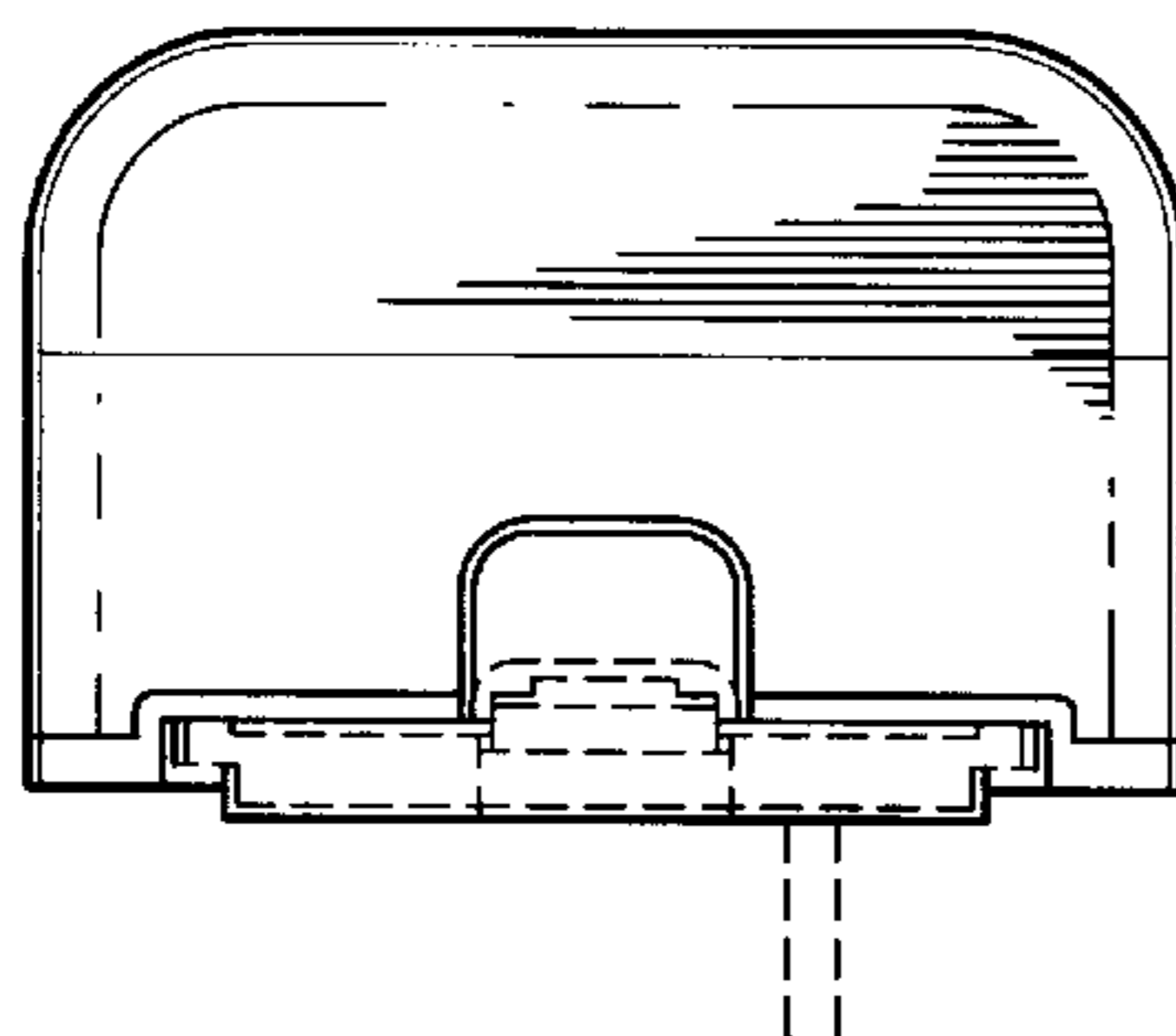


FIG. 6