



US00D538494S

(12) **United States Design Patent**
Varga

(10) **Patent No.:** **US D538,494 S**
(45) **Date of Patent:** **** Mar. 13, 2007**

(54) **COMBINED SQUEEGEE WATER BLADE WITH GUARD**

(75) Inventor: **George Varga**, Jupiter, FL (US)

(73) Assignee: **MPS Products, Inc.**, Jupiter, FL (US)

(**) Term: **14 Years**

(21) Appl. No.: **29/180,494**

(22) Filed: **Apr. 23, 2003**

(51) **LOC (8) Cl.** **04-01**

(52) **U.S. Cl.** **D32/42**

(58) **Field of Classification Search** D32/35,
D32/40, 46, 49; D23/266; 15/236.01, 236.02,
15/246, 245, 247, 175, 236.06, 245.1; D8/45;
D25/126, 132, 122, 124; 256/19, 21, 59,
256/65.01, 65.2, 65.04, 65.05; D34/41, 42
See application file for complete search history.

(56) **References Cited**

U.S. PATENT DOCUMENTS

32,484	A	*	6/1861	Bowles	449/41
D25,411	S	*	4/1896	Jones	D25/121
2,494,572	A	*	1/1950	Miller	15/105
2,821,365	A	*	1/1958	Lach	256/19
3,004,330	A	*	10/1961	Wilkins	29/890.053
D214,085	S	*	5/1969	Fremdling	D32/41
3,676,888	A	*	7/1972	Akers	15/245
D233,586	S	*	11/1974	Kopp	D32/46
4,097,951	A	*	7/1978	Hurt	15/245.1
4,191,361	A	*	3/1980	Jensen	256/12.5
4,214,342	A	*	7/1980	Amundsen	15/236.07
4,576,364	A	*	3/1986	O'Fearn	256/24
D285,014	S	*	8/1986	Maciel	D32/46
D311,979	S	*	11/1990	Wentzel	D25/122
D351,668	S	*	10/1994	Lim et al.	D25/121
D357,563	S	*	4/1995	Vosbikian	D32/41
D368,344	S	*	3/1996	Hansen	D32/46
D377,699	S	*	1/1997	McLaughlin	D32/46
D379,218	S	*	5/1997	Neufeld et al.	D23/304
D388,695	S	*	1/1998	Alcini	D8/395
D409,902	S	*	5/1999	Salvucci	D8/403
D411,739	S	*	6/1999	Havens	D8/403

5,920,947	A	*	7/1999	Varner	15/245
D415,075	S	*	10/1999	Lan	D12/133
6,126,756	A	*	10/2000	Varner	134/6
D454,178	S	*	3/2002	Speicher	D23/266
D454,386	S	*	3/2002	Speicher	D23/266
D473,988	S	*	4/2003	Miller	D32/74
D502,580	S	*	3/2005	Williams	D32/41
D518,261	S	*	3/2006	Varga	D32/41
2004/0211020	A1	*	10/2004	Varner	15/245
2004/0216256	A1	*	11/2004	Varga	15/245
2005/0034263	A1	*	2/2005	Killen	15/245
2005/0087084	A1	*	4/2005	Gray	101/123

OTHER PUBLICATIONS

Dahlstrom Metal Mouldings and Shapes Catalog , p. 34, Item No. 1554, Published 1969.*
Dahlstrom metal Mouldings and Shapes Catalog, p. 38, Item Nos. 1424-A and 1630, Published 1969.*
Dahlstrom Metal Mouldings and Shapes, p. 38, Item No. 1424-A, 1969.*
Dahlstrom Metal Mouldings and Shapes, p. 38, Item No. 1630, 1969.*

* cited by examiner

Primary Examiner—Cynthia E. Ramirez

(74) *Attorney, Agent, or Firm*—McHale & Slavin PA

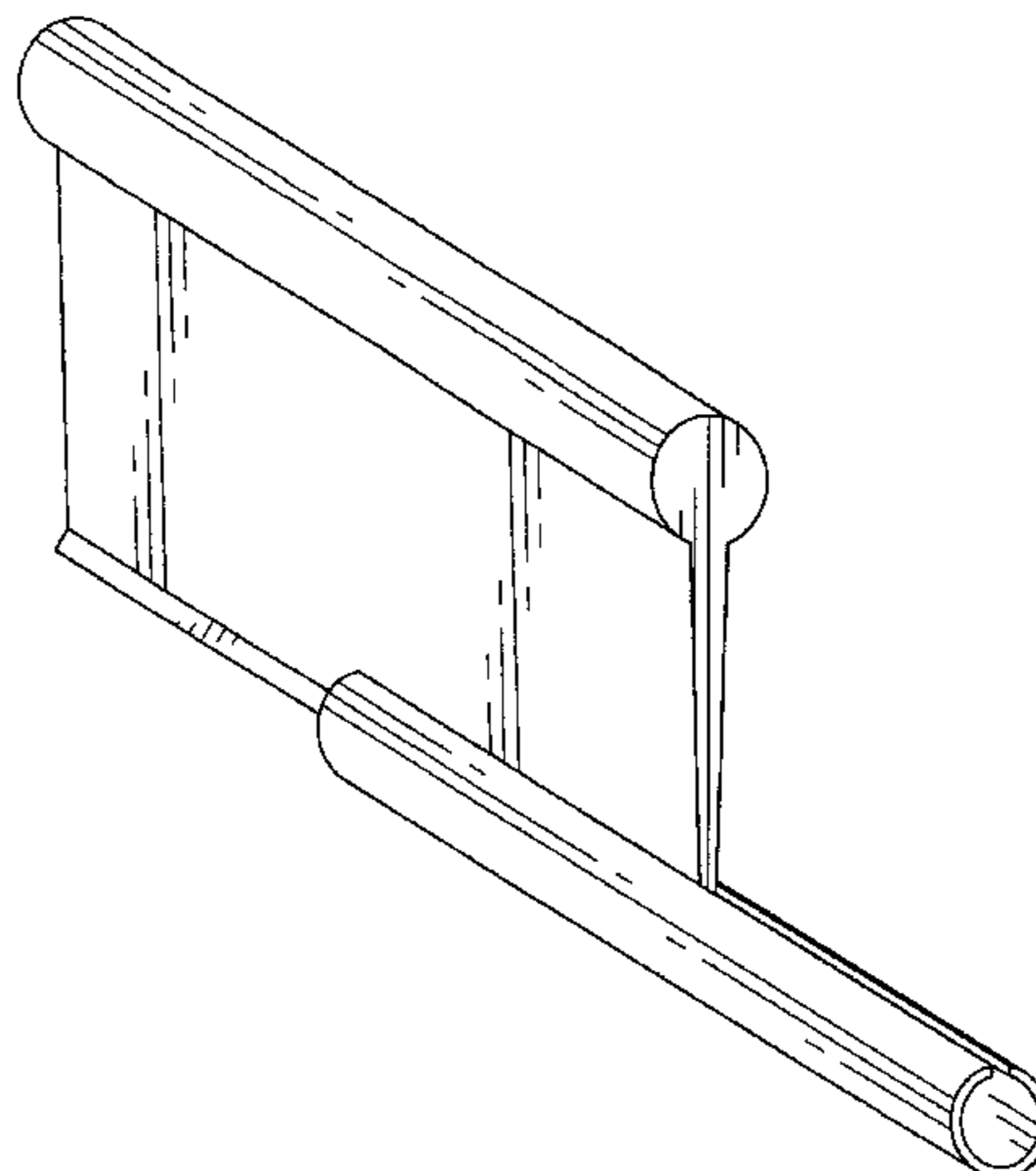
(57) **CLAIM**

The ornamental design for a combined squeegee water blade with guard, as shown and described.

DESCRIPTION

FIG. 1 is a perspective view of my combined squeegee water blade with guard showing my new design;
FIG. 2 is a front view of the guard of FIG. 1, the rear being a duplicate image thereof;
FIG. 3 is a top view of the guard of FIG. 1;
FIG. 4 is a right side view of the guard of FIG. 1, the left being a mirror image thereof; and,
FIG. 5 is a bottom view of the guard of FIG. 1.
The squeegee water blade is not shown in FIGS. 2 through 5 for convenience of illustration.

1 Claim, 1 Drawing Sheet



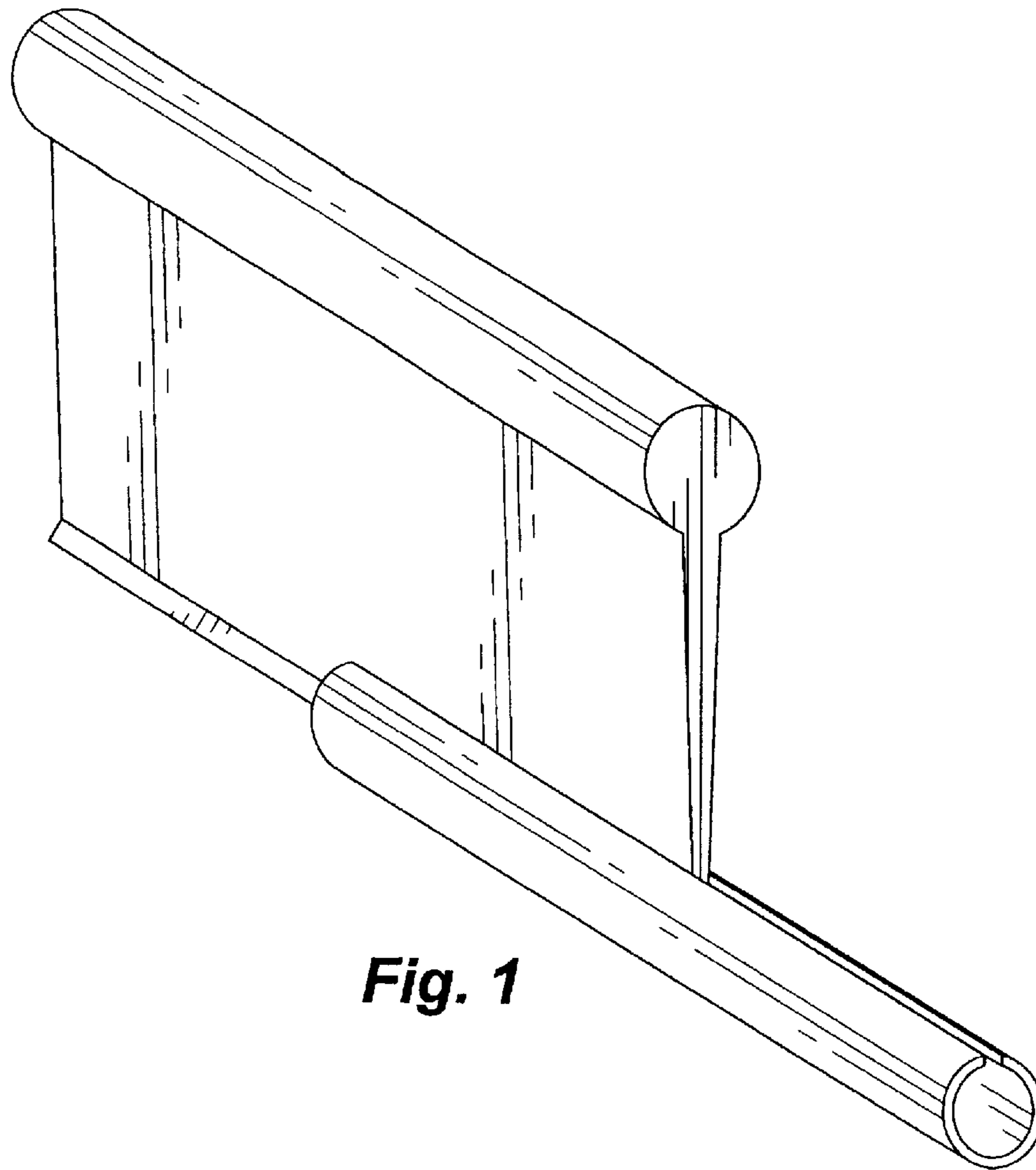


Fig. 1

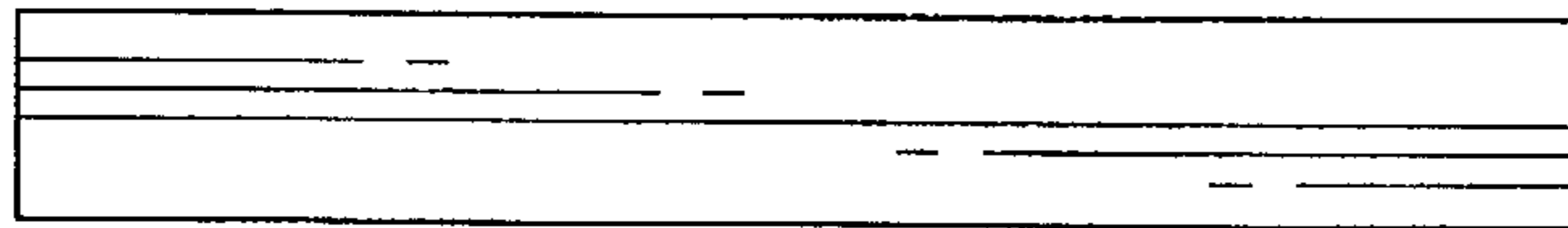


Fig. 2

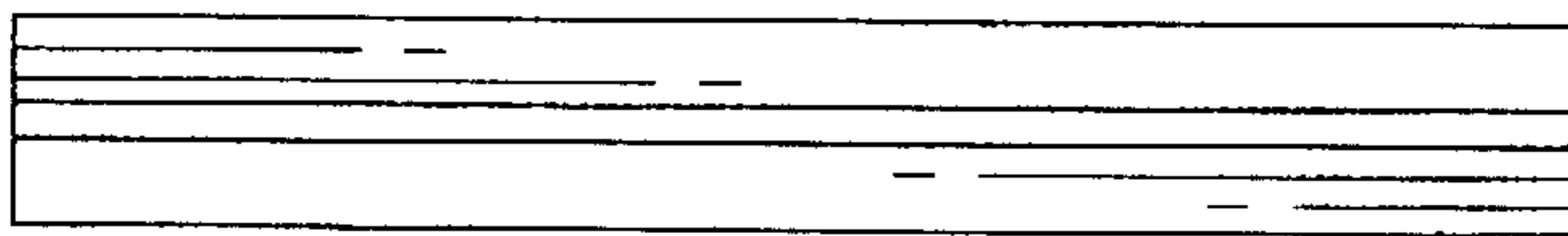


Fig. 3



Fig. 4

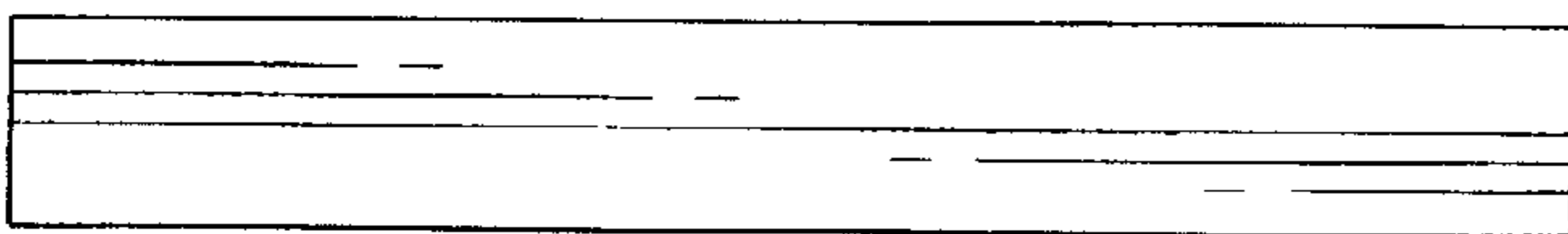


Fig. 5