



US00D538492S

(12) **United States Design Patent**
Pedlar

(10) **Patent No.:** **US D538,492 S**
(45) **Date of Patent:** **** Mar. 13, 2007**

- (54) **FLOOR TREATMENT DEVICE**
- (75) Inventor: **Roger Pedlar**, Lakewood, CO (US)
- (73) Assignee: **Castle Rock Industries, Inc.**, Englewood, CO (US)
- (**) Term: **14 Years**
- (21) Appl. No.: **29/247,133**
- (22) Filed: **Jun. 1, 2006**

D290,054 S	*	5/1987	Block	D32/15
4,715,087 A		12/1987	Todd et al.	
4,759,094 A		7/1988	Palmer et al.	
4,809,397 A		3/1989	Jacobs et al.	
5,058,235 A		10/1991	Charky	
5,109,566 A		5/1992	Kobayashi et al.	
5,127,124 A		7/1992	Palmer et al.	
5,138,742 A		8/1992	Charky	
5,372,376 A		12/1994	Pharaoh	
5,465,456 A		11/1995	Fellhauer et al.	

(Continued)

Related U.S. Application Data

- (62) Division of application No. 29/217,055, filed on Nov. 11, 2004.
- (51) **LOC (8) Cl.** **15-05**
- (52) **U.S. Cl.** **D32/16**
- (58) **Field of Classification Search** D32/1, D32/15, 16, 17, 19, 21-23; 15/320, 321, 15/353, 327.1, 327.6, 50.1
See application file for complete search history.

FOREIGN PATENT DOCUMENTS

EP 282850 9/1991

OTHER PUBLICATIONS

Street Cleaning device shown on www.onyx-environment.com, accessed May 7, 2004; 1 page.
Madvac PS300 Brochure, Feb. 2004, 4 pages.
Allied Sweepers 400 Series Specs., May 1998, 1 page.

Primary Examiner—Louis S. Zarfes
Assistant Examiner—Kathleen Sims
(74) *Attorney, Agent, or Firm*—Sheridan Ross P.C.

(56) **References Cited**

U.S. PATENT DOCUMENTS

3,020,576 A	2/1962	Gerber	
3,040,363 A	6/1962	Krammes	
3,604,051 A	9/1971	Wendel et al.	
3,833,961 A	9/1974	Fortman et al.	
3,837,029 A	9/1974	Kasper	
3,879,789 A	4/1975	Kasper	
3,896,520 A	7/1975	Williams	
4,041,567 A	8/1977	Burgoon	
4,173,052 A	11/1979	Burgoon et al.	
4,195,492 A	4/1980	Johnson et al.	
4,210,978 A	7/1980	Johnson et al.	
4,219,901 A	9/1980	Burgoon et al.	
4,314,385 A	2/1982	Wimsatt et al.	
4,348,783 A	9/1982	Swanson et al.	
D273,621 S	* 4/1984	Haub et al.	D32/16
4,467,494 A	8/1984	Jones	
4,586,208 A	5/1986	Trevarthen	
D290,053 S	* 5/1987	Block	D32/15

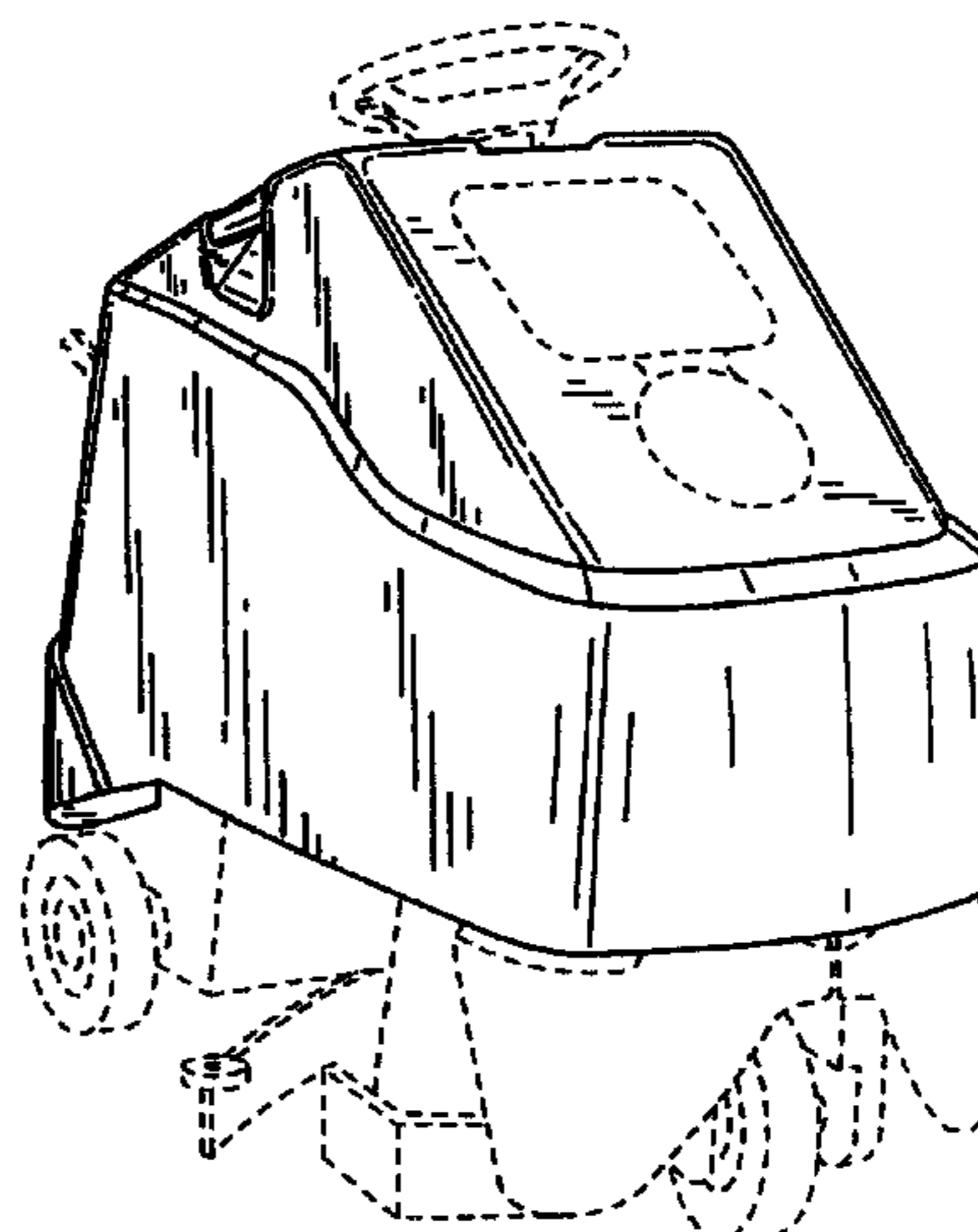
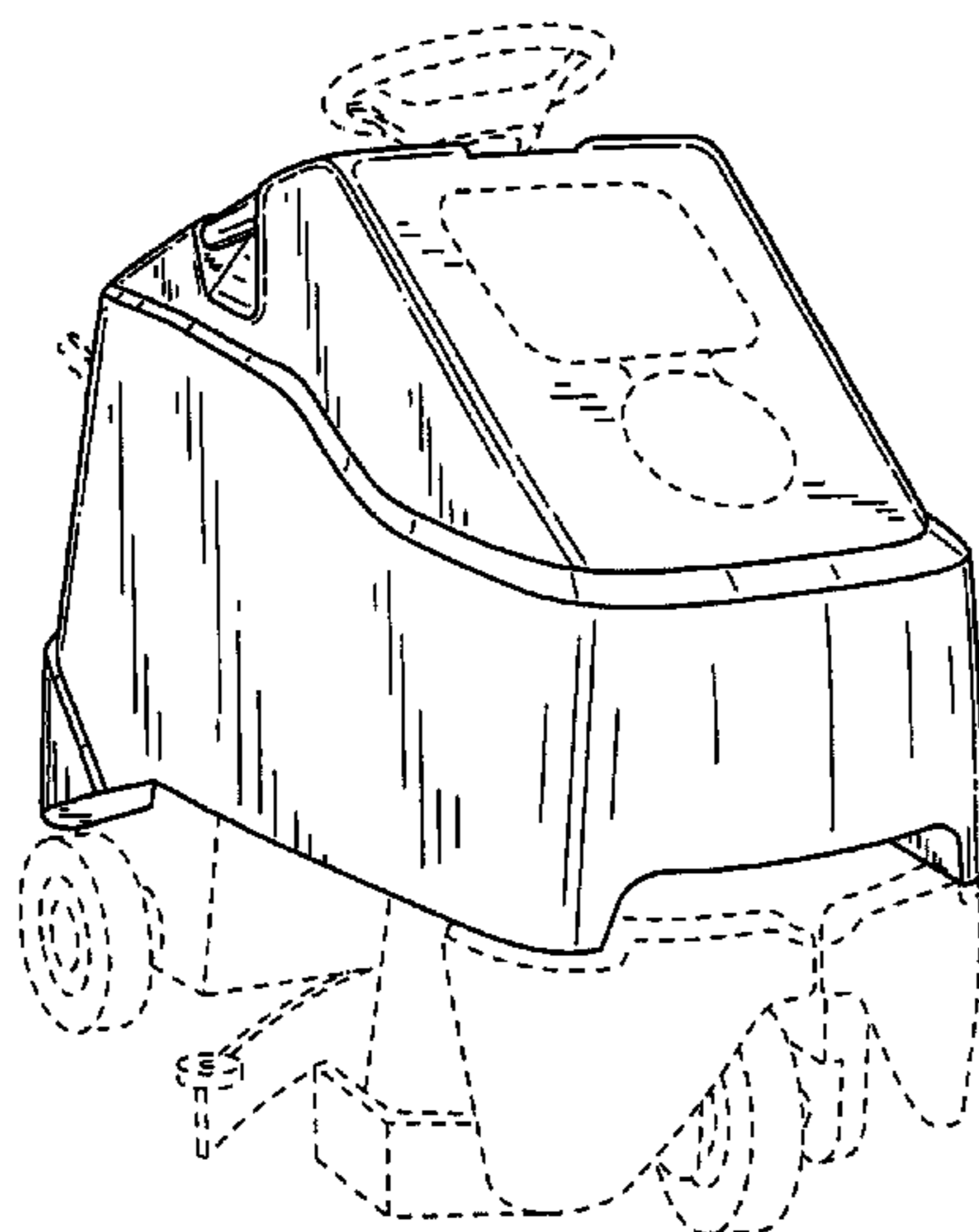
(57) **CLAIM**

The ornamental design for a floor treatment device, as shown and described.

DESCRIPTION

FIG. 1 is a perspective view of a floor treatment device; and FIG. 2 is a perspective view of a second embodiment of FIG. 1, the only difference being a continuous front surface, it being understood that all other surfaces are the same as those of the first embodiment; FIG. 3 is a rear elevation view of the design shown in FIG. 1; and, FIG. 4 is a top plan view of the design shown in FIG. 1. The broken lines showing of the floor treatment device is for illustrative purposes only and forms no part of the claimed design.

1 Claim, 4 Drawing Sheets



US D538,492 S

Page 2

U.S. PATENT DOCUMENTS						
			6,594,844	B2	7/2003	Jones
			6,625,843	B2	9/2003	Kim et al.
			6,629,333	B2	10/2003	Bolden
			6,845,829	B2	1/2005	Hafendorfer
5,485,653	A	1/1996	Knowlton et al.			
D370,320	S	* 5/1996	Hachtmann	D32/21		
5,524,320	A	6/1996	Zachhuber			
5,742,975	A	4/1998	Knowlton et al.			
5,768,742	A	6/1998	Kohl et al.			
6,041,471	A	3/2000	Charky et al.			
6,397,429	B1	6/2002	Legatt et al.			
6,442,789	B1	9/2002	Legatt et al.			
6,519,808	B2	2/2003	Legatt et al.			
6,535,793	B2	3/2003	Allard			
6,553,609	B2	4/2003	Tremmel et al.			
6,585,827	B2	* 7/2003	Field et al.	134/6		
						* cited by examiner
			2001/0019935	A1	9/2001	Legatt et al.
			2002/0178522	A1	12/2002	Buchegger et al.
			2003/0019068	A1 *	1/2003	Field et al. 15/320
			2003/0019069	A1 *	1/2003	Field et al. 15/320
			2003/0046788	A1	3/2003	Kent et al.
			2003/0070249	A1	4/2003	Lehman et al.
			2003/0070252	A1 *	4/2003	Pedlar et al. 15/401
			2005/0132527	A1 *	6/2005	Pedlar et al. 15/340.3

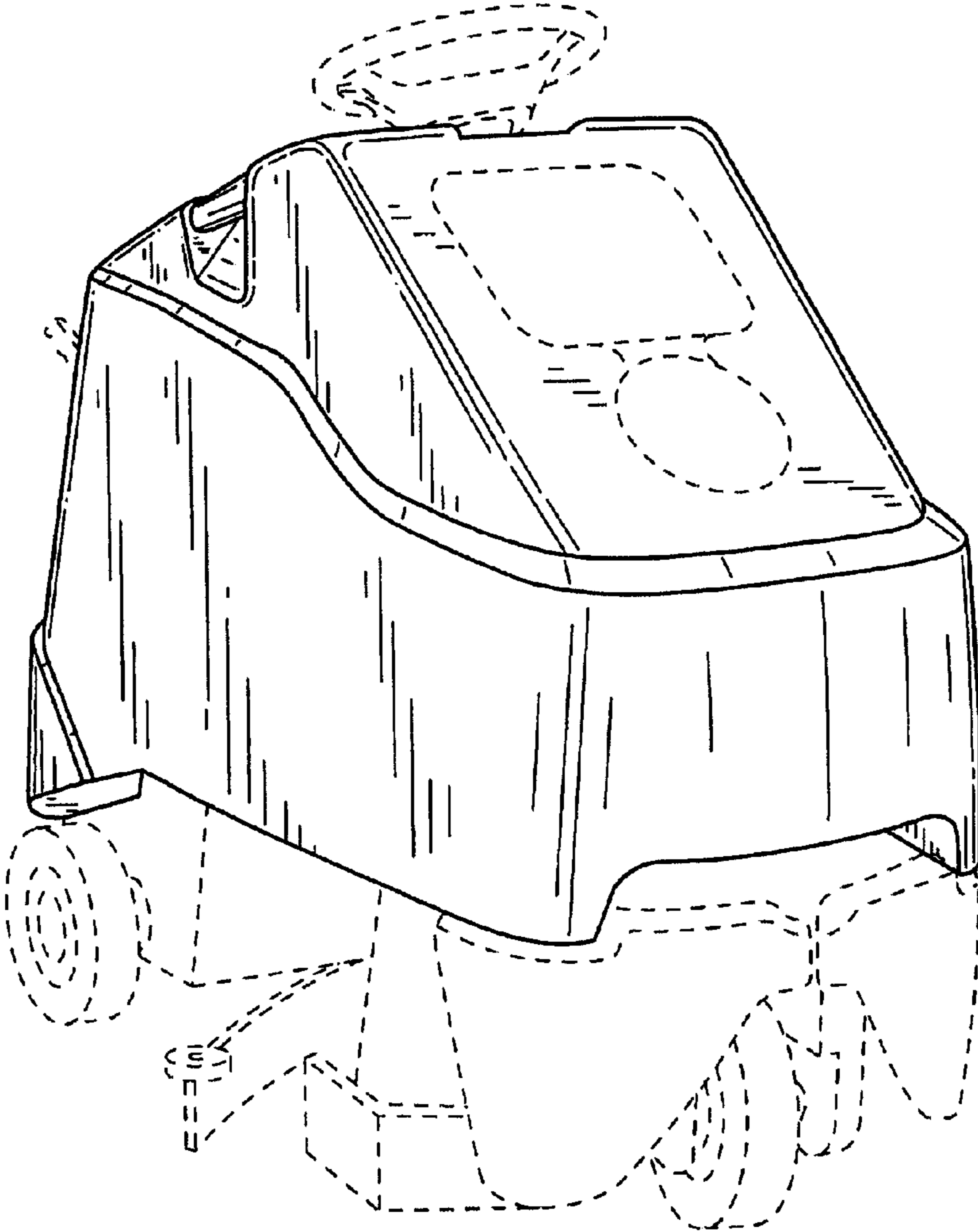


FIG.1

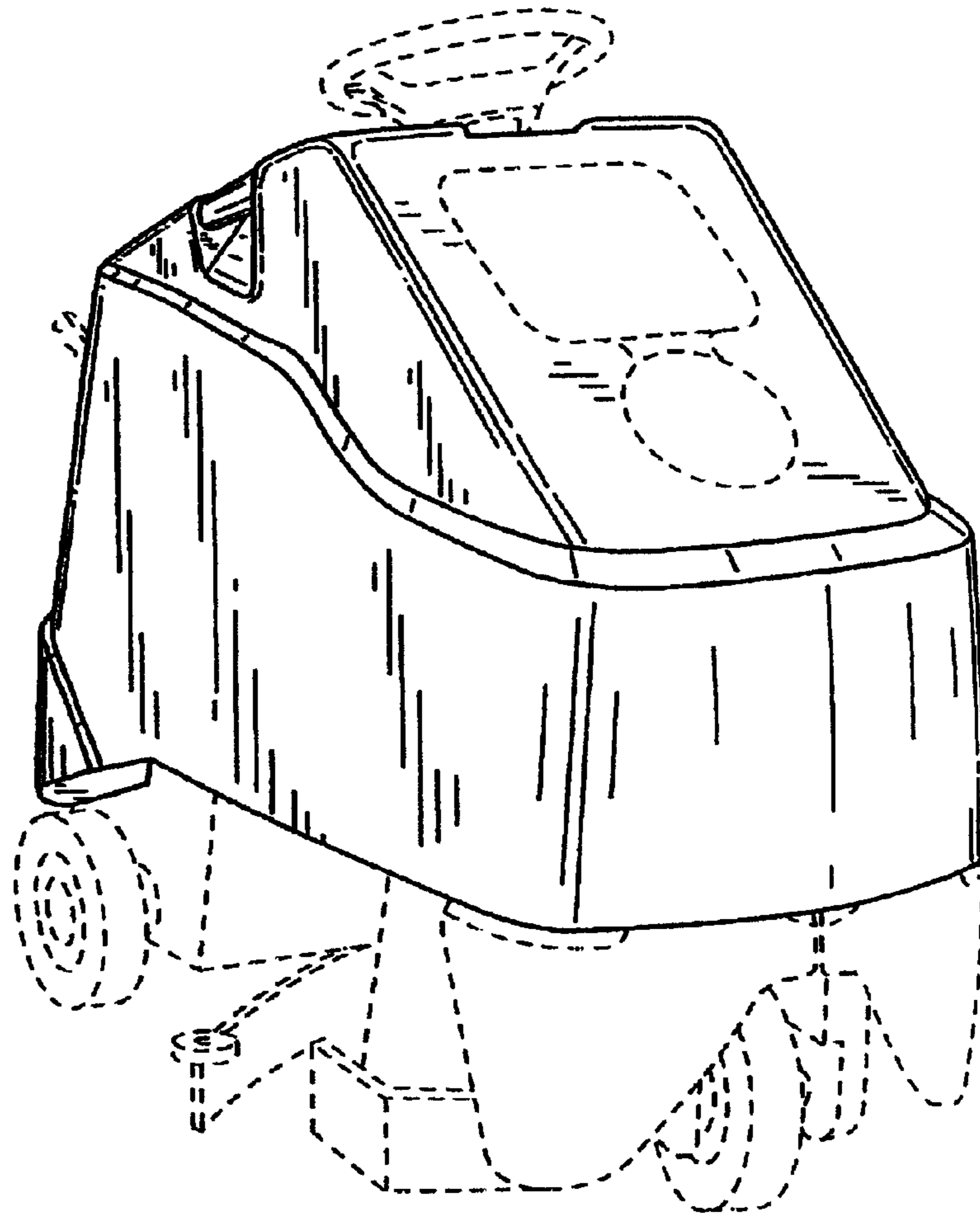


FIG. 2

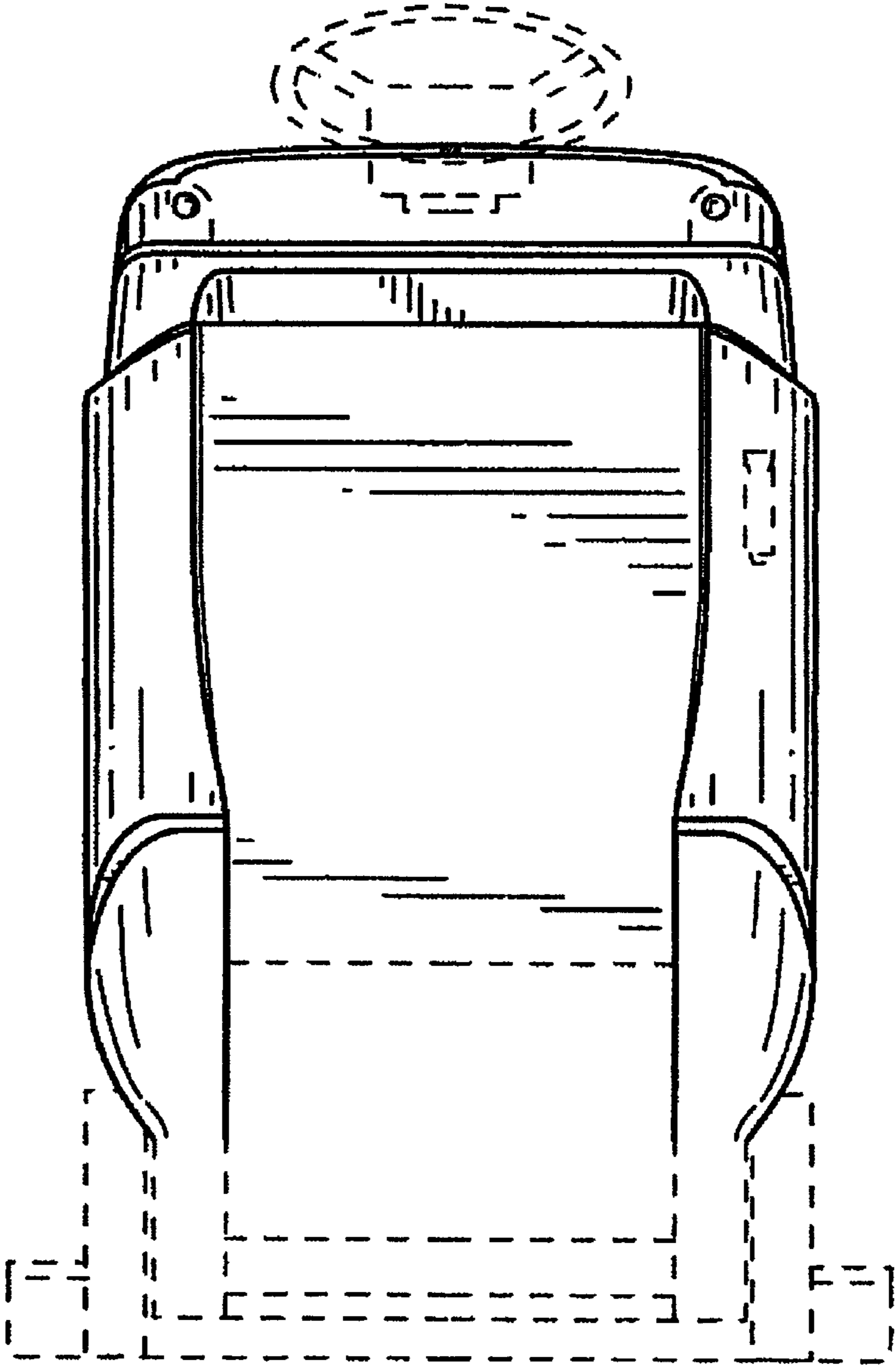


FIG. 3

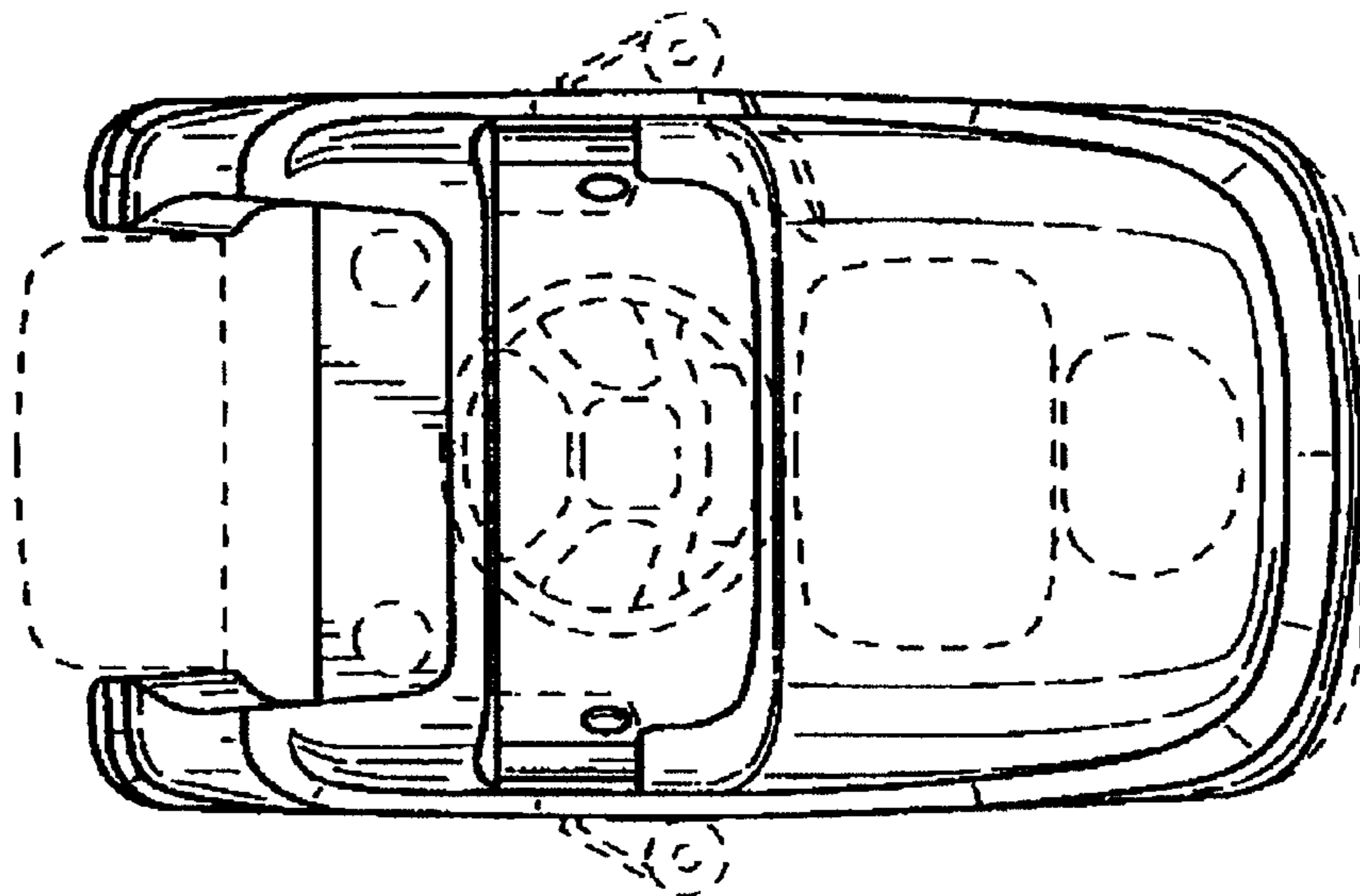


FIG. 4