



US00D538489S

(12) **United States Design Patent**  
**Bixby et al.**

(10) **Patent No.:** **US D538,489 S**  
(45) **Date of Patent:** **\*\* Mar. 13, 2007**

(54) **LAUNDRY APPLIANCE**

(75) Inventors: **Seth Edward Bixby**, Stevensville, MI (US); **Phillip Edward Lindeman**, Fox River Grove, IL (US)

(73) Assignee: **Whirlpool Corporation**, Benton Harbor, MI (US)

(\*\*) Term: **14 Years**

(21) Appl. No.: **29/235,911**

(22) Filed: **Aug. 8, 2005**

(51) **LOC (8) Cl.** ..... **15-05**

(52) **U.S. Cl.** ..... **D32/6**

(58) **Field of Classification Search** ..... 68/3 R, 68/4, 5, 12.01, 12.08, 212; 34/58, 109, 417, 34/499, 523, 534, 595-597, 600, 603; D32/1, D32/5, 6, 10, 25, 28, 58; 312/31; 38/1 A  
See application file for complete search history.

(56) **References Cited**

**U.S. PATENT DOCUMENTS**

D456,572 S	4/2002	Resuello et al. ....	D33/6
D457,991 S	5/2002	Baldwin et al. ....	D32/6
D457,992 S	5/2002	Baldwin et al. ....	D32/6
D459,844 S	7/2002	Baldwin et al. ....	D32/6
D465,622 S	* 11/2002	Wang et al. ....	D32/6

D495,453 S	8/2004	Baldwin et al. ....	D32/8
D502,577 S	* 3/2005	Baldwin et al. ....	D32/6
D515,257 S	* 2/2006	Geyer .....	D32/6
D517,256 S	* 3/2006	Kim .....	D32/6

\* cited by examiner

*Primary Examiner*—Louis S. Zarfaz

*Assistant Examiner*—Kathleen Sims

(74) *Attorney, Agent, or Firm*—McGarry Bair PC

(57) **CLAIM**

The ornamental design for a laundry appliance, as shown and described.

**DESCRIPTION**

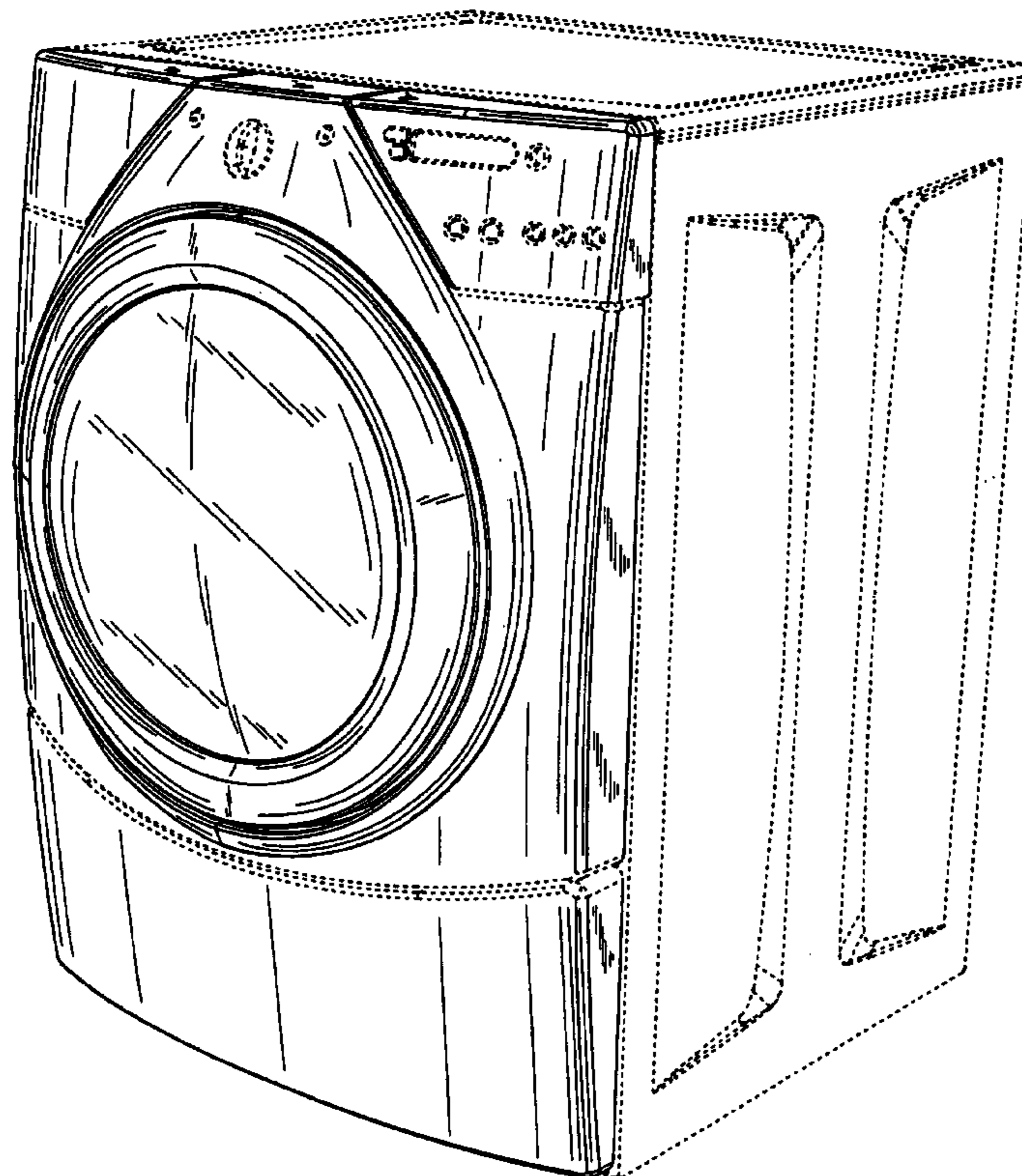
FIG. 1 is a right front perspective view of the ornamental design for a laundry appliance according to the invention; FIG. 2 is a front elevational view of the laundry appliance of FIG. 1;

FIG. 3 is a right side elevational view of the laundry appliance of FIG. 1, the left side of which is a mirror image thereof; and,

FIG. 4 is a top plan view of the laundry appliance of FIG. 1.

The structures depicted by means of broken lines in the figures have been shown for illustrative purposes only and form no part of the claimed design.

**1 Claim, 4 Drawing Sheets**



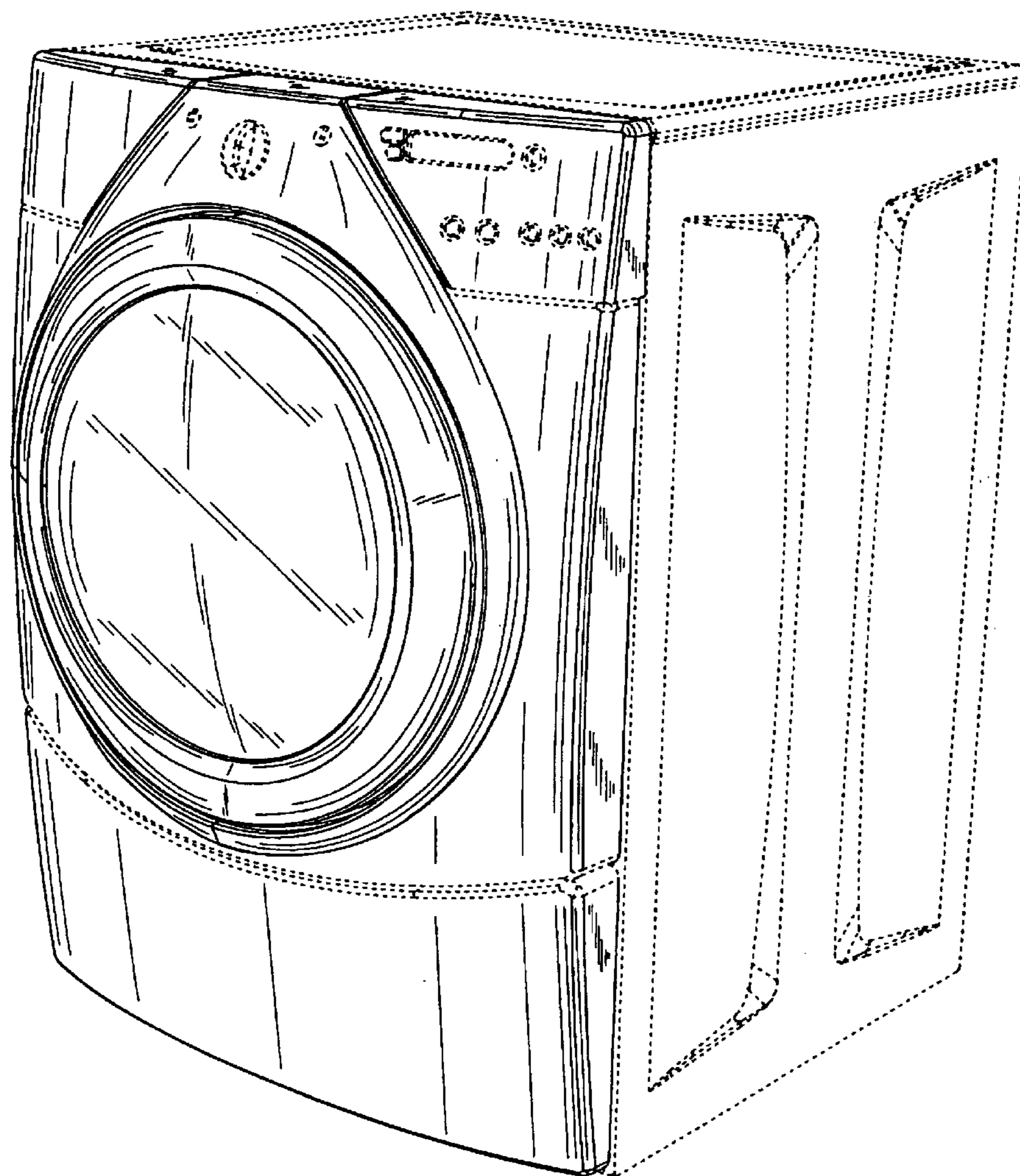


Fig. 1

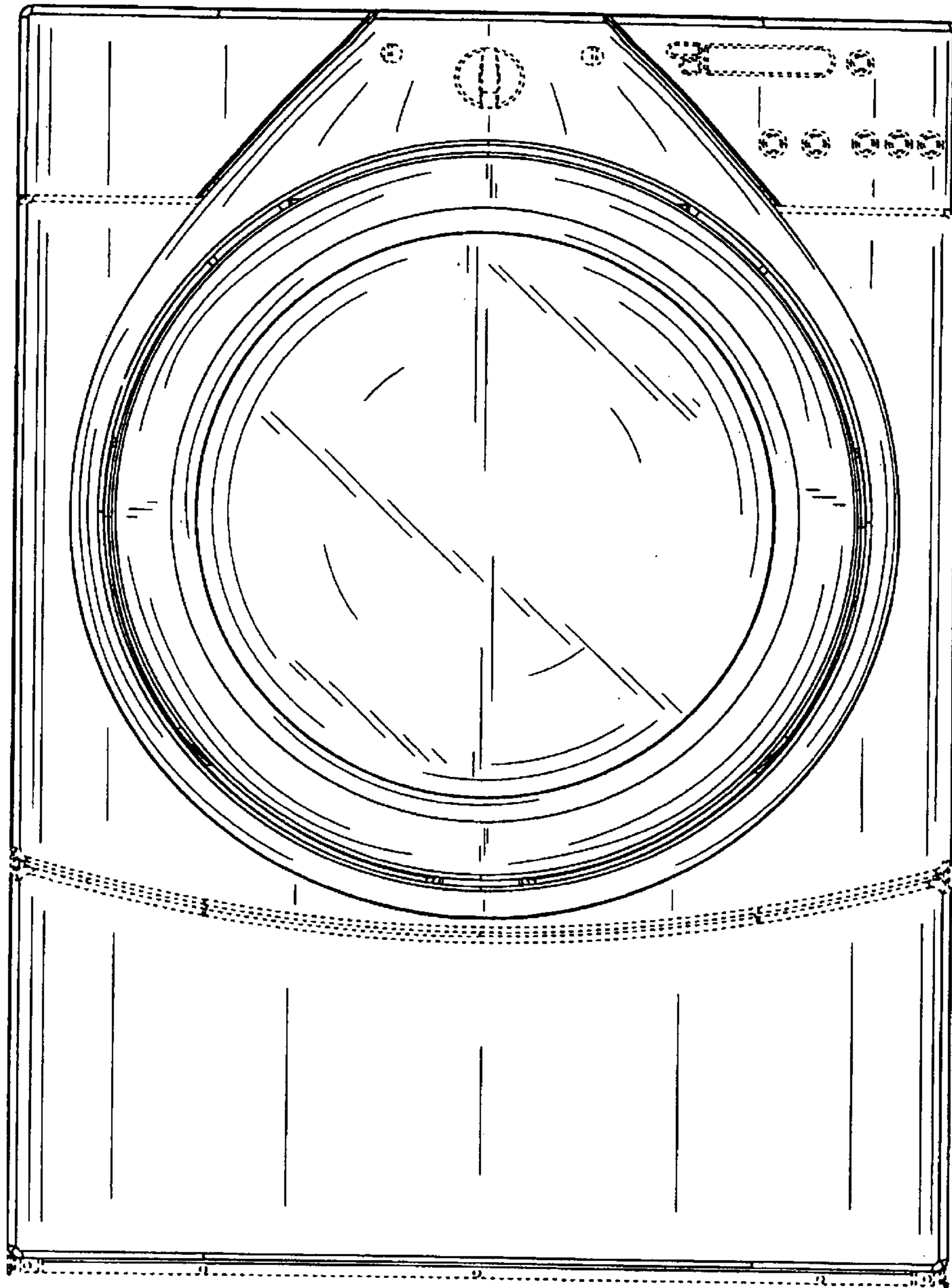


Fig. 2

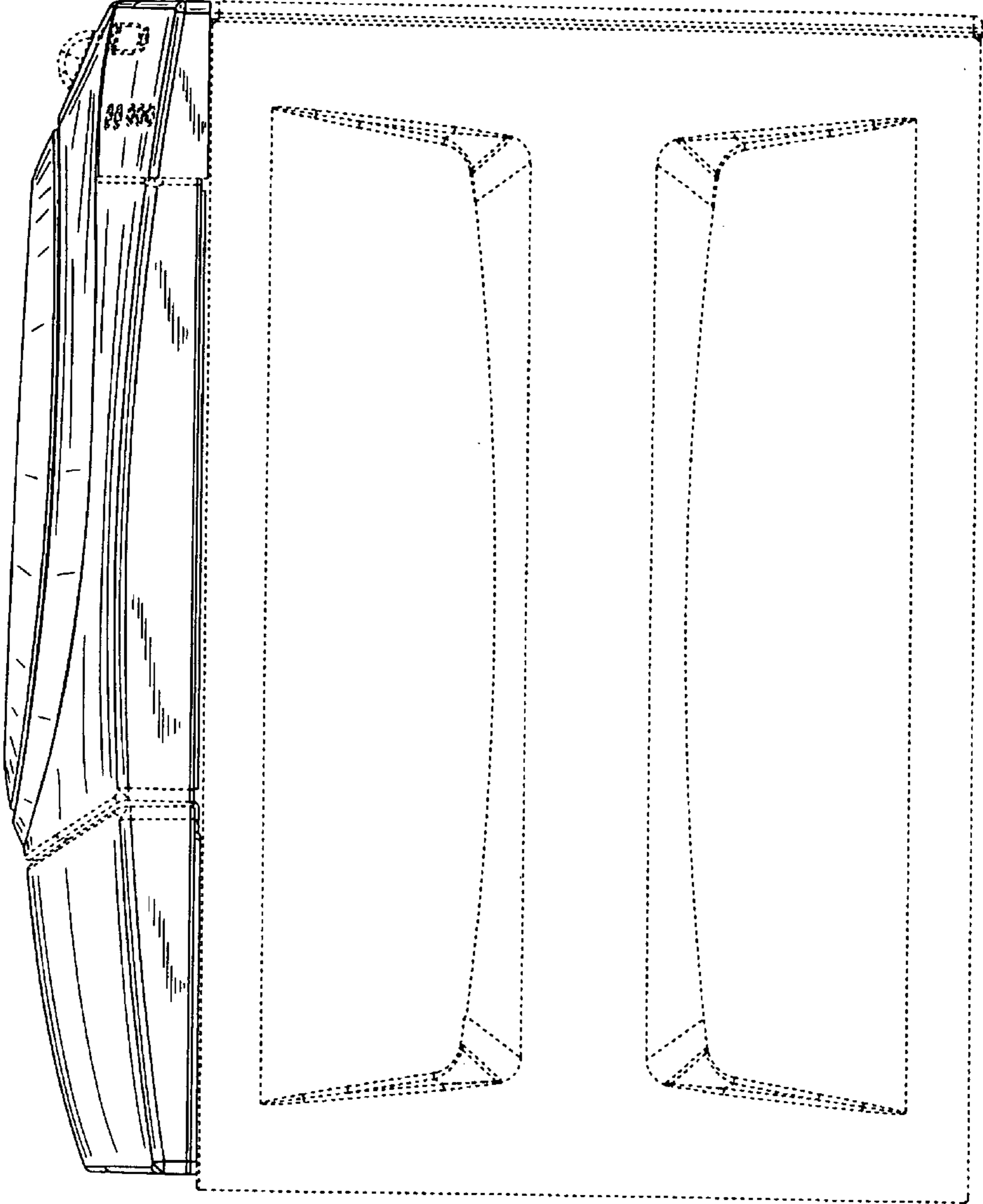


Fig. 3

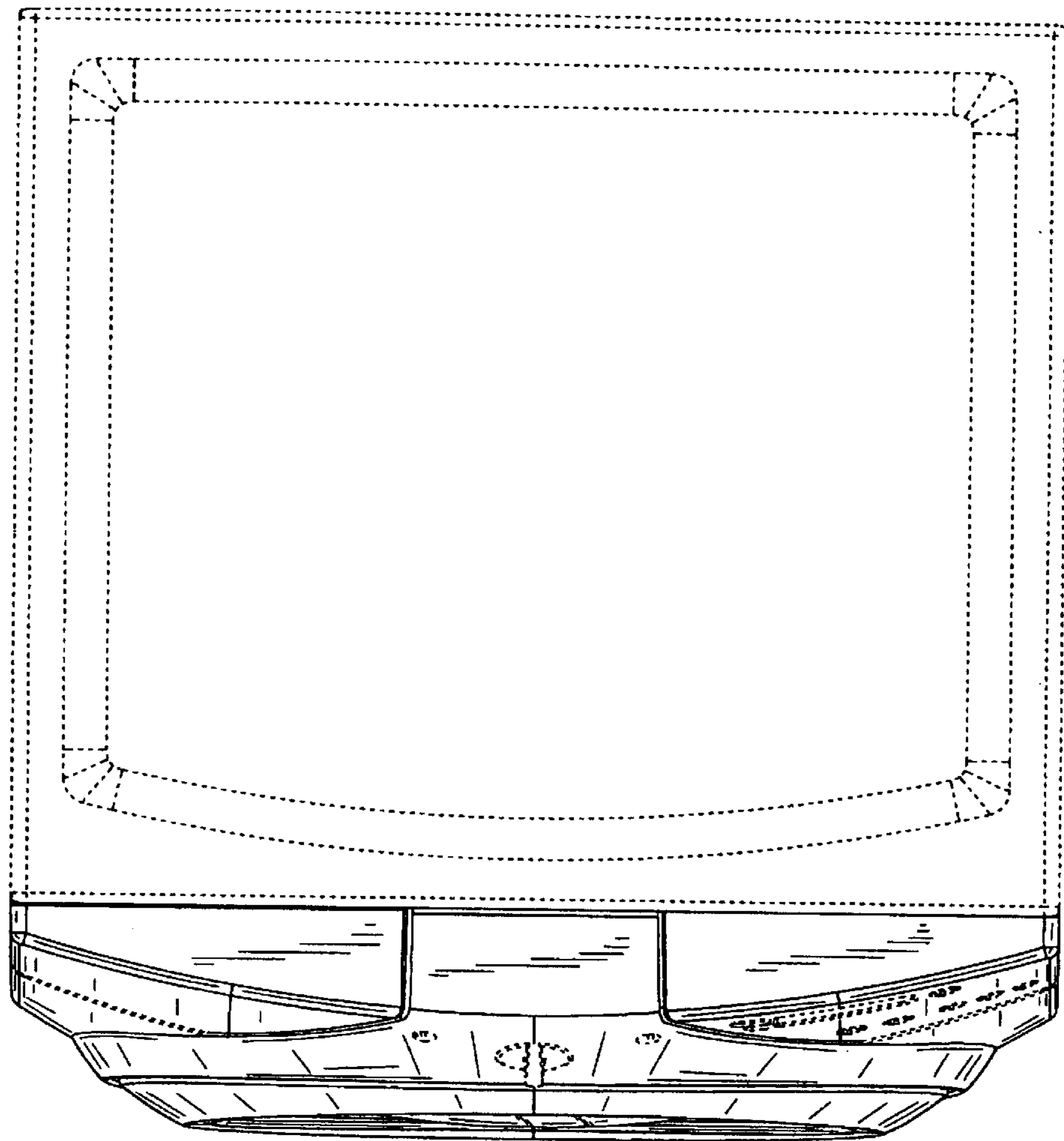


Fig. 4