



US00D538488S

(12) **United States Design Patent**
Carey et al.

(10) **Patent No.:** **US D538,488 S**
(45) **Date of Patent:** **** Mar. 13, 2007**

(54) **LAUNDRY APPLIANCE**

D491,324 S * 6/2004 Kim et al. D32/6

(75) Inventors: **Michael Robert Carey**, Coloma, MI (US); **Darryl C. Bodine**, St. Joseph, MI (US); **Eric Andrew Hill**, Holland, MI (US)

* cited by examiner

Primary Examiner—Louis S. Zarfes
Assistant Examiner—Kathleen Sims
(74) *Attorney, Agent, or Firm*—McGarry Bair PC

(73) Assignee: **Whirlpool Corporation**, Benton Harbor, MI (US)

(57) **CLAIM**

The ornamental design for a laundry appliance, as shown and described.

(**) Term: **14 Years**

DESCRIPTION

(21) Appl. No.: **29/235,858**

FIG. 1 is a right front perspective view of the ornamental design for a first embodiment laundry appliance according to the invention;

(22) Filed: **Aug. 8, 2005**

FIG. 2 is a front elevational view of the laundry appliance of FIG. 1;

(51) **LOC (8) Cl.** **15-05**

(52) **U.S. Cl.** **D32/6**

(58) **Field of Classification Search** 68/3 R, 68/4, 5, 12.01, 12.08, 212; 34/58, 109, 130–132, 34/417, 499, 523, 534, 600, 603; D32/1, D32/5, 6, 10, 25, 28, 58; 312/31; 38/1 A
See application file for complete search history.

FIG. 3 is a right side elevational view of the laundry appliance of FIG. 1, the left side of which is a mirror image thereof;

FIG. 4 is a top plan view of the laundry appliance of FIG. 1;

(56) **References Cited**

U.S. PATENT DOCUMENTS

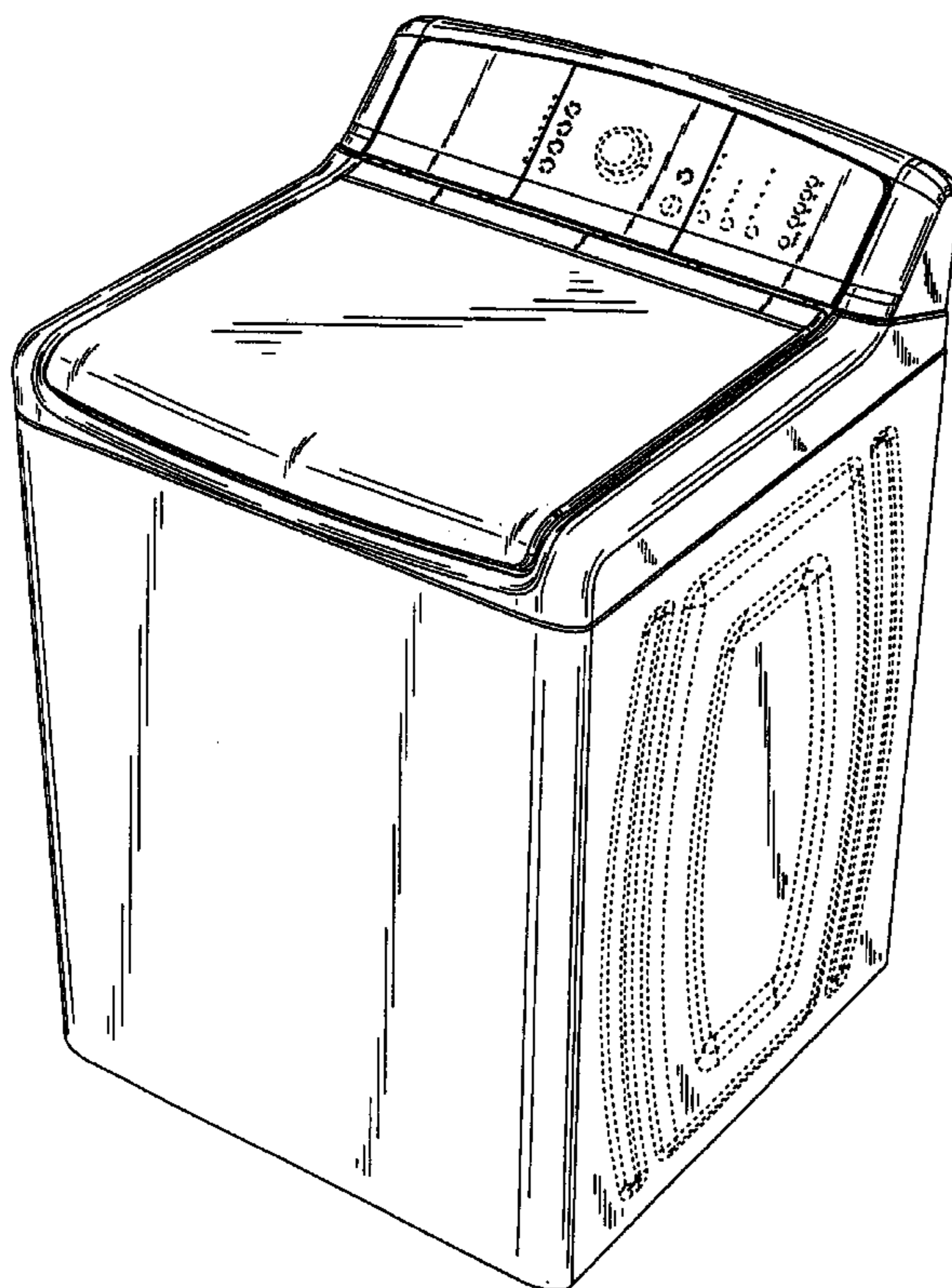
D169,113 S	3/1953	Sundberg	49/1
D292,629 S	* 11/1987	Nagai et al.	D32/6
D360,501 S	* 7/1995	Ertz et al.	D32/6
D446,891 S	* 8/2001	Kim	D32/6
D465,308 S	11/2002	Resuello et al.	D32/6
D477,898 S	* 7/2003	Geyer	D32/6
D490,946 S	* 6/2004	Suh et al.	D32/6

FIG. 5 is a right front perspective view of the ornamental design for a second embodiment laundry appliance according to the invention; and,

FIG. 6 is a top plan view of the laundry appliance of FIG. 5.

The structures depicted by means of broken lines in the figures have been shown for illustrative purposes only and form no part of the claimed design.

1 Claim, 6 Drawing Sheets



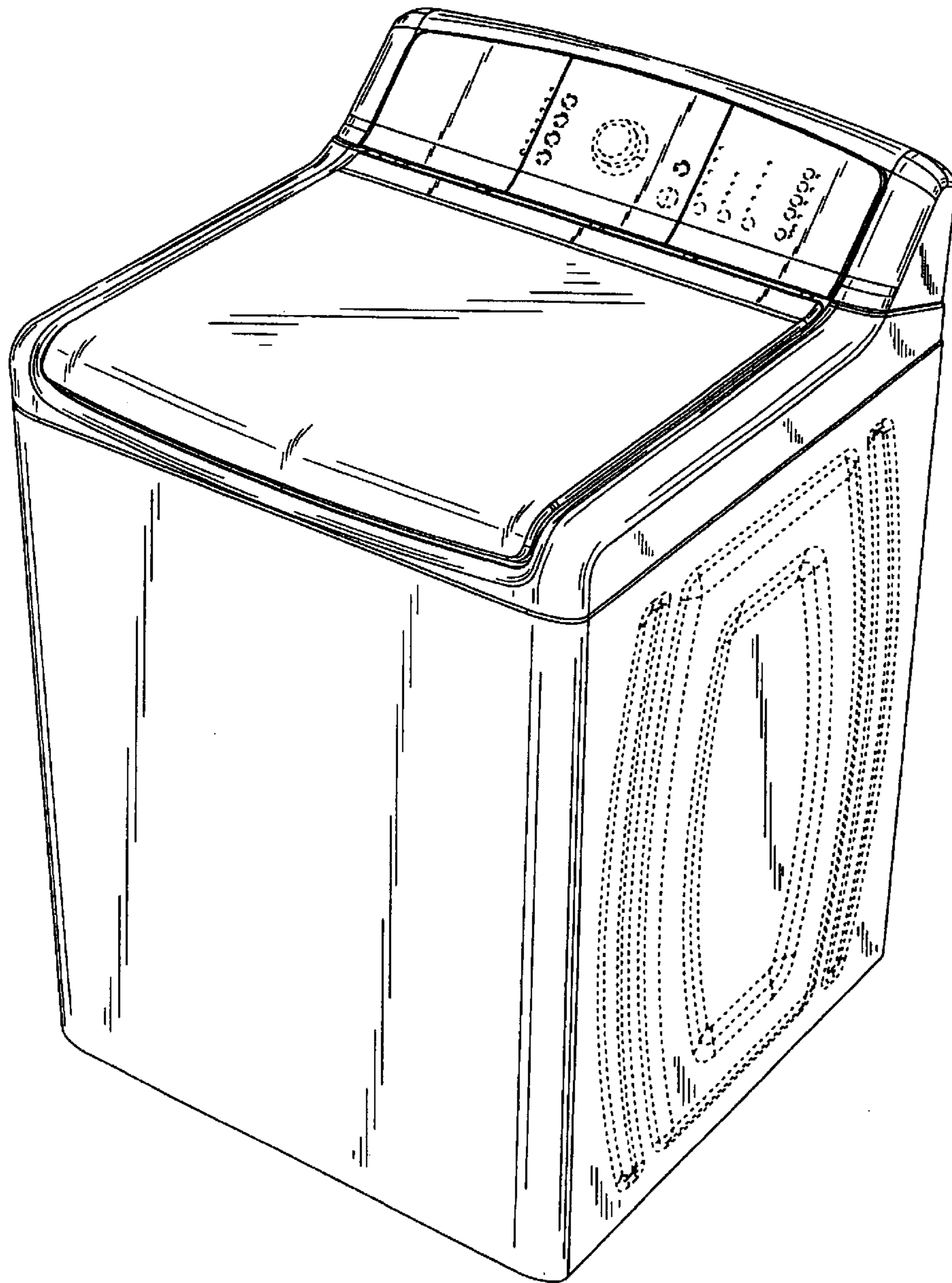


Fig. 1

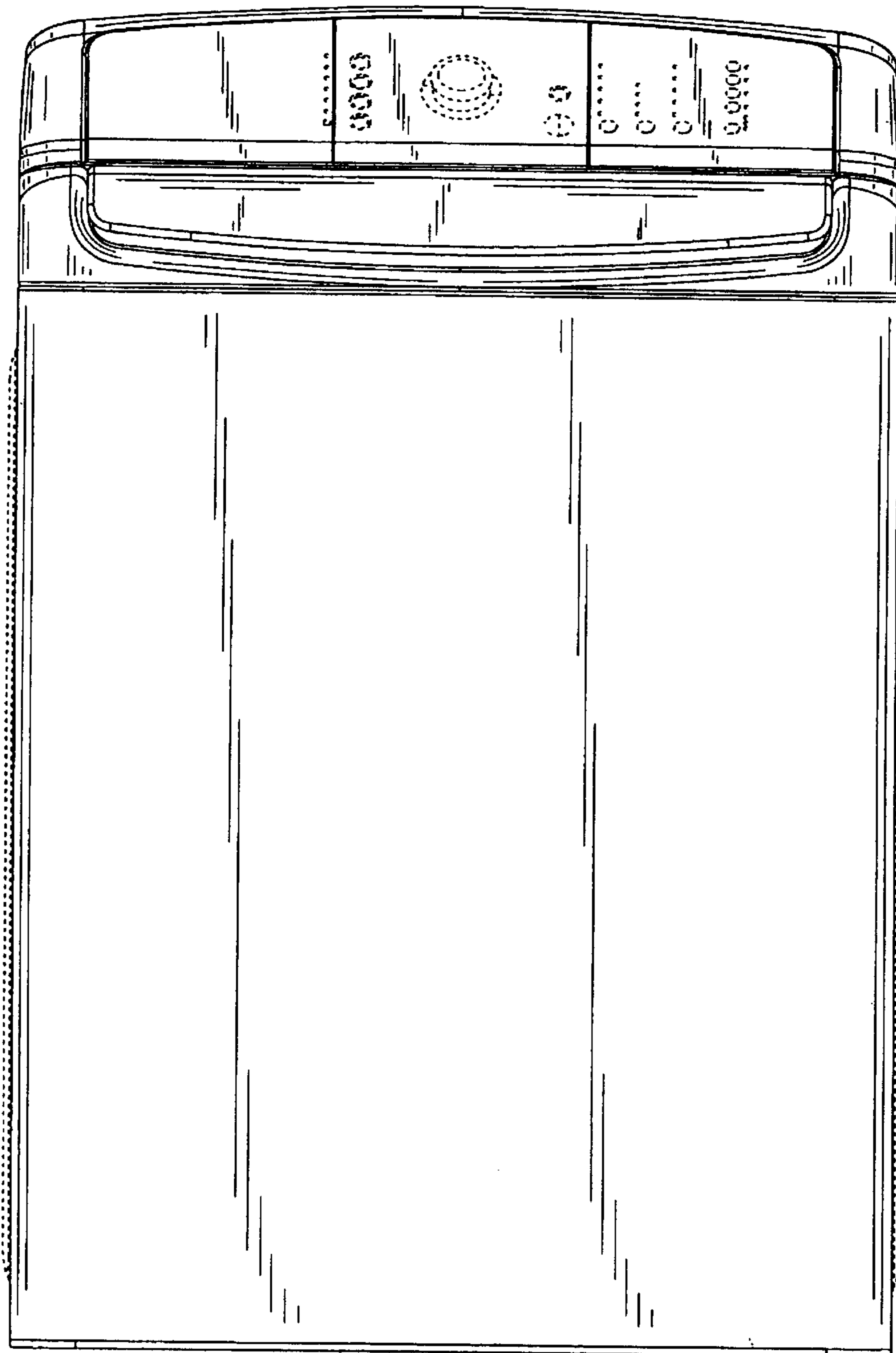


Fig. 2

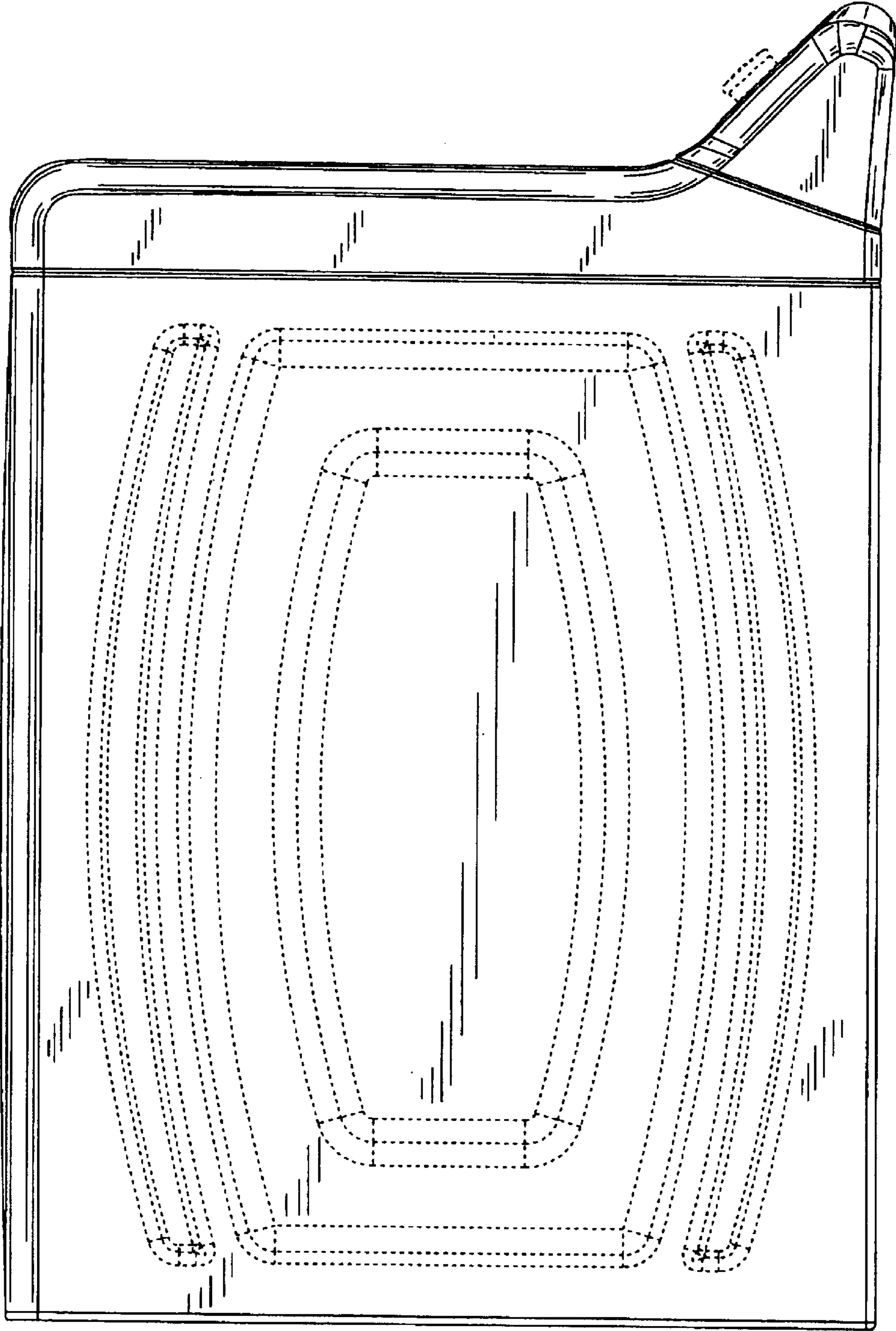


Fig. 3

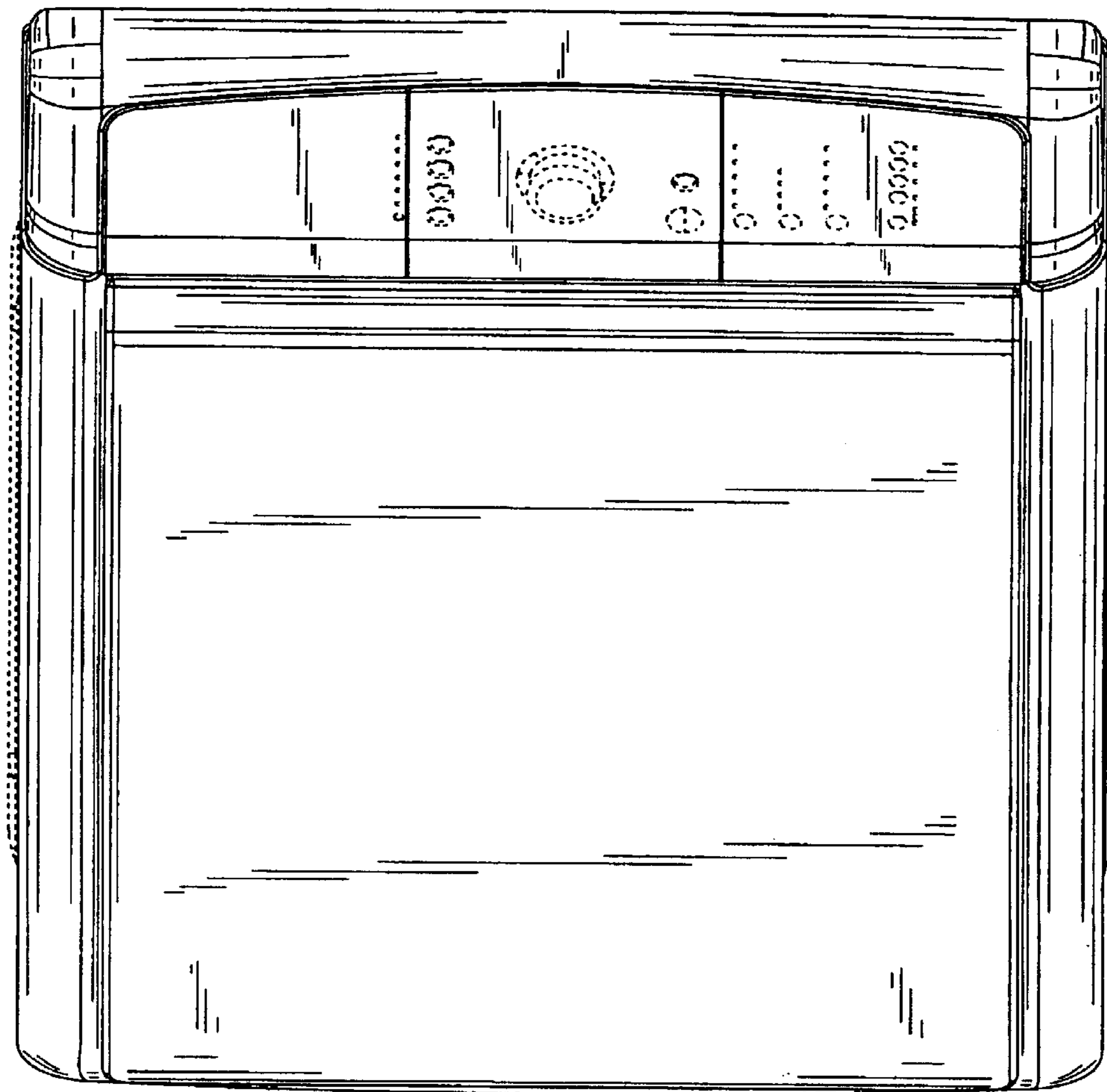


Fig. 4

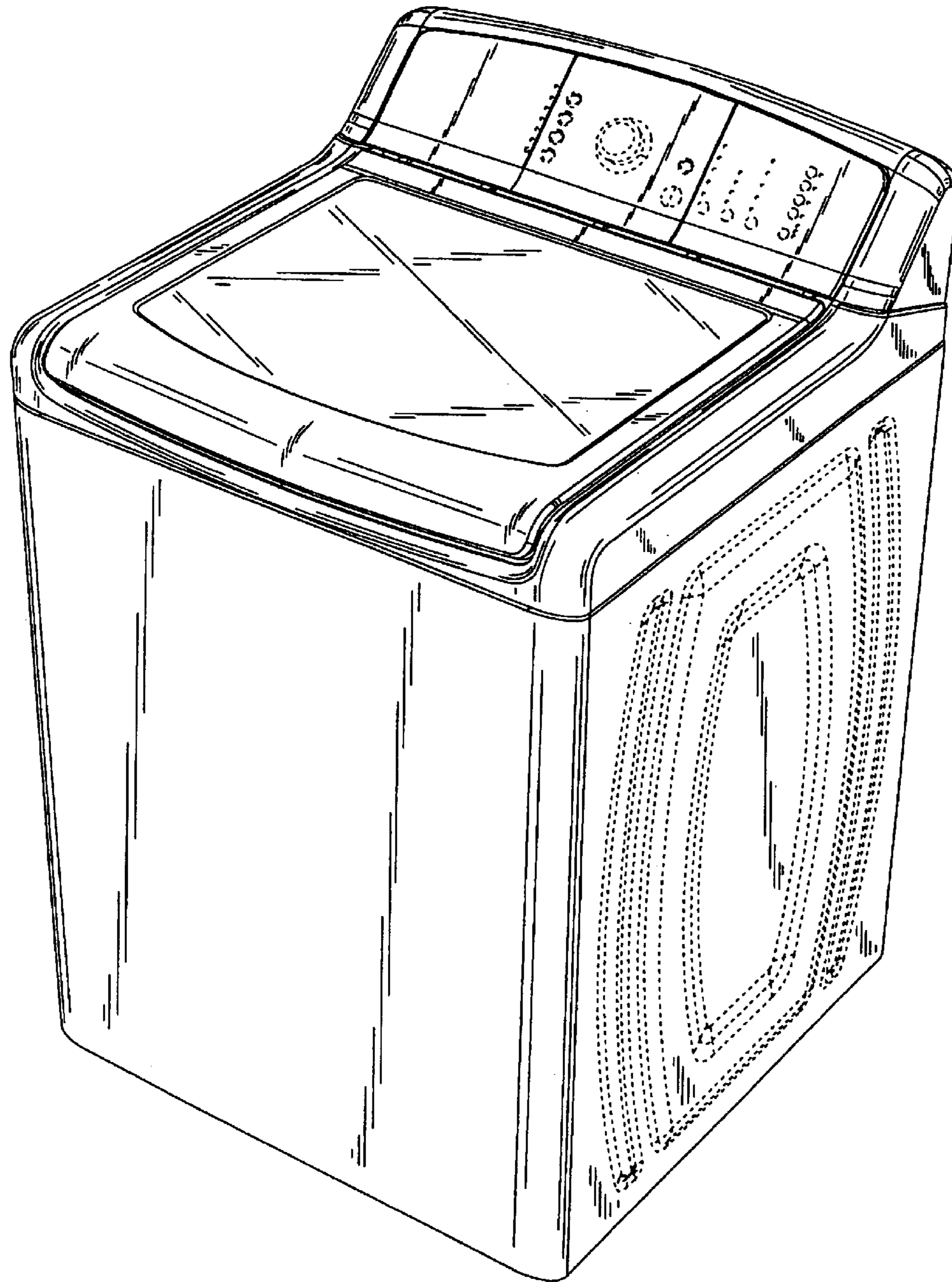


Fig. 5

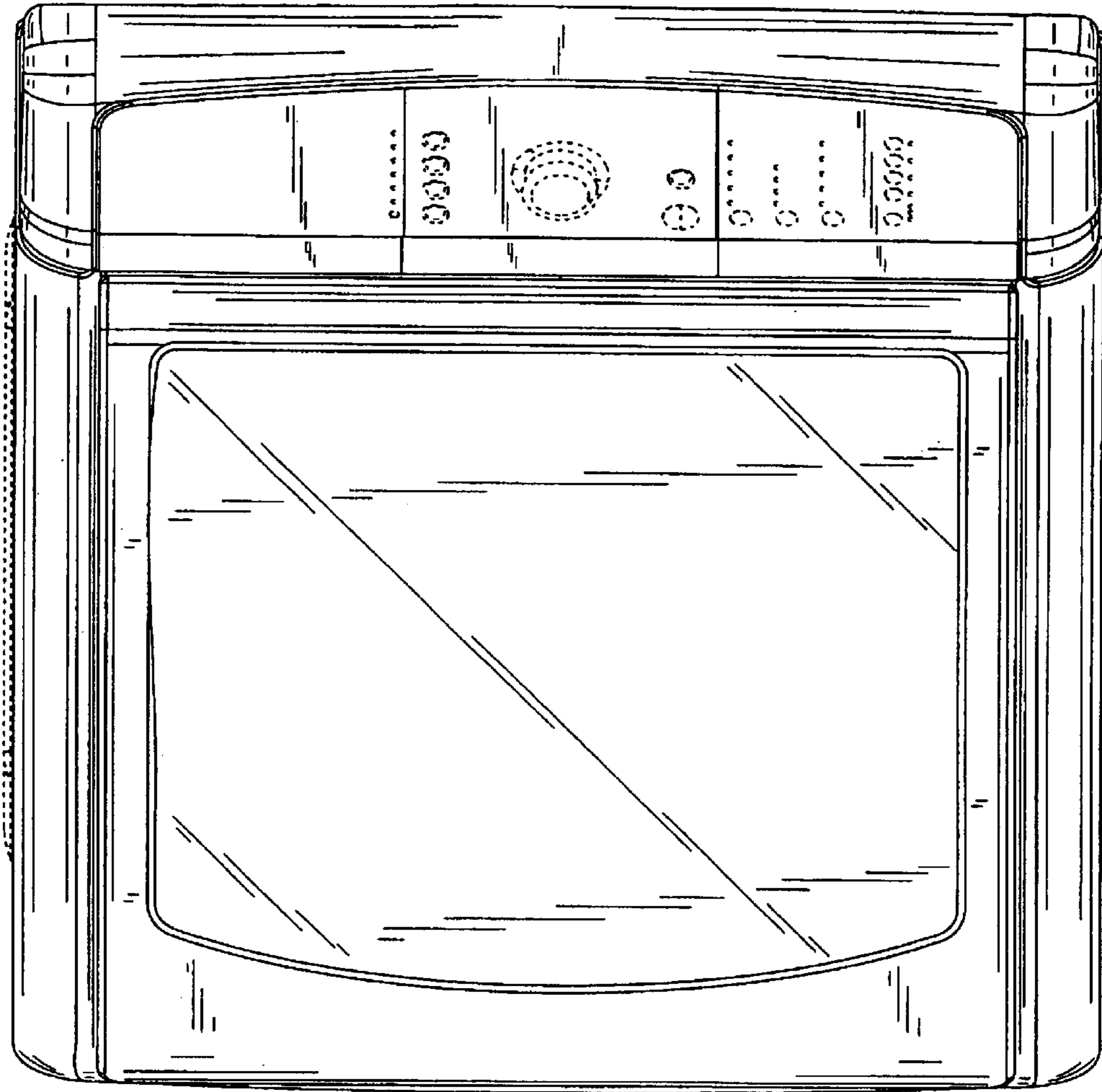


Fig. 6