



US00D538487S

(12) **United States Design Patent**  
**Amadio**

(10) **Patent No.:** **US D538,487 S**

(45) **Date of Patent:** **\*\* Mar. 13, 2007**

(54) **PORTABLE POWER SPRAYER FOR  
SPRAYING WAX ONTO VEHICLES**

6,279,838 B1 \* 8/2001 Sivells et al. .... 239/146  
2003/0192963 A1 \* 10/2003 Ebberts ..... 239/413

(76) Inventor: **Steven A. Amadio**, 724 Second Ave.,  
Galloway, NJ (US) 08205

\* cited by examiner

(\*\*) Term: **14 Years**

*Primary Examiner*—Louis S. Zarfes

*Assistant Examiner*—Kathleen Sims

(74) *Attorney, Agent, or Firm*—Norman E. Lehrer

(21) Appl. No.: **29/237,993**

(57) **CLAIM**

(22) Filed: **Sep. 9, 2005**

The ornamental design for a “portable power sprayer for spraying wax onto vehicles,” as shown and described.

(51) **LOC (8) Cl.** ..... **15-05**

(52) **U.S. Cl.** ..... **D32/4**

(58) **Field of Classification Search** ..... D32/1,  
D32/4, 15, 16, 25; 5/246; D34/5, 24, 27;  
15/320, 322; 417/360, 364; 239/146, 147,  
239/149; D15/7, 9; D23/223, 225, 226, 213  
See application file for complete search history.

**DESCRIPTION**

FIG. 1 is a front perspective view of a “portable power sprayer for spraying wax onto vehicles” showing my new design;

FIG. 2 is a top plan view thereof;

FIG. 3 is a front elevational view thereof;

FIG. 4 is a right side elevational view thereof;

FIG. 5 is a left side elevational view thereof;

FIG. 6 is a rear elevational view thereof;

FIG. 7 is a bottom plan view thereof; and,

FIG. 8 is a perspective view similar to FIG. 1 showing the manner in which the invention supports auxiliary items.

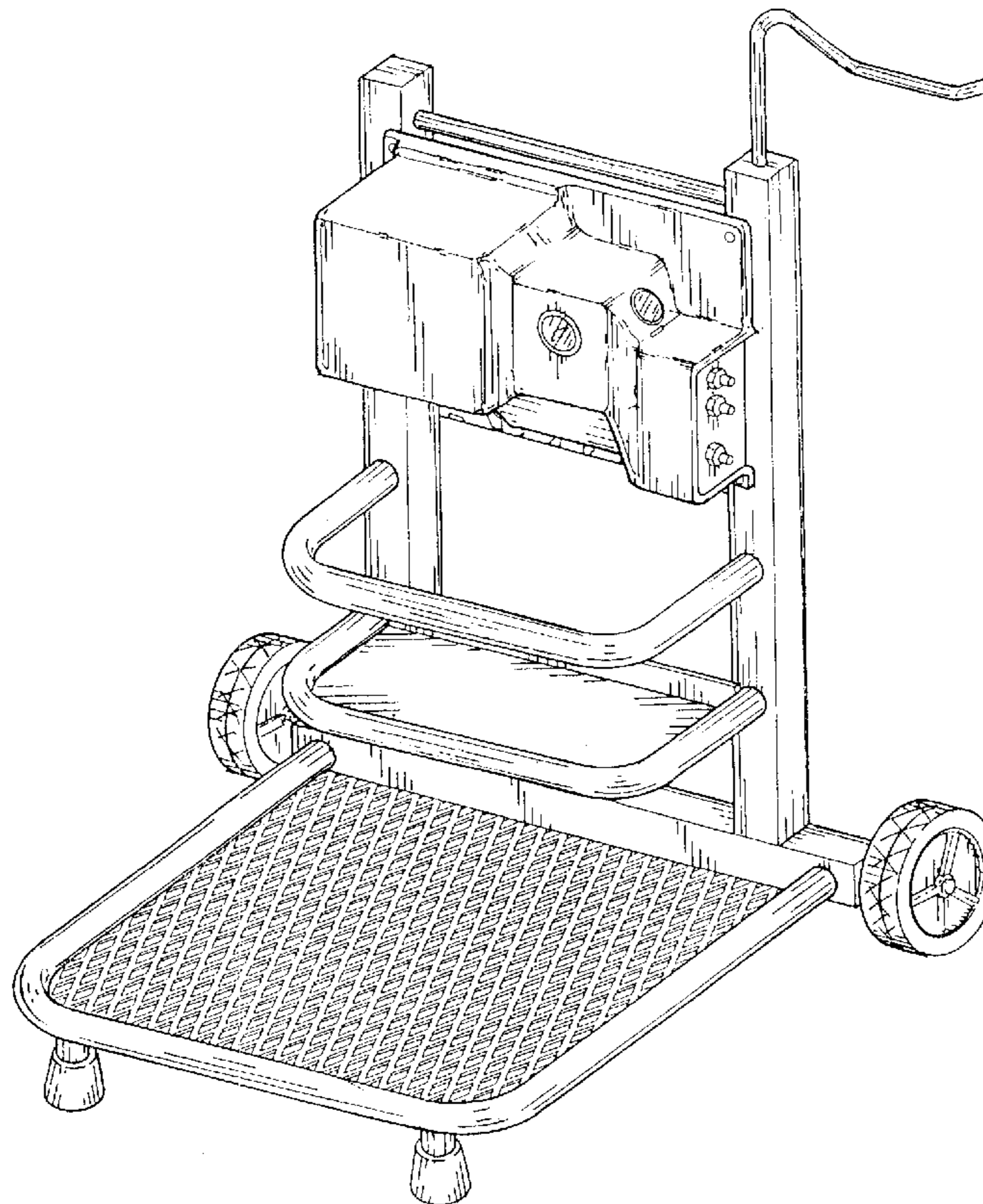
The matter shown in phantom in FIG. 8 is for environmental purposes only and does not form a part of the design.

(56) **References Cited**

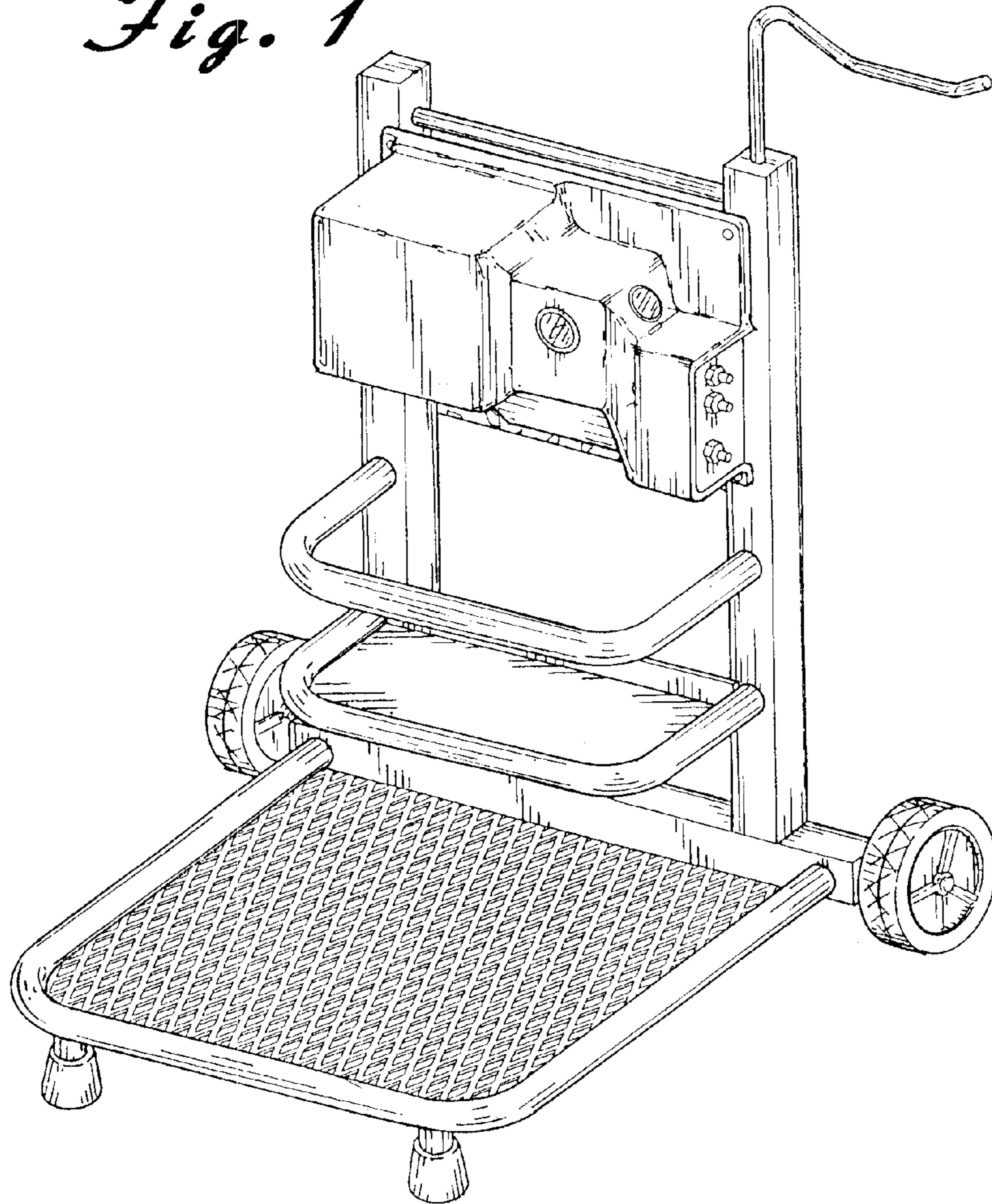
**U.S. PATENT DOCUMENTS**

D203,778 S	*	2/1966	Johannes	.....	D12/101
3,305,137 A	*	2/1967	Gauthier et al.	.....	222/136
D233,545 S	*	11/1974	Johns	.....	D32/16
4,588,318 A	*	5/1986	O'Brien et al.	.....	401/146
5,213,480 A	*	5/1993	Yedinak et al.	.....	417/234
5,217,238 A	*	6/1993	Cyphers et al.	.....	280/47.18
5,695,121 A	*	12/1997	Stillions et al.	.....	239/126

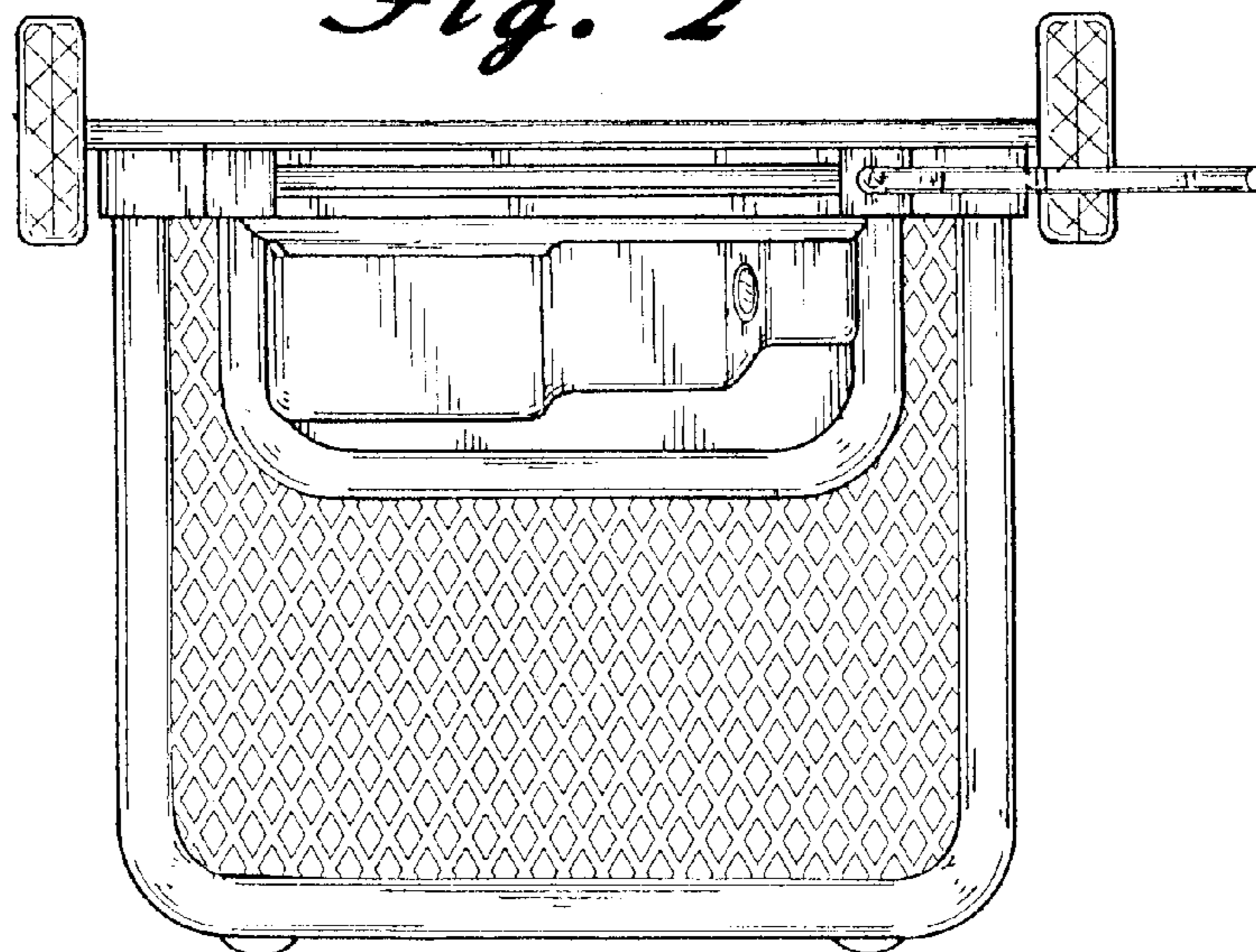
**1 Claim, 4 Drawing Sheets**



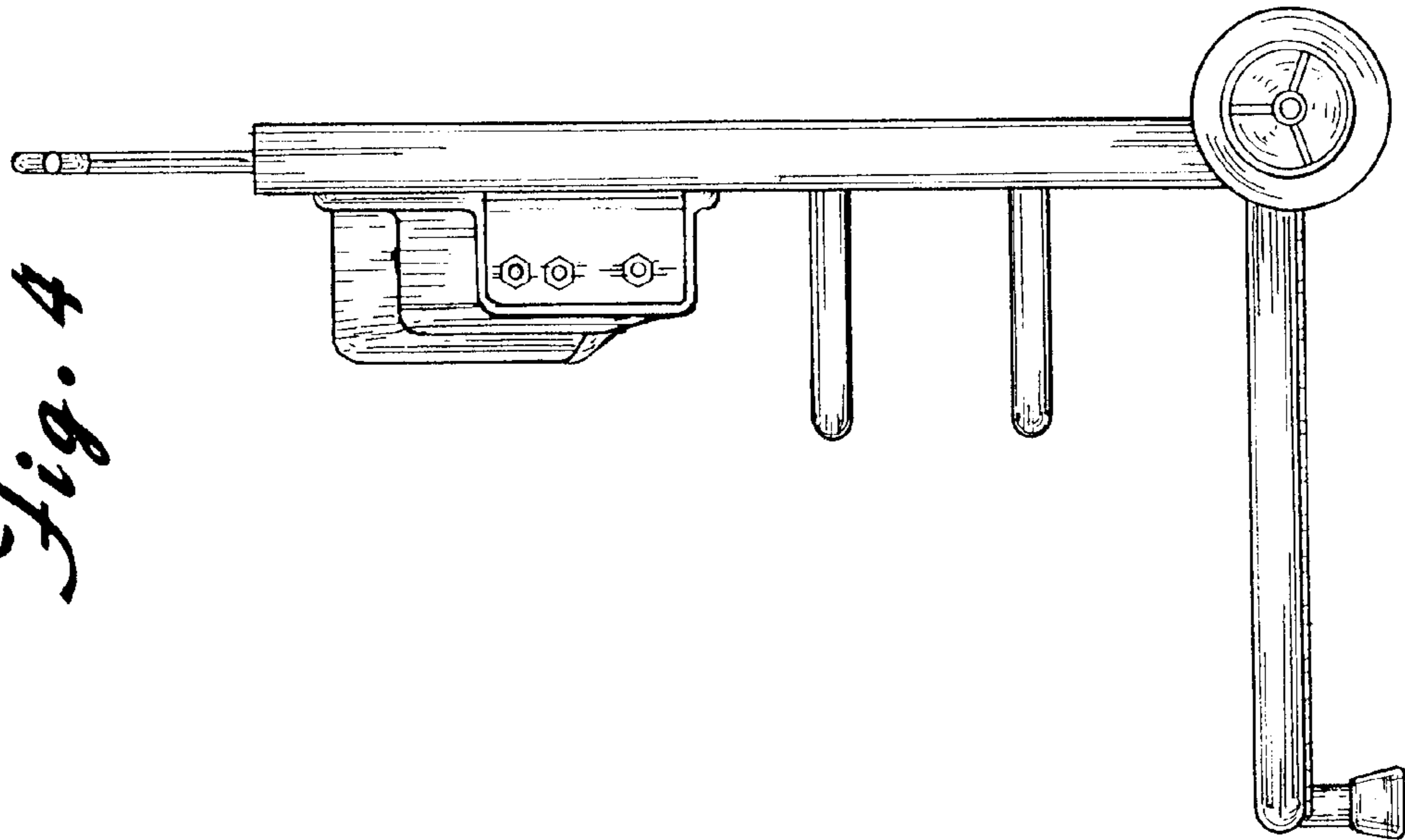
*Fig. 1*



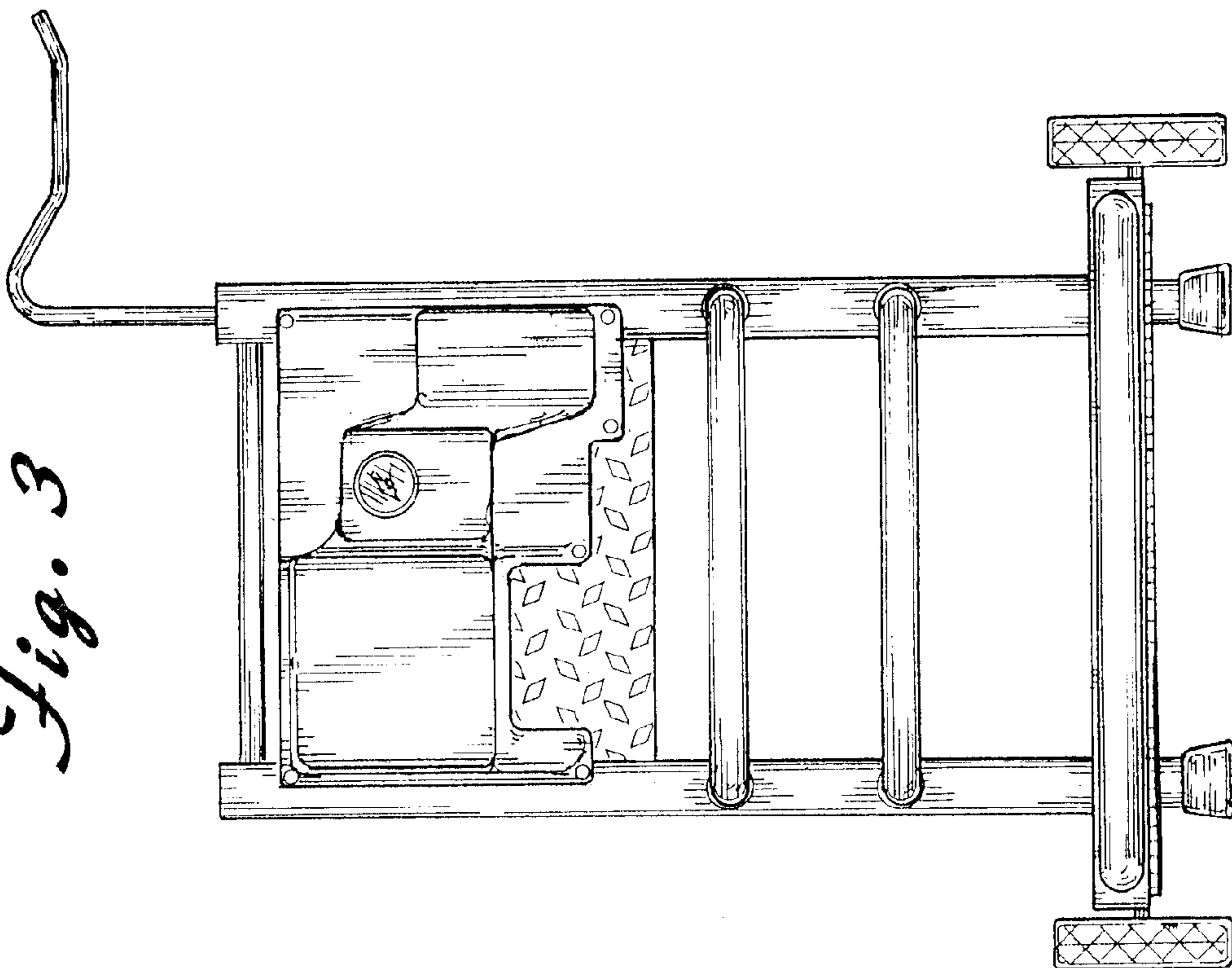
*Fig. 2*



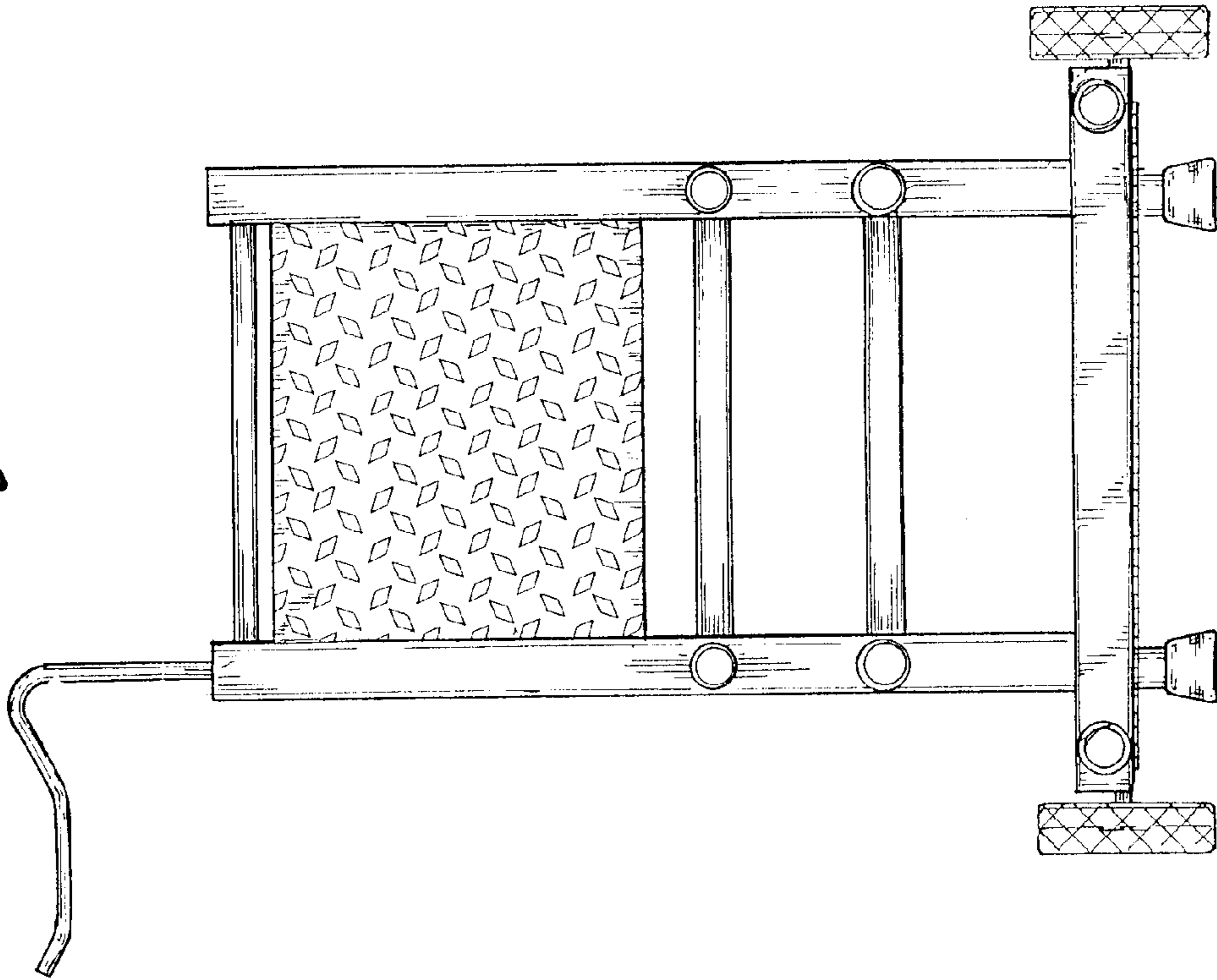
*Fig. 4*



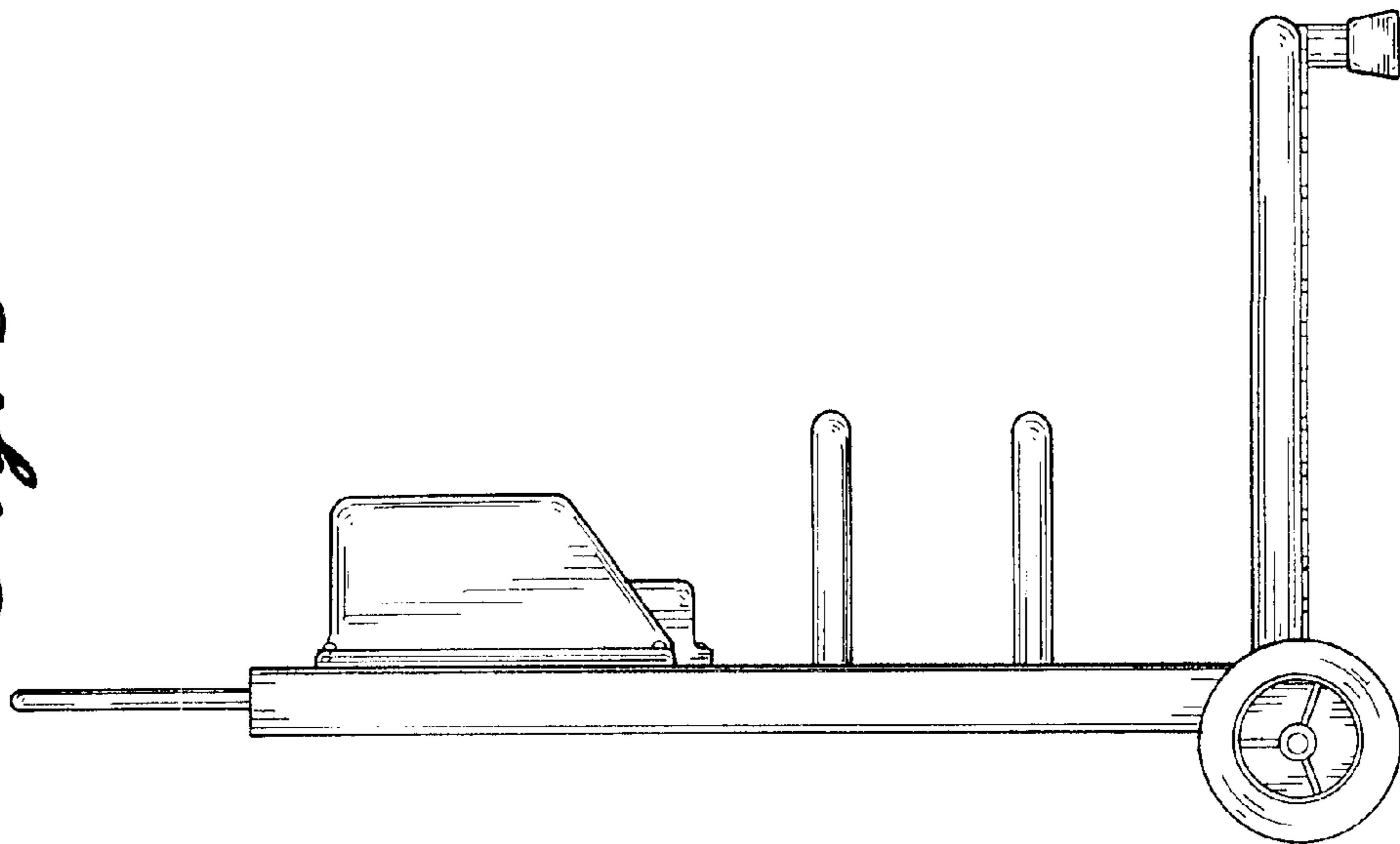
*Fig. 3*



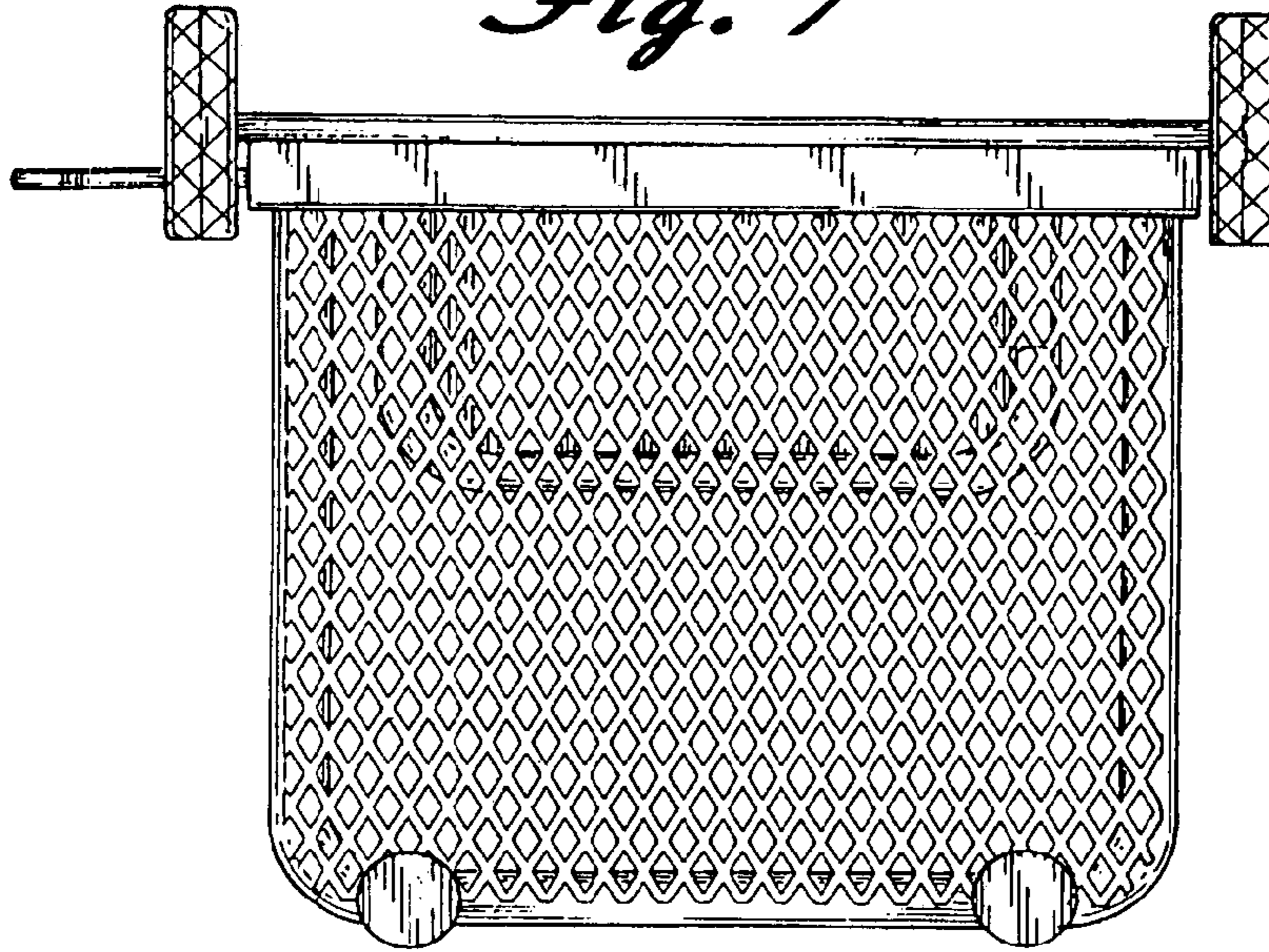
*Fig. 6*



*Fig. 5*



*Fig. 7*



*Fig. 8*

