



US00D538479S

(12) **United States Design Patent**
Martinez

(10) **Patent No.:** **US D538,479 S**

(45) **Date of Patent:** **** Mar. 13, 2007**

(54) **CAP**

(75) Inventor: **Sabine Martinez**, New York, NY (US)

(73) Assignee: **L'Oreal USA Creative Inc.**, New York, NY (US)

(**) Term: **14 Years**

(21) Appl. No.: **29/224,803**

(22) Filed: **Mar. 7, 2005**

(51) **LOC (8) Cl.** **28-03**

(52) **U.S. Cl.** **D28/88**; D9/454

(58) **Field of Classification Search** D28/76,
D28/77, 85-90; D9/503-505, 529, 454; 401/68-79;
206/385, 823; 132/317, 318, 320
See application file for complete search history.

(56) **References Cited**

U.S. PATENT DOCUMENTS

D268,097 S	3/1983	Thompson	
D368,554 S	* 4/1996	Fiore D28/85
D410,570 S	6/1999	Lerolle	
D416,357 S	11/1999	Gobe	
D418,253 S	* 12/1999	Bakic D28/76
D425,256 S	5/2000	Gavin	

D432,725 S	10/2000	Gavin	
D467,391 S	12/2002	Orsomando	
D468,060 S	12/2002	Orsomando	
D472,812 S	4/2003	Lerolle	
D483,155 S	12/2003	Orsomando	
D518,239 S	* 3/2006	Martinez D28/76

* cited by examiner

Primary Examiner—Jennifer Rivard

(74) *Attorney, Agent, or Firm*—Baker Botts L.L.P.

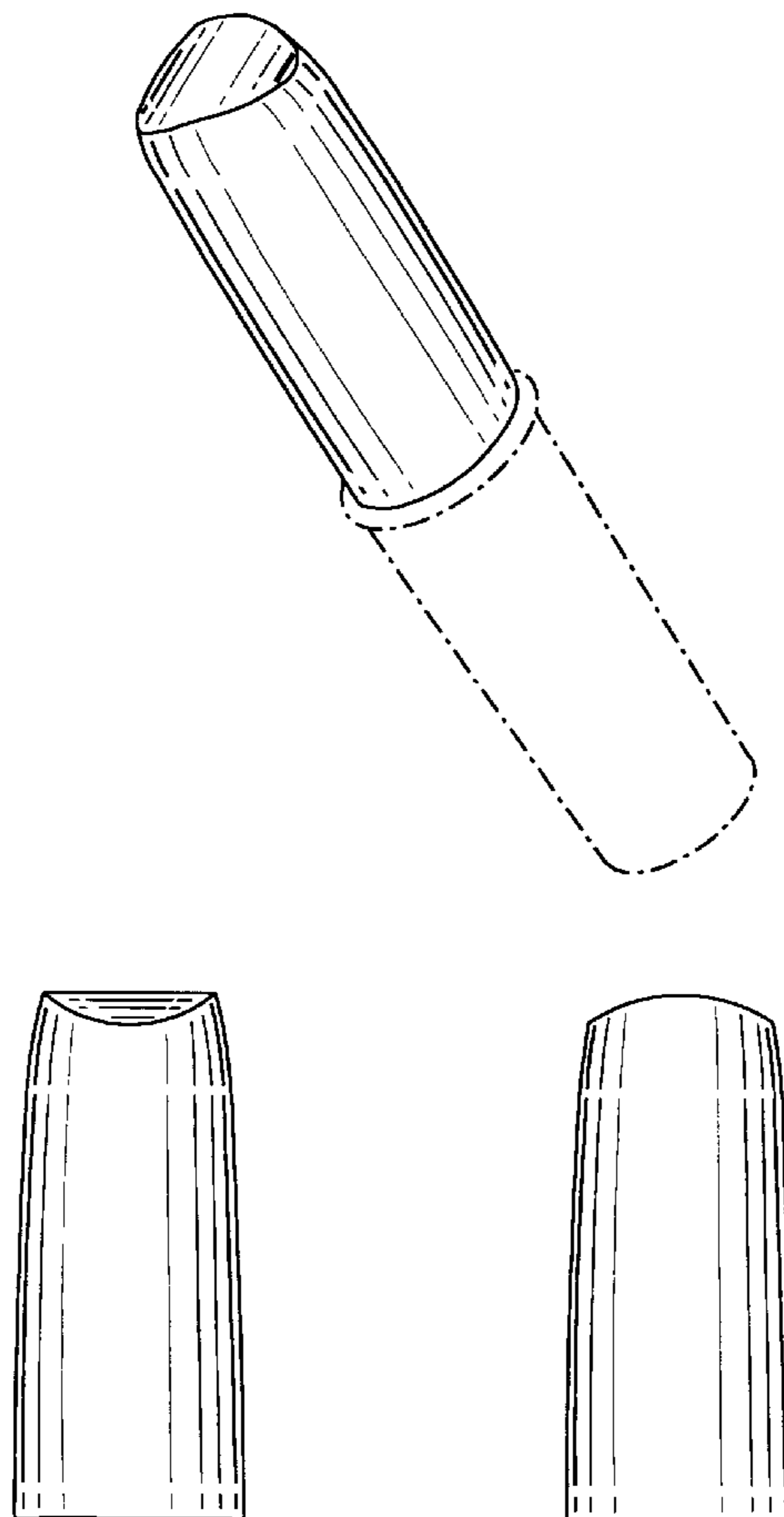
(57) **CLAIM**

I claim the ornamental design for the cap, as shown and described.

DESCRIPTION

FIG. 1 is a three-dimensional perspective view of the cap; FIG. 2 is a front view of the cap; FIG. 3 is a back view of the cap; FIG. 4 is a top view of the cap; FIG. 5 is a bottom view of the cap; and, FIG. 6 is a perspective view of the cap. The broken line showing of the lipstick body is included for the purpose of illustrating portions of the article and forms no part of the claimed design.

1 Claim, 1 Drawing Sheet



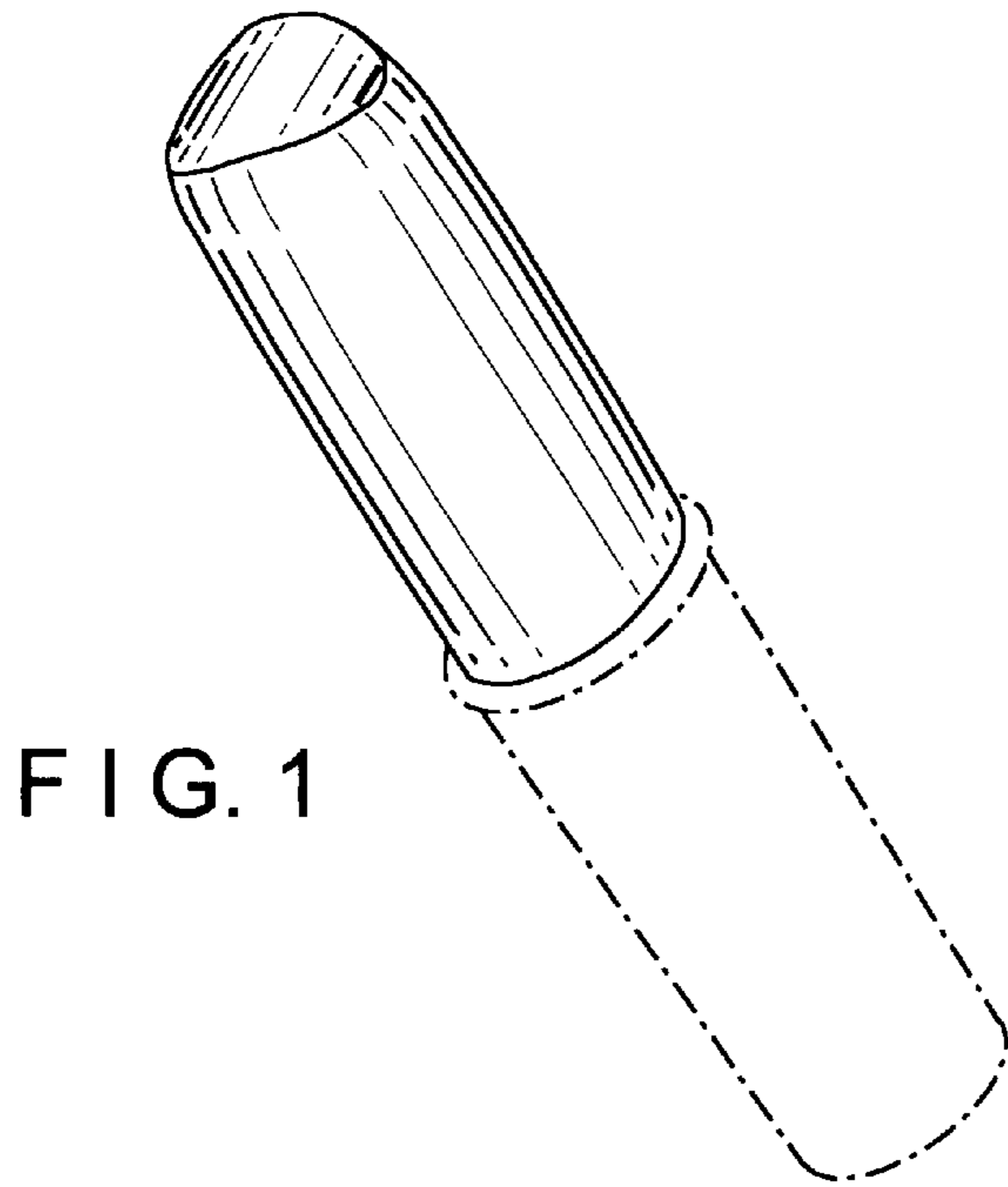


FIG. 1

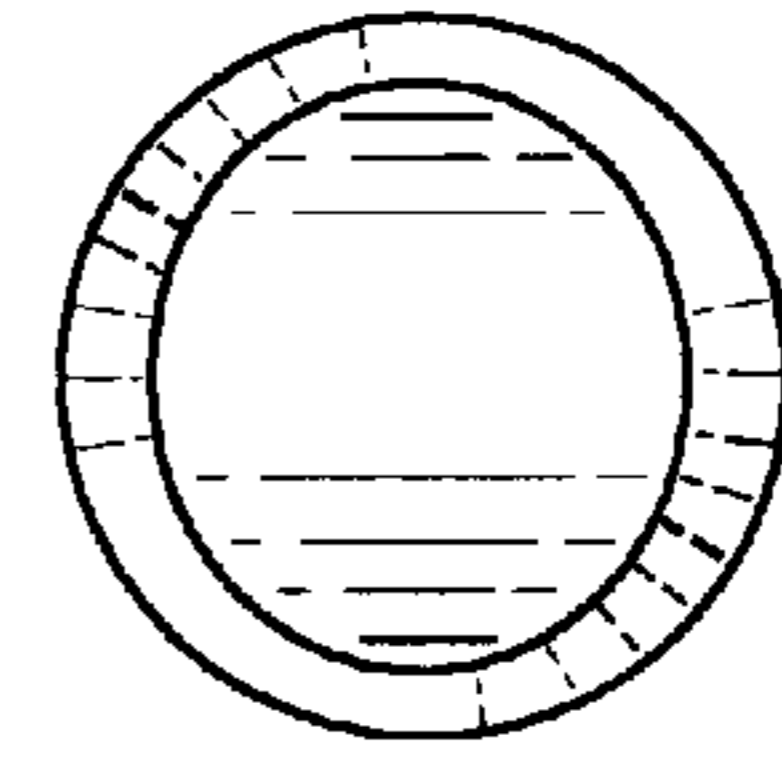


FIG. 4

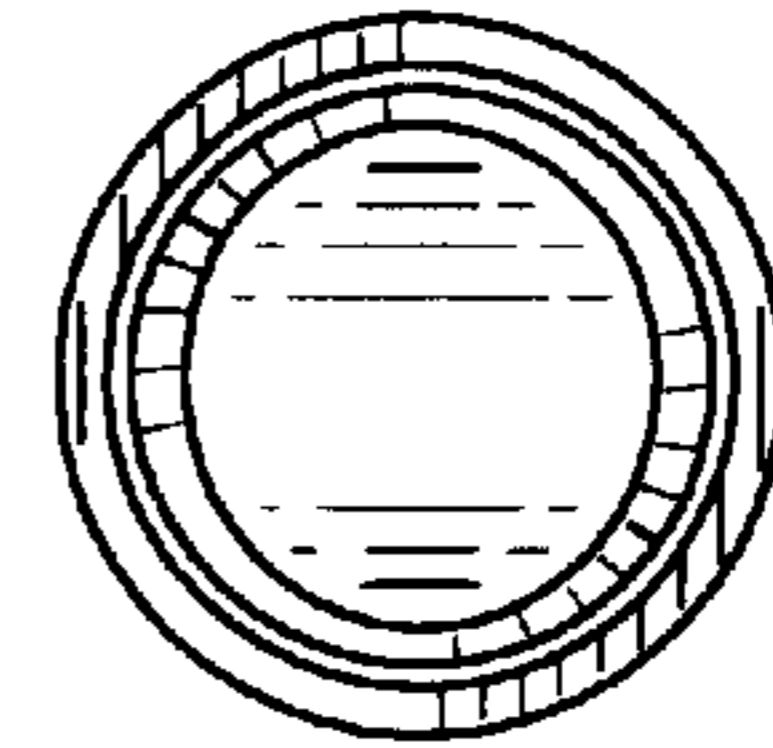


FIG. 5

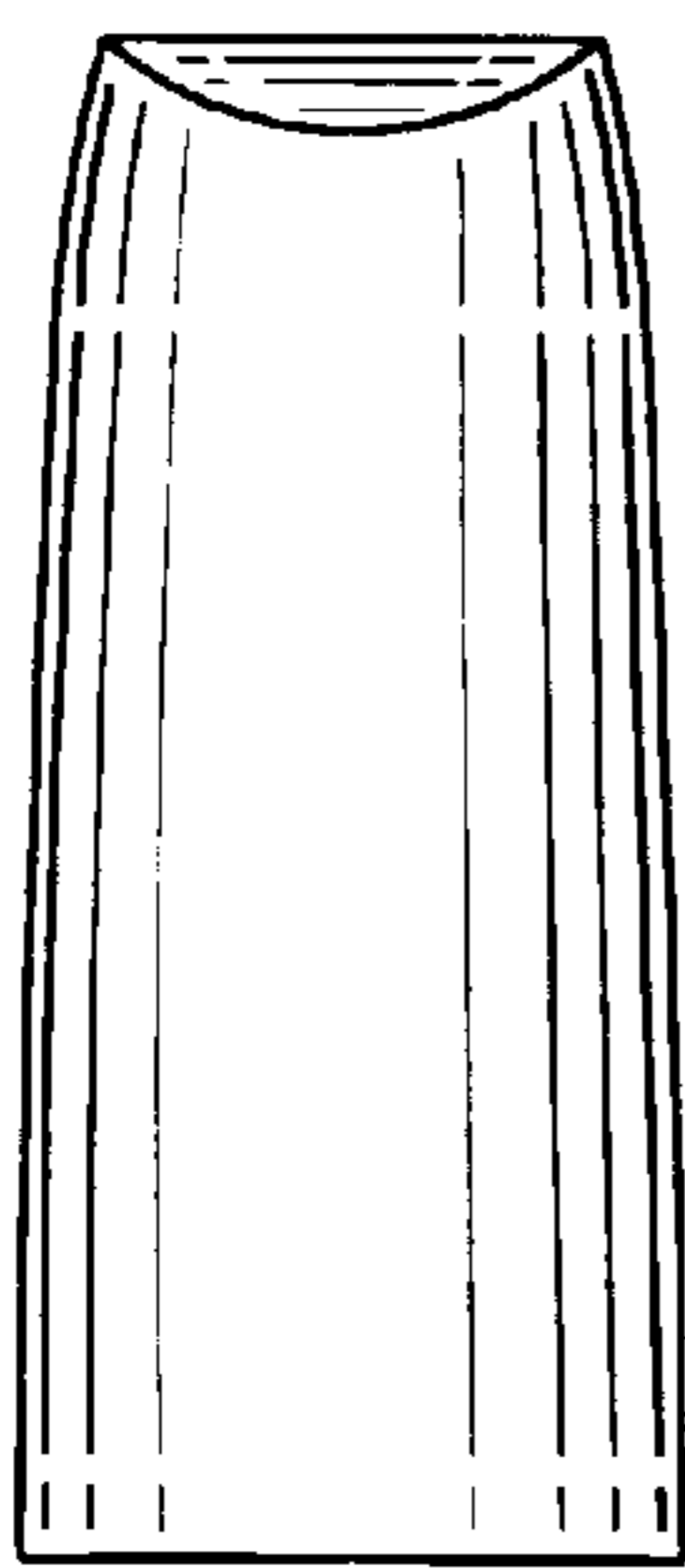


FIG. 2

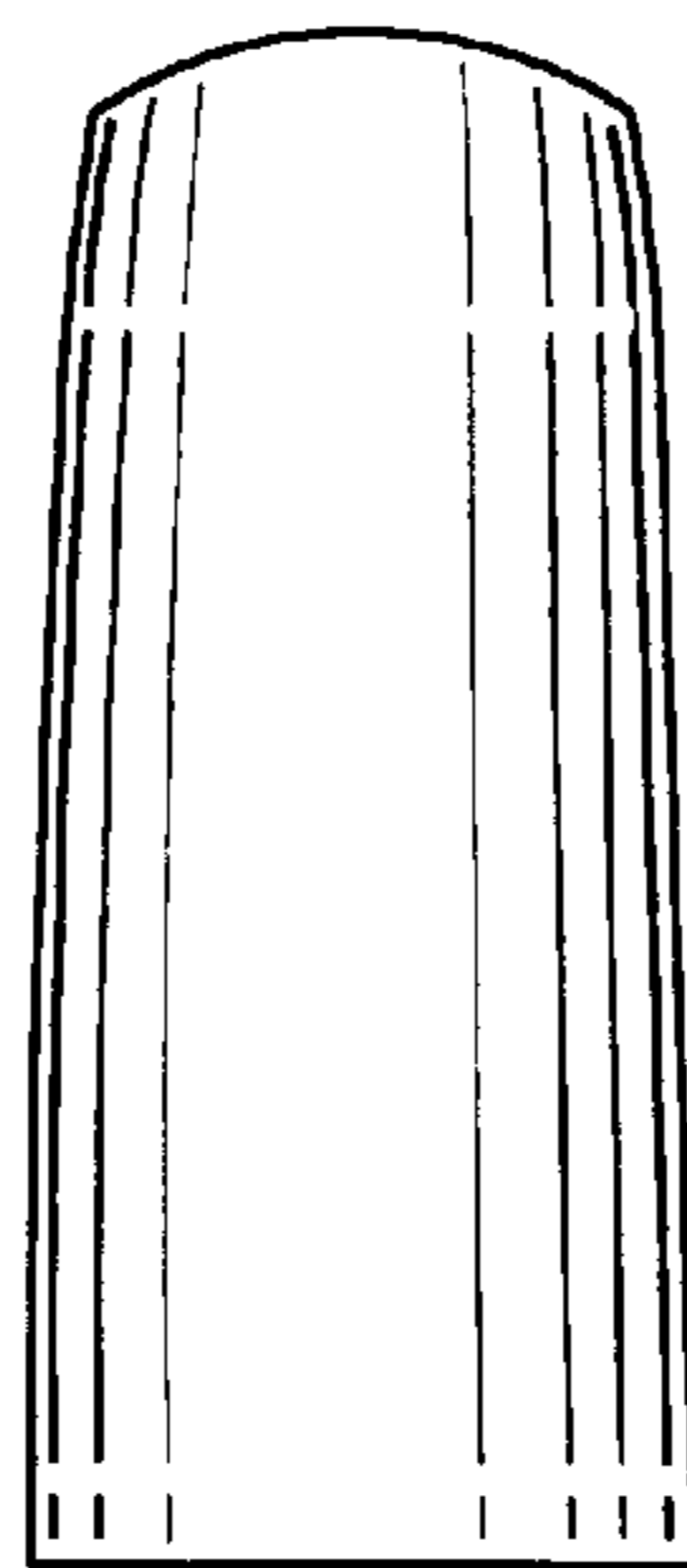


FIG. 3

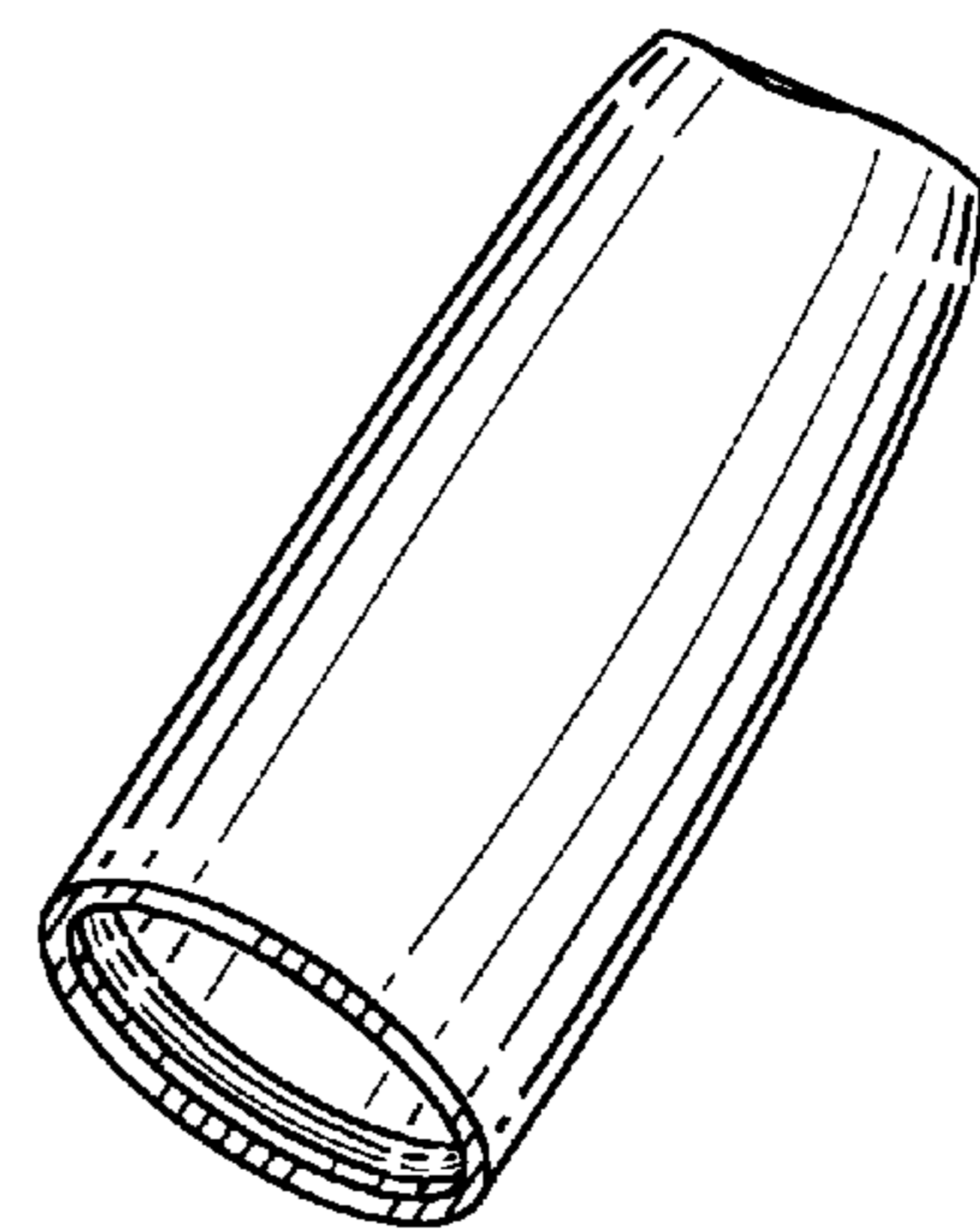


FIG. 6