



US00D538476S

(12) **United States Design Patent**
Laube

(10) **Patent No.:** **US D538,476 S**

(45) **Date of Patent:** **** Mar. 13, 2007**

(54) **HAIR CLIPPER HOUSING**

(76) Inventor: **Kim Laube**, 537 Calle Yucca St.,
Thousand Oaks, CA (US) 91360

(**) Term: **14 Years**

(21) Appl. No.: **29/237,372**

(22) Filed: **Aug. 29, 2005**

(51) **LOC (8) Cl.** **28-03**

(52) **U.S. Cl.** **D28/54**

(58) **Field of Classification Search** D28/44,
D28/44.1, 45-54; 30/32, 34.05, 34.1, 34.2,
30/43-43.92, 44, 45, 526, 527, 196, 200,
30/201, 210, 233, 233.5

See application file for complete search history.

(56) **References Cited**

U.S. PATENT DOCUMENTS

D310,734 S * 9/1990 Gallanis D28/53
D405,924 S * 2/1999 Lebherz D28/53

D455,864 S * 4/2002 Rizzuto et al. D28/53
D464,466 S * 10/2002 Rizzuto et al. D28/53
D466,650 S * 12/2002 Muller et al. D28/53

* cited by examiner

Primary Examiner—Jennifer Rivard

(74) *Attorney, Agent, or Firm*—Dennis W. Beech

(57) **CLAIM**

The ornamental design for a hair clipper housing, as shown and described.

DESCRIPTION

FIG. 1 is a side view of the hair clipper housing showing my new design;

FIG. 2 is a top view of the invention thereof;

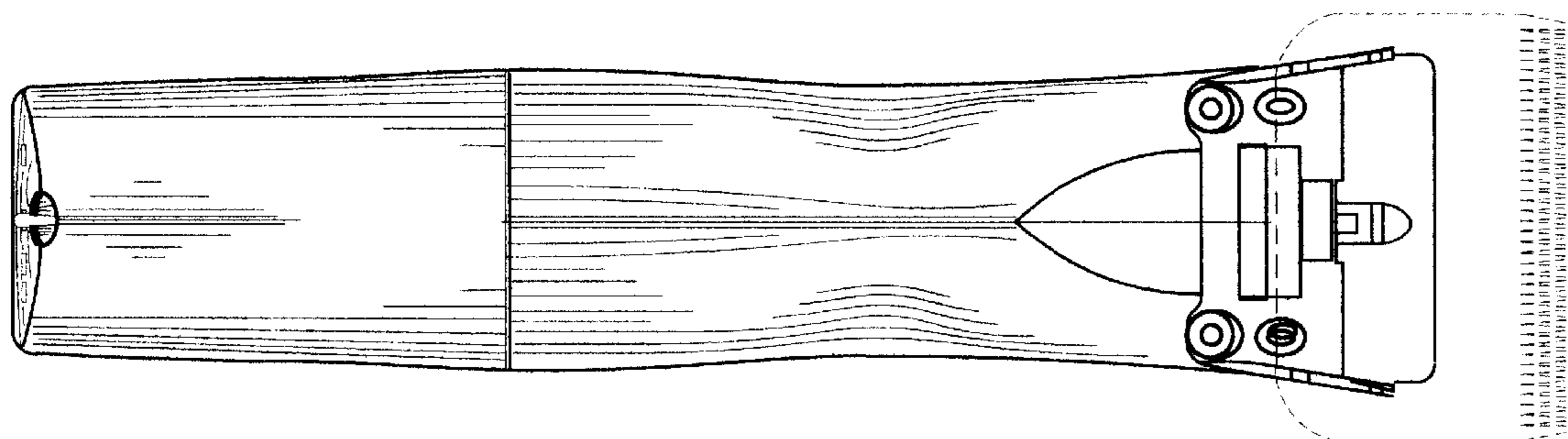
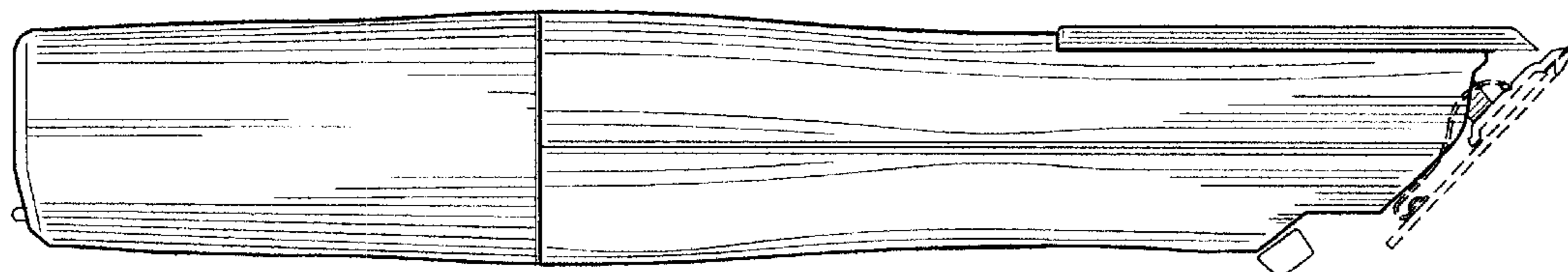
FIG. 3 is a bottom view thereof;

FIG. 4 is a side view thereof;

FIG. 5 is an enlarged front view thereof; and,

FIG. 6 is an enlarged rear view thereof.

1 Claim, 2 Drawing Sheets



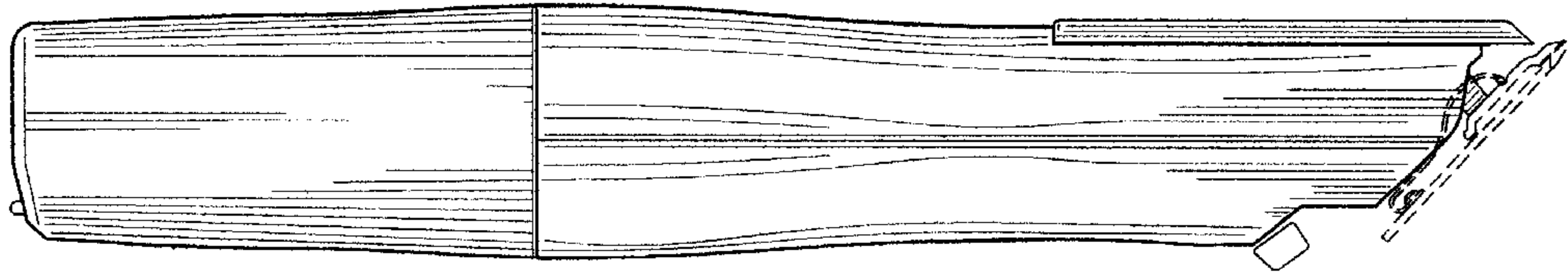


FIG. 1

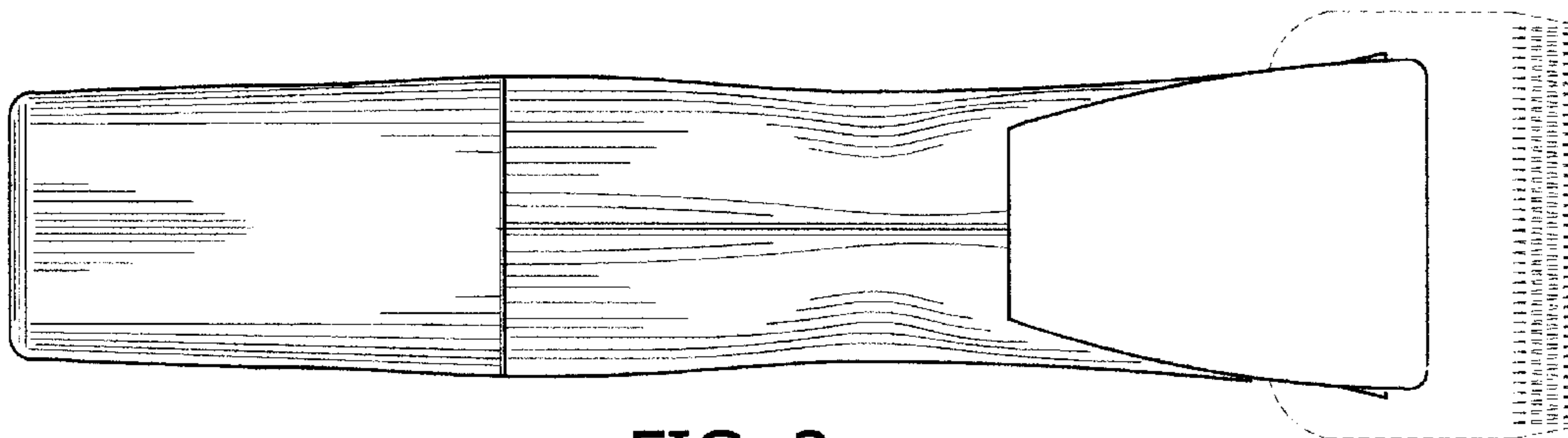


FIG. 2

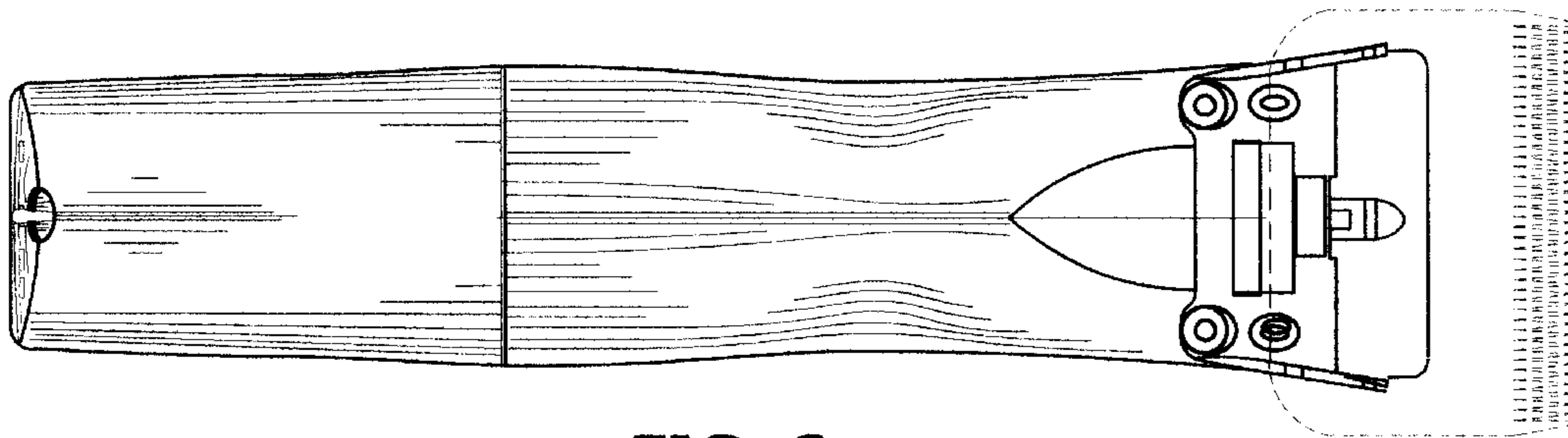


FIG. 3

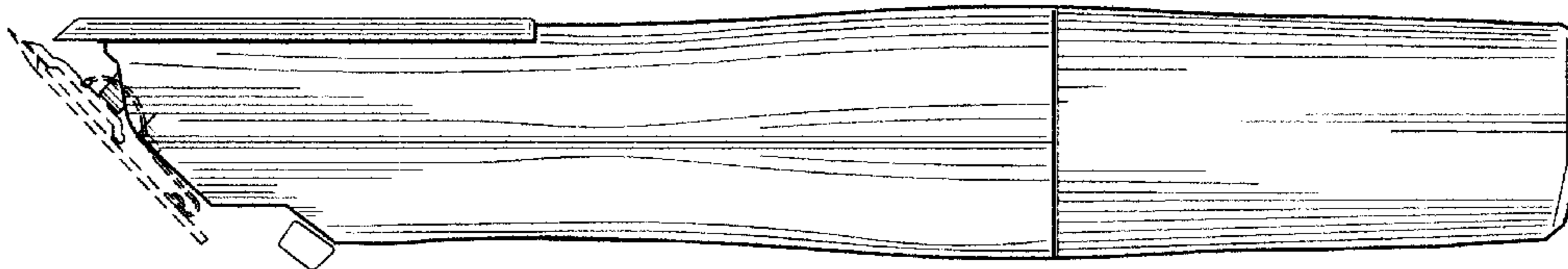


FIG. 4

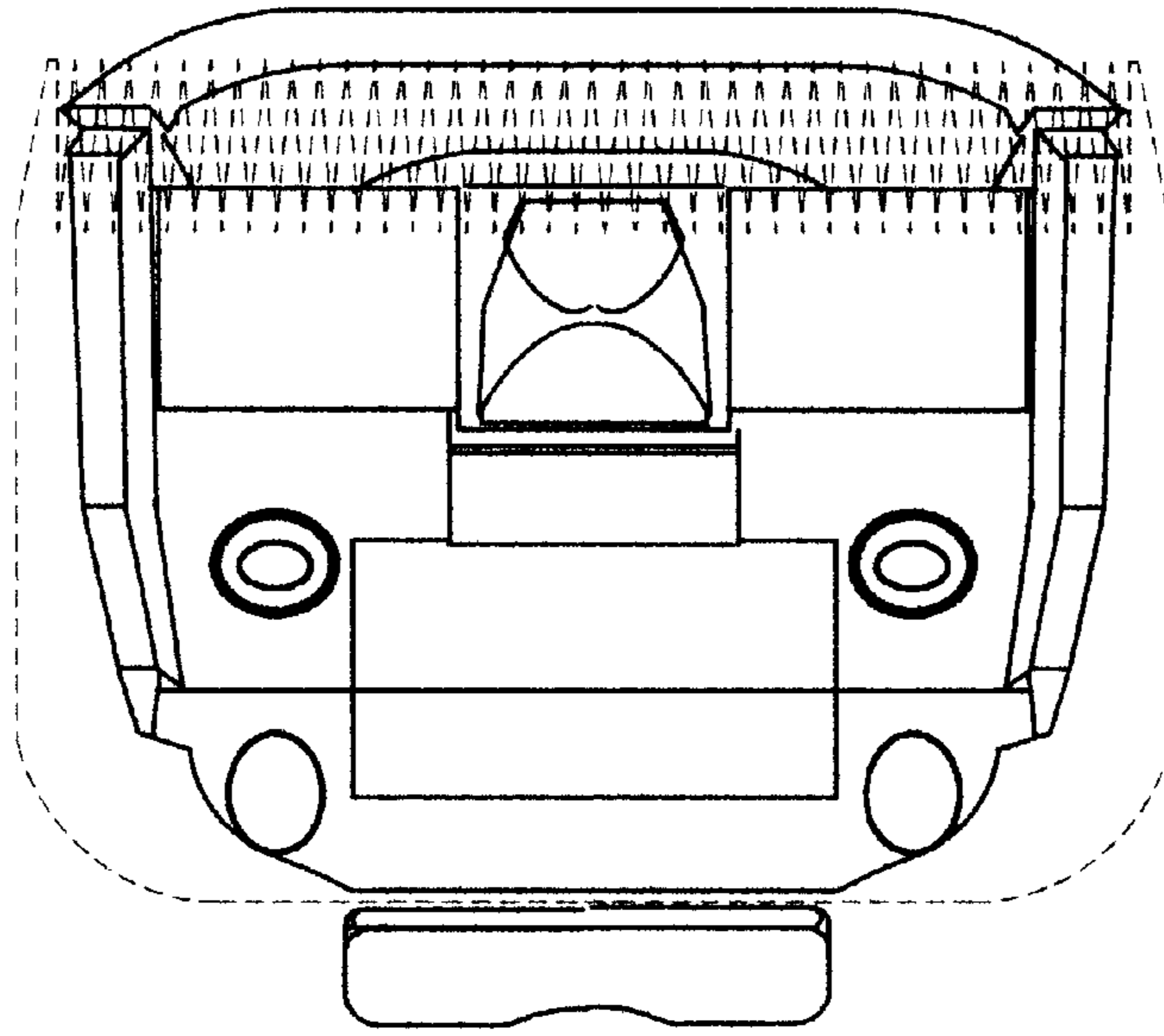


FIG. 5

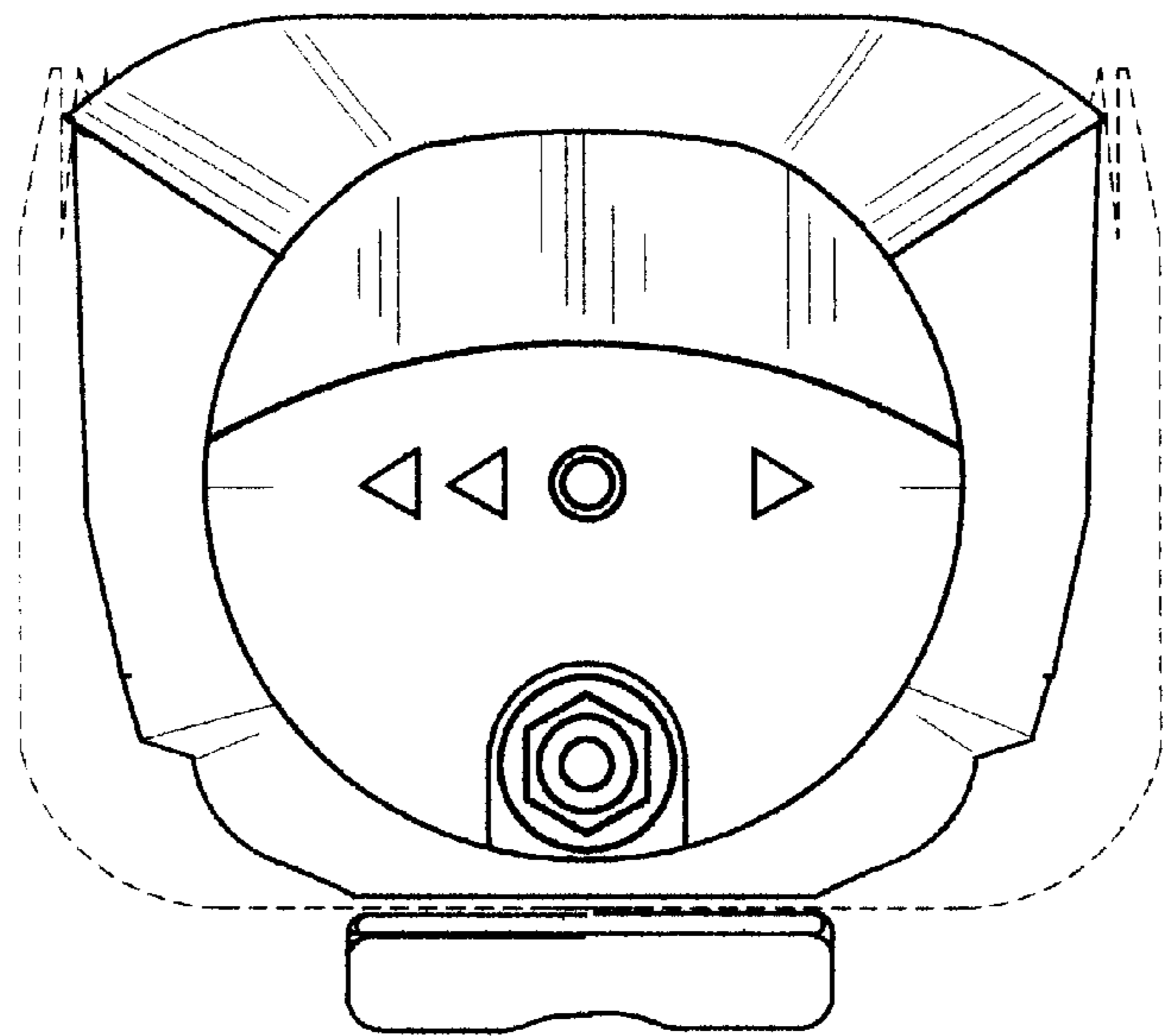


FIG. 6