



US00D538475S

(12) **United States Design Patent**
Kim

(10) **Patent No.:** **US D538,475 S**

(45) **Date of Patent:** **** Mar. 13, 2007**

(54) **HAIR DRIER**

(75) Inventor: **Tai-Cheul Kim**, Seoul (KR)

(73) Assignee: **K.I.C.A. Co., Ltd.**, Seoul (KR)

(**) Term: **14 Years**

(21) Appl. No.: **29/231,909**

(22) Filed: **Jun. 9, 2005**

(51) **LOC (8) Cl.** **28-03**

(52) **U.S. Cl.** **D28/13**

(58) **Field of Classification Search** D28/12-19;
34/96-101; 392/380, 381, 382, 383, 384,
392/385; 219/222; D14/402, 408

See application file for complete search history.

(56) **References Cited**

U.S. PATENT DOCUMENTS

3,397,463	A	*	8/1968	Laing	34/97
D256,281	S	*	8/1980	Rosse	D28/13
D383,874	S	*	9/1997	Rizzuto	D28/18
D392,413	S	*	3/1998	Gudefin	D28/18
D407,848	S	*	4/1999	Celik	D28/15
D462,141	S	*	8/2002	Carlucci et al.	D28/18
D477,112	S	*	7/2003	Yeung	D28/18

D493,172	S	*	7/2004	Chen	D14/402
D494,972	S	*	8/2004	Chen	D14/402
D510,353	S	*	10/2005	Fisher et al.	D14/402

* cited by examiner

Primary Examiner—Janice Seeger

Assistant Examiner—Zenia I. Bennett

(74) *Attorney, Agent, or Firm*—Jones Day

(57) **CLAIM**

The ornamental design for a hair drier, as shown and described.

DESCRIPTION

FIG. 1 is a perspective view of a hairdrier, showing my new design;

FIG. 2 is a front elevational view;

FIG. 3 is a rear elevational view;

FIG. 4 is a left side view;

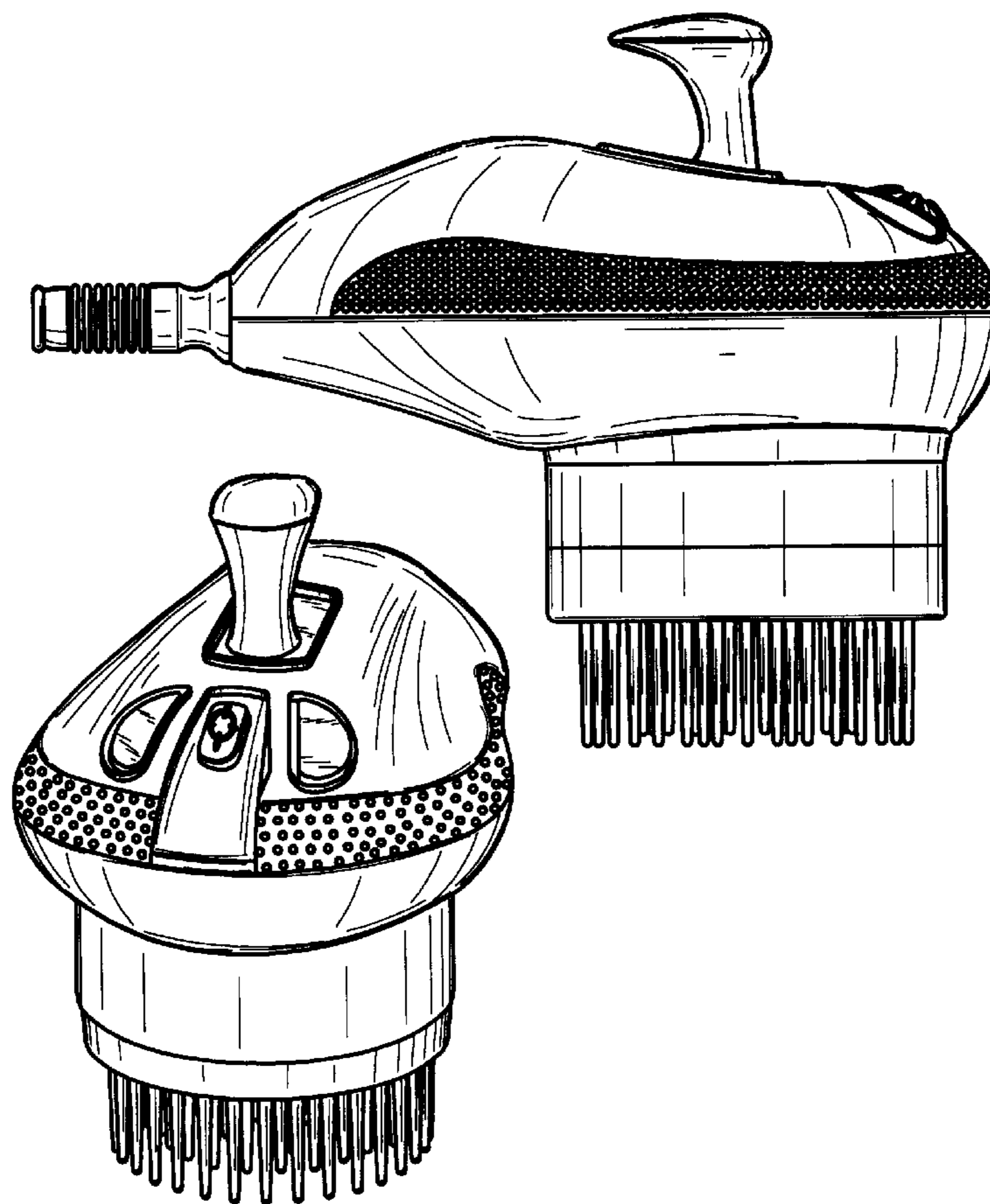
FIG. 5 is a right side view;

FIG. 6 is a top plan view;

FIG. 7 is a bottom plan view; and,

FIG. 8 is a perspective view, showing my design in exploded condition.

1 Claim, 3 Drawing Sheets



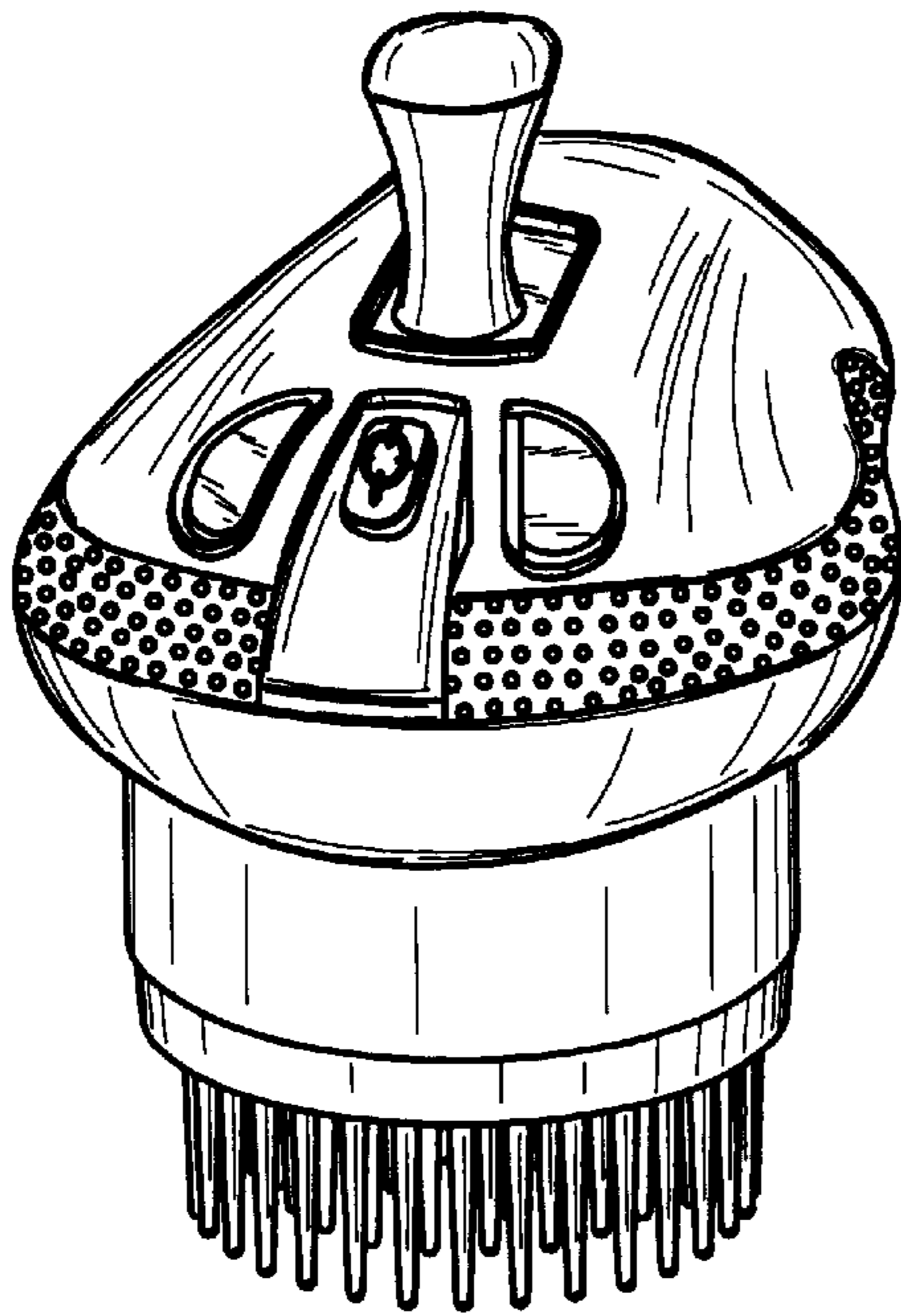


FIG. 1

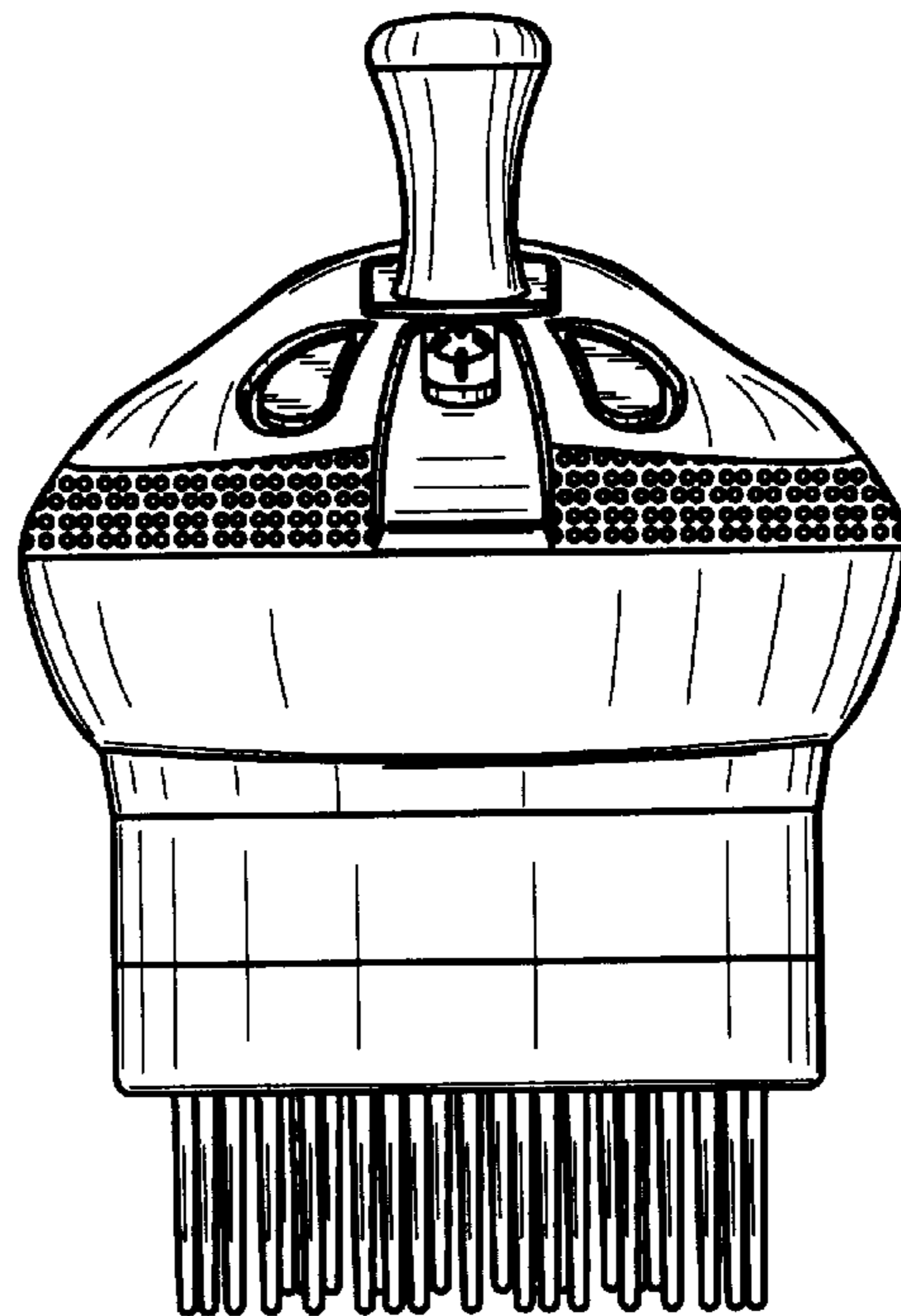


FIG. 2

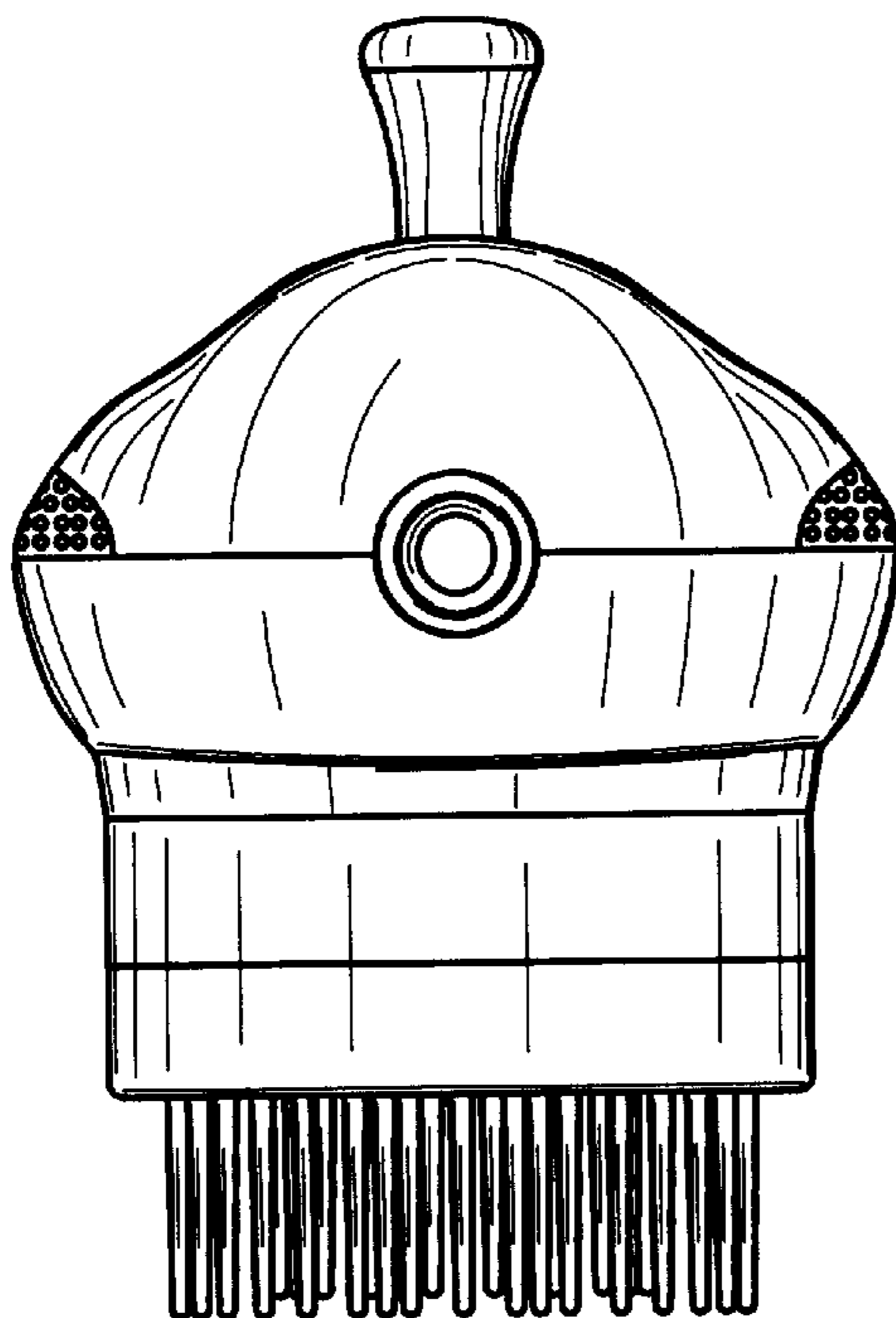


FIG. 3

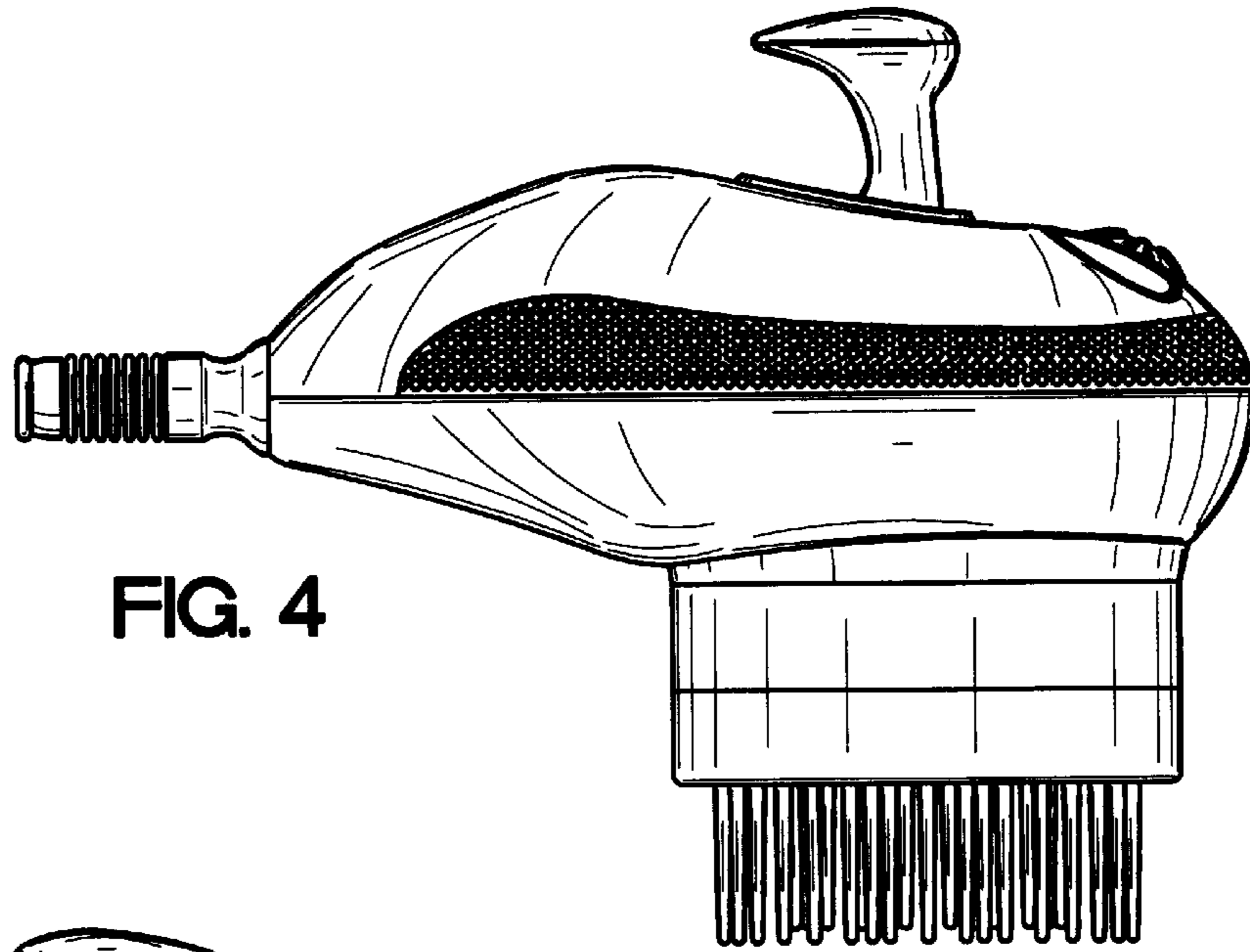


FIG. 4

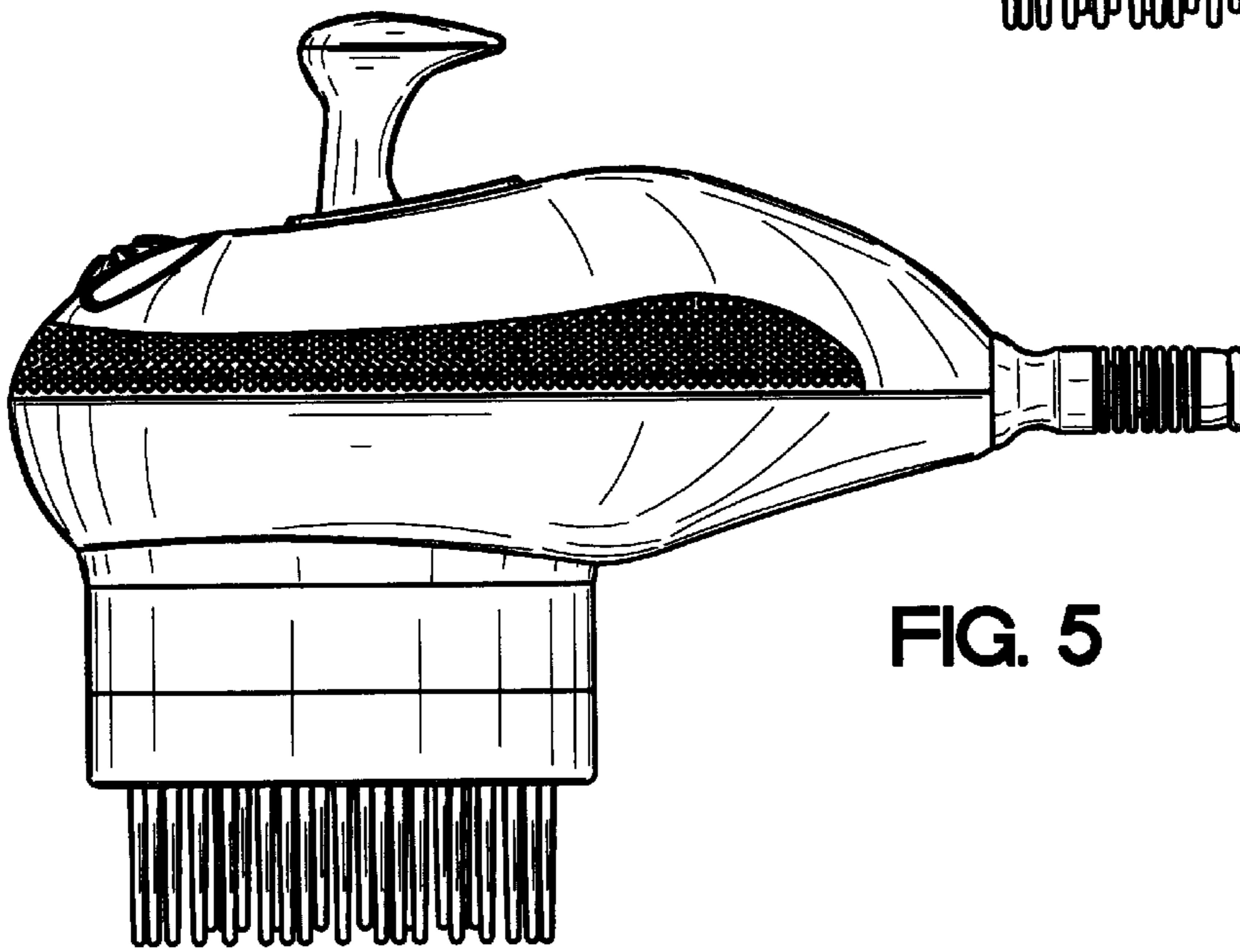


FIG. 5

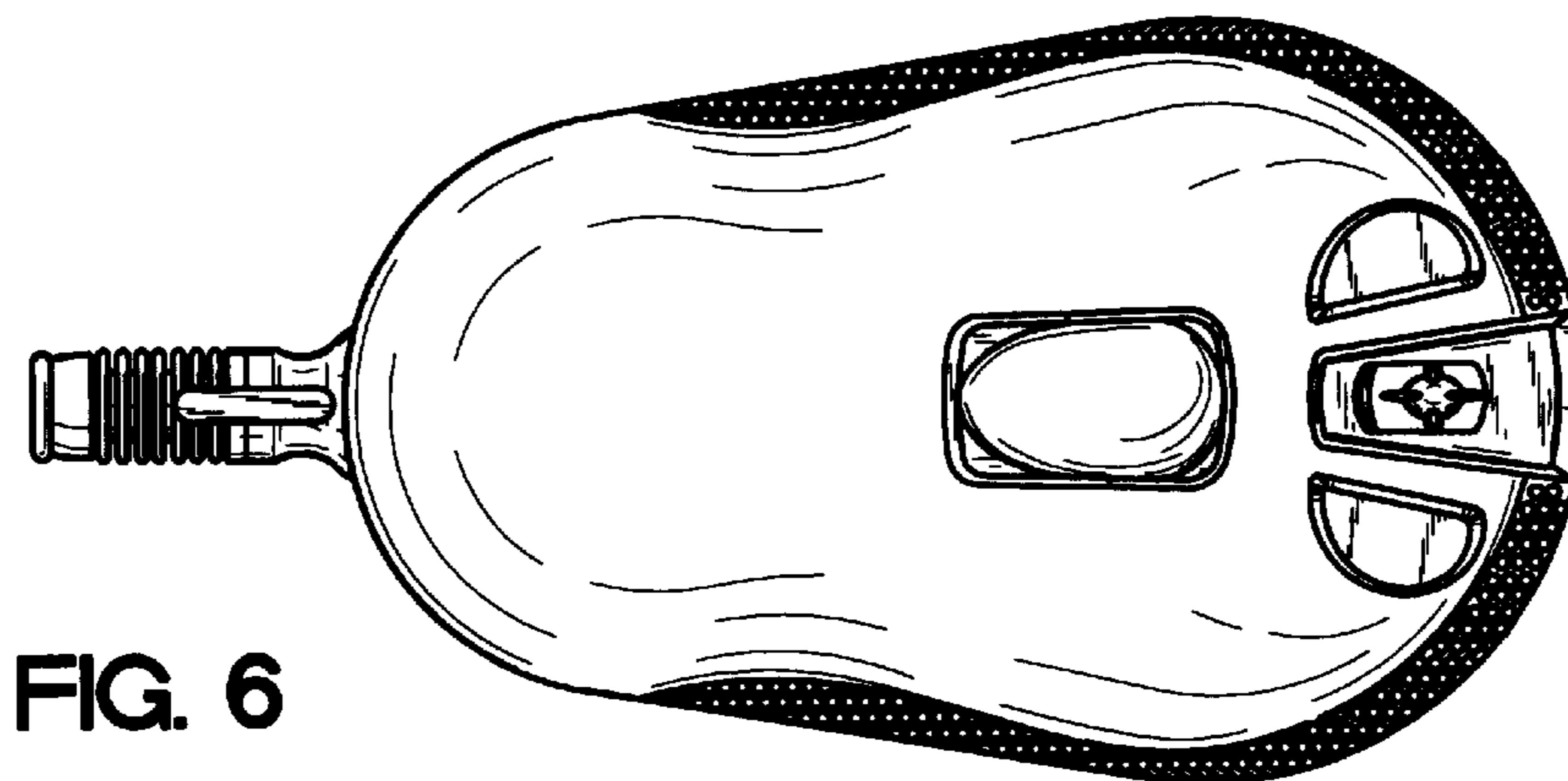


FIG. 6

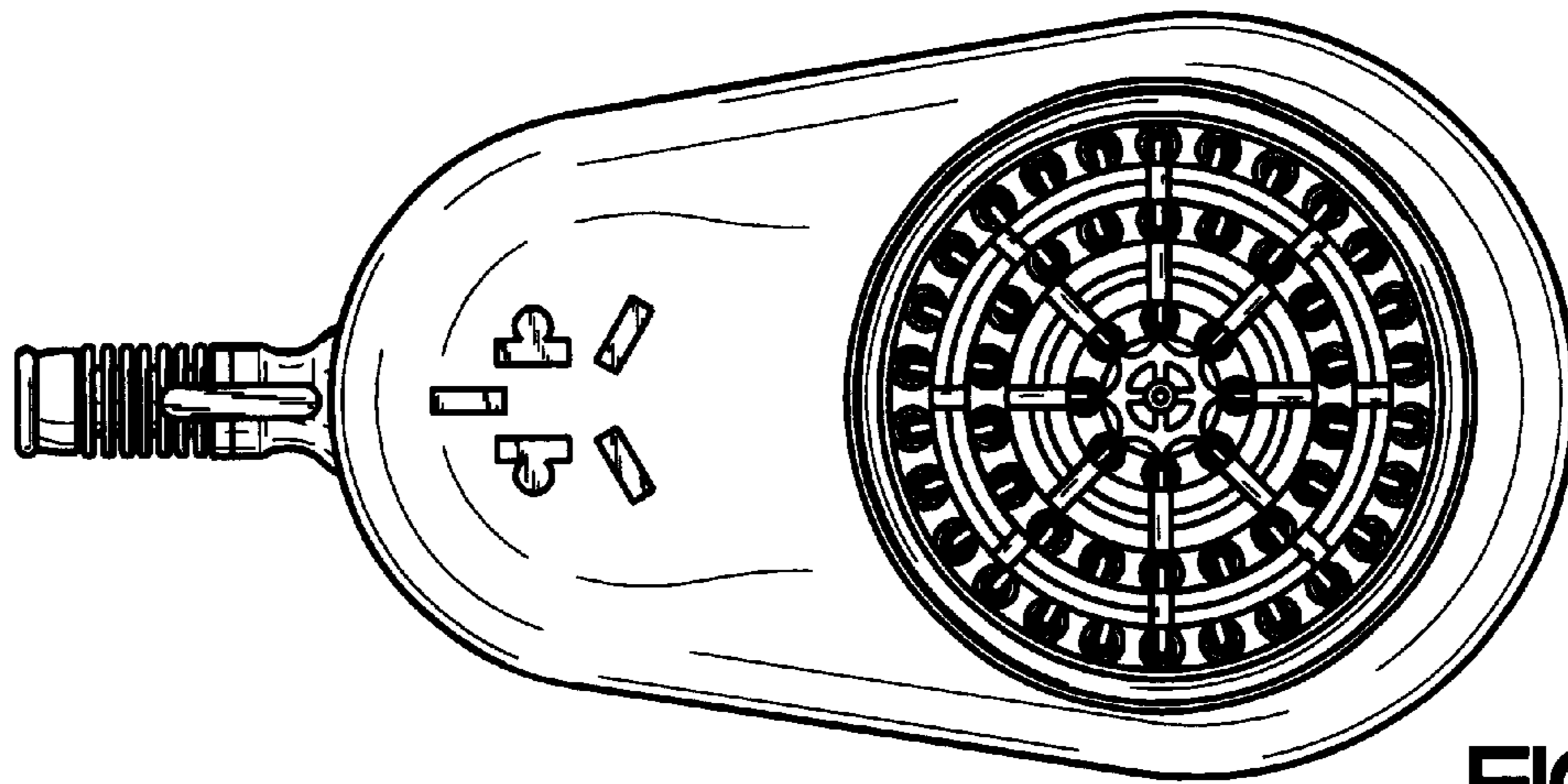


FIG. 7

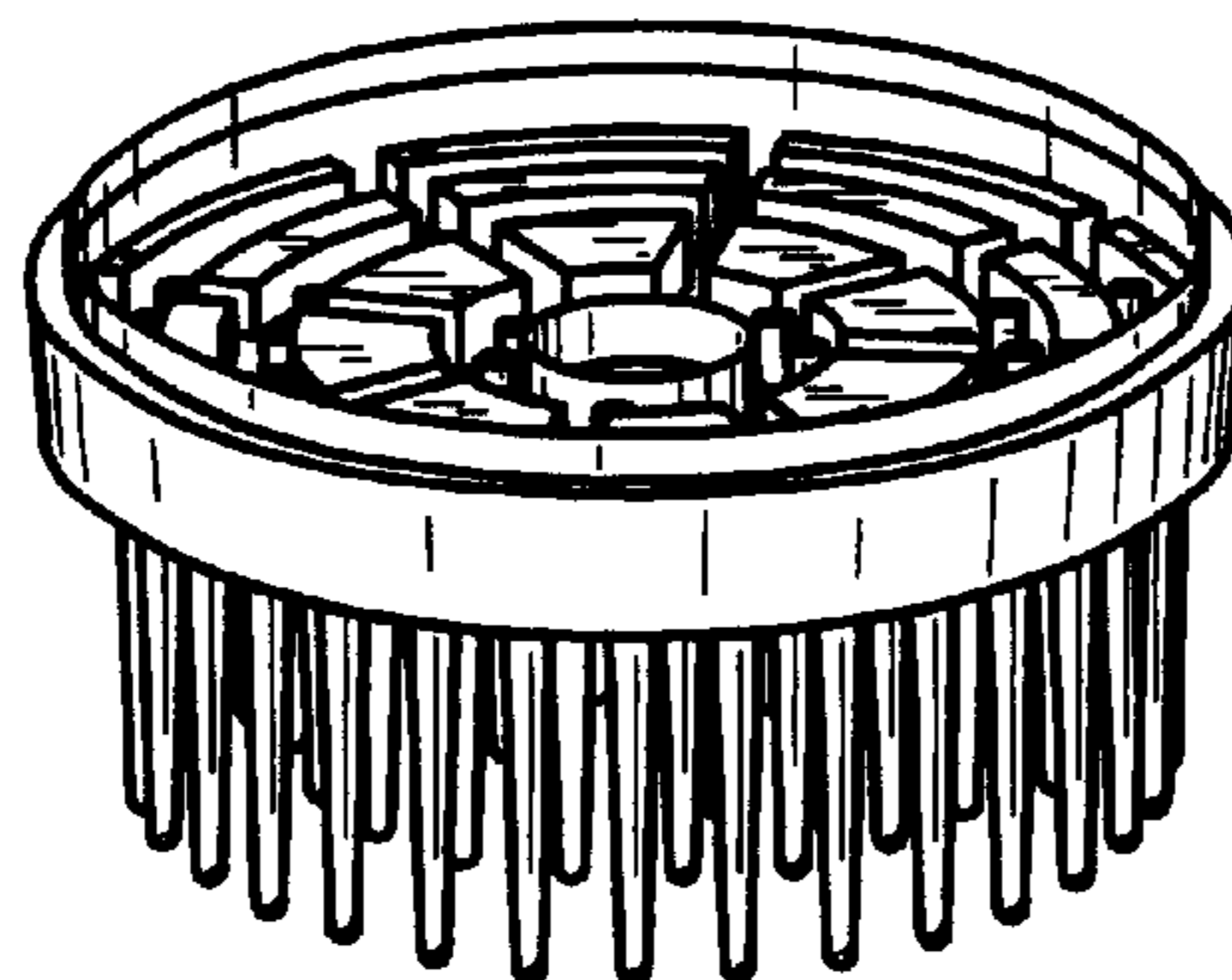
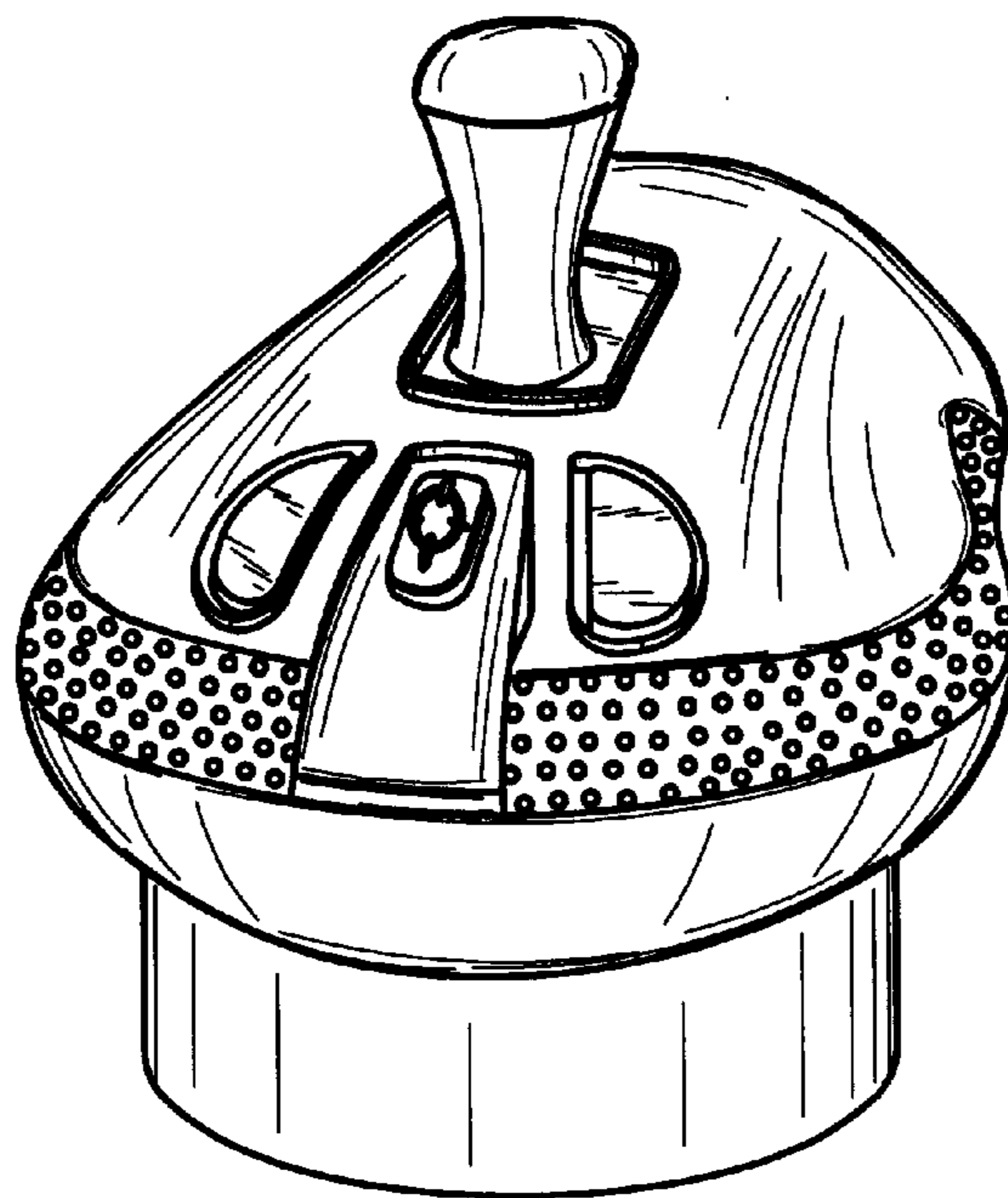


FIG. 8