



US00D538472S

(12) **United States Design Patent**  
**Angeletta**

(10) **Patent No.:** **US D538,472 S**

(45) **Date of Patent:** **\*\* Mar. 13, 2007**

(54) **REPLACEABLE APPLICATION COMPONENT FOR A LIQUID AND LOTION APPLICATOR**

(76) Inventor: **Joseph G. Angeletta**, 418 Fifth St., Mamaroneck, NY (US) 10543

(\*\*) Term: **14 Years**

(21) Appl. No.: **29/204,714**

(22) Filed: **May 3, 2004**

**Related U.S. Application Data**

(60) Continuation-in-part of application No. 29/186,340, filed on Jul. 14, 2003, which is a division of application No. 29/146,743, filed on Aug. 15, 2001, now Pat. No. Des. 481,166.

(51) **LOC (8) Cl.** ..... **28-02**

(52) **U.S. Cl.** ..... **D28/7**

(58) **Field of Classification Search** ..... D28/7-8; D4/114, 127, 137; D32/40, 52; 15/104.93, 15/104.94, 209.1, 244.1, 244.3, 244.4; 401/6, 401/139, 196, 205, 200-202, 207, 266  
See application file for complete search history.

(56) **References Cited**

**U.S. PATENT DOCUMENTS**

1,973,768	A	*	9/1934	Knapp	.....	601/107
2,281,367	A	*	4/1942	Moll	.....	401/272
D188,159	S	*	6/1960	Peyron	.....	D28/7
D242,893	S	*	1/1977	Silver	.....	D32/52
D306,214	S	*	2/1990	Delphus	.....	D28/7
4,961,661	A	*	10/1990	Sutton et al.	.....	401/6
5,240,339	A	*	8/1993	DeForest et al.	.....	401/207
5,353,819	A	*	10/1994	Kahn et al.	.....	132/320

5,597,255	A	*	1/1997	Yager et al.	.....	401/207
5,955,417	A	*	9/1999	Taylor	.....	510/438
D440,770	S	*	4/2001	Chen	.....	D4/137
D468,197	S	*	1/2003	Angeletta	.....	D28/7
6,533,484	B1	*	3/2003	Osei et al.	.....	401/205
D476,816	S	*	7/2003	Angeletta	.....	D4/127
D481,166	S	*	10/2003	Angeletta	.....	D28/7
D489,480	S	*	5/2004	Angeletta	.....	D28/7
D497,721	S	*	11/2004	Angeletta	.....	D4/114
D503,242	S	*	3/2005	Angeletta	.....	D28/7
D505,528	S	*	5/2005	Burt et al.	.....	D32/40
D505,749	S	*	5/2005	Angeletta	.....	D28/7
D506,850	S	*	6/2005	Angeletta	.....	D28/7
D509,935	S	*	9/2005	Burt	.....	D32/40
2004/0086321	A1	*	5/2004	Burkholz et al.	.....	401/190
2004/0240927	A1	*	12/2004	Hoang et al.	.....	401/133

\* cited by examiner

*Primary Examiner*—Janice Seeger

*Assistant Examiner*—Zenia I Bennett

(74) *Attorney, Agent, or Firm*—Scully, Scott, Murphy & Presser, P.C.

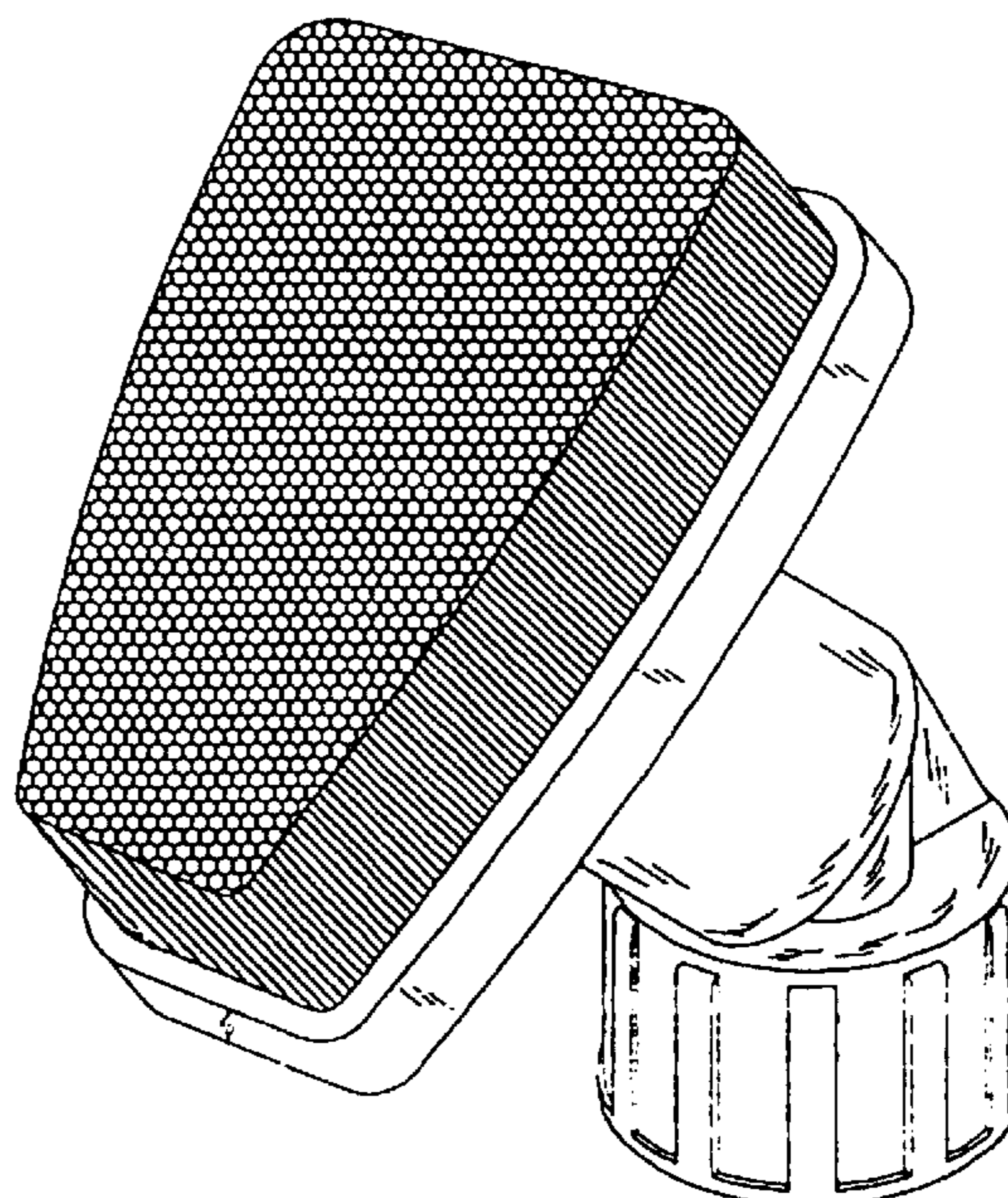
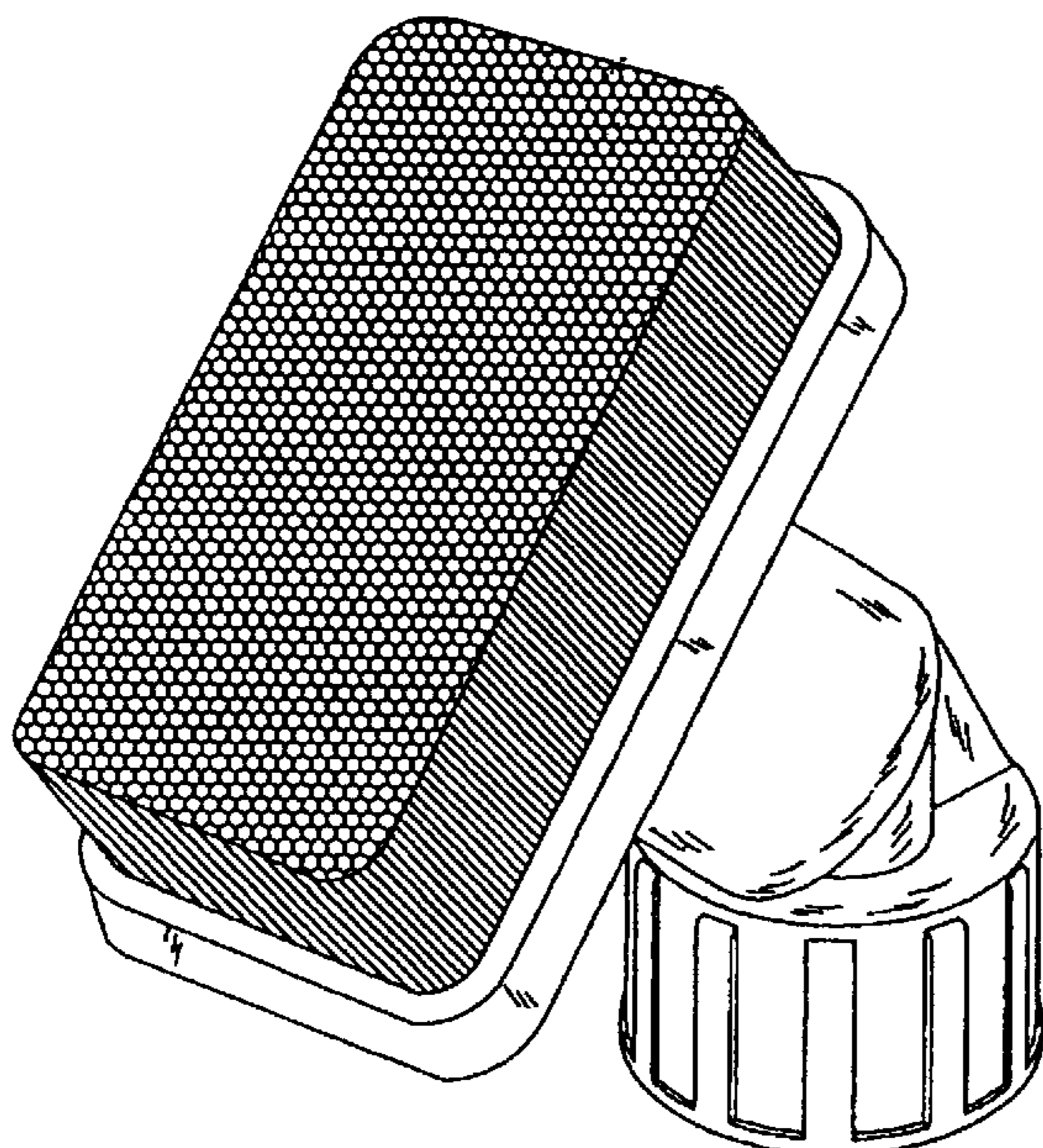
(57) **CLAIM**

The ornamental design for a replaceable application component for a liquid and lotion applicator, as shown and described.

**DESCRIPTION**

FIG. 1 illustrates a perspective view of a first embodiment of the replaceable application component for a liquid and lotion applicator showing my new and ornamental design; and, FIG. 2 illustrates a perspective view of another embodiment thereof.

**1 Claim, 1 Drawing Sheet**





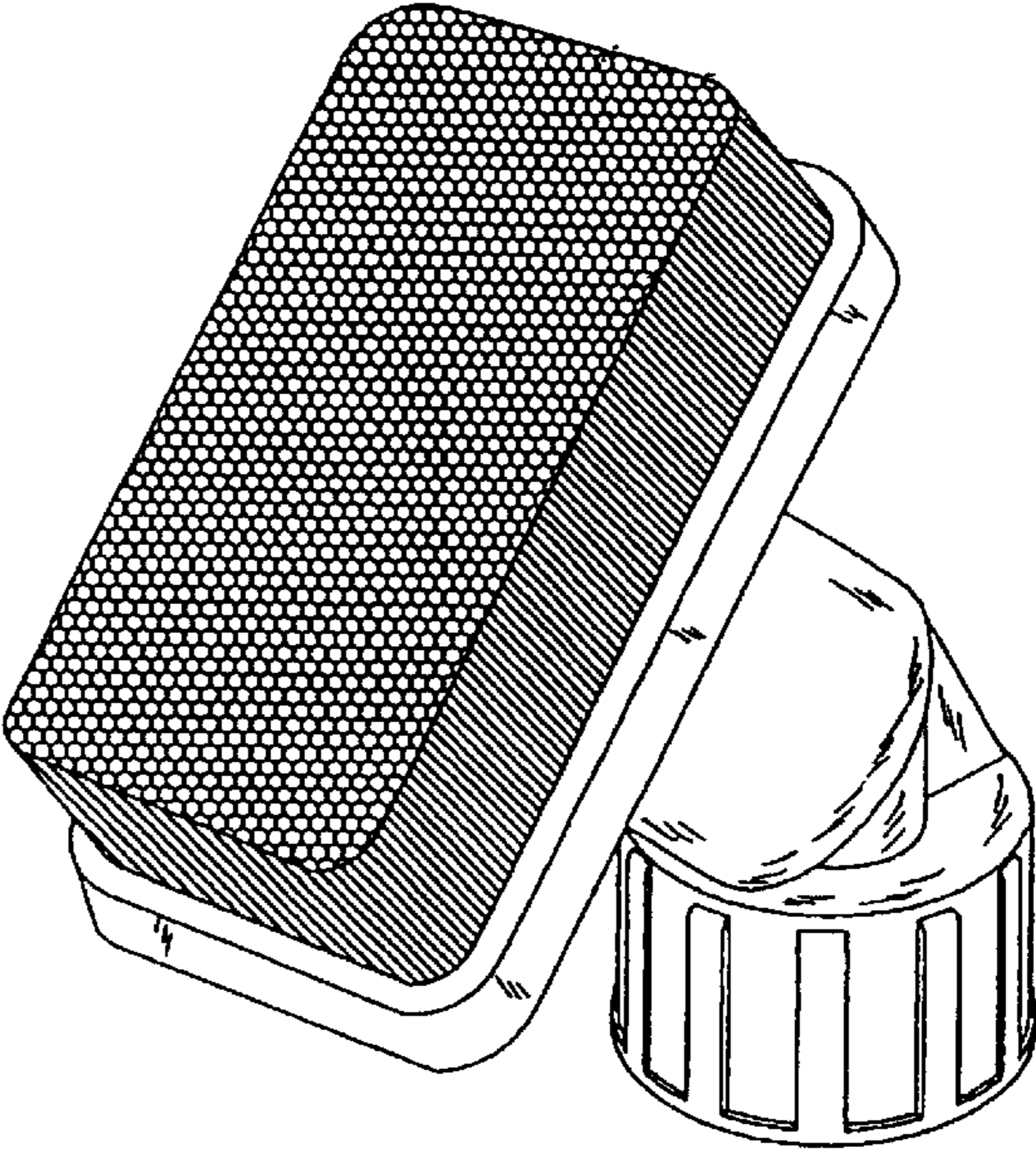


FIG. 1

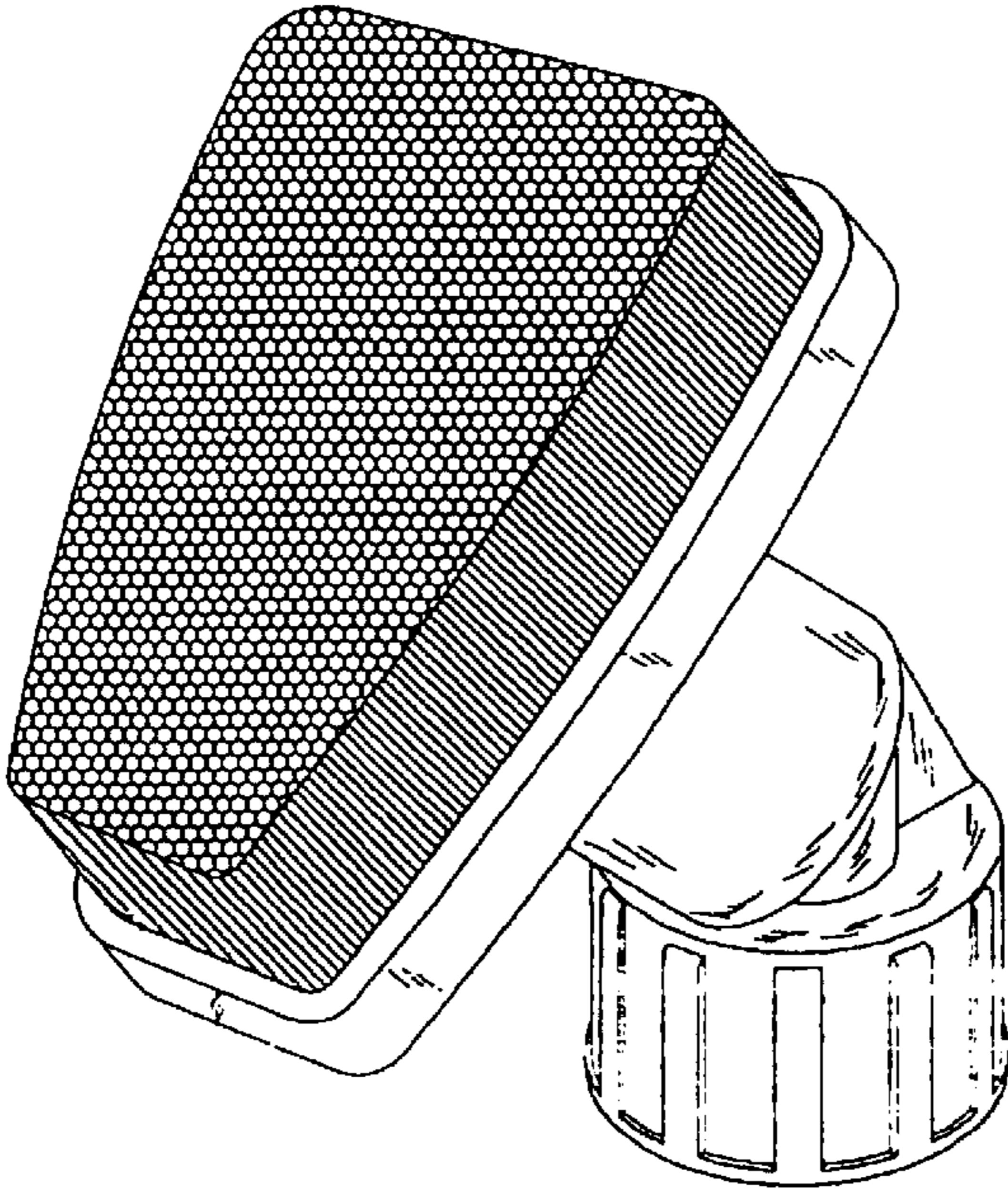


FIG. 2