



US00D538471S

(12) **United States Design Patent**
Taniguchi et al.

(10) **Patent No.:** **US D538,471 S**

(45) **Date of Patent:** **** Mar. 13, 2007**

(54) **COSMETIC PRODUCT**

(75) Inventors: **Toshiya Taniguchi**, Kobe (JP); **Takashi Sako**, Kobe (JP)

(73) Assignee: **The Procter & Gamble Company**, Cincinnati, OH (US)

(**) Term: **14 Years**

(21) Appl. No.: **29/238,091**

(22) Filed: **Sep. 9, 2005**

(51) **LOC (8) Cl.** **28-03**

(52) **U.S. Cl.** **D28/4**

(58) **Field of Classification Search** D28/4,
D28/8.1, 8.2; 424/401, 424; D14/489, 492;
132/293, 294, 303, 305; D24/101, 102
See application file for complete search history.

(56) **References Cited**

U.S. PATENT DOCUMENTS

- D452,588 S * 12/2001 Look D28/4
- D470,973 S * 2/2003 Jackel-Marken D28/4
- D516,744 S * 3/2006 Jackel-Marken D28/4
- D519,240 S * 4/2006 Jackel-Marken D28/4
- D521,187 S * 5/2006 Jackel-Marken D28/4

- D522,174 S * 5/2006 Jackel-Marken D28/4
- 7,047,983 B2 * 5/2006 Manougian et al. 132/294
- 2003/0217761 A1 * 11/2003 Maelstaf 132/294
- 2006/0008485 A1 * 1/2006 Ferone et al. 424/401

* cited by examiner

Primary Examiner—Jennifer Rivard

(74) *Attorney, Agent, or Firm*—Vladimir Vitenberg; Tara M. Rosnell; Brian M. Bolam

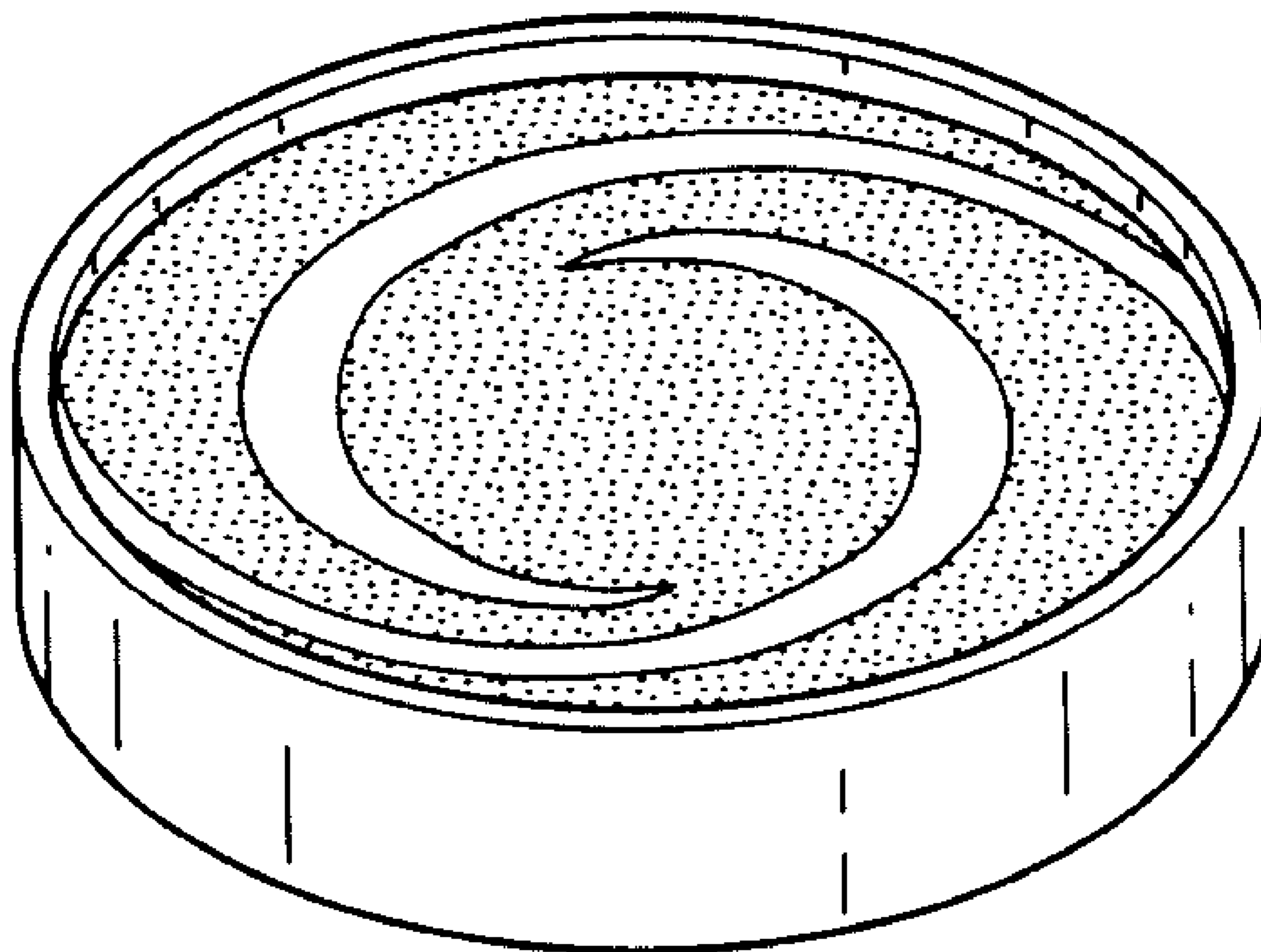
(57) **CLAIM**

The ornamental design for a cosmetic product, as shown and described.

DESCRIPTION

FIG. 1 is a perspective view of a cosmetic product, embodying our new design;
 FIG. 2 is a top plan view thereof;
 FIG. 3 is a front view thereof;
 FIG. 4 is a back view thereof; and,
 FIG. 5 is a left side view thereof.
 A top view and a bottom view are identical; therefore a bottom has been omitted. A right side view and a left side view are identical; therefore a right side view has been omitted.

1 Claim, 1 Drawing Sheet



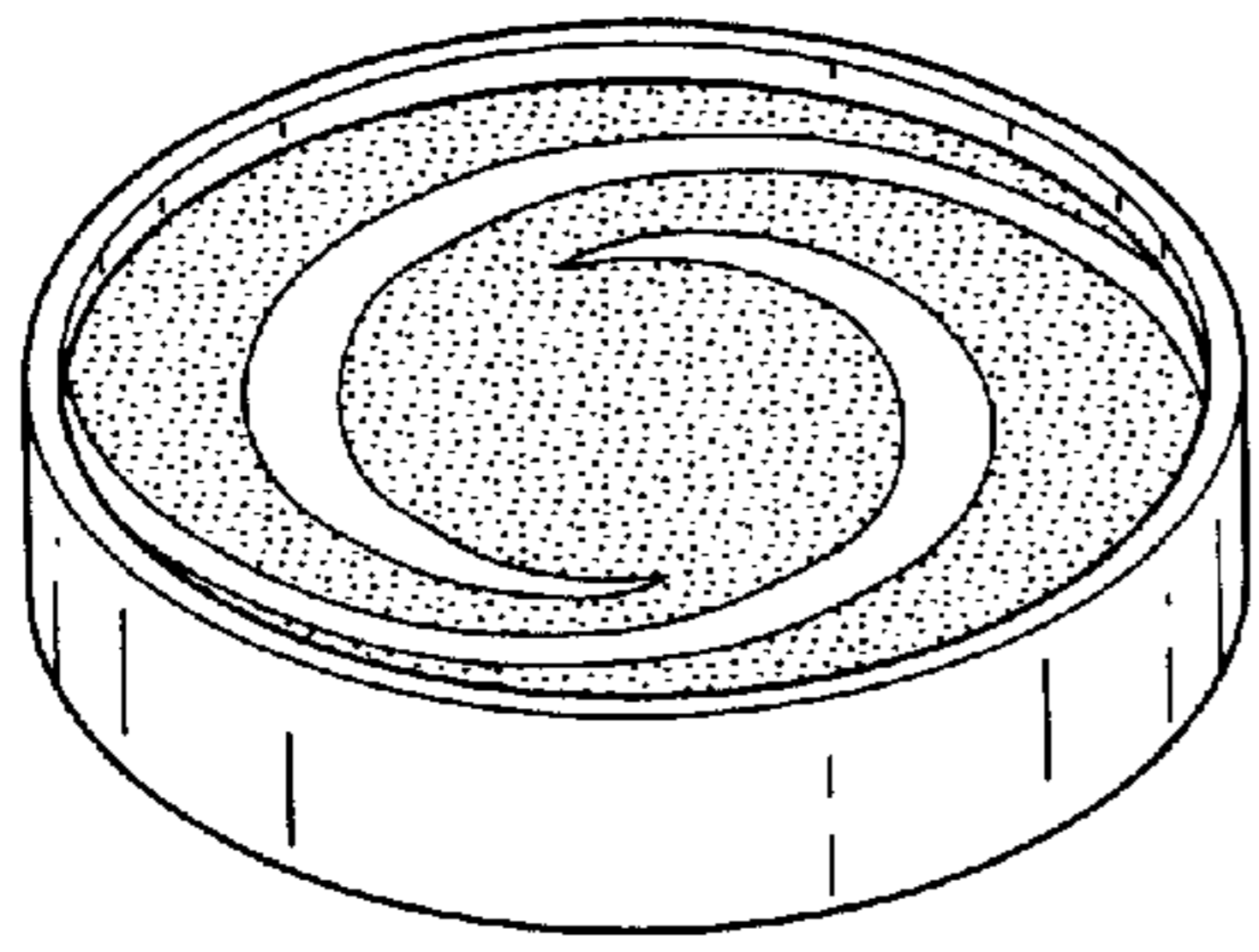


Fig. 1

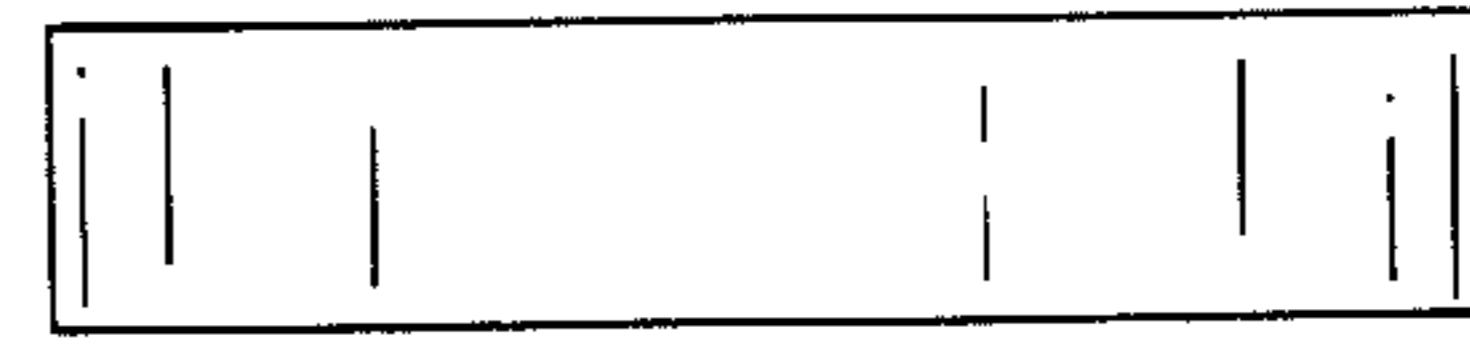


Fig. 2

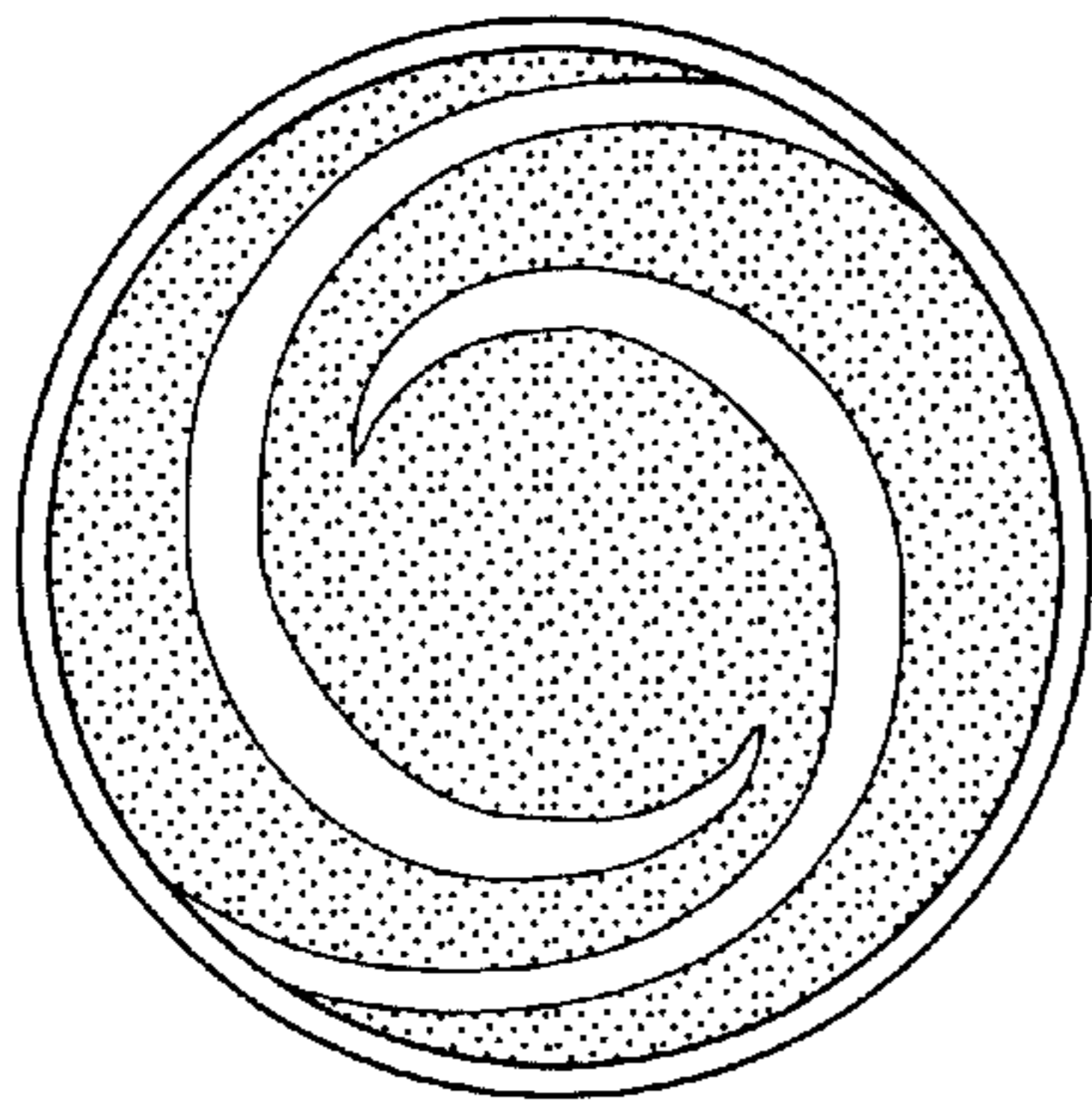


Fig. 3

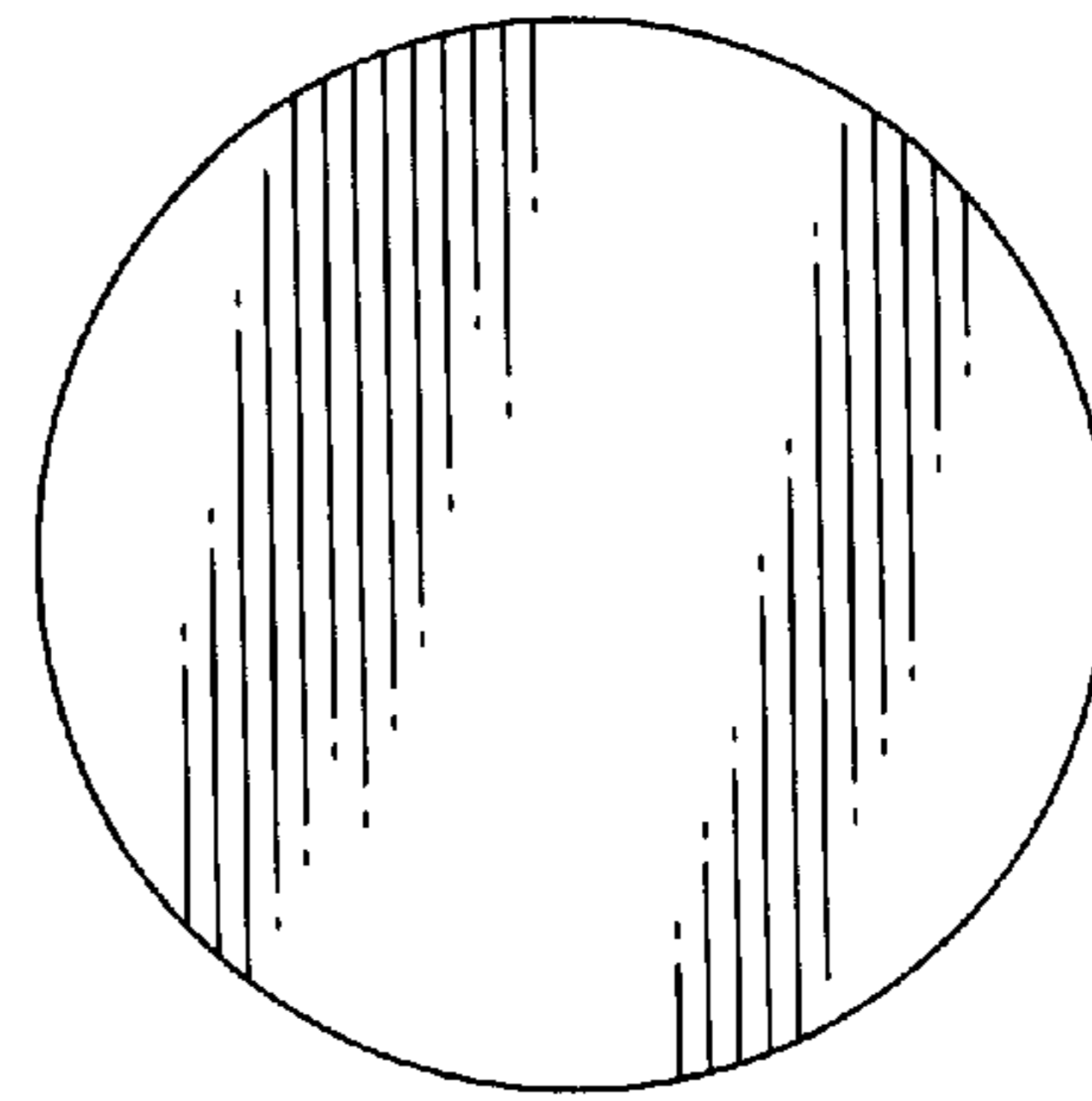


Fig. 4

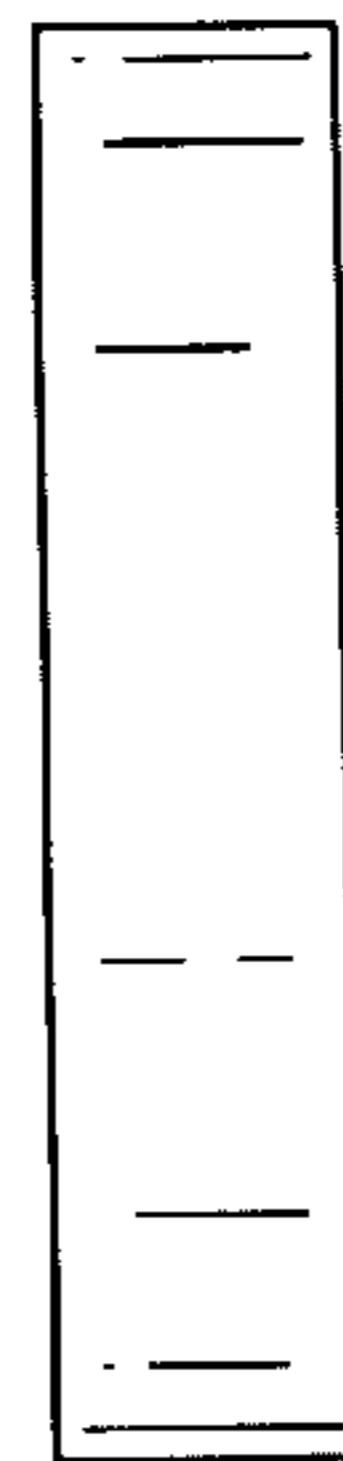


Fig. 5