



US00D538469S

(12) **United States Design Patent**  
**Xu**

(10) **Patent No.:** **US D538,469 S**  
(45) **Date of Patent:** **\*\* Mar. 13, 2007**

(54) **PIEZOELECTRIC LIGHTER**

(75) Inventor: **Xiao Ping Xu**, Wenzhou (CN)

(73) Assignee: **Zreative Products, Inc.**, El Monte, CA (US)

(\*\*) Term: **14 Years**

(21) Appl. No.: **29/261,071**

(22) Filed: **Jun. 6, 2006**

(51) **LOC (8) Cl.** ..... **27-05**

(52) **U.S. Cl.** ..... **D27/157**

(58) **Field of Classification Search** ..... D27/141-161;  
431/129, 143, 153, 253-256, 273-277  
See application file for complete search history.

(56) **References Cited**

**U.S. PATENT DOCUMENTS**

D414,294 S \* 9/1999 Mashine et al. .... D27/154

D429,541 S \* 8/2000 Hu ..... D27/154  
D447,273 S \* 8/2001 Chen ..... D27/141

\* cited by examiner

*Primary Examiner*—Jennifer Rivard

(74) *Attorney, Agent, or Firm*—Raymond Y. Chan; David And Raymond Patent Group

(57) **CLAIM**

The ornamental design for a piezoelectric lighter, as shown.

**DESCRIPTION**

FIG. 1 is a perspective view showing my new design.

FIG. 2 is a front view thereof.

FIG. 3 is a rear view thereof.

FIG. 4 is a right end view thereof.

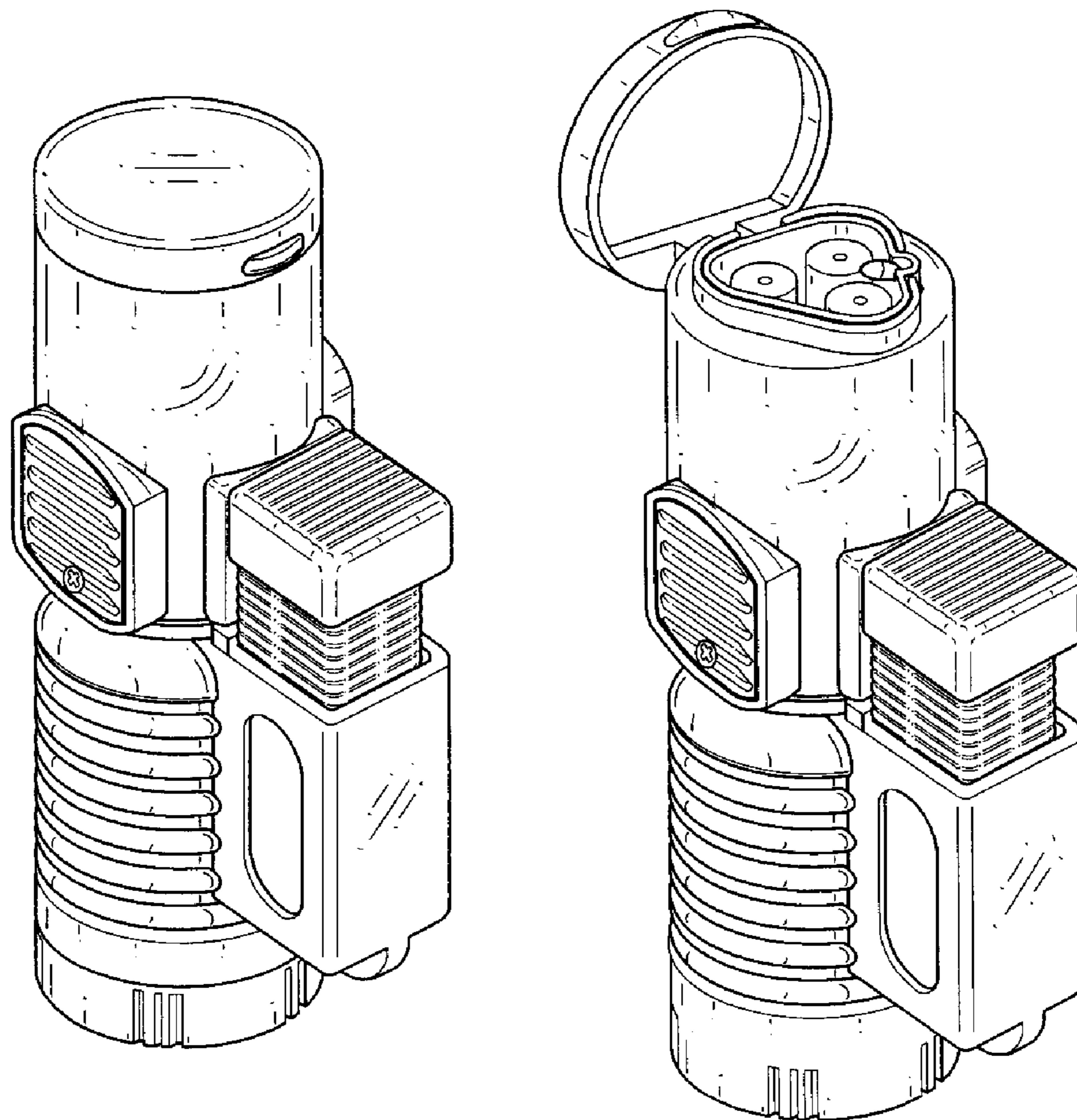
FIG. 5 is a left end view thereof.

FIG. 6 is a top view thereof.

FIG. 7 is a bottom view thereof; and,

FIG. 8 is a perspective view with the cap opened.

**1 Claim, 8 Drawing Sheets**



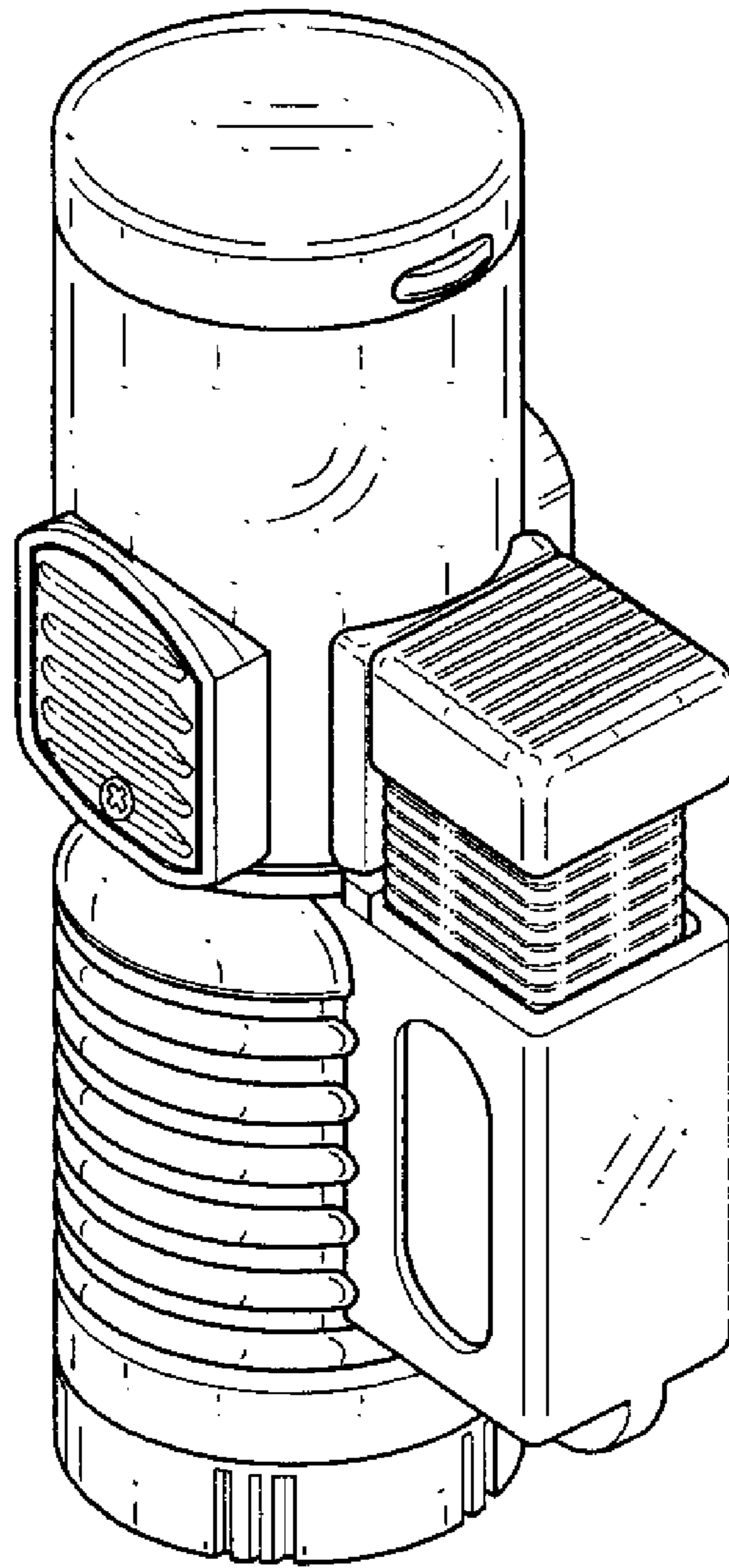


FIG. 1

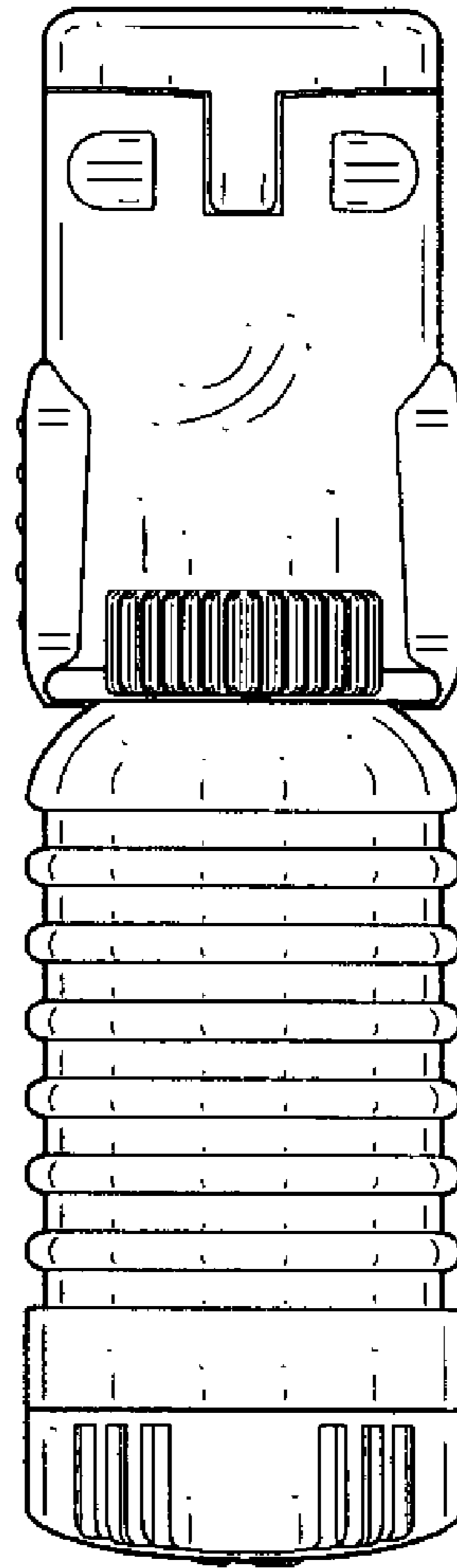


FIG. 2

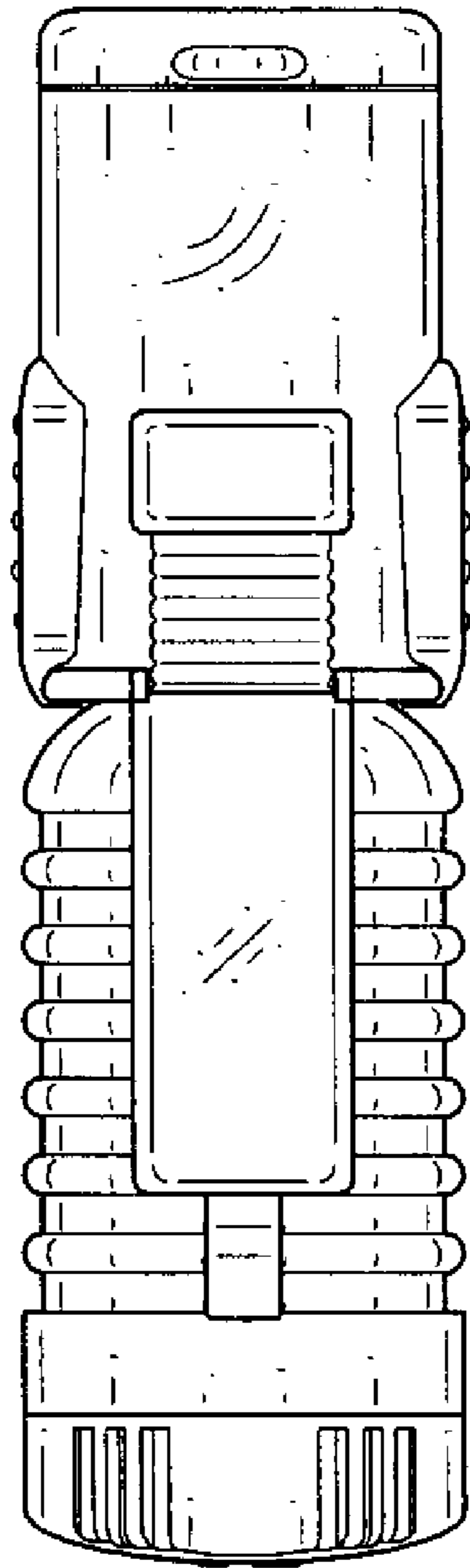


FIG. 3

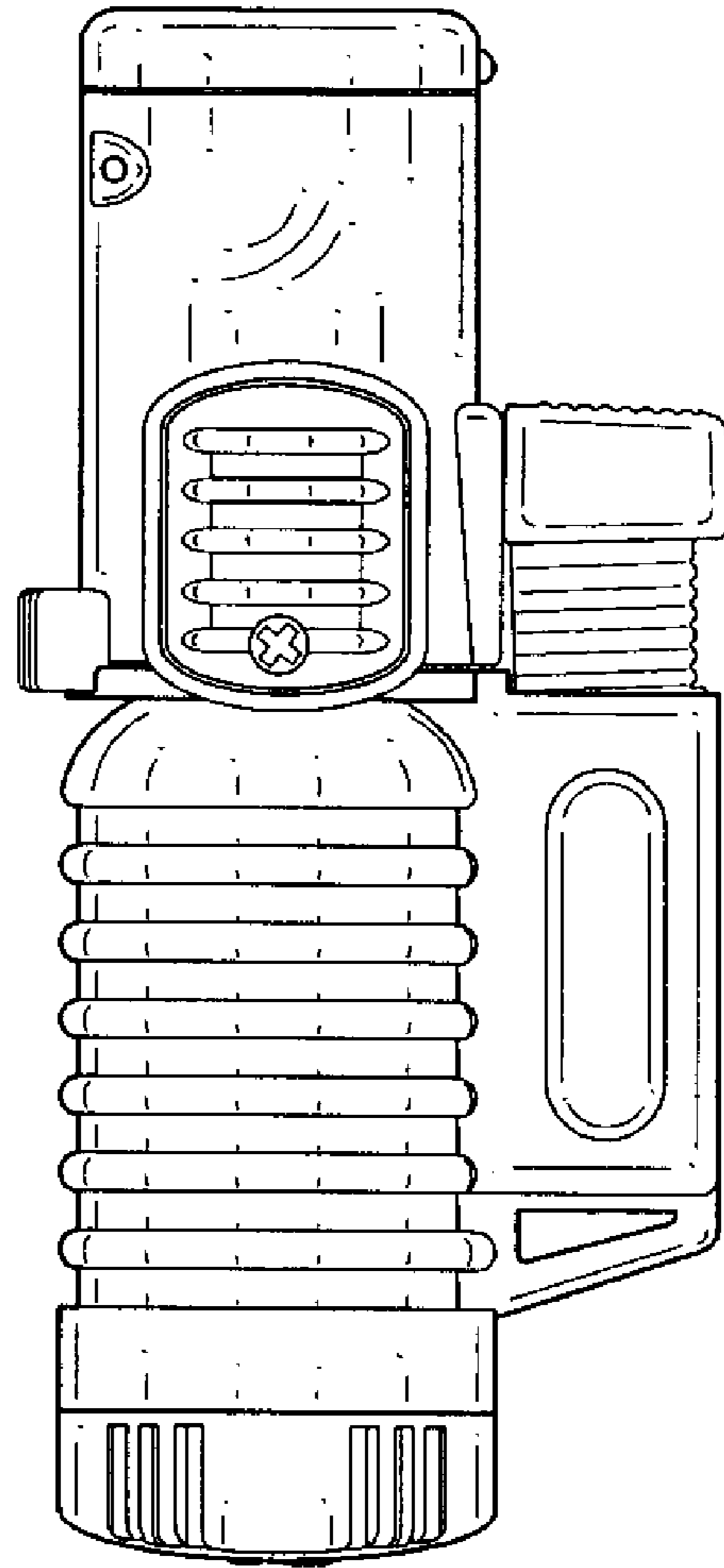


FIG. 4

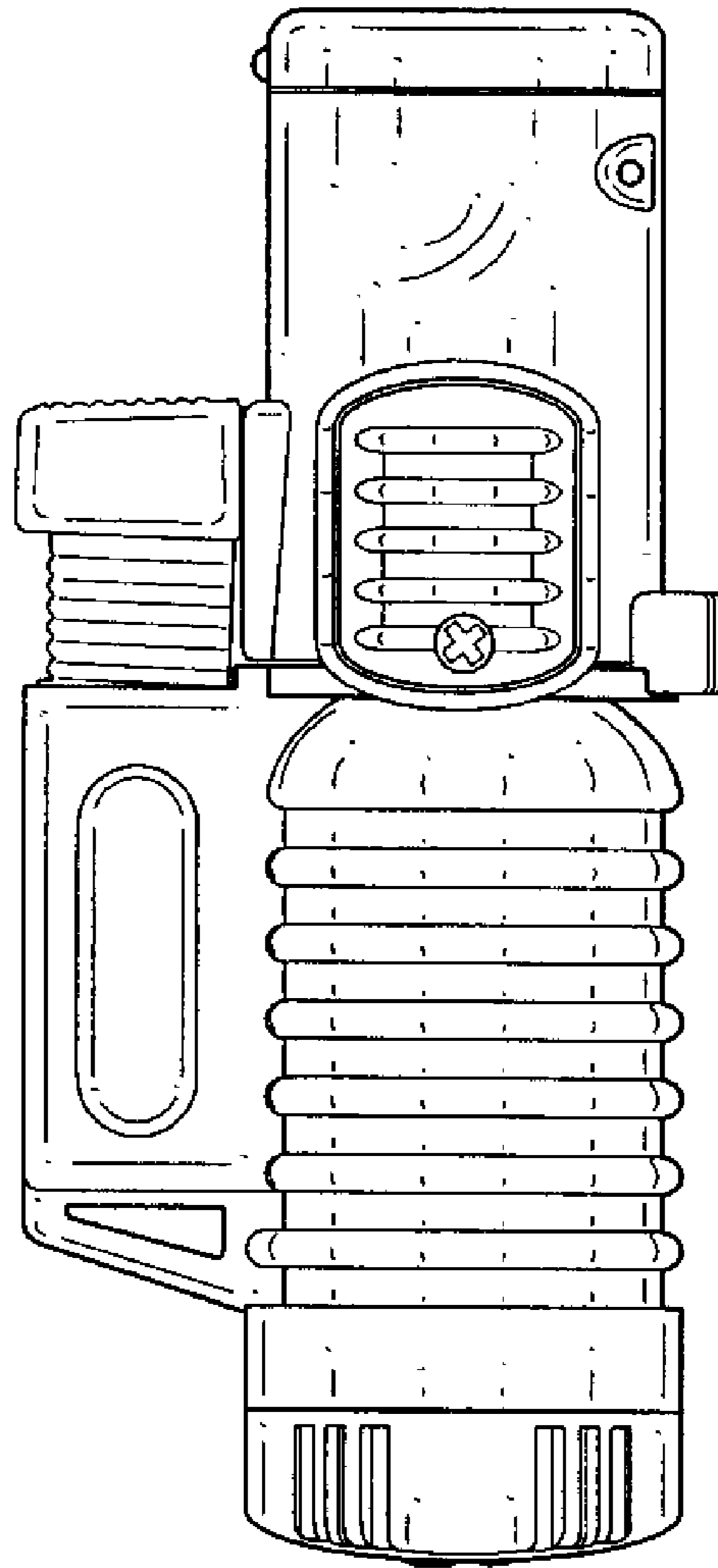
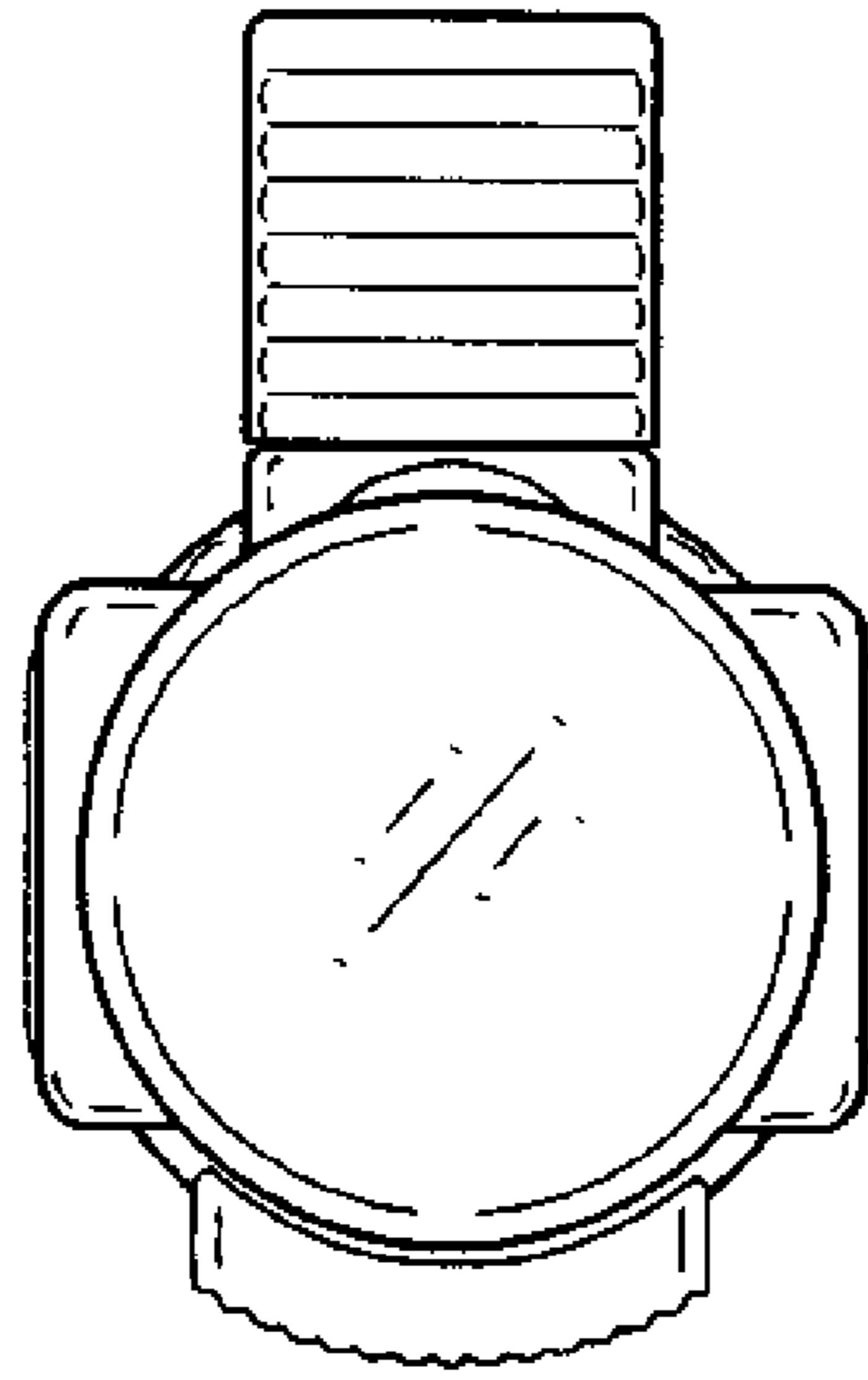


FIG. 5



**FIG. 6**

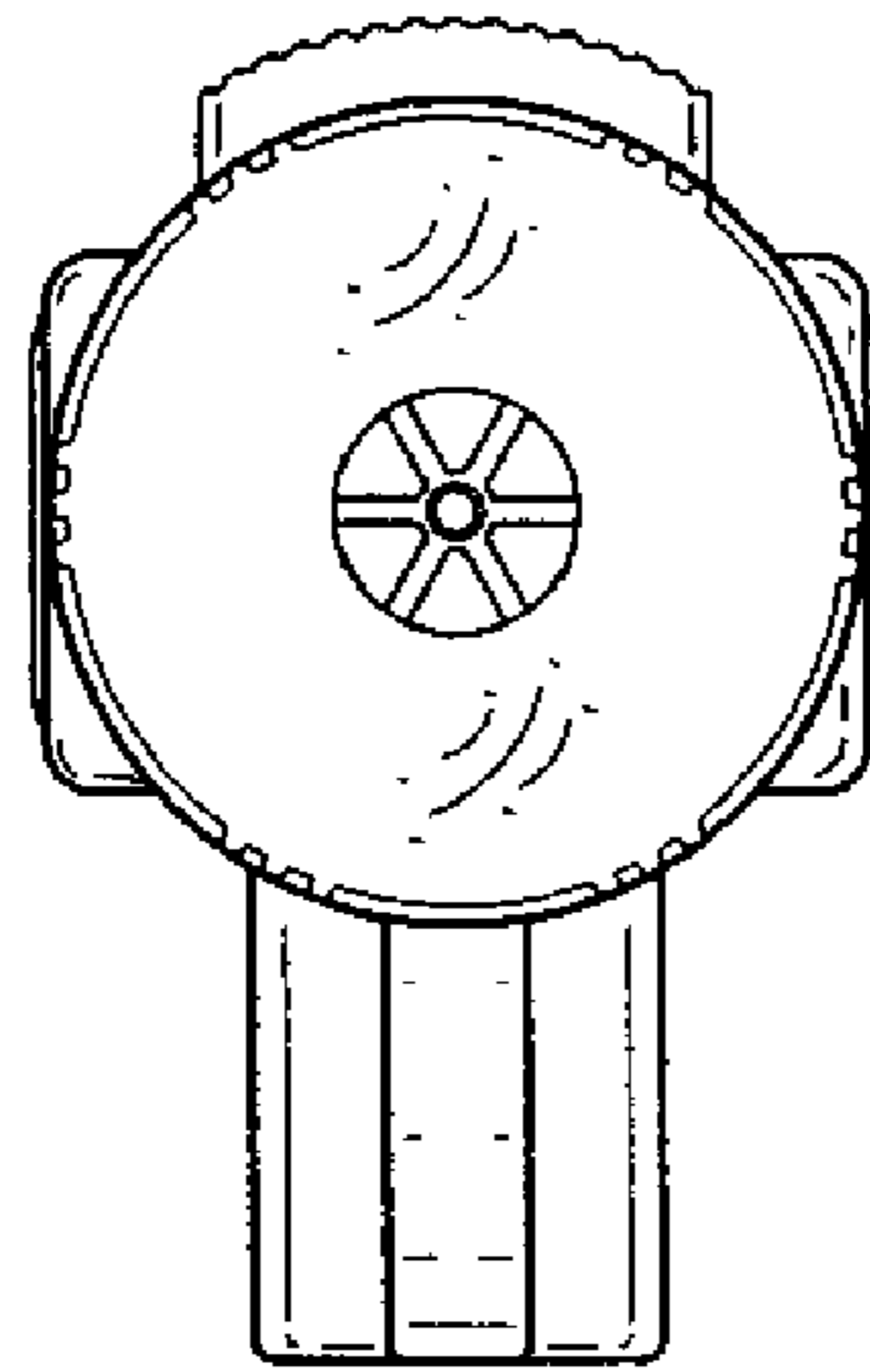


FIG. 7



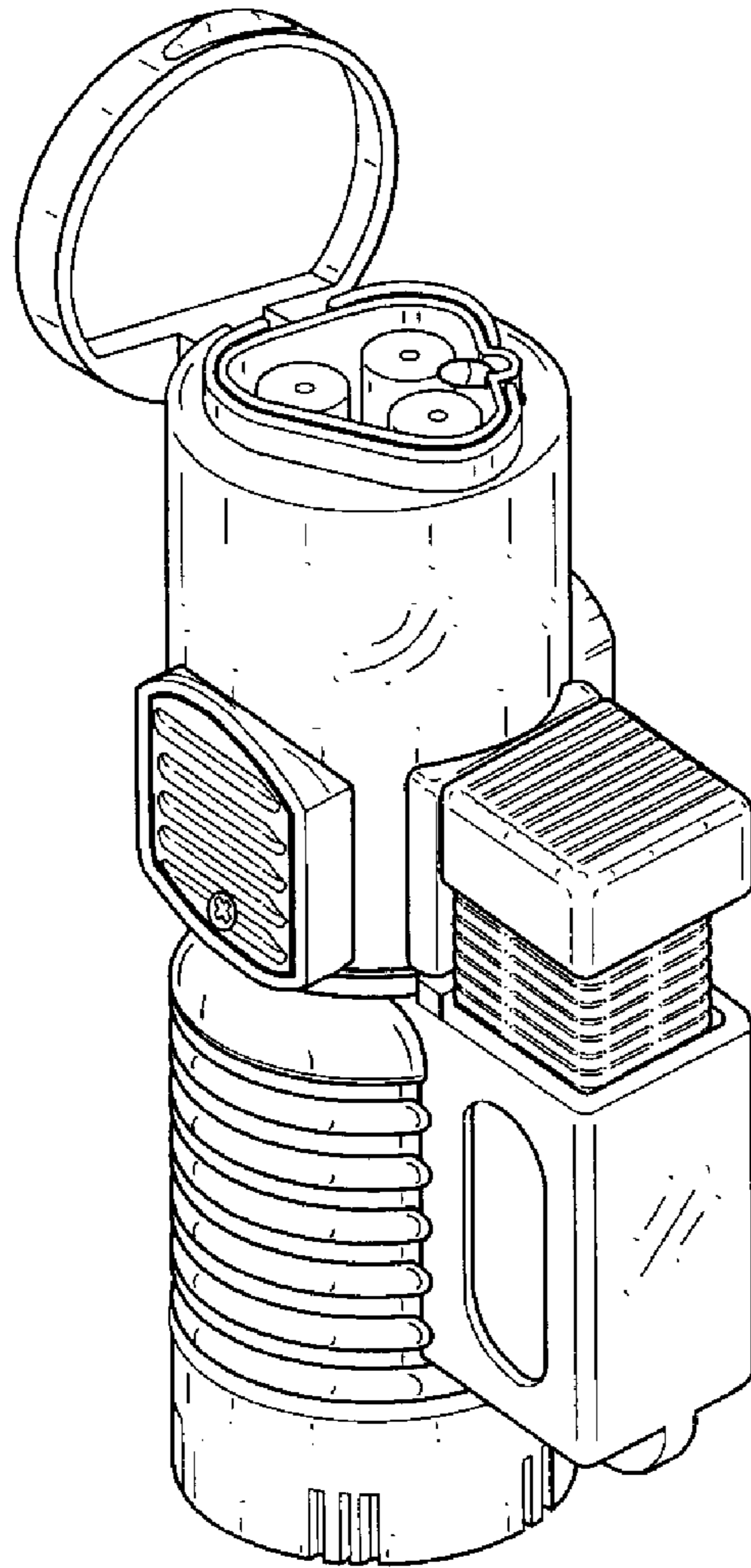


FIG. 8