



US00D538462S

(12) **United States Design Patent**
Verfuерth et al.

(10) **Patent No.:** **US D538,462 S**
(45) **Date of Patent:** **** Mar. 13, 2007**

(54) **FLUORESCENT TUBE LIGHT LOW BAY REFLECTOR**
(75) Inventors: **Neal R. Verfuерth**, Plymouth, WI (US);
Donald C. Heimerman, Random Lake, WI (US);
Kenneth J. Wetenkamp, Plymouth, WI (US);
Ronald E. Ernst, Waldo, WI (US)

(73) Assignee: **Orion Energy Systems Ltd.**, Plymouth, WI (US)

(**) Term: **14 Years**

(21) Appl. No.: **29/203,684**

(22) Filed: **Apr. 19, 2004**

(51) **LOC (8) Cl.** **26-99**

(52) **U.S. Cl.** **D26/118**

(58) **Field of Classification Search** D26/118,
D26/113, 142, 122, 138, 139, 75, 74, 121,
D26/77, 76, 72; 362/217, 225, 257, 260,
362/317, 327, 330, 334, 341, 347, 362, 349,
362/364, 376, 377, 404
See application file for complete search history.

(56) **References Cited**

U.S. PATENT DOCUMENTS

1,888,103	A	*	11/1932	Guth	362/348
D177,532	S	*	4/1956	Meyer et al.	D26/128
2,741,694	A	*	4/1956	Wiig et al.	362/340
D193,802	S	*	10/1962	Thomsen et al.	D26/128
D207,596	S	*	5/1967	Wince	D26/122
D243,246	S	*	2/1977	England	D13/102
4,499,529	A	*	2/1985	Figueroa	362/283
4,669,033	A		5/1987	Lee		
D292,619	S	*	11/1987	Chen	D26/141
4,719,546	A		1/1988	Spitz		
4,933,823	A		6/1990	Taylor		

D348,746	S	*	7/1994	Herst et al.	D26/85
D349,358	S	*	8/1994	Herst et al.	D26/85
D364,478	S	*	11/1995	Pesau	D26/76
D374,301	S	*	10/1996	Kleffman	D26/76
D399,587	S	*	10/1998	Compton et al.	D26/76
6,257,735	B1		7/2001	Baar		
6,578,983	B2		6/2003	Holten		
6,585,396	B1		7/2003	Verfuерth		

* cited by examiner

Primary Examiner—Freda Nunn

Assistant Examiner—Kevin K. Rudzinski

(74) *Attorney, Agent, or Firm*—Robert T. Johnson

(57) **CLAIM**

We claim the ornamental design for fluorescent tube light low bay reflector, as shown and described.

DESCRIPTION

FIG. 1 is a top plan view of the fluorescent tube light low bay reflector, showing our new design;

FIG. 2 is a cross sectional view thereof, taken along line 2—2 of FIG. 1;

FIG. 3 is a cross sectional view thereof, taken along line 3—3 of FIG. 1;

FIG. 4 is a cross sectional view thereof, taken along line 4—4 of FIG. 1;

FIG. 5 is a cross sectional view thereof, taken along line 5—5 of FIG. 1;

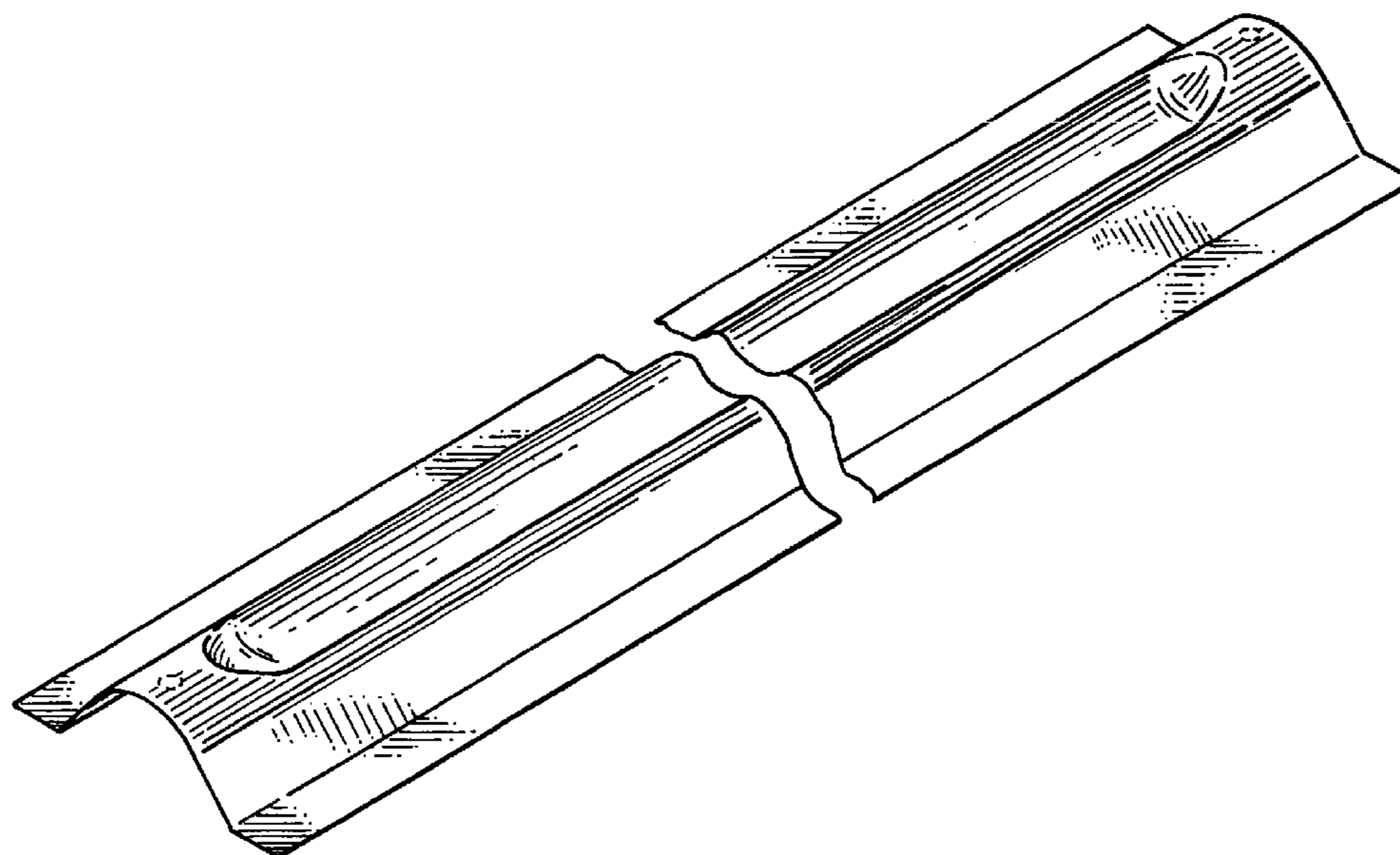
FIG. 6—is a left side elevation view, and the right side elevation view is a mirror image of the left side elevation view;

FIG. 7—is a perspective top view; and,

FIG. 8 is a bottom plan view of the fluorescent tube light low bay reflector.

The broken lines shown in FIGS. 1, 2, 3, 4, 5, 7, and 8 are for illustration only, and form no part of this invention.

1 Claim, 3 Drawing Sheets



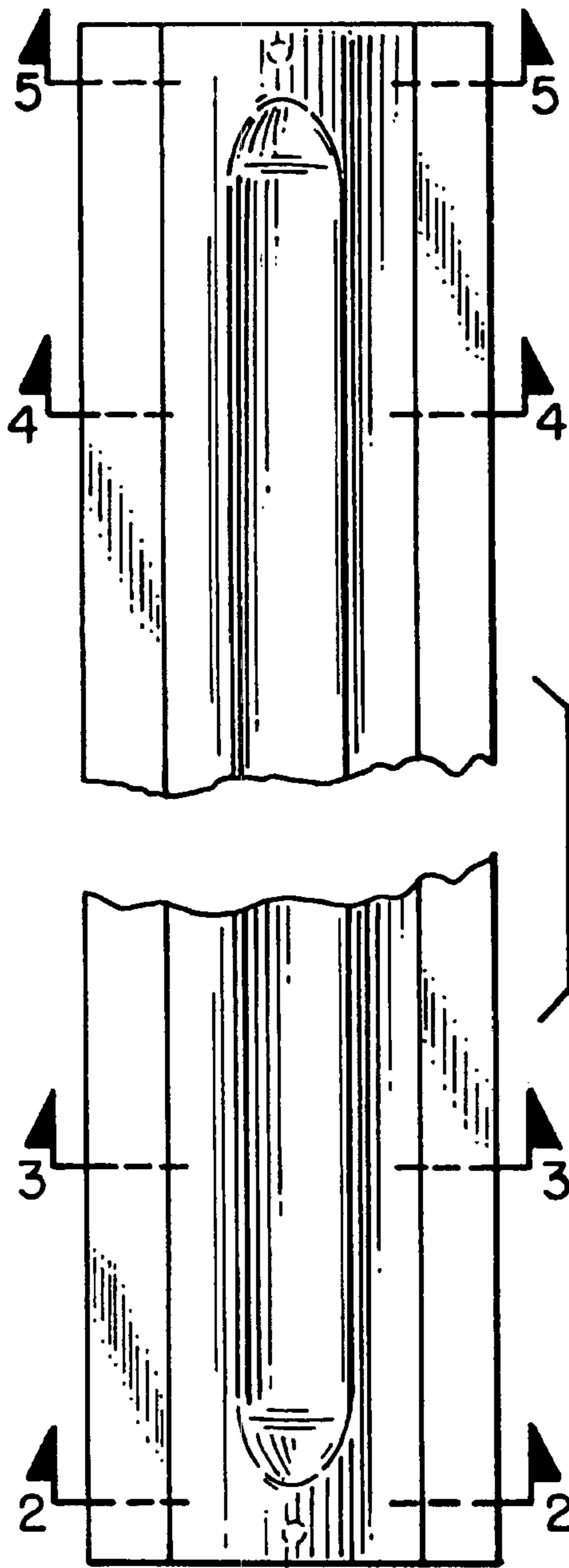


FIG 1

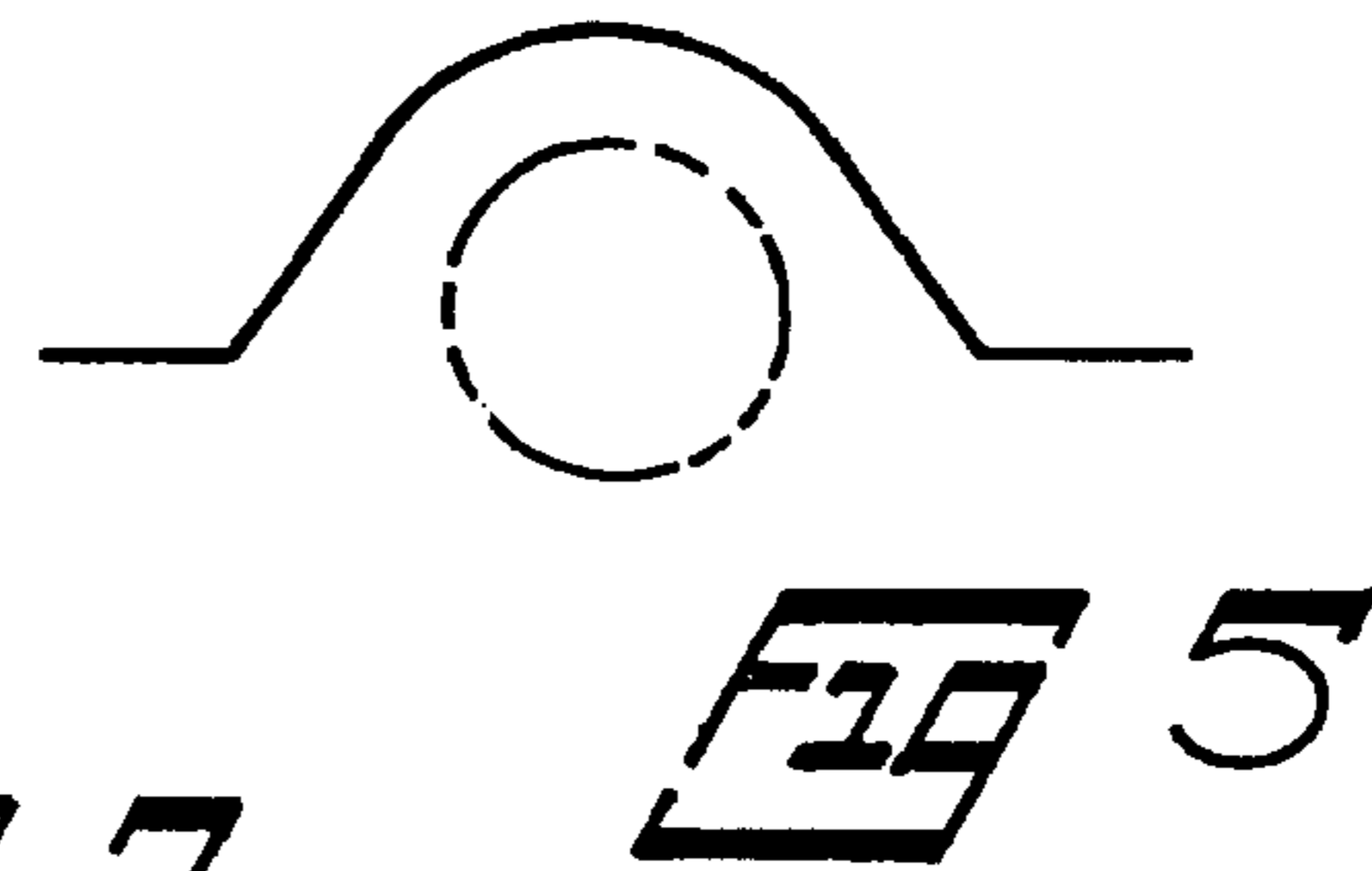


FIG 5



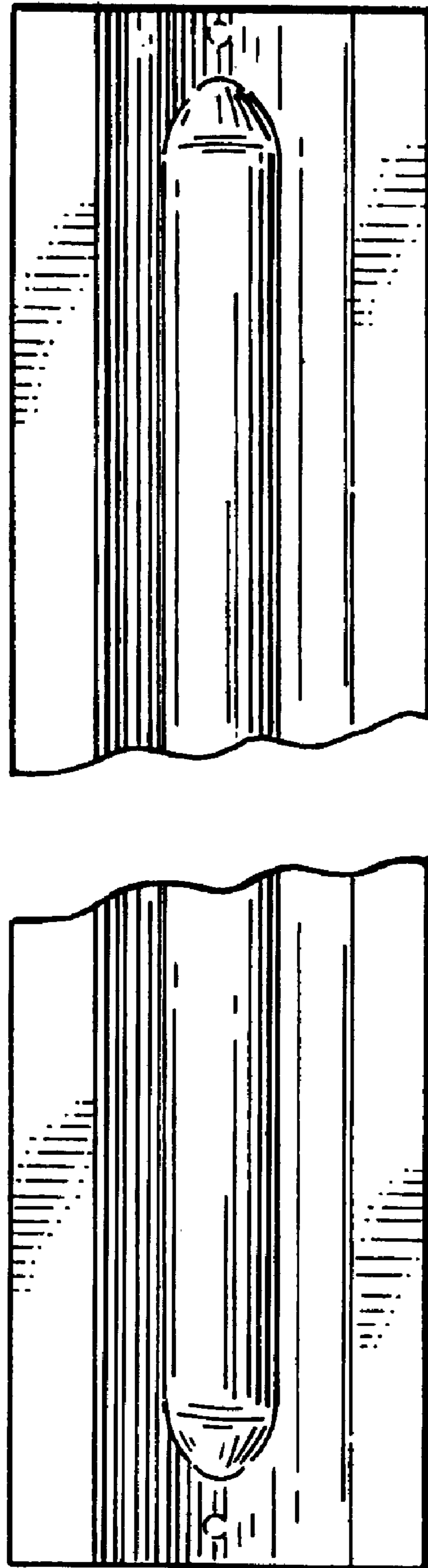
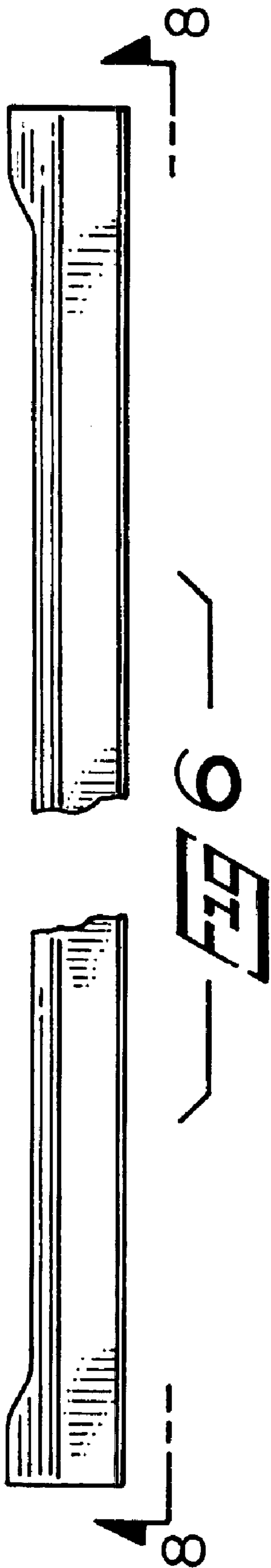
FIG 4



FIG 3



FIG 2



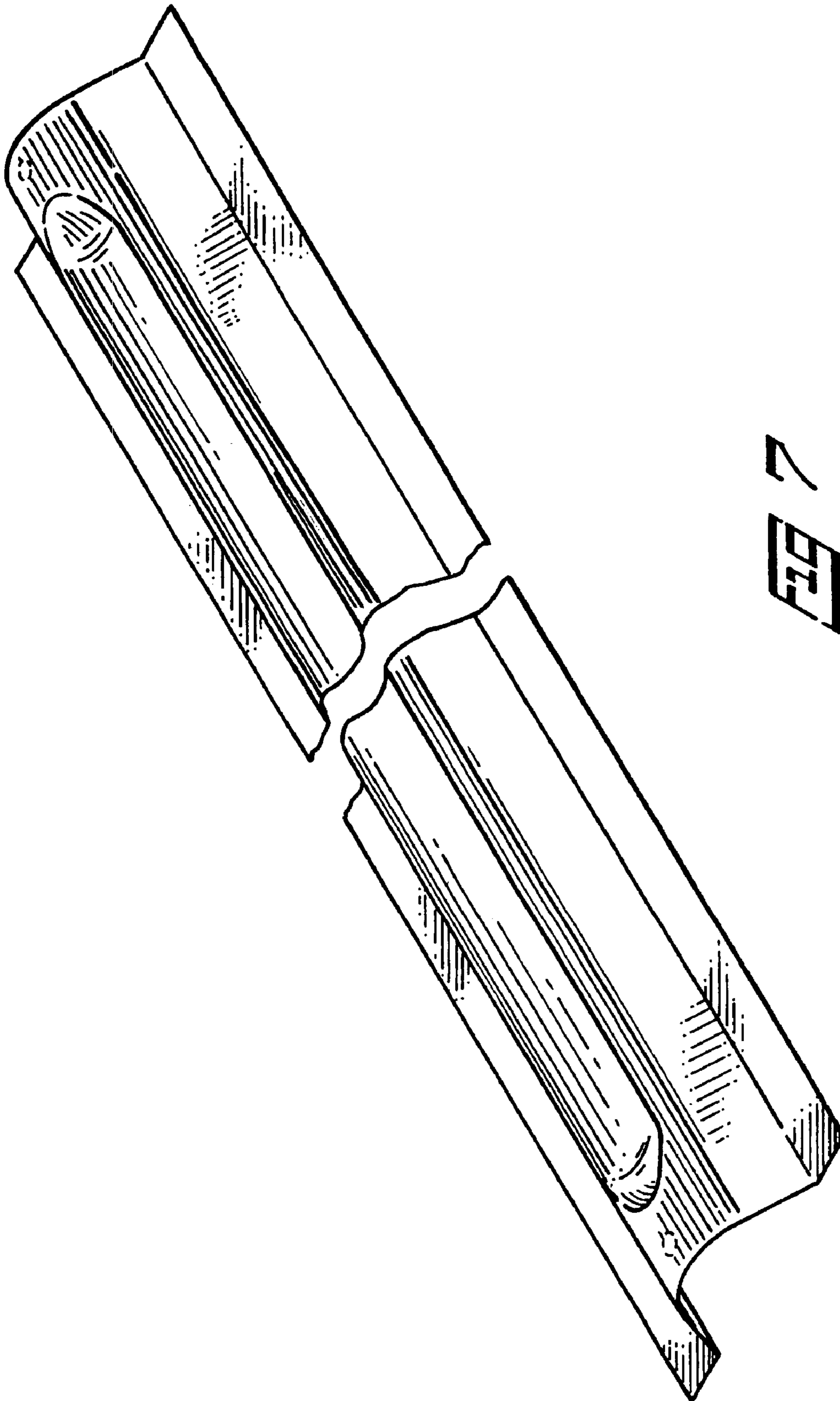


FIG. 7