



US00D538461S

(12) **United States Design Patent**
Broughton et al.

(10) **Patent No.:** **US D538,461 S**

(45) **Date of Patent:** **** Mar. 13, 2007**

(54) **LANTERN**

(75) Inventors: **Scott Broughton**, Hollidaysburgh, PA (US); **George Michael Drake**, Newnan, GA (US)

(73) Assignee: **Cooper Technologies Company**, Houston, TX (US)

(**) **Term:** **14 Years**

(21) Appl. No.: **29/244,860**

(22) Filed: **Dec. 15, 2005**

(51) **LOC (8) Cl.** **26-03**

(52) **U.S. Cl.** **D26/87; D26/92; D26/129**

(58) **Field of Classification Search** D26/72,
D26/85-92, 138, 145, 155, 129, 130; 362/147,
362/404-408, 432

See application file for complete search history.

(56) **References Cited**

U.S. PATENT DOCUMENTS

D62,693 S	*	7/1923	Crowell	D26/87
D67,175 S	*	4/1925	Wolter	D26/24
D73,618 S	*	10/1927	Miller	D26/87
D166,966 S	*	6/1952	Huegel	D26/87
D207,178 S	*	3/1967	Atkin et al.	D26/87
D465,053 S	*	10/2002	Miranda	D26/87
D522,164 S	*	5/2006	Trivino et al.	D26/71

OTHER PUBLICATIONS

Epic Collection—Decorative Area Collection, INVUE (TM) catalog, Cooper Lighting, Dec. 2003.

GT75, Industrial Grade 175 Watt Mercury Vapor Security Light, www.regentlighting.com, Cooper Lighting, 2 pages.

GT Series, Instruction Manual, Cooper Lighting, 12 pages.

Dusk to Dawn Lighting Buyers Guide, Cooper Lighting, p. 25.

MD100 Series, 100 Watt Mercury Vapor Home Accent (TM) Lantern, www.regentlighting.com, Cooper Lighting, 2 pages.

MD Series, Instruction Manual, Cooper Lighting, 12 pages.

100 Watt Mercury Vapor Buyers Guide, Cooper Lighting, page 26.

* cited by examiner

Primary Examiner—Clare E Hefflin

(74) *Attorney, Agent, or Firm*—Saidman DesignLaw Group

(57) **CLAIM**

The ornamental design for a lantern, as shown and described.

DESCRIPTION

FIG. 1 is a top, front perspective view of a lantern showing our new design;

FIG. 2 is a bottom, front perspective view thereof;

FIG. 3 is a front view thereof;

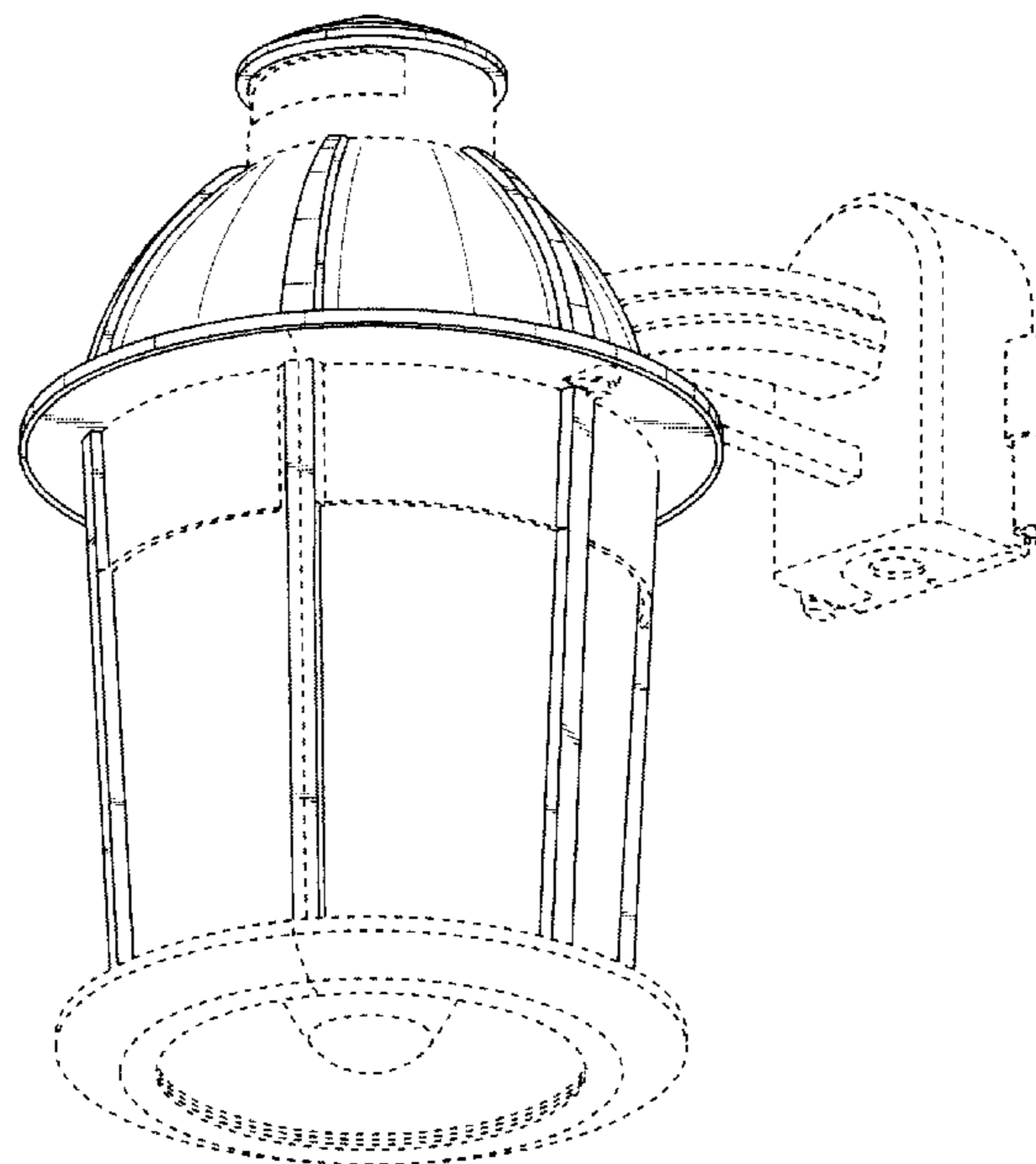
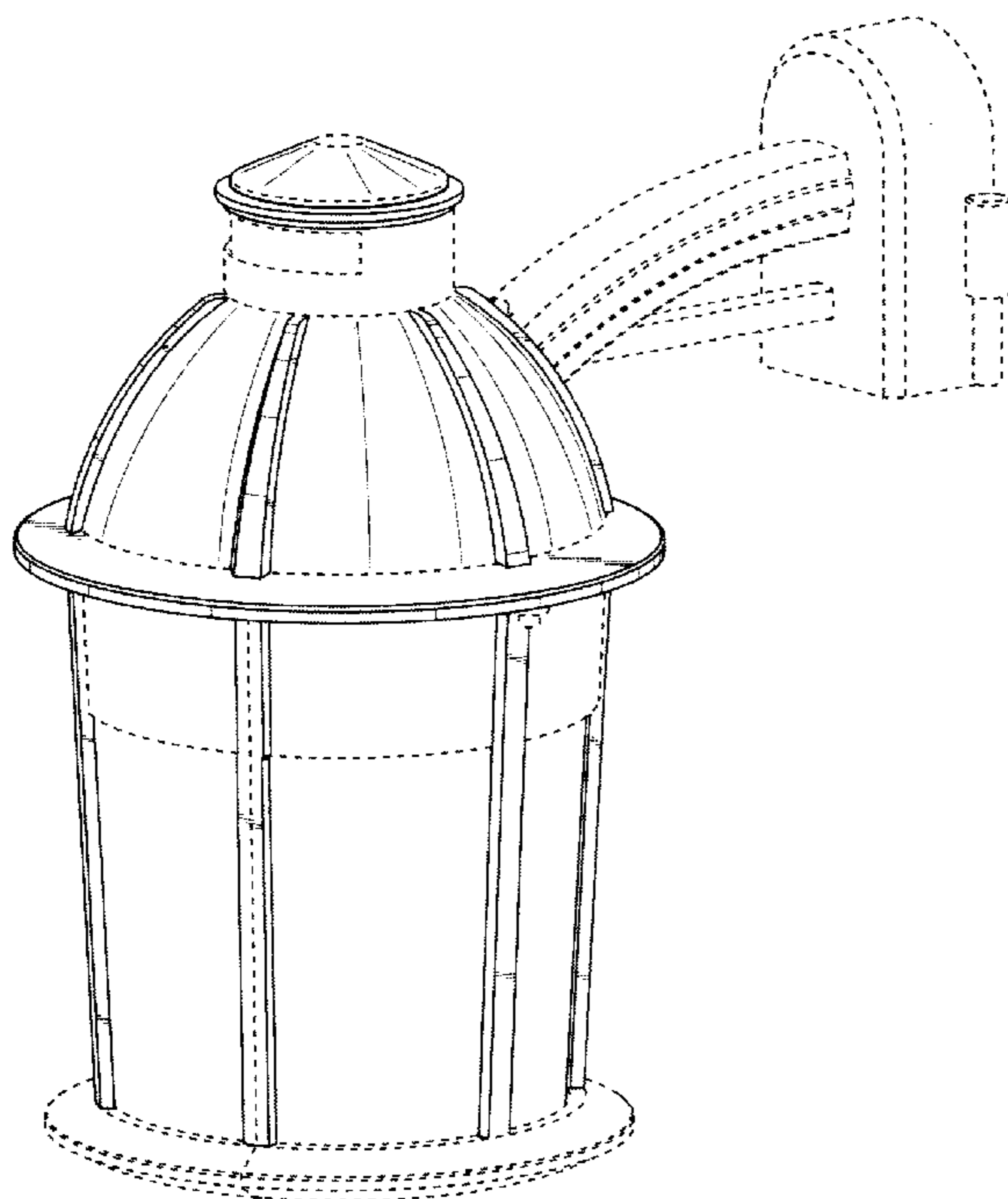
FIG. 4 is a rear view thereof;

FIG. 5 is a left side view thereof, the right side being a mirror image; and,

FIG. 6 is a top view thereof.

The broken lines form no part of the claimed design.

1 Claim, 3 Drawing Sheets



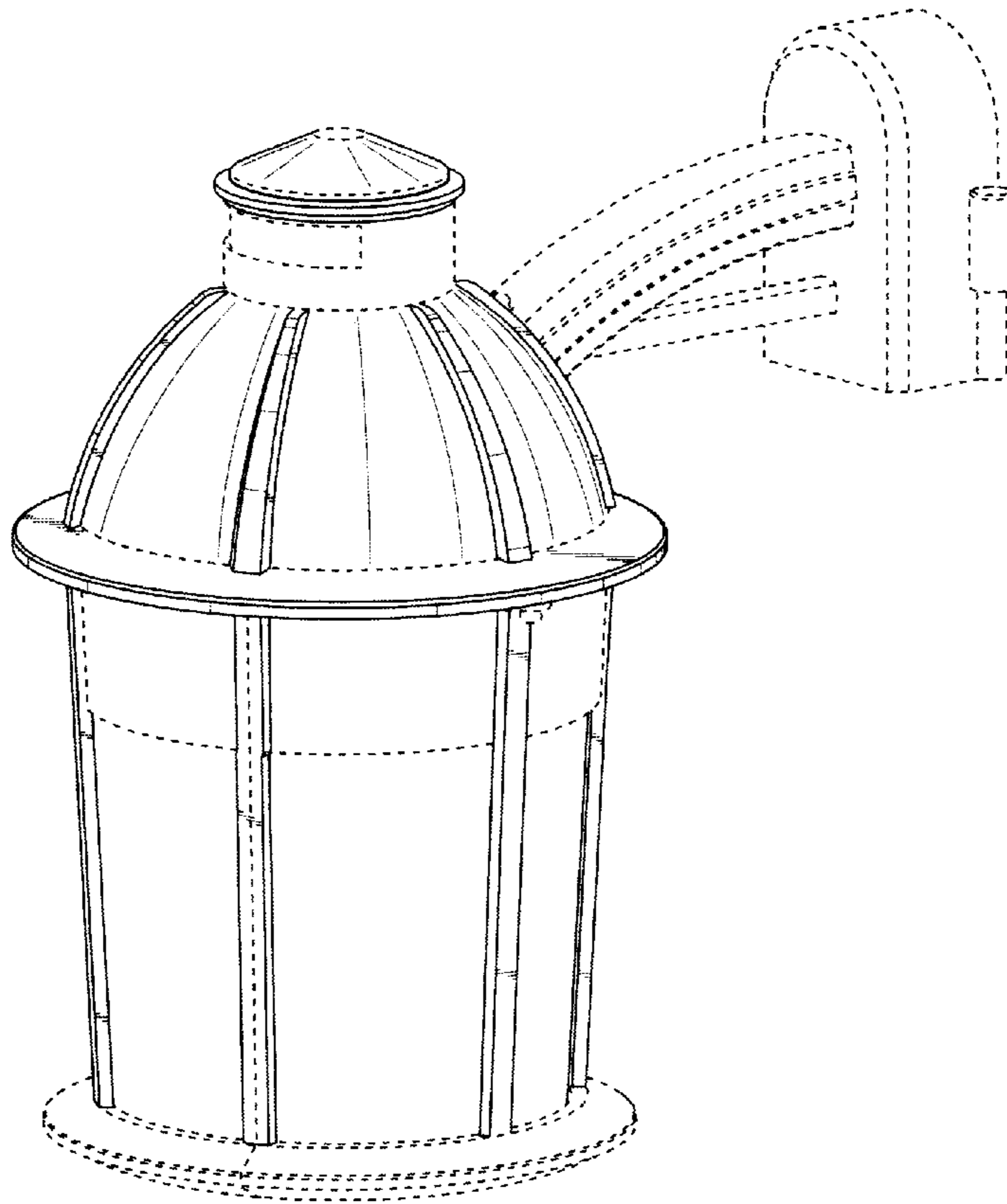


Fig. 1

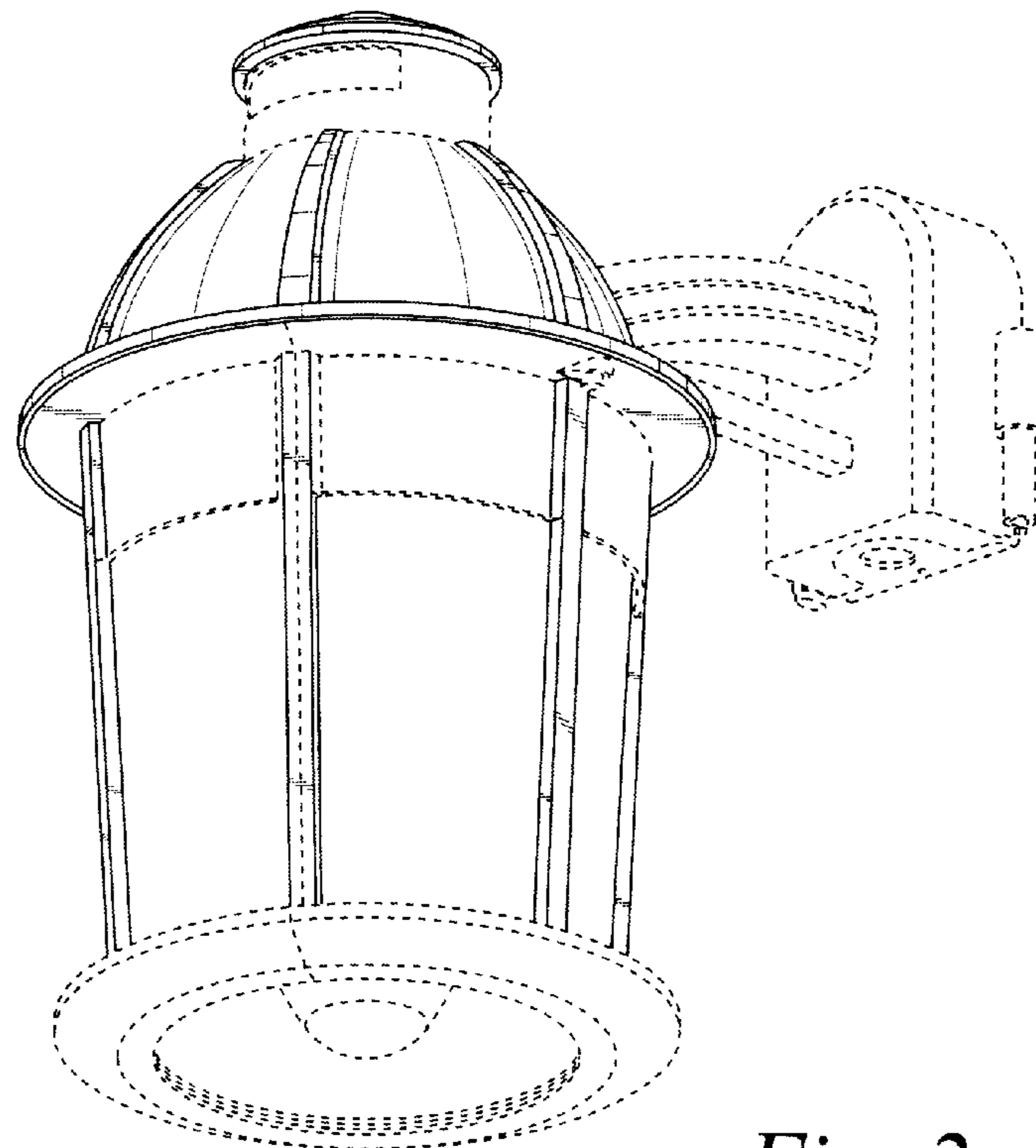


Fig. 2

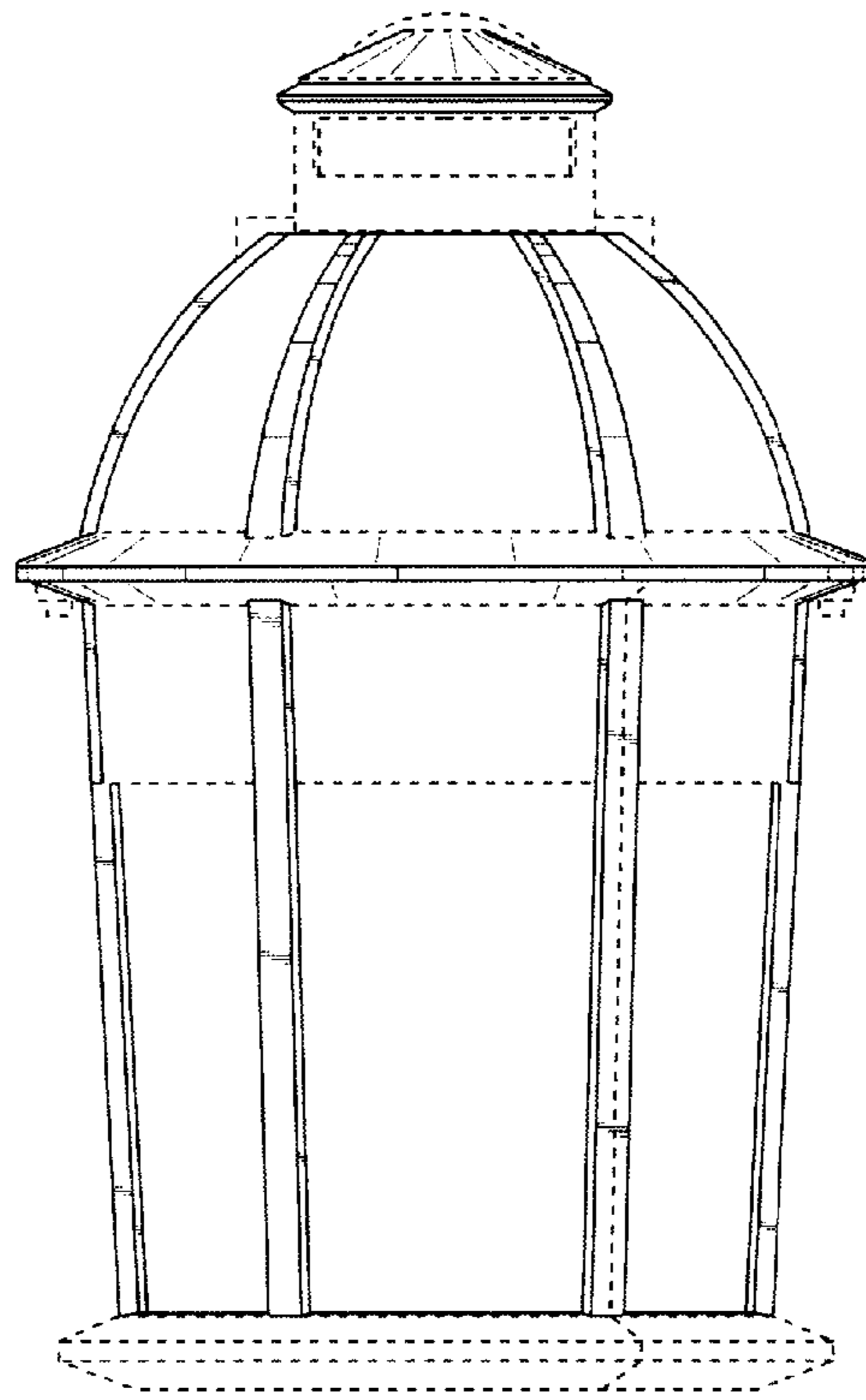


Fig. 3

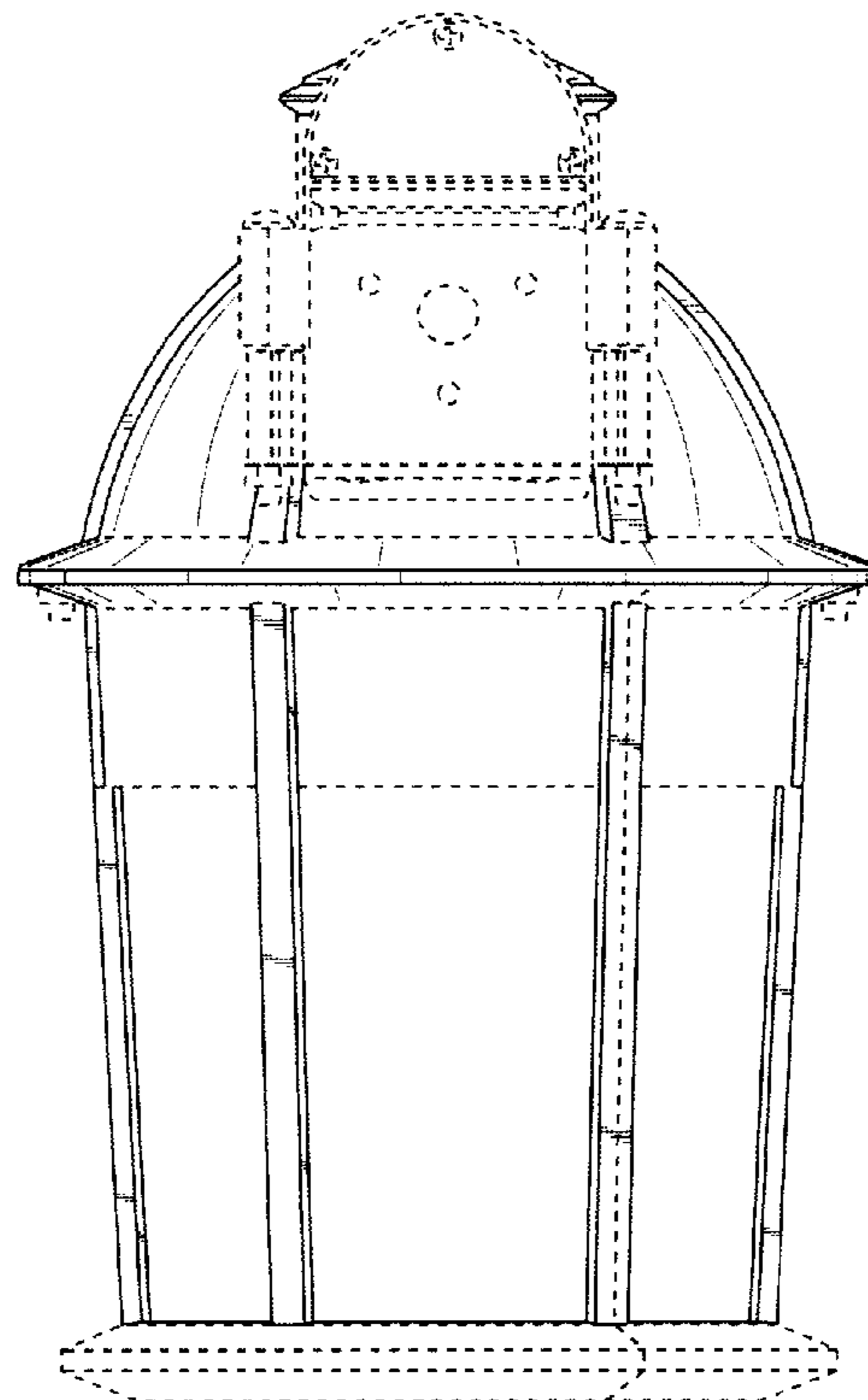


Fig. 4

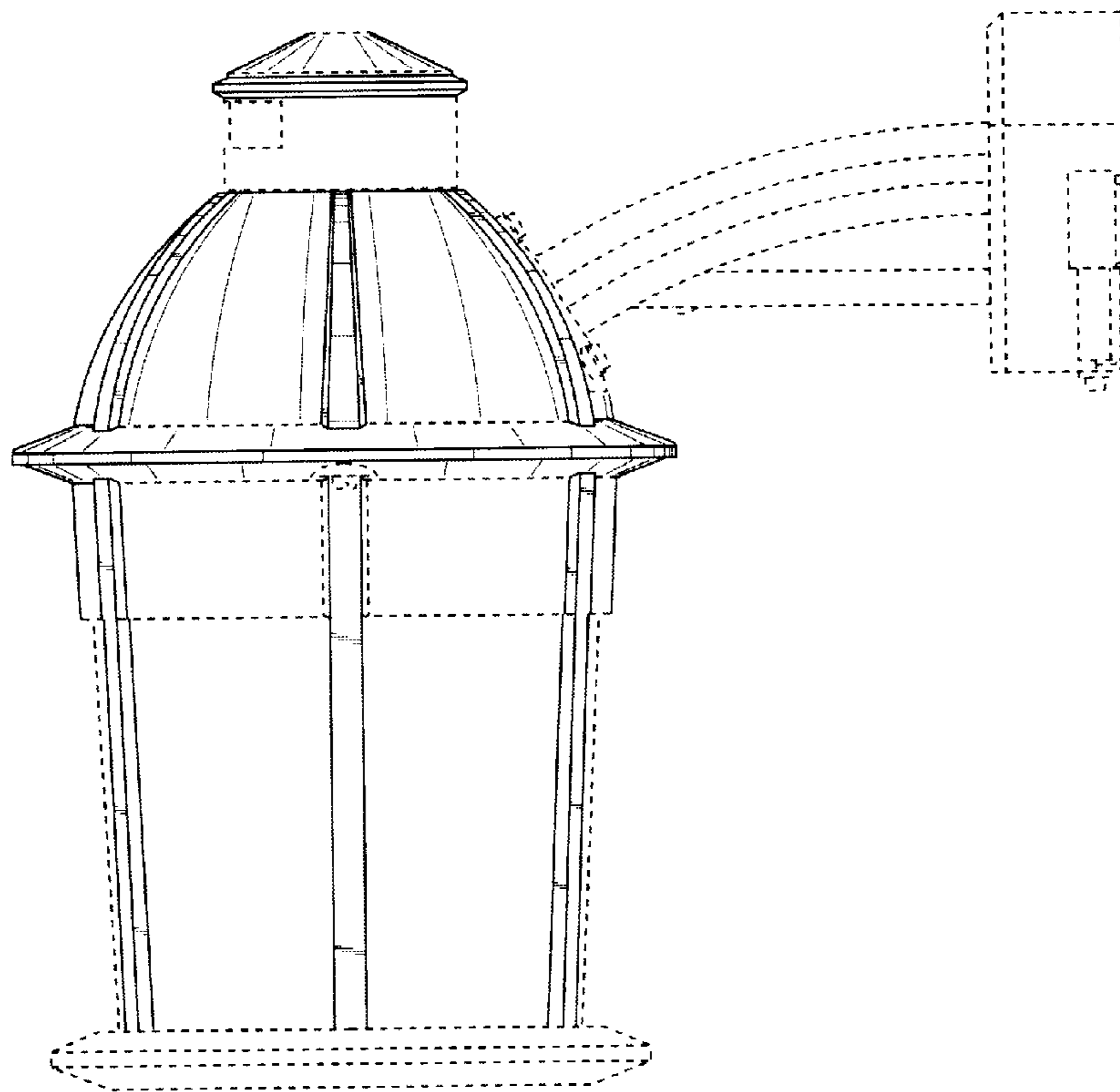


Fig. 5

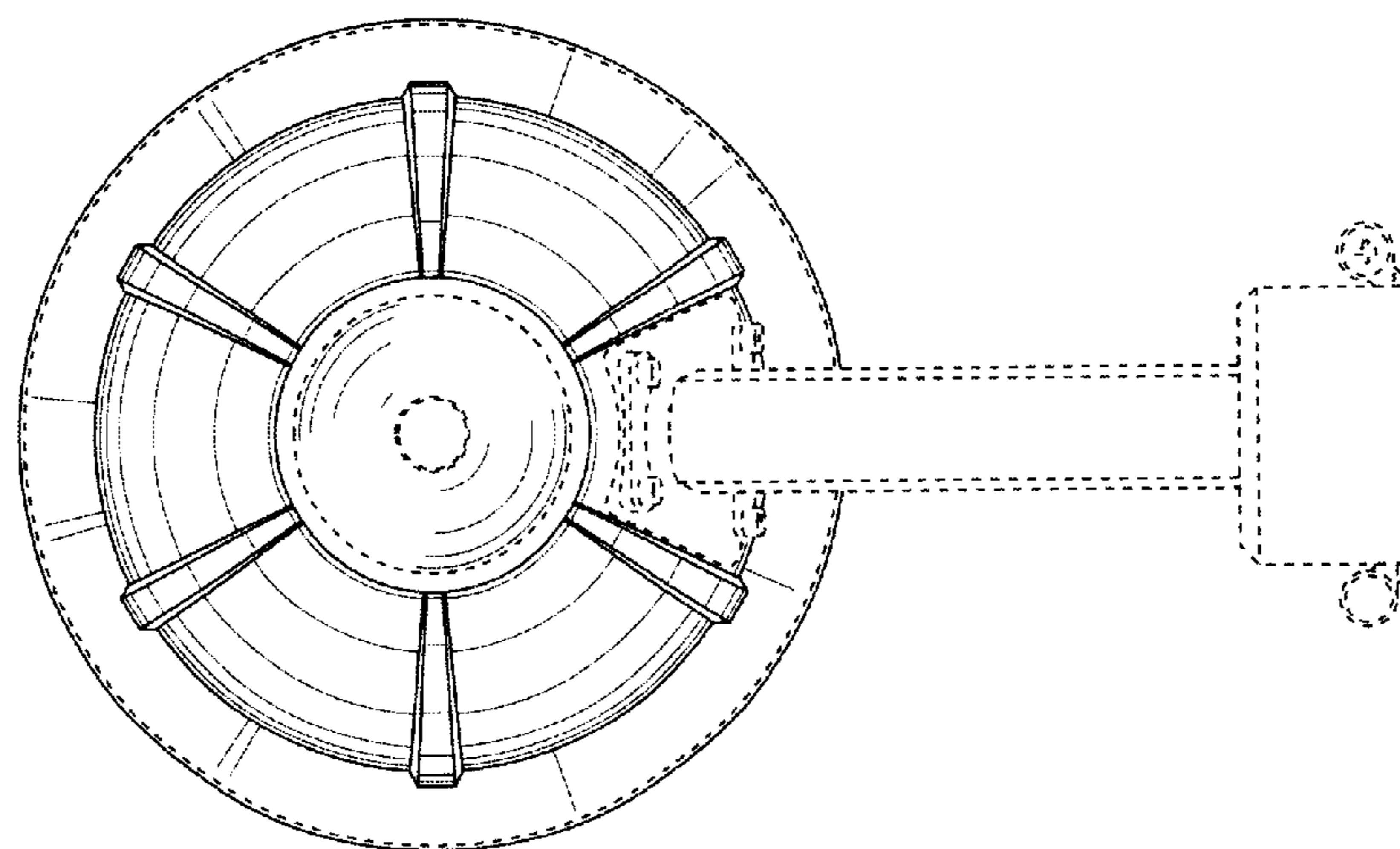


Fig. 6