

US00D538457S

(12) **United States Design Patent**
Kovacik et al.

(10) **Patent No.:** **US D538,457 S**
(45) **Date of Patent:** **** Mar. 13, 2007**

(54) **RECHARGEABLE FLUORESCENT UTILITY LIGHT**

(75) Inventors: **James D. Kovacik**, Brecksville, OH (US); **Paul S. Blanch**, Broadview Heights, OH (US); **Joseph J. Smith**, Wooster, OH (US)

(73) Assignee: **Alert Safety Lite Products Co, Inc.**, Bedford Heights, OH (US)

(**) Term: **14 Years**

(21) Appl. No.: **29/254,199**

(22) Filed: **Feb. 17, 2006**

(51) **LOC (8) Cl.** **26-02**

(52) **U.S. Cl.** **D26/42**

(58) **Field of Classification Search** D26/37-50;
362/157, 158, 171-174, 183-208
See application file for complete search history.

(56) **References Cited**

U.S. PATENT DOCUMENTS

- D235,573 S 6/1975 Brych
- 4,262,327 A 4/1981 Kovacik et al.
- 4,432,043 A 2/1984 Yuen
- 4,442,984 A 4/1984 Bayat
- 4,774,647 A 9/1988 Kovacik
- 4,958,267 A 9/1990 Baake
- 5,023,764 A 6/1991 McKinnon et al.
- 5,115,382 A 5/1992 Smith
- 5,243,505 A 9/1993 Carr
- 5,301,093 A 4/1994 Baggio
- D348,249 S 6/1994 Hester
- 5,465,196 A 11/1995 Hasenberg et al.
- D367,123 S 2/1996 Blye
- 5,528,477 A 6/1996 Carmo
- 5,700,089 A 12/1997 McKinnon
- D389,931 S 1/1998 Kovacik et al.
- 5,765,941 A 6/1998 Vest
- 5,818,234 A 10/1998 McKinnon
- D409,776 S 5/1999 Ghode et al.
- 5,921,658 A 7/1999 Kovacik et al.
- 5,975,719 A 11/1999 Reiff et al.

- D418,238 S 12/1999 Offler
- D421,142 S 2/2000 Bayat
- D421,143 S 2/2000 Kovacik et al.
- 6,123,434 A 9/2000 Meltzer
- 6,132,071 A 10/2000 Yuen
- 6,169,373 B1 1/2001 Riesinger
- D439,354 S 3/2001 Yuen
- D441,888 S * 5/2001 Haneda et al. D26/42
- 6,260,442 B1 7/2001 Bayat

(Continued)

FOREIGN PATENT DOCUMENTS

- DE 198 02 998 8/1998
- DE 203 17 017 2/2004
- WO WO02/03761 1/2002

OTHER PUBLICATIONS

Ferret Workline AC, Jun. 4, 2002, www.ferretinstruments.com.
 Bayco SL-2105, Bayco SL-2106, Apr. 1, 2003, www.budgetlighting.com.
 Derwent No. 1986-202803, Lock et al., Current passage monitor for electrical conductor—uses DC voltage drop measurement at two separate points to activate LED which indicates current is reaching equipment, e.g. lamp.

Primary Examiner—Marcus A. Jackson
 (74) *Attorney, Agent, or Firm*—Butzel Long

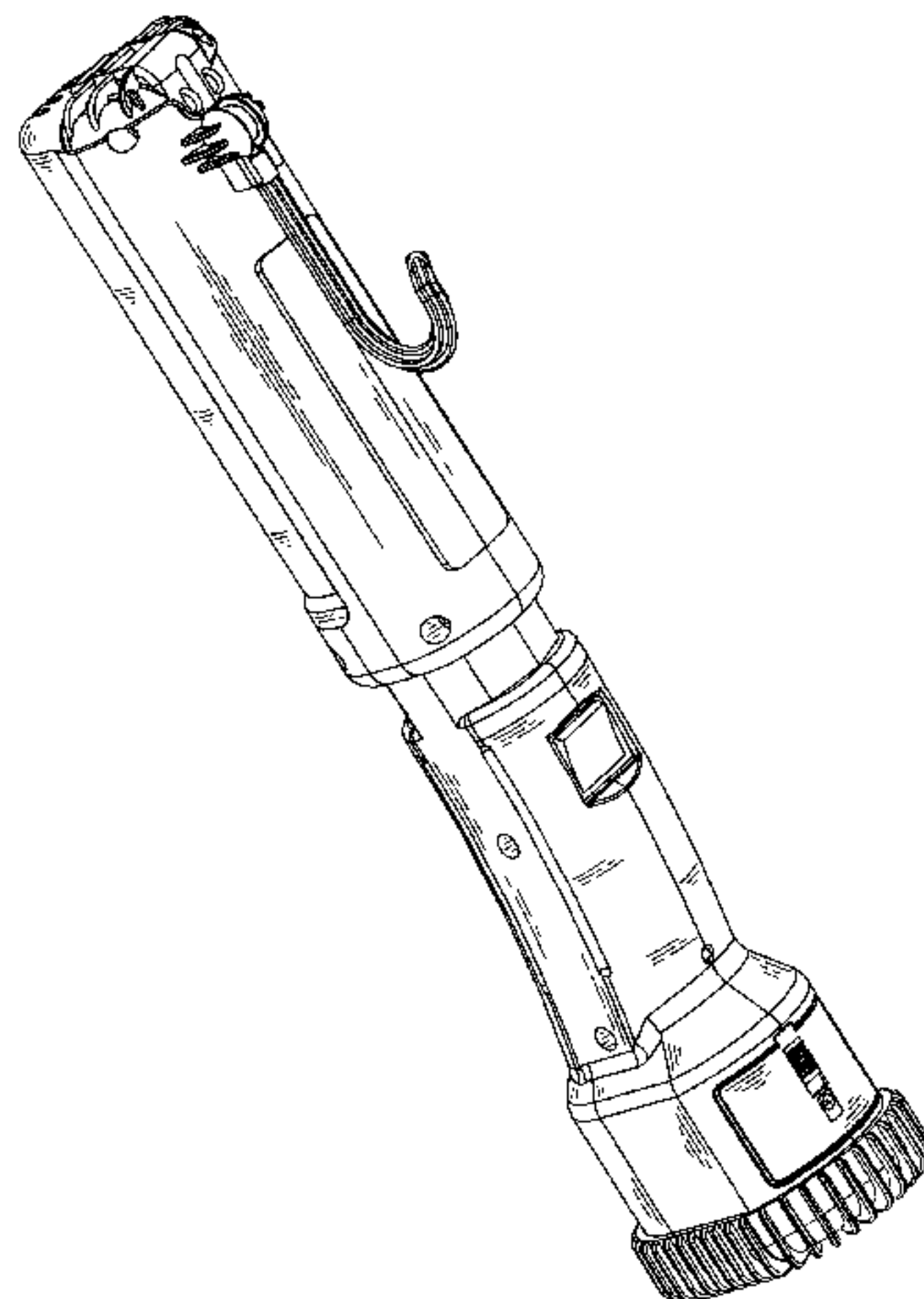
(57) **CLAIM**

The ornamental design for a rechargeable fluorescent utility light, as shown.

DESCRIPTION

FIG. 1 is a rear perspective view of a rechargeable fluorescent utility light of the present invention;
 FIG. 2 is a left side elevation view thereof;
 FIG. 3 is a front elevation view thereof;
 FIG. 4 is a right side elevation view thereof;
 FIG. 5 is a rear elevation view thereof;
 FIG. 6 is a top plan view thereof; and,
 FIG. 7 is a bottom plan view thereof.

1 Claim, 4 Drawing Sheets



US D538,457 S

Page 2

U.S. PATENT DOCUMENTS

6,367,949 B1	4/2002	Pederson	6,722,774 B2	4/2004	Kovacik et al.	
6,386,736 B1	5/2002	Reiff et al.	D501,687 S *	2/2005	Kovacik et al.	D26/42
D458,400 S	6/2002	Kovacik et al.	D505,217 S *	5/2005	Bayat et al.	D26/42
6,534,926 B1	3/2003	Miller et al.	D519,659 S *	4/2006	Yuen	D26/42
D483,508 S	12/2003	Galvez	D526,077 S *	8/2006	Leen	D26/42
D483,893 S	12/2003	Galvez	2002/0191396 A1	12/2002	Reiff et al.	
D484,628 S	12/2003	Bayat et al.	2003/0039121 A1	2/2003	Nezigane	
6,663,265 B2	12/2003	Kovacik et al.	2003/0123254 A1	7/2003	Brass et al.	
D486,599 S	2/2004	Bayat et al.	2003/0179572 A1	9/2003	Schnell	

* cited by examiner

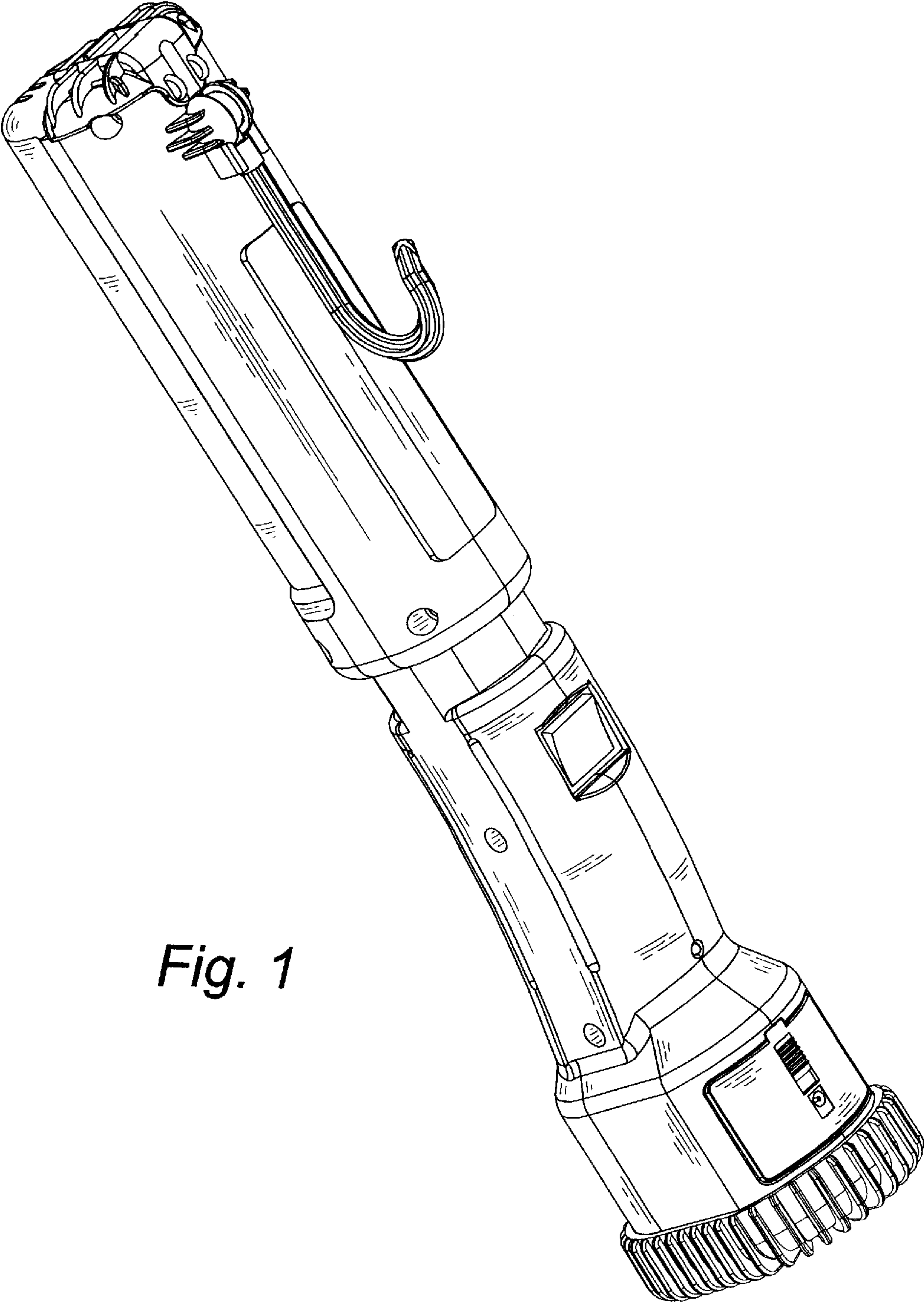


Fig. 1

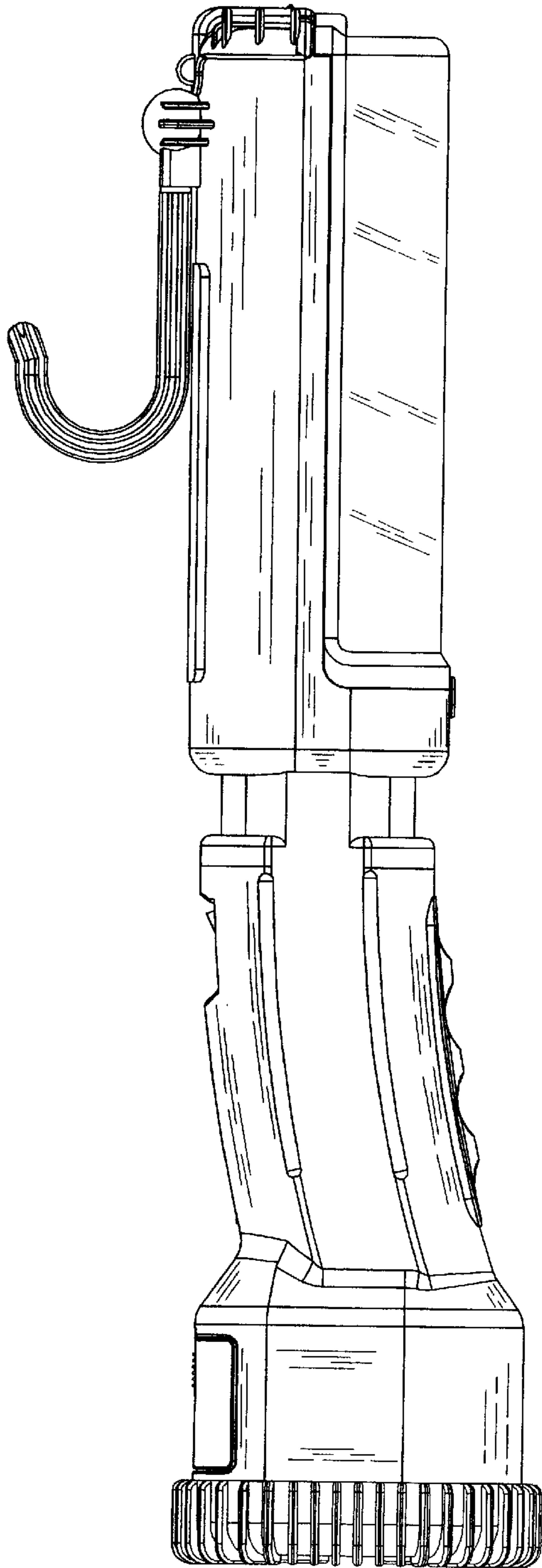


Fig. 2

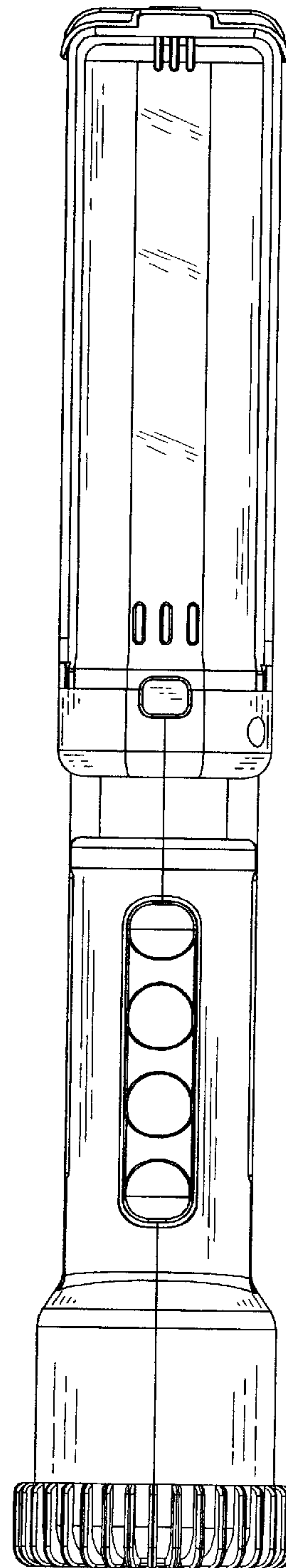


Fig. 3

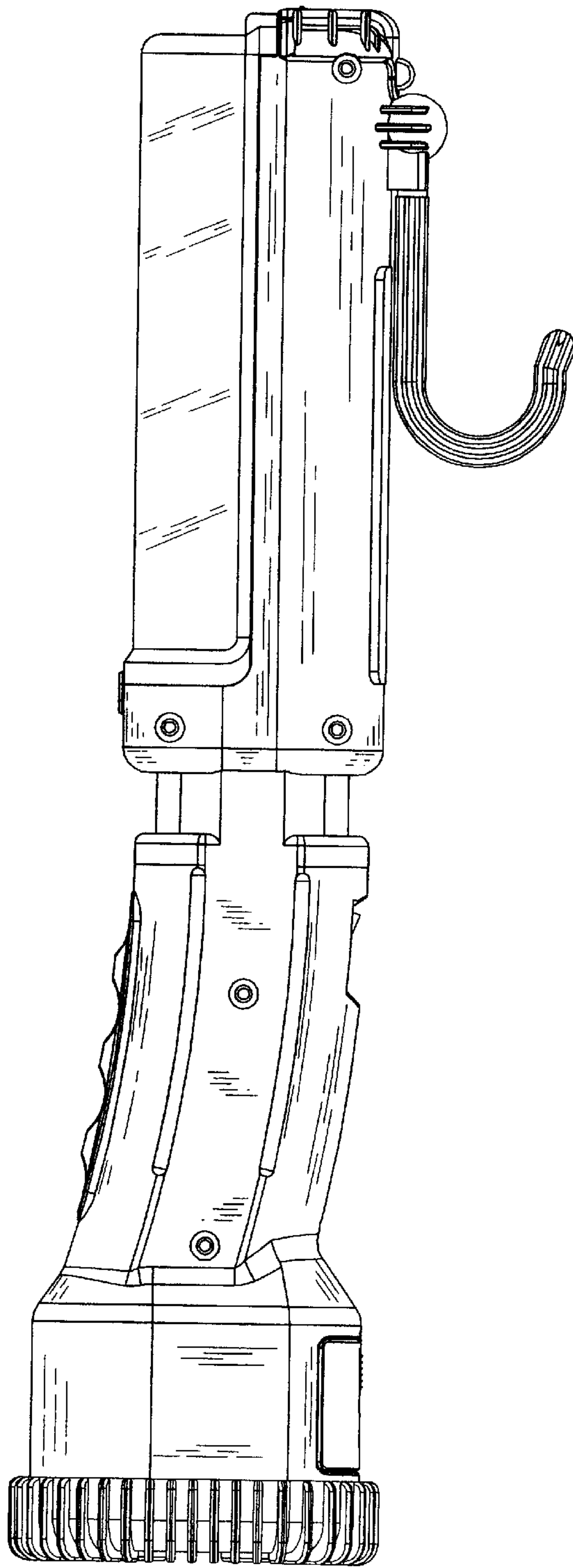


Fig. 4

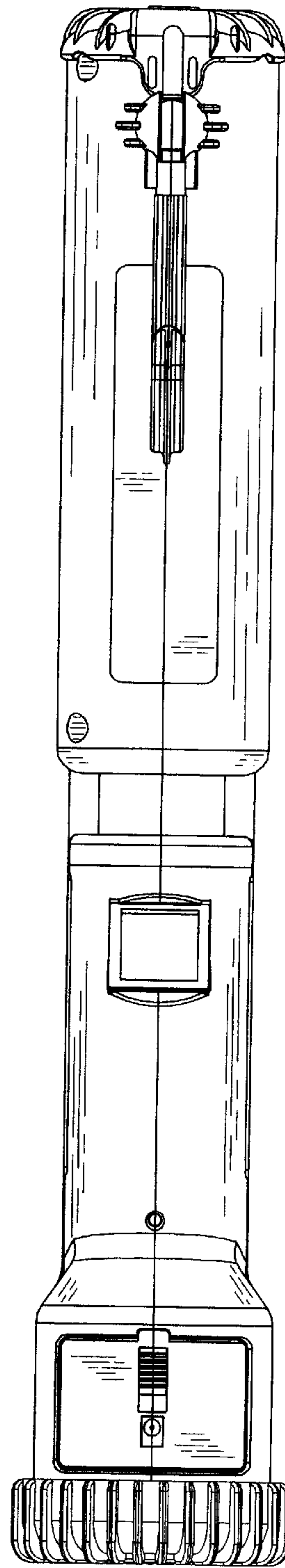


Fig. 5

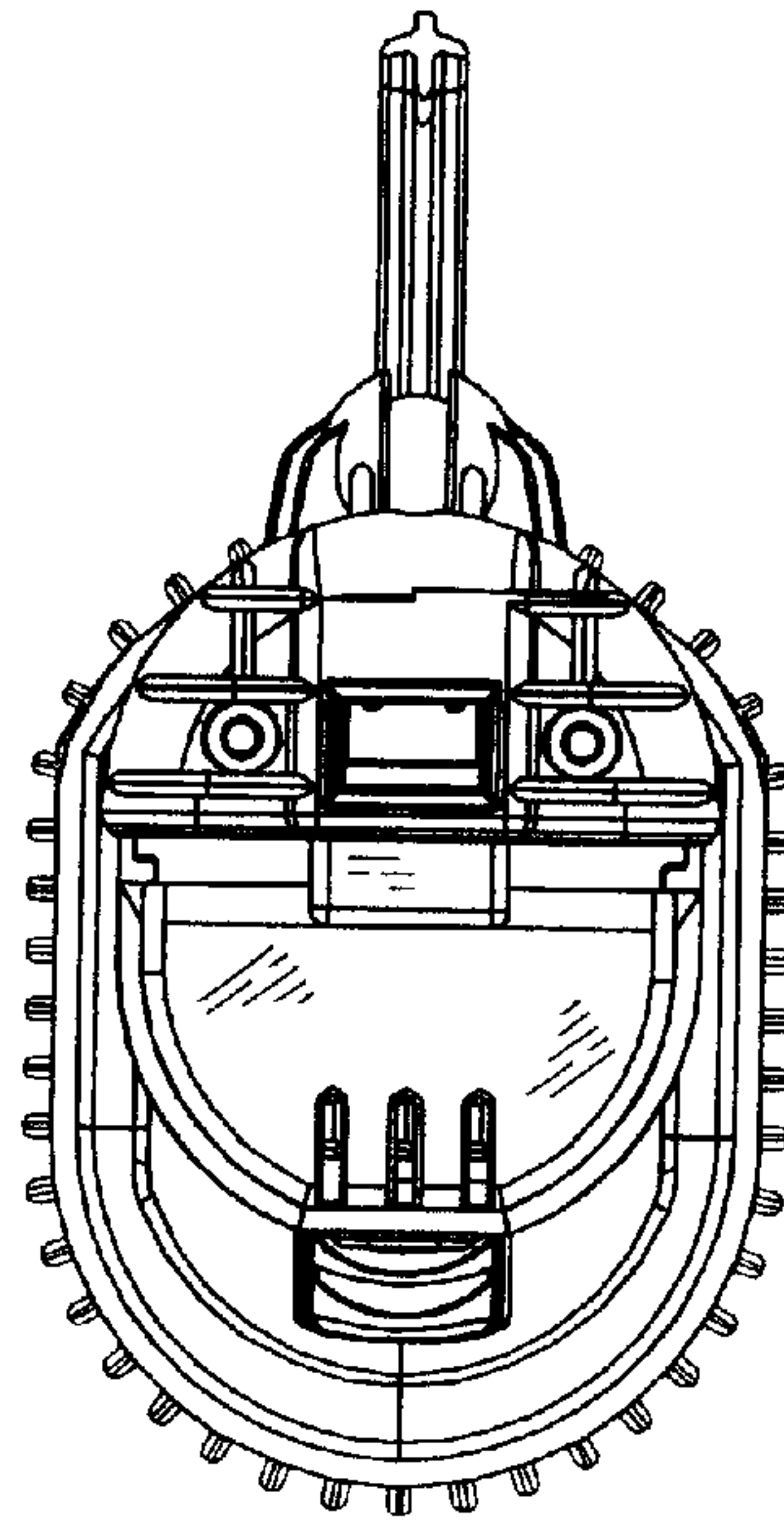


Fig. 6

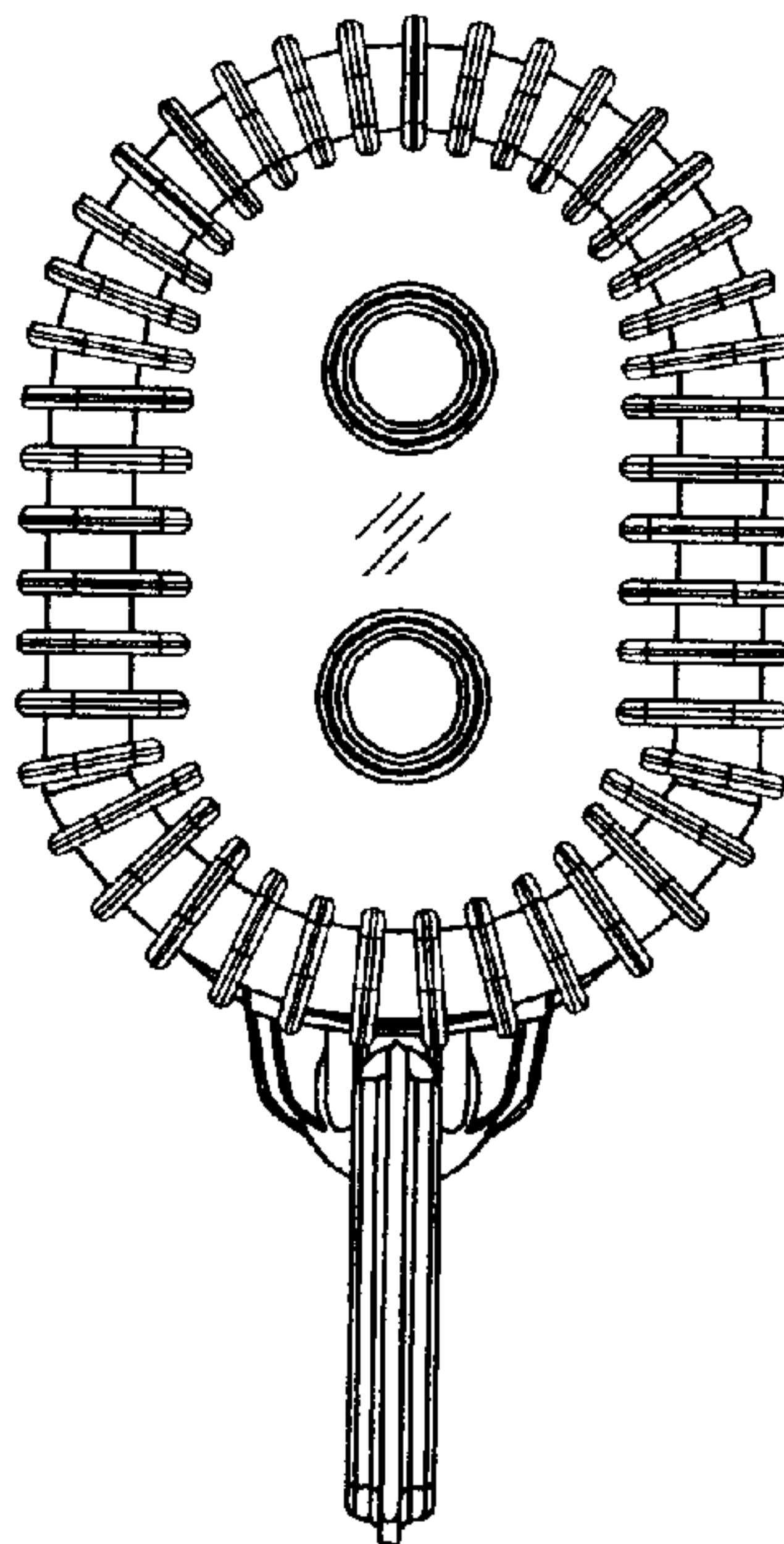


Fig. 7