



US00D538455S

(12) **United States Design Patent**
Lo et al.

(10) **Patent No.:** **US D538,455 S**
(45) **Date of Patent:** **** Mar. 13, 2007**

(54) **LANTERN**

(75) Inventors: **Eddie Ying-Hoi Lo**, Hong Kong SAR (HK); **Victor Tin-Shun Au Yeung**, Hong Kong SAR (HK)

(73) Assignee: **Lomak Industrial Co., Ltd.**, Hong Kong SAR (CN)

(**) Term: **14 Years**

(21) Appl. No.: **29/240,137**

(22) Filed: **Oct. 11, 2005**

(51) **LOC (8) Cl.** **26-02**

(52) **U.S. Cl.** **D26/40**

(58) **Field of Classification Search** D26/37-50;
362/157, 158, 171-174, 183-208
See application file for complete search history.

(56) **References Cited**

U.S. PATENT DOCUMENTS

D429,354 S * 8/2000 Petterson D26/40

D486,931 S * 2/2004 Lee D26/38
D509,921 S * 9/2005 Lam D26/40
D524,968 S * 7/2006 Poon D26/40

* cited by examiner

Primary Examiner—Marcus A. Jackson

(74) *Attorney, Agent, or Firm*—Buchanan Ingersoll & Rooney PC

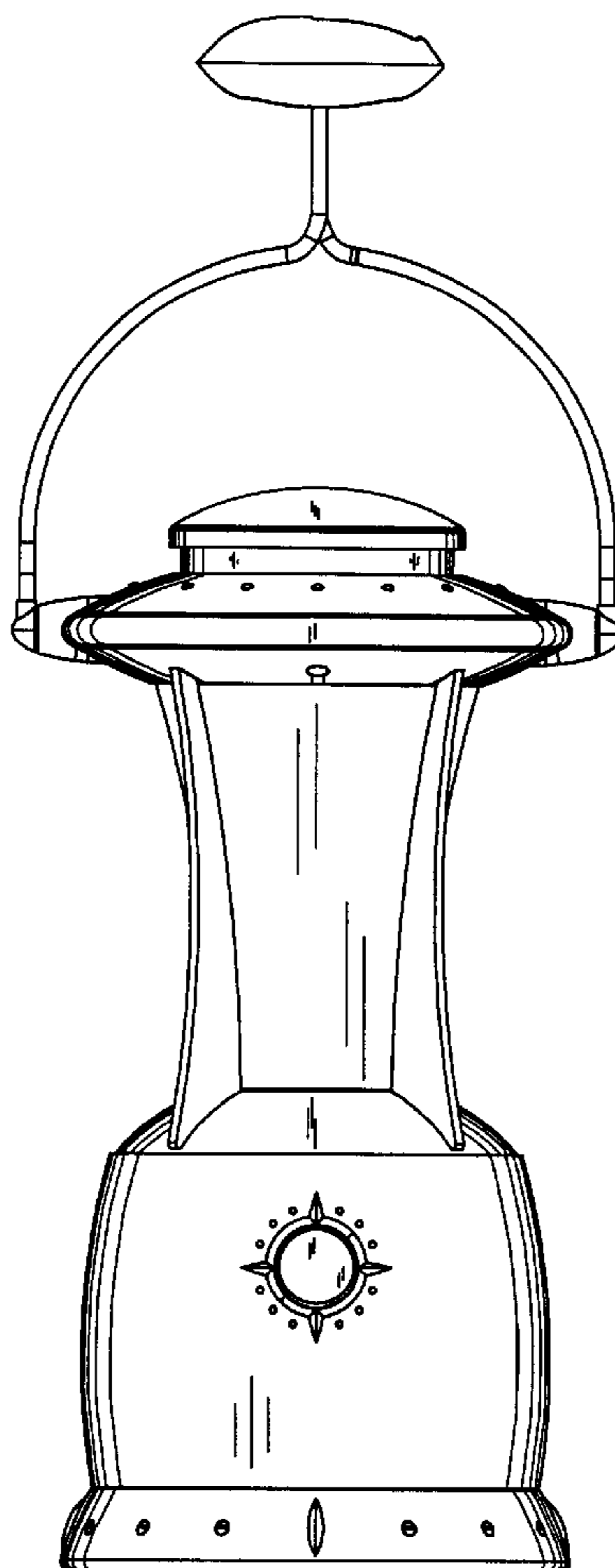
(57) **CLAIM**

The ornamental design for a “lantern,” as shown and described.

DESCRIPTION

FIG. 1 is a front view of a “lantern” incorporating our design;
FIG. 2 is a rear view thereof;
FIG. 3 is an elevation view thereof from the left side;
FIG. 4 is an elevation view thereof from the right side;
FIG. 5 is a top view thereof; and,
FIG. 6 is a bottom view thereof.

1 Claim, 2 Drawing Sheets



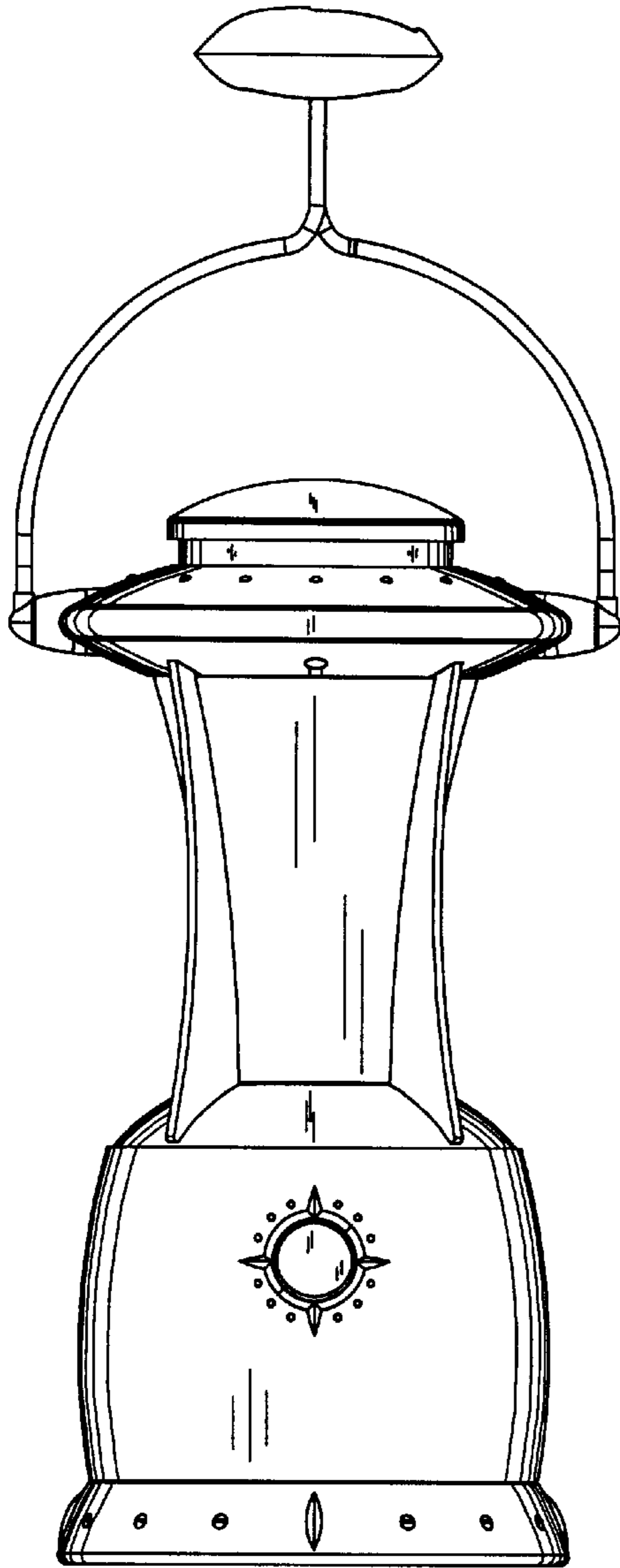


Fig. 1

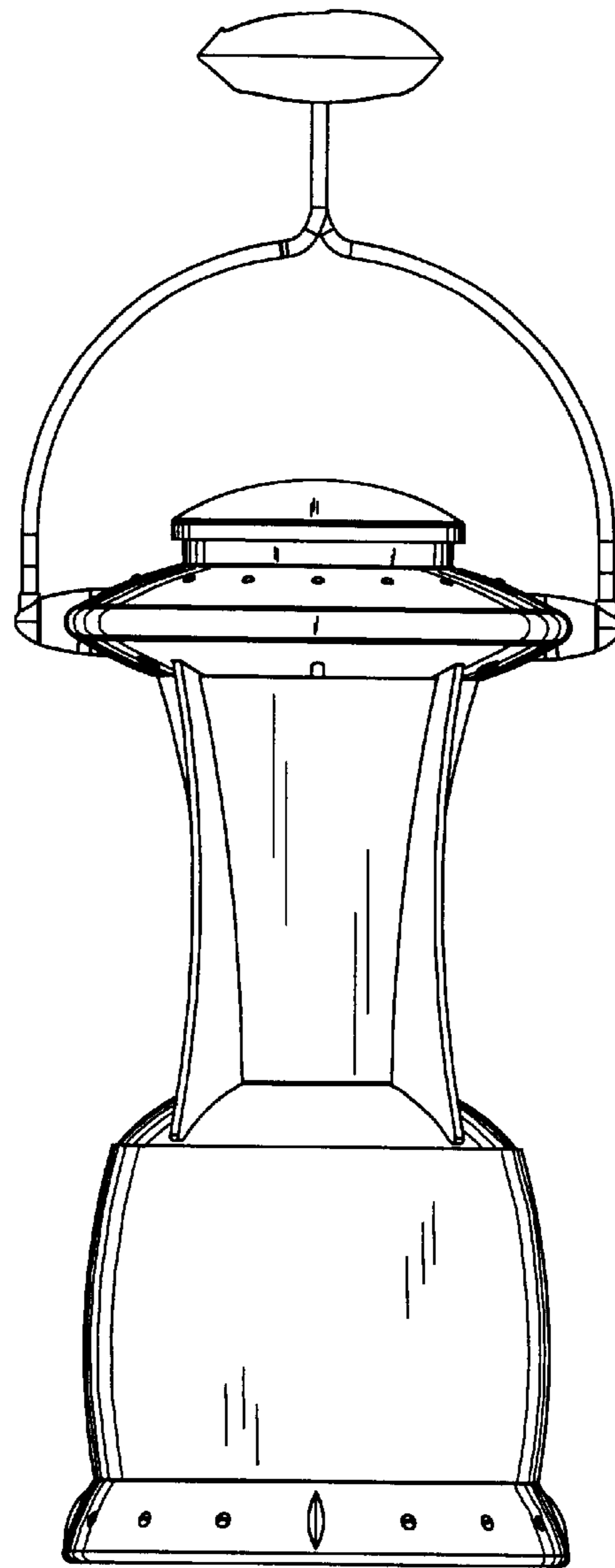


Fig. 2

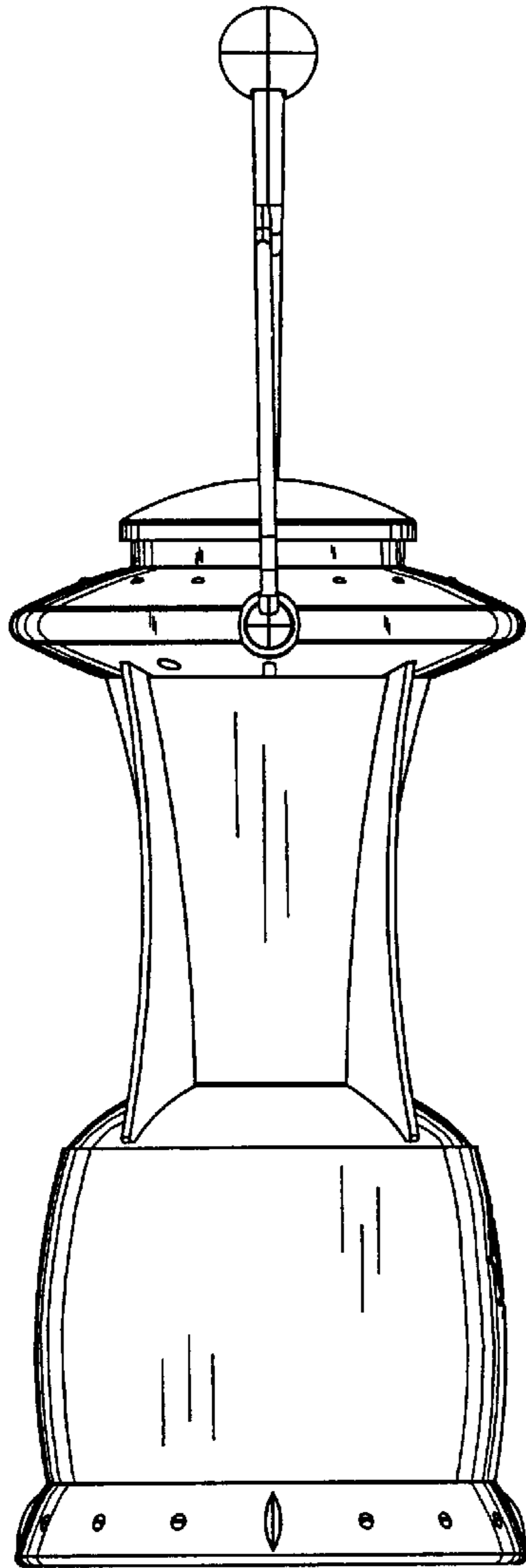


Fig. 3

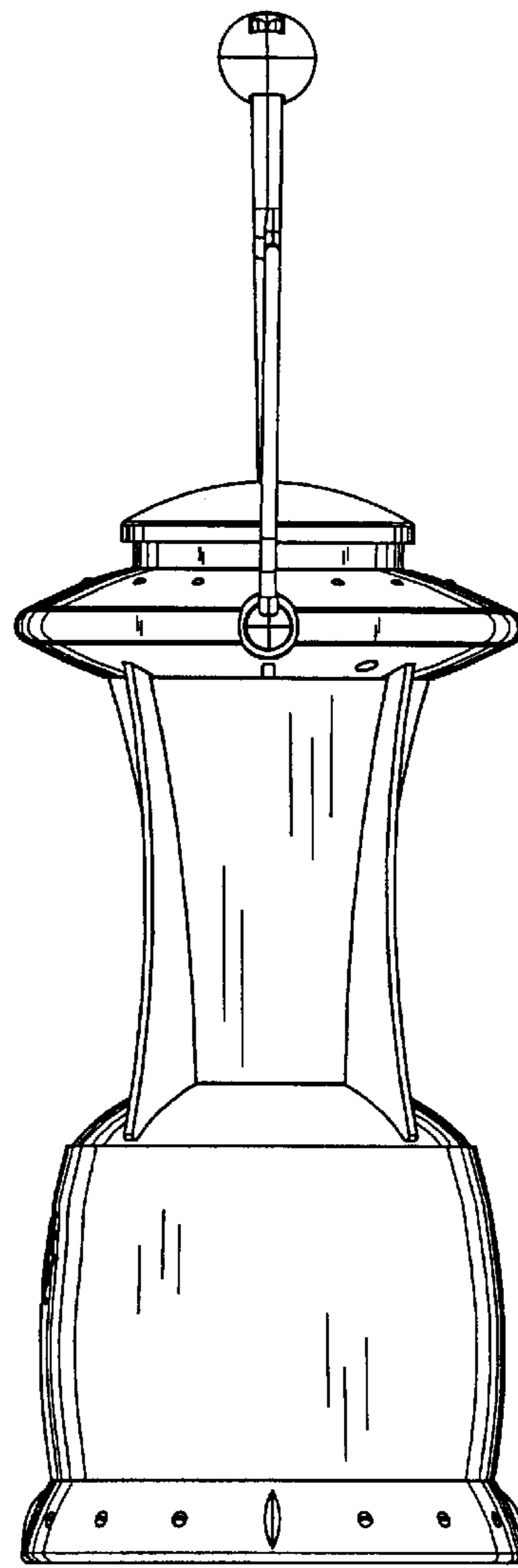


Fig. 4

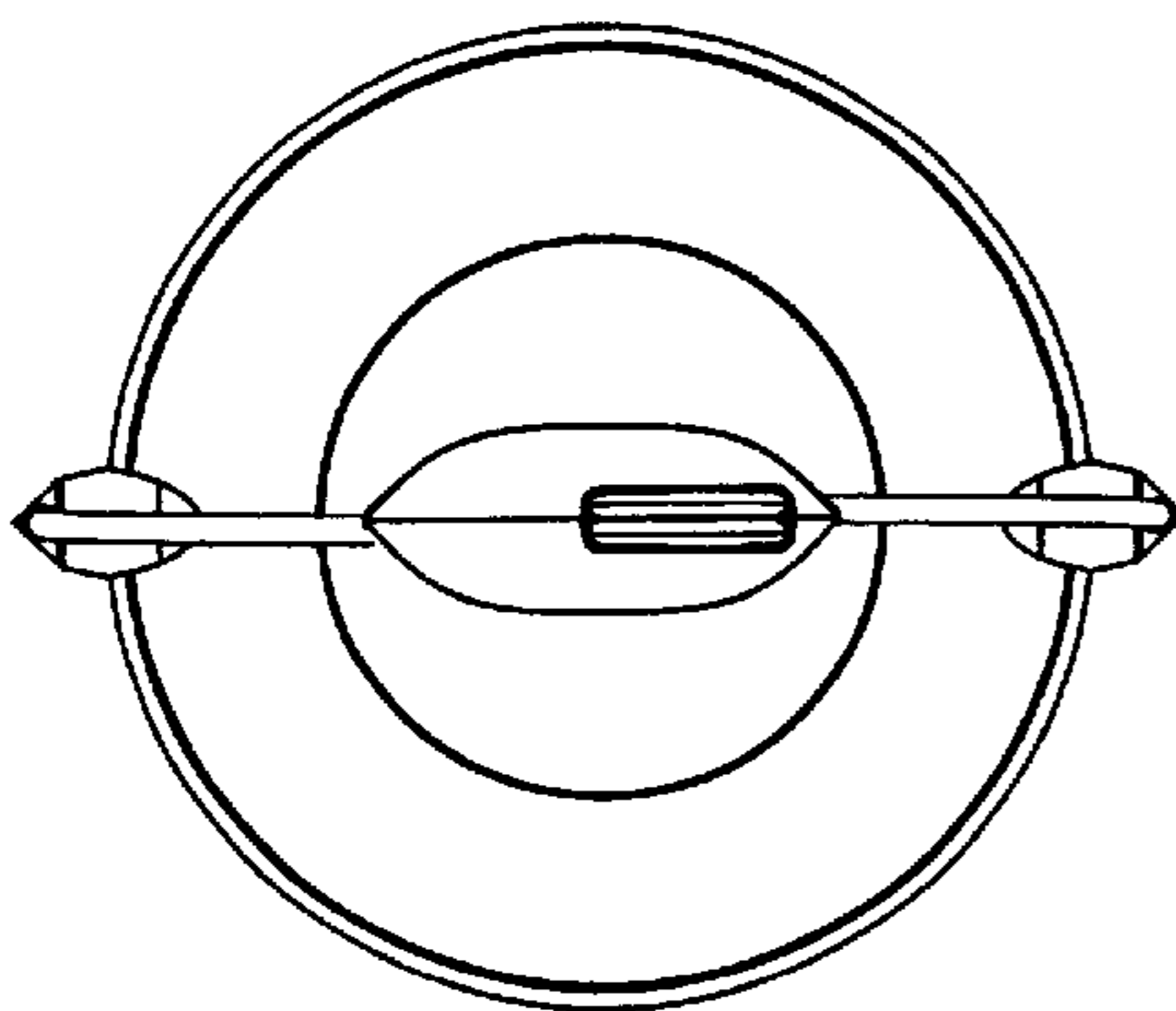


Fig. 5

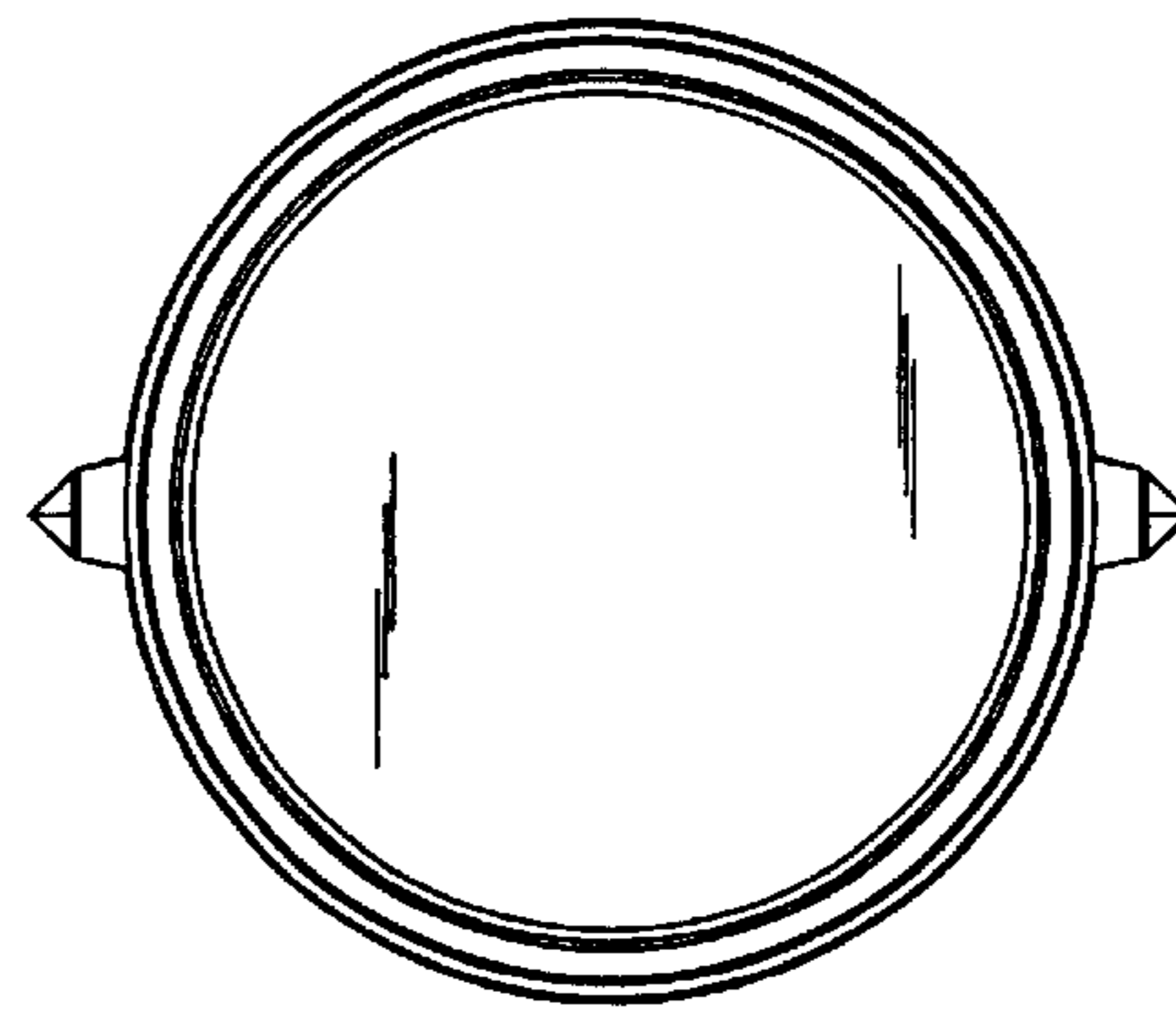


Fig. 6