



US00D538454S

(12) **United States Design Patent**
Shimoguchi et al.

(10) **Patent No.:** **US D538,454 S**

(45) **Date of Patent:** **** Mar. 13, 2007**

(54) **FRONT COMBINATION LAMP FOR A MOTOR VEHICLE**

(75) Inventors: **Kenta Shimoguchi**, Aichi-ken (JP);
Jinichi Sato, Tokyo (JP)

(73) Assignee: **Toyota Jidosha Kabushiki Kaisha**,
Aichi-ken (JP)

(**) **Term:** **14 Years**

(21) **Appl. No.:** **29/253,268**

(22) **Filed:** **Feb. 3, 2006**

(51) **LOC (8) Cl.** **26-06**

(52) **U.S. Cl.** **D26/28**

(58) **Field of Classification Search** D26/28-36;
362/459-468, 475-478, 485-487
See application file for complete search history.

(56) **References Cited**

U.S. PATENT DOCUMENTS

D481,144 S	10/2003	Takei	
D483,134 S	* 12/2003	Shih	D26/28
D484,262 S	* 12/2003	Liao	D26/28
D485,923 S	* 1/2004	Kuo	D26/28
D490,171 S	* 5/2004	Hung	D26/28
D507,362 S	* 7/2005	Minami	D26/28
D528,683 S	* 9/2006	Kato et al.	D26/28

OTHER PUBLICATIONS

Brochure of Dodge Ram, Aug. 2003, Daimler Chrysler Corporation, Dodge Ram.

Brochure of Tacoma, 2004, Toyota Jidosha Kabushiki Kaisha, Toyota Tacoma.

Los Angeles Auto Show Program Guide 2003, Jan. 2003, Lincoln Navigator, Mfg.: Ford Motor Company.

Public relations material, 2003 Ford Motor Company, FORD F-150.

* cited by examiner

Primary Examiner—Marcus A. Jackson

(74) *Attorney, Agent, or Firm*—Finnegan, Henderson, Farabow, Garrett & Dunner, L.L.P.

(57) **CLAIM**

The ornamental design for a front combination lamp for a motor vehicle, as shown and described.

DESCRIPTION

FIG. 1 is a perspective view of a front combination lamp for a motor vehicle of our new design;

FIG. 2 is a front view thereof;

FIG. 3 is a rear view thereof;

FIG. 4 is a top plan view thereof;

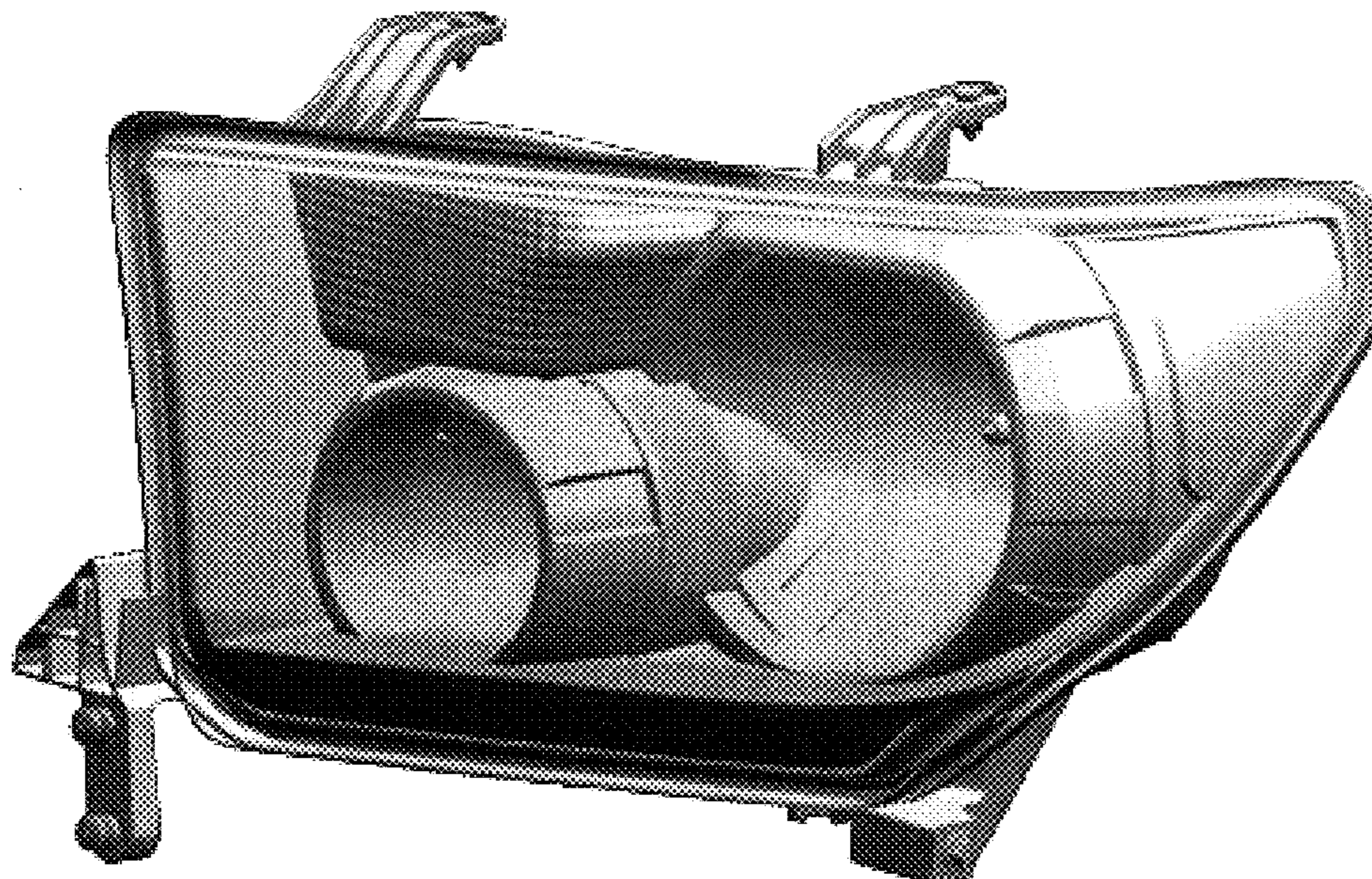
FIG. 5 is a bottom view thereof;

FIG. 6 is a left-side view thereof; and,

FIG. 7 is a right-side view thereof.

As used herein, right and left refer to the orientation of the design depicted in the figures above, not the right and left sides of the design when it is mounted on a motor vehicle. The design includes the mirror image of the embodiment depicted.

1 Claim, 3 Drawing Sheets



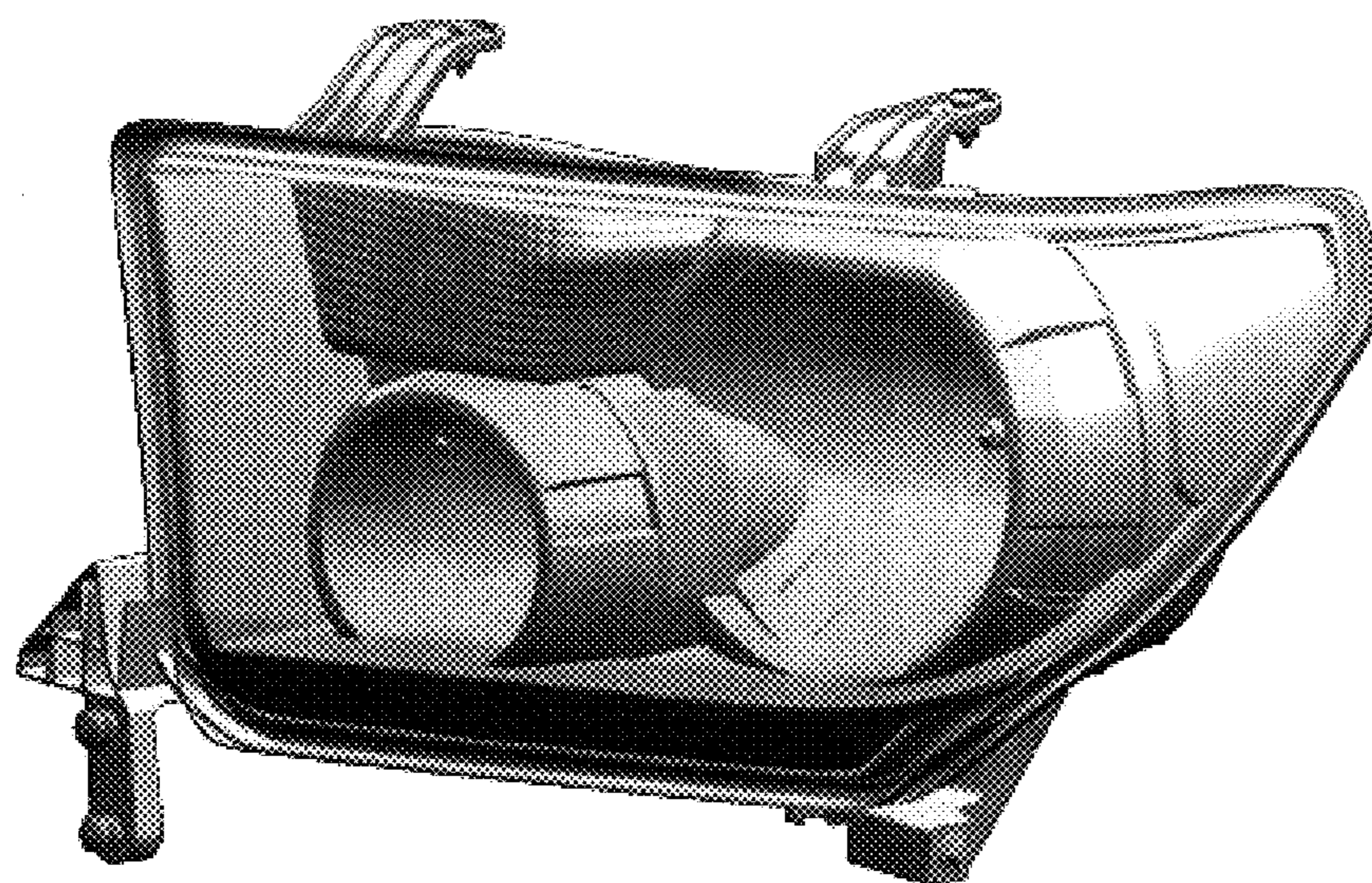


FIG. 1

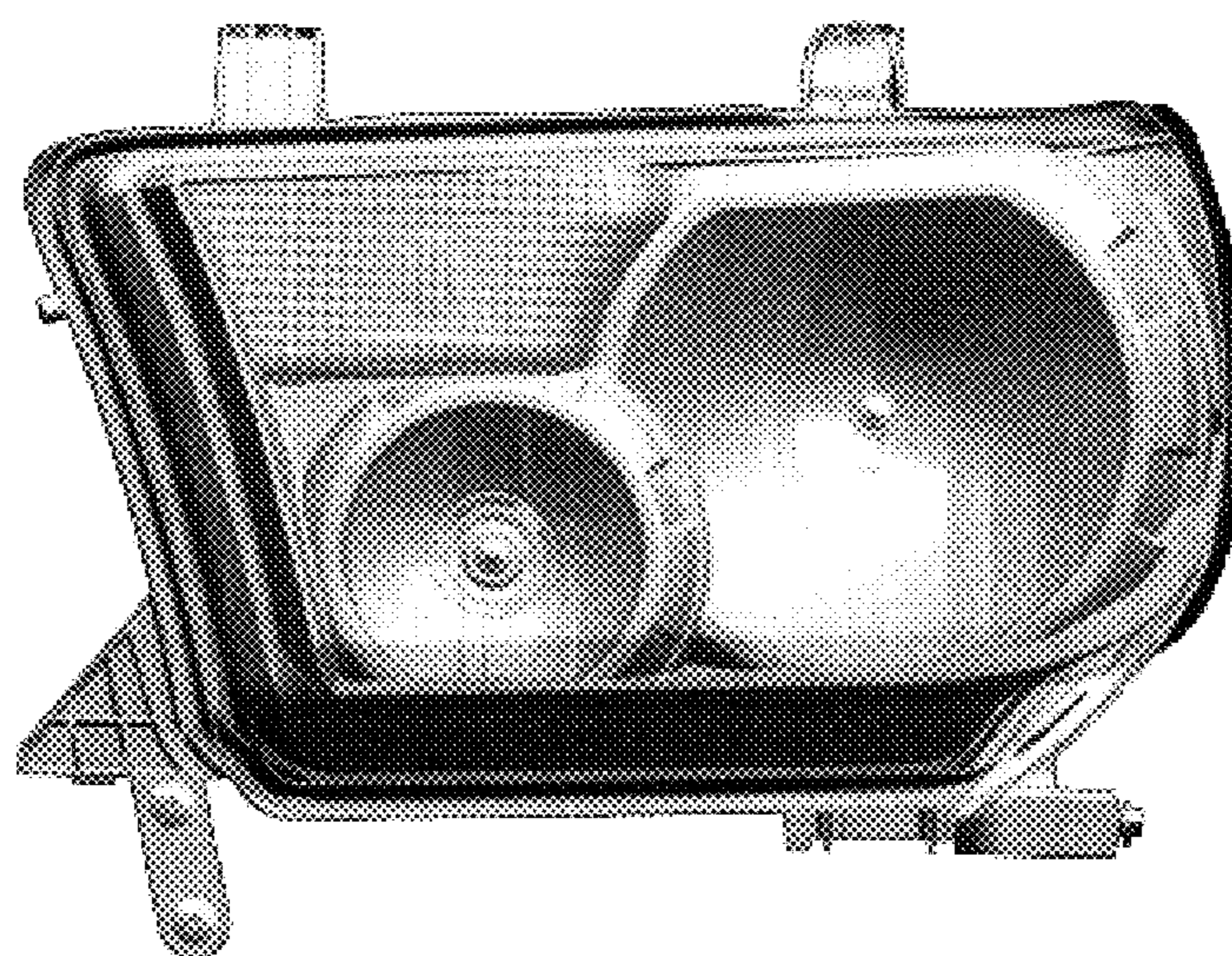


FIG. 2

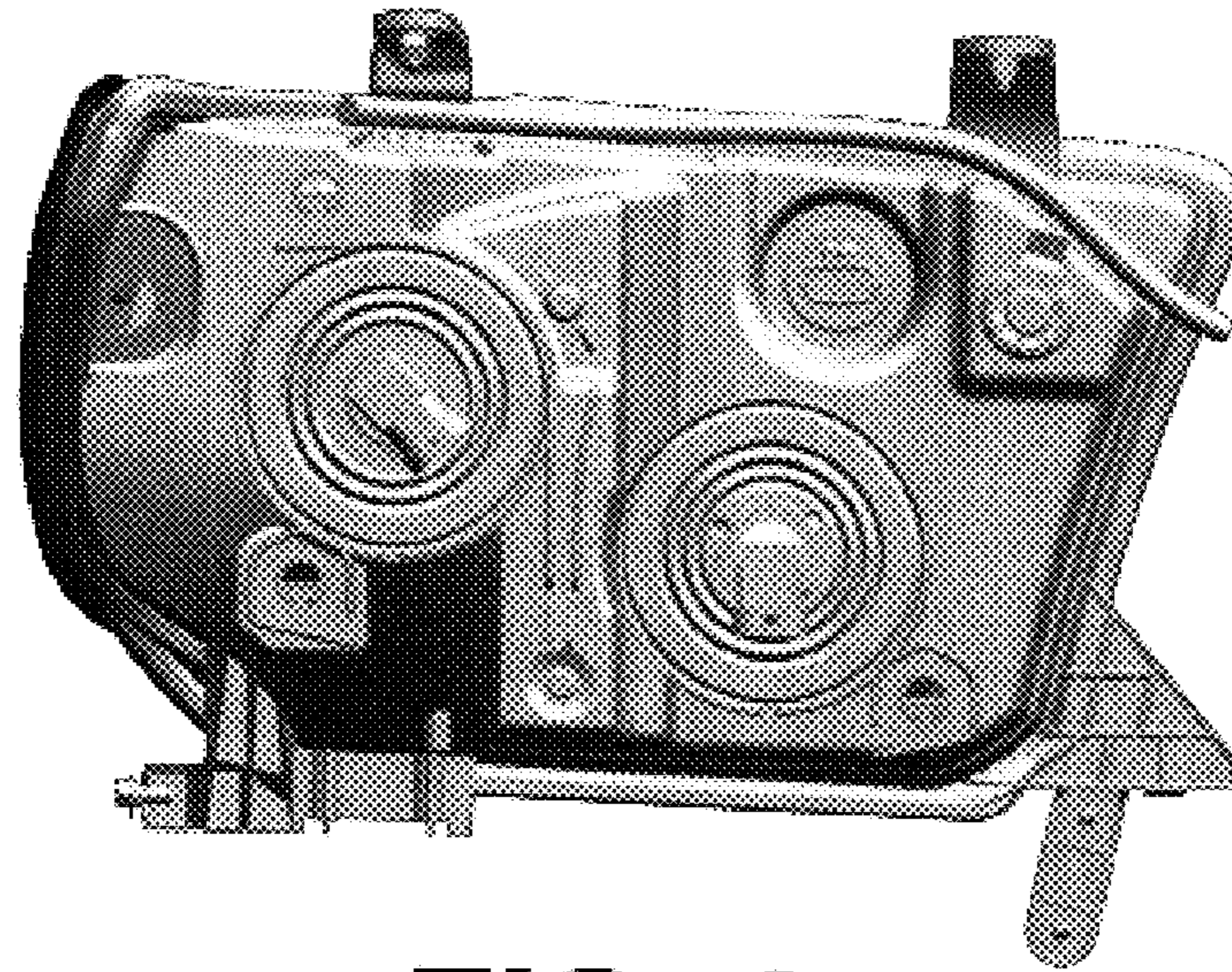


FIG. 3

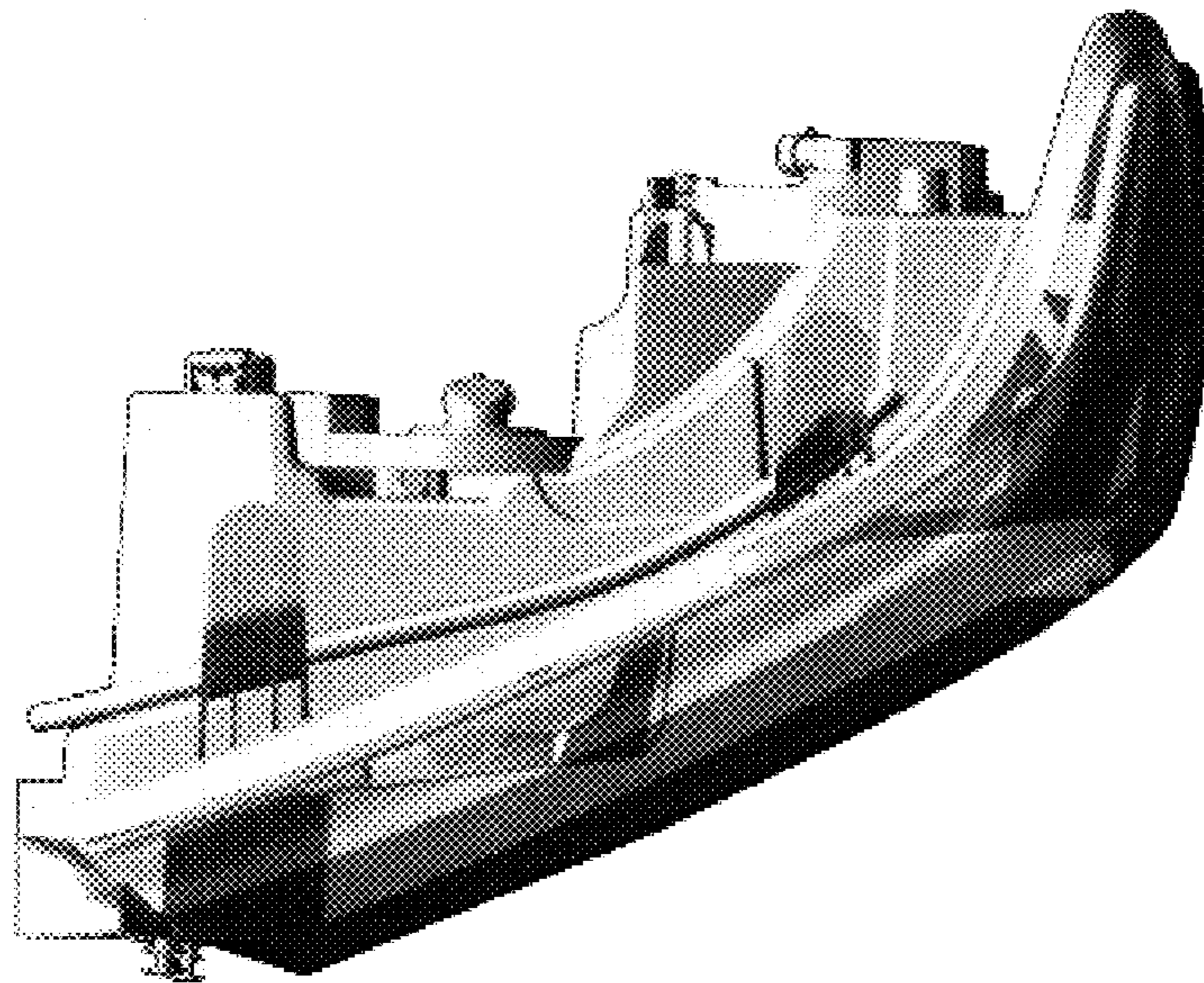


FIG. 4

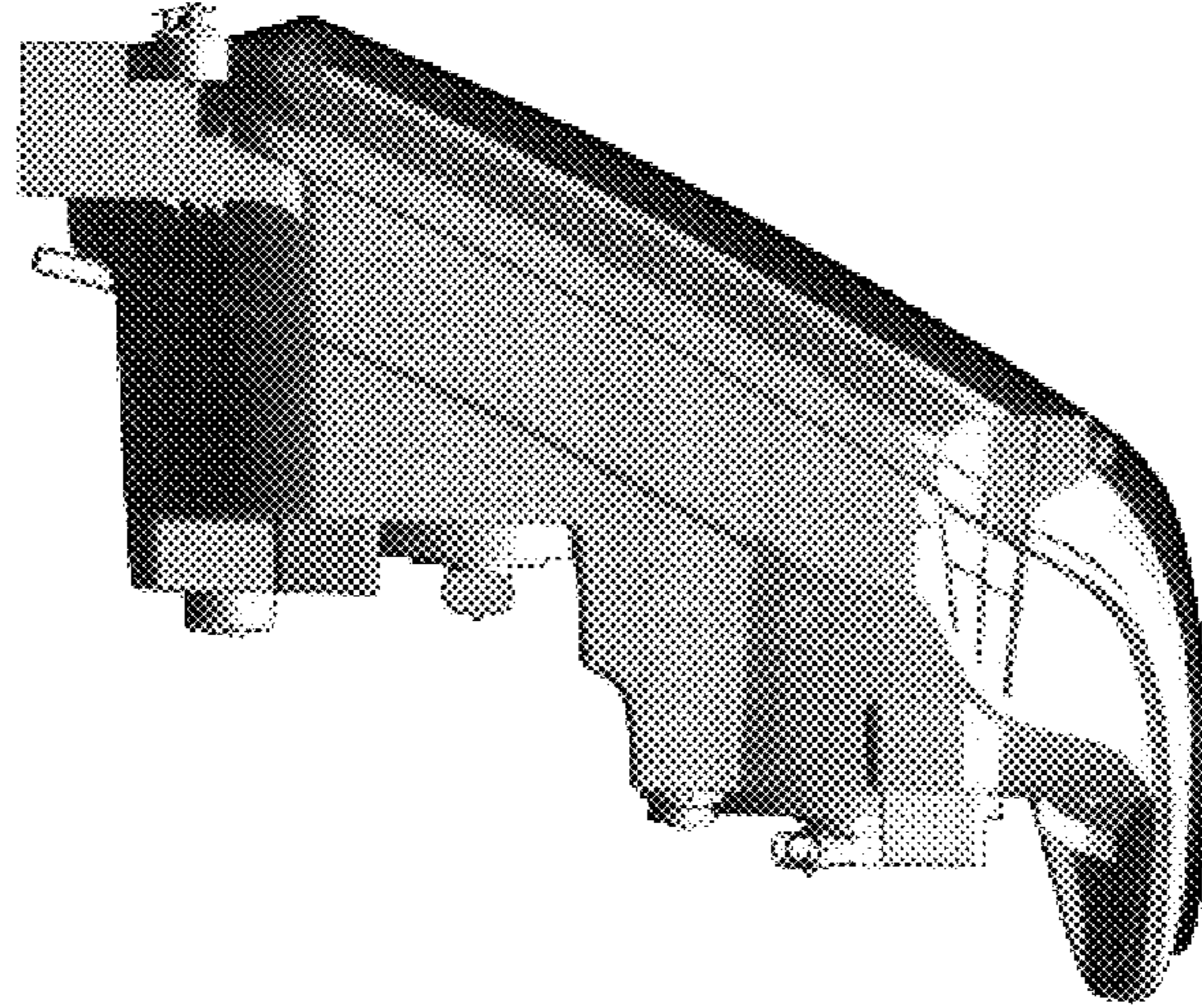


FIG. 5

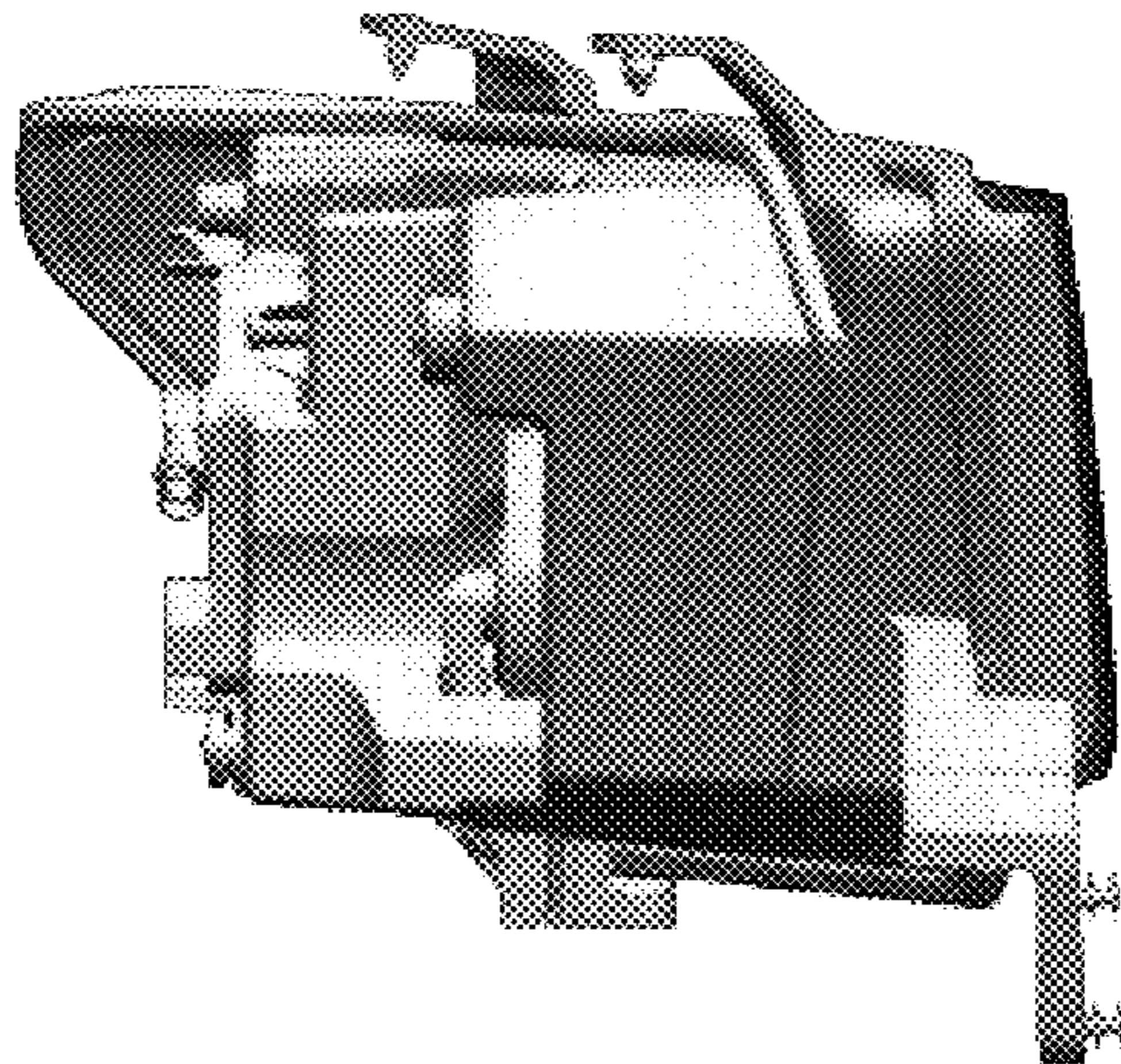


FIG. 6

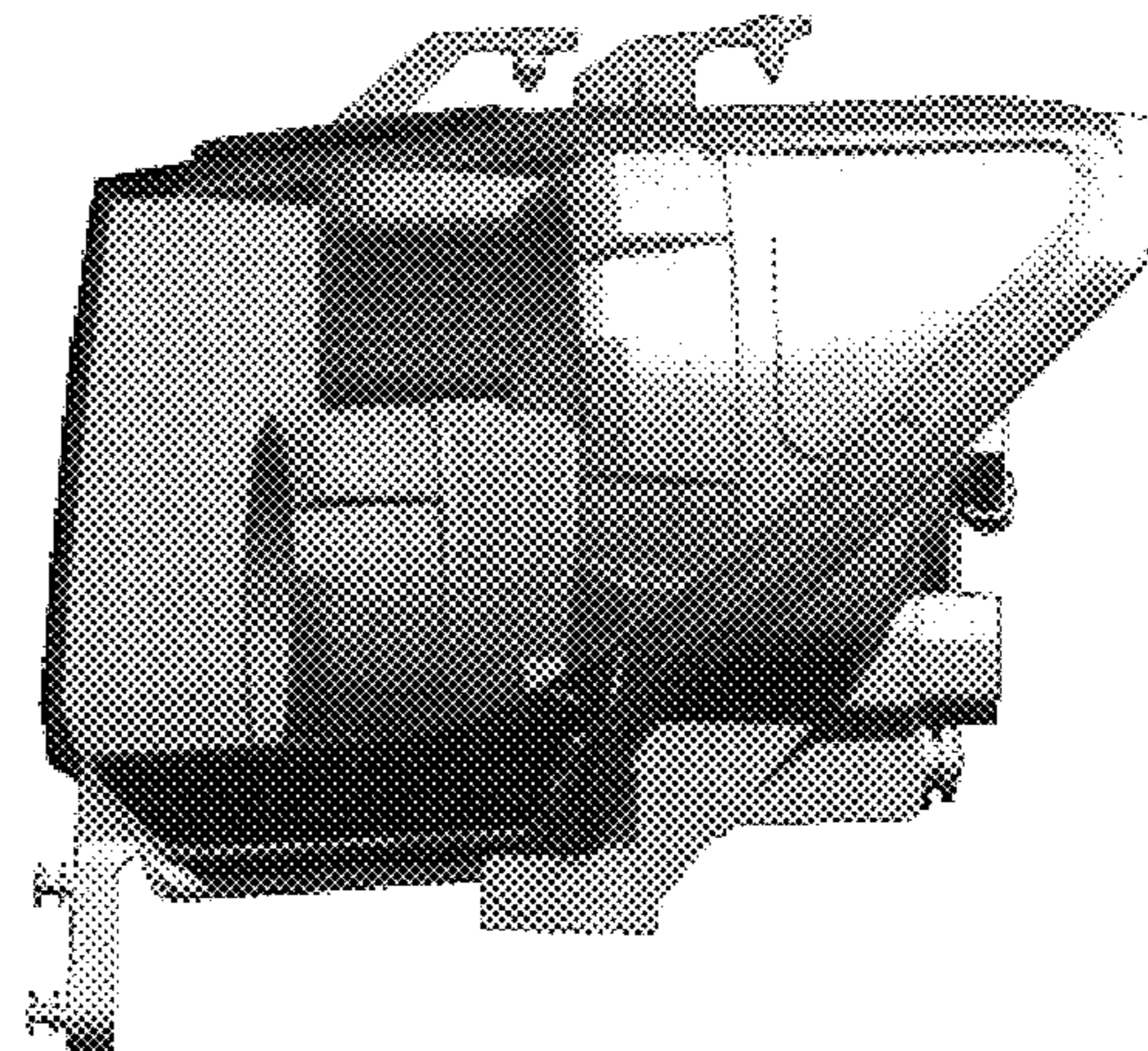


FIG. 7