



US00D538451S

(12) **United States Design Patent**
Waldmann

(10) **Patent No.:** **US D538,451 S**

(45) **Date of Patent:** **** Mar. 13, 2007**

(54) **MACHINE LAMP**

2003/0223222 A1 * 12/2003 Yu 362/96

(75) Inventor: **Gerhard Waldmann**, Dauchingen (DE)

OTHER PUBLICATIONS

(73) Assignee: **Herbert Waldmann GmbH & Co., KG** (DE)

Lumiere Design & Manufacturing, Inc. Catalog. Issue/ItemJN 93.*

(**) Term: **14 Years**

Waldmann Lighting, Lighting Industry Complete Catalogue Luminaires, 2004, p. 65.*

(21) Appl. No.: **29/212,953**

* cited by examiner

(22) Filed: **Sep. 10, 2004**

Primary Examiner—Alan P. Douglas

Assistant Examiner—Angela J. Lee

(30) **Foreign Application Priority Data**

(74) *Attorney, Agent, or Firm*—Eugene E. Renz, Jr.

Mar. 13, 2004 (DE) 4 04 01 692

(57) **CLAIM**

(51) **LOC (8) Cl.** **26-05**

The ornamental design for machine lamp, as shown and described.

(52) **U.S. Cl.** **D26/24**

(58) **Field of Classification Search** D26/24,

D26/60–66, 113; 362/89, 96, 205, 270, 370,

362/652, 655; 439/699.2; 600/249

See application file for complete search history.

DESCRIPTION

FIG. 1 is a perspective view of my design for machine lamp; FIG. 2 is a side elevational view of my design for machine lamp;

FIG. 3 is a side elevational view rotated 90° from the side view of FIG. 2 of my design for machine lamp;

FIG. 4 is a top plan view of my design for machine lamp; and,

FIG. 5 is a bottom plan view of my design for machine lamp.

(56) **References Cited**

U.S. PATENT DOCUMENTS

3,299,884 A * 1/1967 Moore et al. 600/249

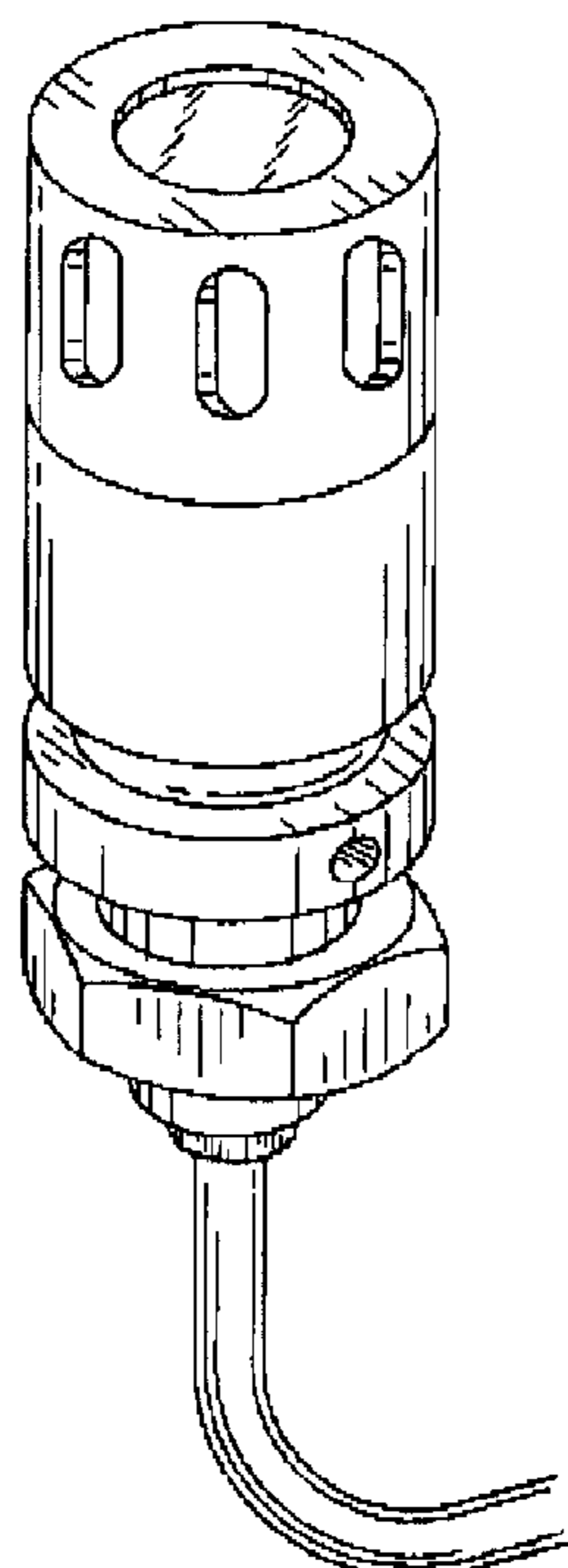
D290,754 S * 7/1987 Kira D26/24

5,034,847 A * 7/1991 Brain 362/205

D377,224 S * 1/1997 Roberts D26/24

5,649,760 A * 7/1997 Beadle 362/270

1 Claim, 2 Drawing Sheets



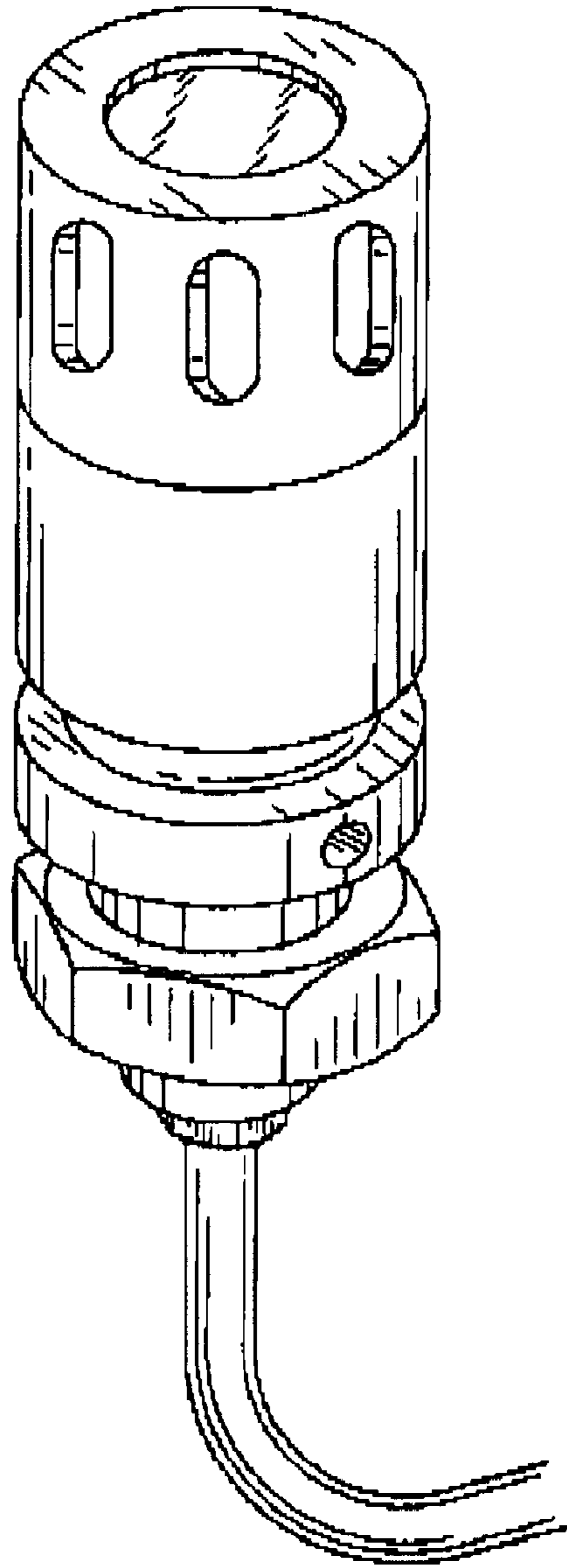


FIG. 1

FIG. 4

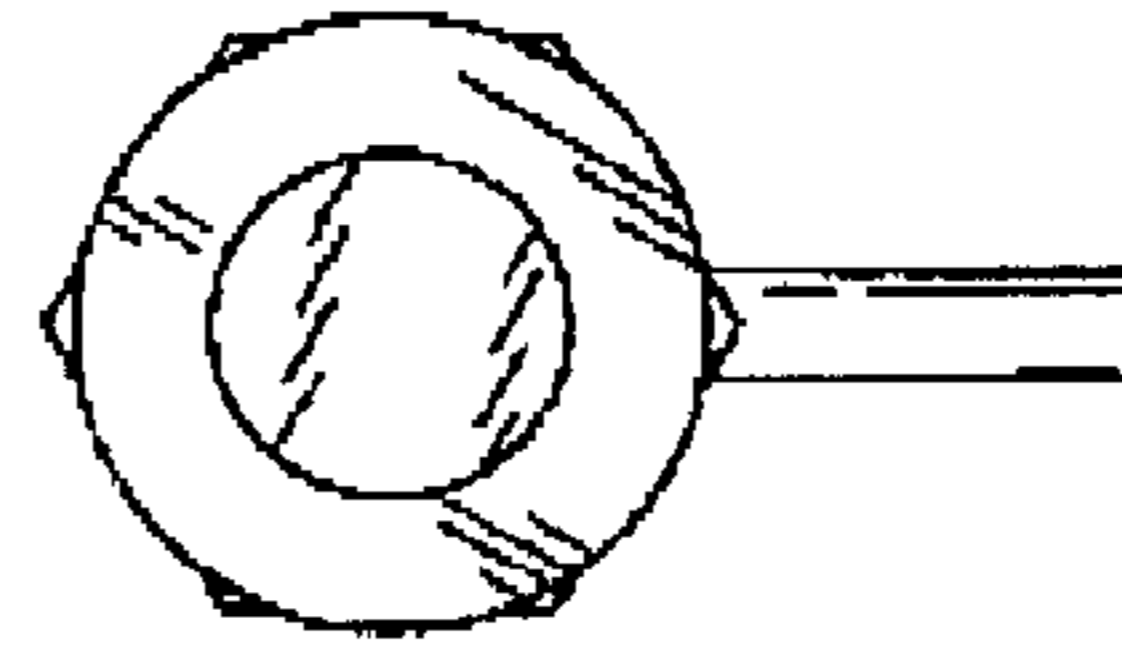


FIG. 2

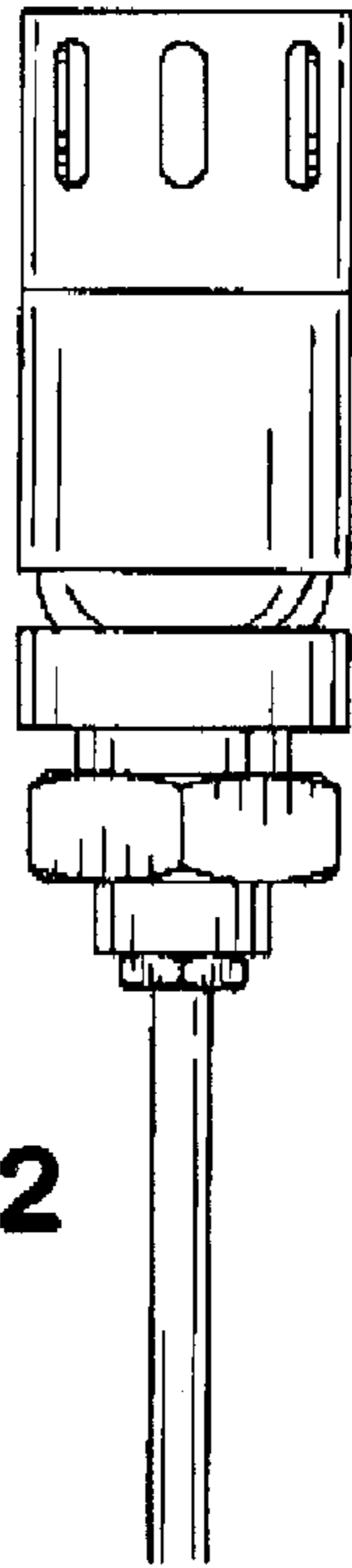


FIG. 3

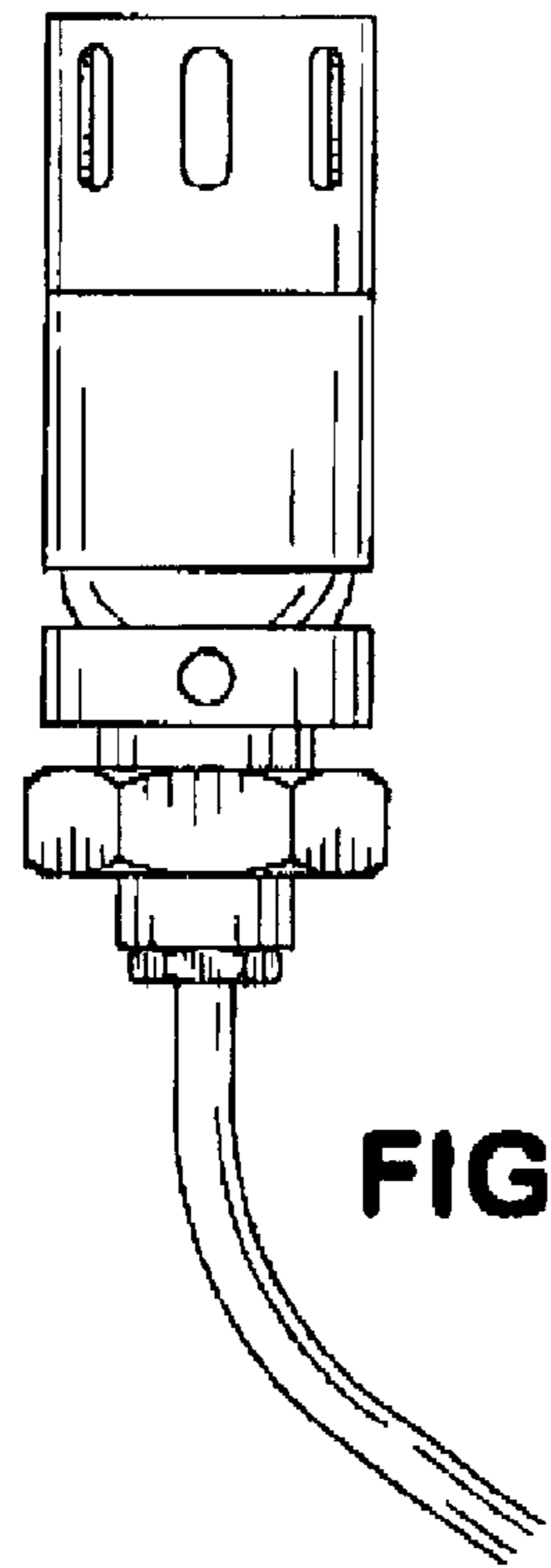


FIG. 5

