



US00D538450S

(12) **United States Design Patent** (10) **Patent No.:** **US D538,450 S**
Adams et al. (45) **Date of Patent:** **** Mar. 13, 2007**

(54) **DECORATIVE CANDLE HOLDER**

1,195,657 A 8/1916 Chersky
D49,902 S 11/1916 Labaree et al.

(75) Inventors: **Mary Beth Adams**, Antioch, IL (US);
Nicholas W. Binetti, Racine, WI (US);
Paul E. Fumer, Racine, WI (US)

(Continued)

FOREIGN PATENT DOCUMENTS

(73) Assignee: **S.C. Johnson & Son, Inc.**, Racine, WI (US)

DE 3403604 8/1985
DE 4203644 8/1993

(**) Term: **14 Years**

(Continued)

OTHER PUBLICATIONS

(21) Appl. No.: **29/222,415**

(22) Filed: **Jan. 28, 2005**

International Candle House 1966–67 pp. 54–55.*

Pourette Catalog 1998; p.12.

Prices London Candlemakers; <http://www.prices-candle-s.co.uk/mainpage.htm>; 1 page, printed Apr. 21, 2005.

Prices London Candlemakers; <http://www.prices-candle-s.co.uk/catalogue/Accessories/Accessories%20Page%2008.jpg>; 1 page; printed Apr. 21, 2005.

Two (2) photos of Prices’s “Coral Bay Fragranced Bathroom” product taken Jan. 1, 1999.

Stephanie Reiser Wrought Iron –“Welcome to Courting-Candle.com!” <http://www.courtingcandle.com>; 1 page printed on May 12, 2004.

Related U.S. Application Data

(63) Continuation-in-part of application No. 29/216,615, filed on Nov. 5, 2004, which is a continuation-in-part of application No. 29/212,969, filed on Sep. 10, 2004, and a continuation-in-part of application No. 29/212,972, filed on Sep. 10, 2004, and a continuation-in-part of application No. 29/212,974, filed on Sep. 10, 2004, and a continuation-in-part of application No. 29/216,619, filed on Nov. 5, 2004, and a continuation-in-part of application No. 29/212,969, filed on Sep. 10, 2004, and a continuation-in-part of application No. 29/212,975, filed on Sep. 10, 2004.

(51) **LOC (8) Cl.** **26-01**

(52) **U.S. Cl.** **D26/9**

(58) **Field of Classification Search** D26/9,
D26/10–11, 22–23; 431/291, 292, 289

See application file for complete search history.

Primary Examiner—Robin Webster

(74) *Attorney, Agent, or Firm*—S.C. Johnson & Son, Inc.

(57) **CLAIM**

The ornamental design for a decorative candle holder, as shown and described.

(56) **References Cited**

U.S. PATENT DOCUMENTS

213,184 A	3/1879	Frick
405,786 A	6/1889	Ludde
407,051 A	7/1889	Baumer
408,973 A	8/1889	Heller
484,210 A	10/1892	Ludde
779,644 A	1/1905	Ferrier
837,240 A	11/1906	Mulkerins
1,044,256 A	11/1912	Satter
D43,845 S	4/1913	Hirschfeld

DESCRIPTION

FIG. 1 is an isometric view of a decorative candle holder;

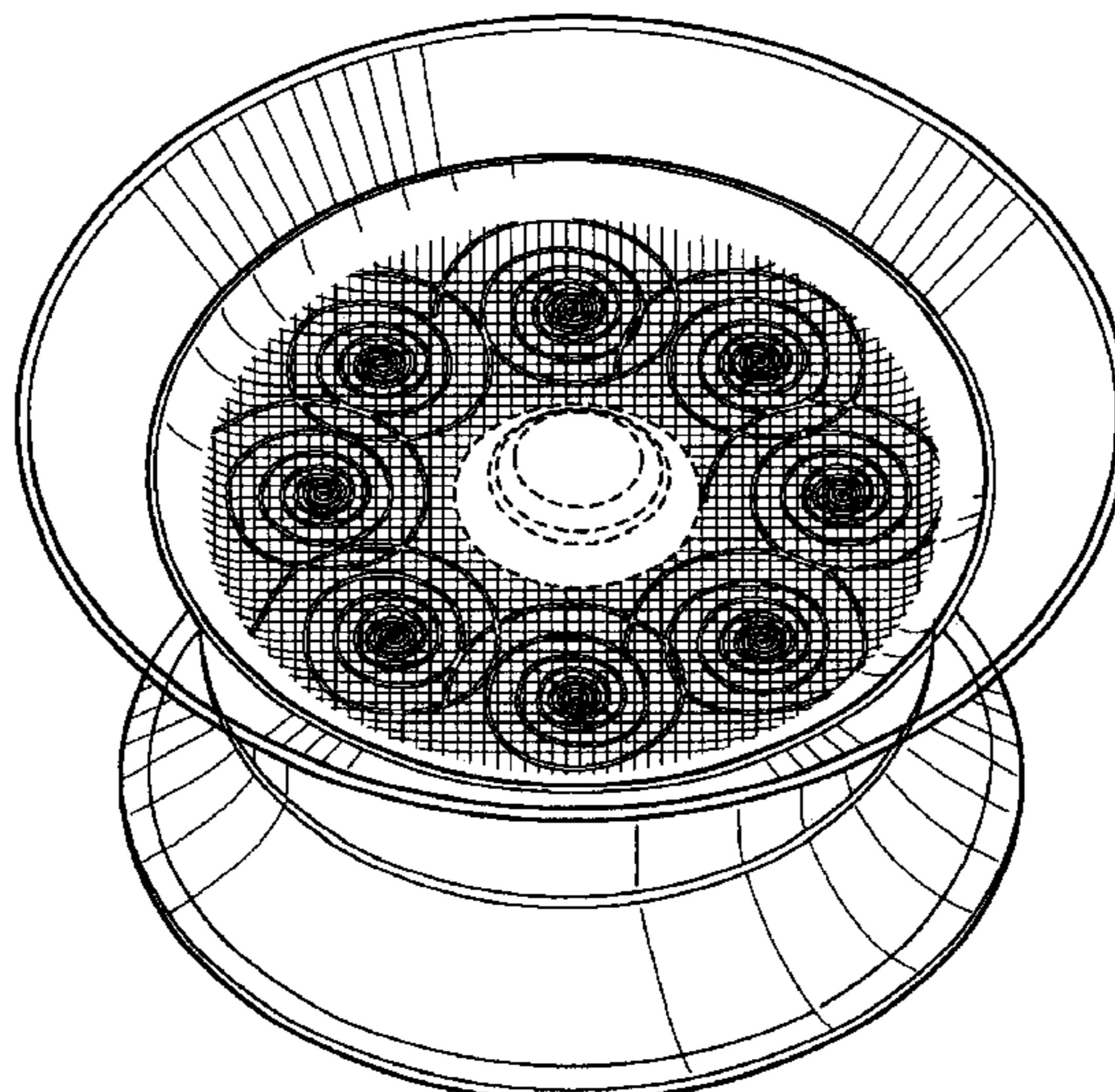
FIG. 2 is a front elevational view thereof;

FIG. 3 is a plan view thereof; and,

FIG. 4 is a bottom plan view thereof.

FIG. 4 is provided for context only and forms no part of the claimed design.

1 Claim, 2 Drawing Sheets



US D538,450 S

U.S. PATENT DOCUMENTS					
1,229,140 A	6/1917	Ritter	4,588,618 A	5/1986	Wolfe
1,316,624 A	9/1919	Lucas	D285,396 S	9/1986	Odate
1,320,109 A	10/1919	Wooster	D292,525 S	10/1987	Van Deelen
1,336,635 A	4/1920	Knapp	4,755,135 A	7/1988	Kwok
1,484,964 A	2/1924	Benneville	4,781,895 A	11/1988	Spector
D67,108 S	4/1925	Steeple	4,804,323 A	2/1989	Kim
1,640,734 A	8/1927	Smith	4,983,119 A	1/1991	Lin
D75,463 S	6/1928	Bach	5,015,175 A	5/1991	Lee
80,971 A	4/1930	Sakier	D320,266 S	9/1991	Kunze
D83,100 S	1/1931	Gisolfi	5,069,617 A	12/1991	Lin
D105,118 S	6/1937	Mackelfresh, Jr.	5,078,591 A	1/1992	Depres
D110,902 S	8/1938	Loesch	5,078,945 A	1/1992	Byron
D119,587 S	3/1940	Fuerst	5,086,380 A	2/1992	Hedner, Jr.
2,234,903 A	3/1941	Muench	D325,077 S	3/1992	Kearnes
2,237,523 A	4/1941	Damon	5,101,328 A	3/1992	Hai
2,354,343 A	5/1941	Webber et al.	D329,942 S	10/1992	Carr
2,246,346 A	6/1941	Wells	5,174,645 A	12/1992	Chung
2,254,906 A	9/1941	Petrulis	5,193,995 A	3/1993	Shirneker
2,324,753 A	7/1943	Alexiade	5,338,187 A	8/1994	Elharar
2,393,767 A	1/1946	Gould	5,363,590 A	11/1994	Lee
2,462,440 A	2/1949	Tierney	D356,472 S	3/1995	Jaworski
2,494,995 A	1/1950	Gardner	5,425,633 A	6/1995	Cole
2,713,256 A	7/1955	Oesterle	D360,461 S	7/1995	Gillespie
2,758,460 A	8/1956	Ciano	D355,266 S	2/1996	Caplette et al.
2,775,006 A	12/1956	Kranc	D369,221 S	4/1996	Linderman
2,809,512 A	10/1957	Hartnett	D369,871 S	* 5/1996	Lui D26/9
RE24,423 E	2/1958	Oesterle et al.	D371,212 S	6/1996	Hardy et al.
3,121,316 A	2/1964	Wilson	D376,002 S	11/1996	Upson
D206,946 S	* 2/1967	Knodt D7/366	D377,402 S	1/1997	Perkins
D208,064 S	7/1967	Quistgaard et al.	D383,555 S	9/1997	Hardy
D208,097 S	7/1967	Henn	D383,944 S	9/1997	Lillelund et al.
3,565,281 A	2/1971	Collie	5,690,484 A	11/1997	Leonard et al.
D226,240 S	1/1973	Twedt	390,676 A	2/1998	Hollington
3,730,674 A	5/1973	Gross	D391,119 S	2/1998	Rapaz
3,741,711 A	6/1973	Bryant	D393,910 S	4/1998	Chambers et al.
3,749,904 A	7/1973	Graff	D394,513 S	5/1998	Davis
3,762,857 A	10/1973	Andeweg	5,807,096 A	9/1998	Shin et al.
D229,852 S	1/1974	Linblad	D399,298 S	10/1998	Whitehead
D236,064 S	7/1975	Balbo	5,840,246 A	11/1998	Hammons et al.
3,898,039 A	8/1975	Lin	5,842,850 A	12/1998	Pappas
3,910,753 A	10/1975	Lee	5,843,194 A	12/1998	Spaulding
3,932,113 A	1/1976	Thrush	5,871,553 A	2/1999	Spaulding
3,994,502 A	11/1976	Lombardi	D410,756 S	6/1999	Kleinberg
4,013,397 A	3/1977	Neugart	5,921,767 A	7/1999	Song
4,019,856 A	4/1977	Lacroix	5,927,959 A	7/1999	Johnson
D247,635 S	3/1978	Maxwell	5,951,278 A	9/1999	Young et al.
D248,499 S	7/1978	Ulrich et al.	5,955,034 A	9/1999	Zaunbrecher et al.
D248,500 S	7/1978	Ulrich et al.	5,955,958 A	9/1999	Lu
4,102,634 A	7/1978	Crisp	D415,295 S	10/1999	Kochis et al.
D248,787 S	8/1978	Ulrich et al.	5,961,967 A	10/1999	Powell et al.
D248,788 S	8/1978	Ulrich et al.	D416,099 S	* 11/1999	Hardy D26/9
D248,789 S	8/1978	Ulrich et al.	5,980,241 A	11/1999	Schirneker
D253,432 S	11/1979	Van Koert	6,019,804 A	1/2000	Requejo et al.
D253,732 S	12/1979	Van Koert	6,033,209 A	3/2000	Shin et al.
4,185,953 A	1/1980	Schirneker	D422,180 S	4/2000	Sundberg
4,206,500 A	6/1980	Neil	6,050,812 A	4/2000	Chuang
4,206,560 A	6/1980	Sefried, II	D425,220 S	5/2000	Klett et al.
4,224,017 A	9/1980	Kayne	D425,636 S	5/2000	Freeman
D257,641 S	12/1980	Taylor	6,059,564 A	5/2000	Morris
D264,385 S	5/1982	Meyer	6,062,847 A	5/2000	Pappas
4,332,548 A	6/1982	Linton et al.	6,068,472 A	5/2000	Freeman et al.
4,381,914 A	5/1983	Ferguson	D426,902 S	6/2000	Hardy et al.
4,427,366 A	1/1984	Moore	6,074,199 A	6/2000	Song
4,477,249 A	10/1984	Ruzek et al.	6,079,975 A	6/2000	Conover
4,524,408 A	6/1985	Minera	6,099,877 A	8/2000	Schuppan
D280,443 S	9/1985	Boss	D430,943 S	9/2000	Zutler
4,551,794 A	11/1985	Sandell	D433,168 S	10/2000	Cousins
4,557,687 A	12/1985	Schirneker	6,129,771 A	10/2000	Ficke et al.
4,568,269 A	2/1986	Lin	6,152,728 A	11/2000	Griffel
4,568,270 A	2/1986	Marcus et al.	D435,100 S	12/2000	Pesu et al.
			D436,415 S	1/2001	Hardy

FIG. 1

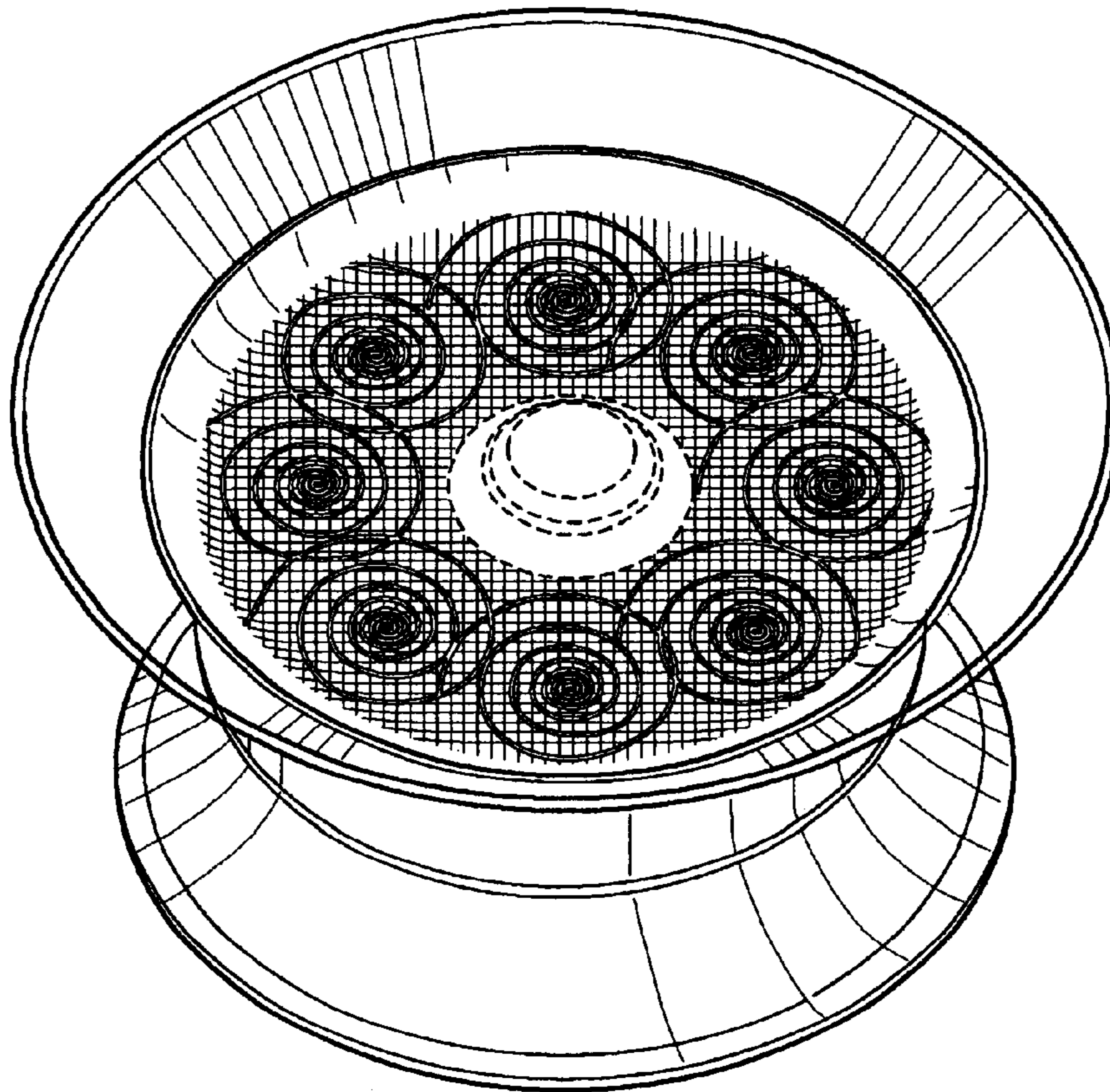


FIG. 2

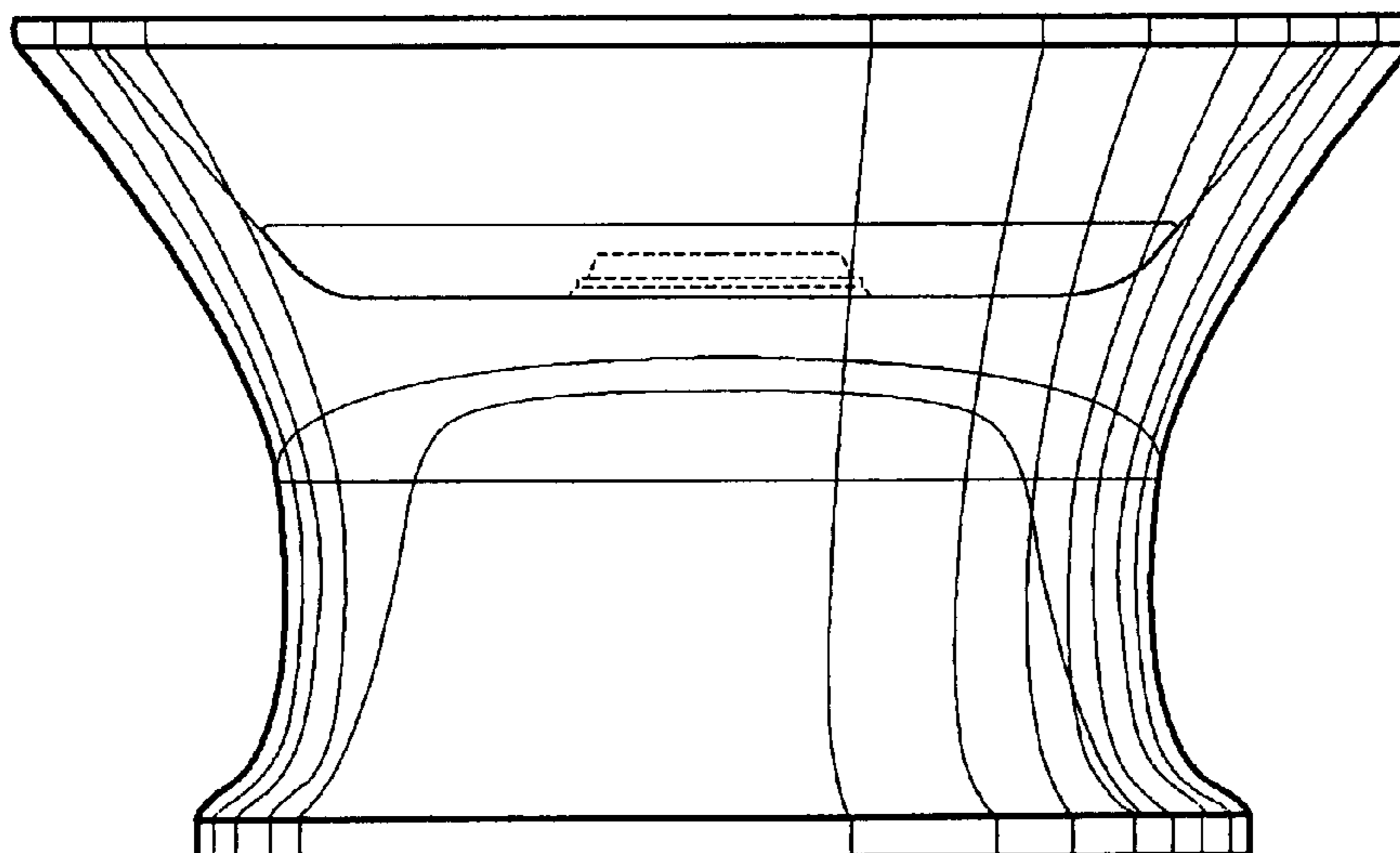


FIG. 3

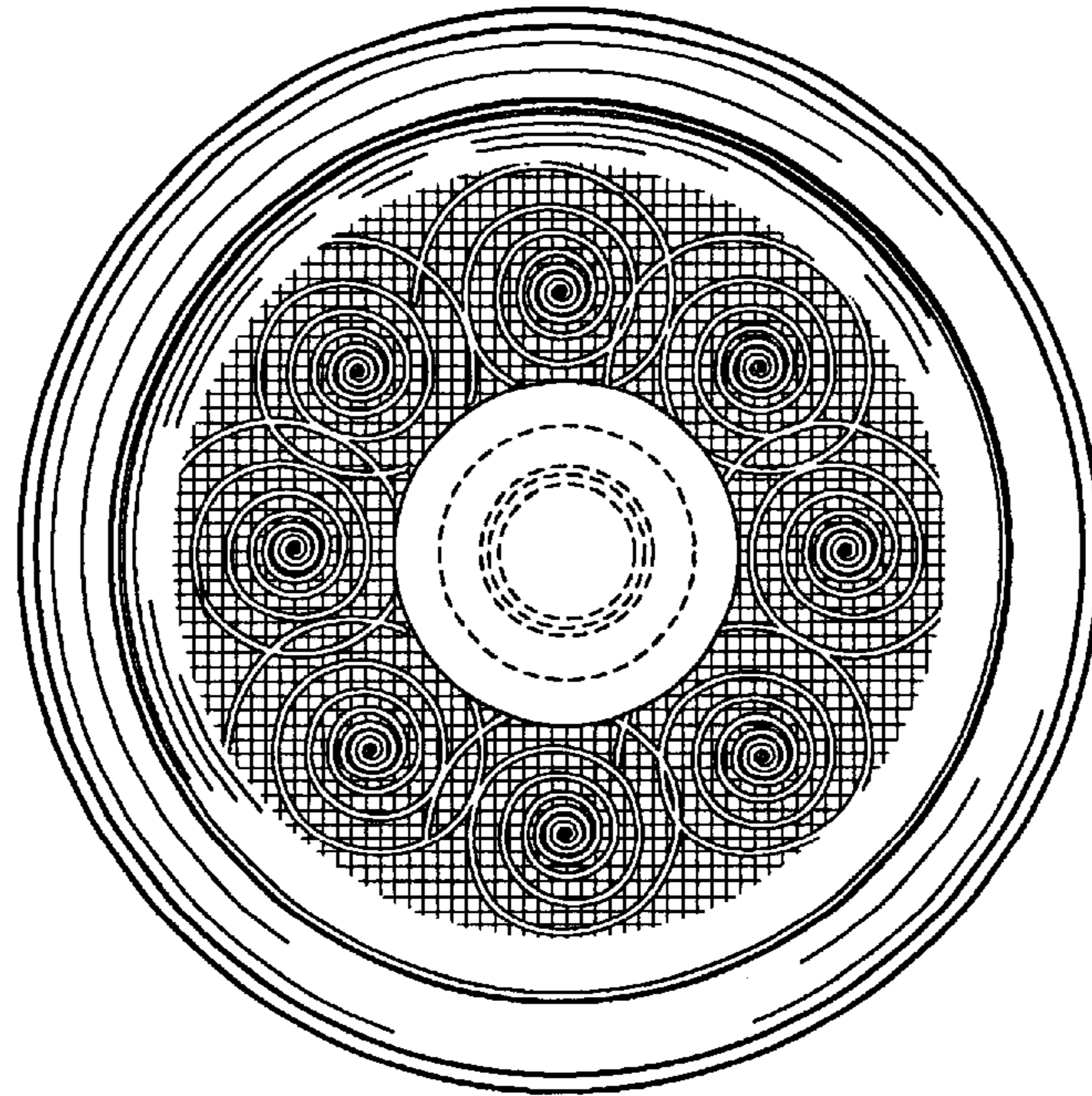
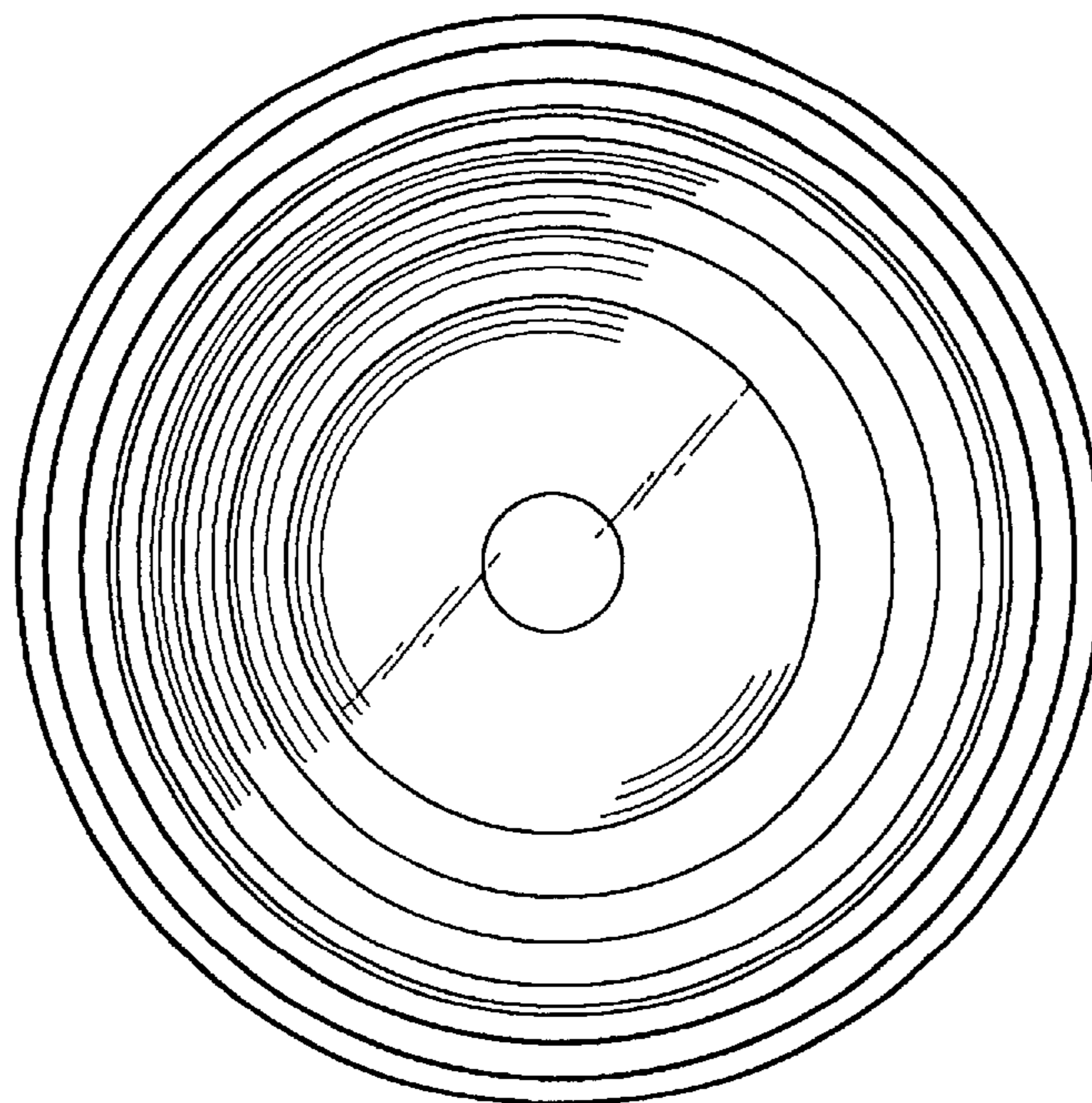


FIG. 4



UNITED STATES PATENT AND TRADEMARK OFFICE
CERTIFICATE OF CORRECTION

PATENT NO. : Des. 538,450 S
APPLICATION NO. : 29/222415
DATED : March 13, 2007
INVENTOR(S) : Mary Beth Adams, Nicholas W. Binetti and Paul E. Furner

Page 1 of 1

It is certified that error appears in the above-identified patent and that said Letters Patent is hereby corrected as shown below:

Title Page item 75
Inventors: replace "Fumer" with --Furner--

Signed and Sealed this

Nineteenth Day of August, 2008

A handwritten signature in black ink that reads "Jon W. Dudas". The signature is written in a cursive style with a large, stylized initial 'J'.

JON W. DUDAS
Director of the United States Patent and Trademark Office