



US00D538442S

(12) **United States Design Patent**
Hopkins et al.

(10) **Patent No.:** **US D538,442 S**

(45) **Date of Patent:** **** Mar. 13, 2007**

(54) **CORNER COVER**

(76) Inventors: **John R. Hopkins**, 4650 Prospect St.,
Bow Mar, CO (US) 80123; **Todd E.**
Bushberger, 3154 S. Toldt Pkwy., West
Allis, WI (US) 53227

(**) Term: **14 Years**

(21) Appl. No.: **29/232,476**

(22) Filed: **Jun. 20, 2005**

(51) **LOC (8) Cl.** **25-01**

(52) **U.S. Cl.** **D25/102**

(58) **Field of Classification Search** D25/102,
D25/199; 52/204.1, 206, 204.58, 255, 282.1,
52/282.3, 273, 204.57; 49/479.1
See application file for complete search history.

(56) **References Cited**

U.S. PATENT DOCUMENTS

2,094,215	A	*	9/1937	Hope	52/476
2,821,754	A	*	2/1958	Hillson	52/288.1
3,451,178	A	*	6/1969	Beale	52/210
D465,033	S	*	10/2002	Messier et al.	D25/102

* cited by examiner

Primary Examiner—Doris Clark

(74) *Attorney, Agent, or Firm*—Andrus, Scales, Starke &
Sawall, LLP

(57) **CLAIM**

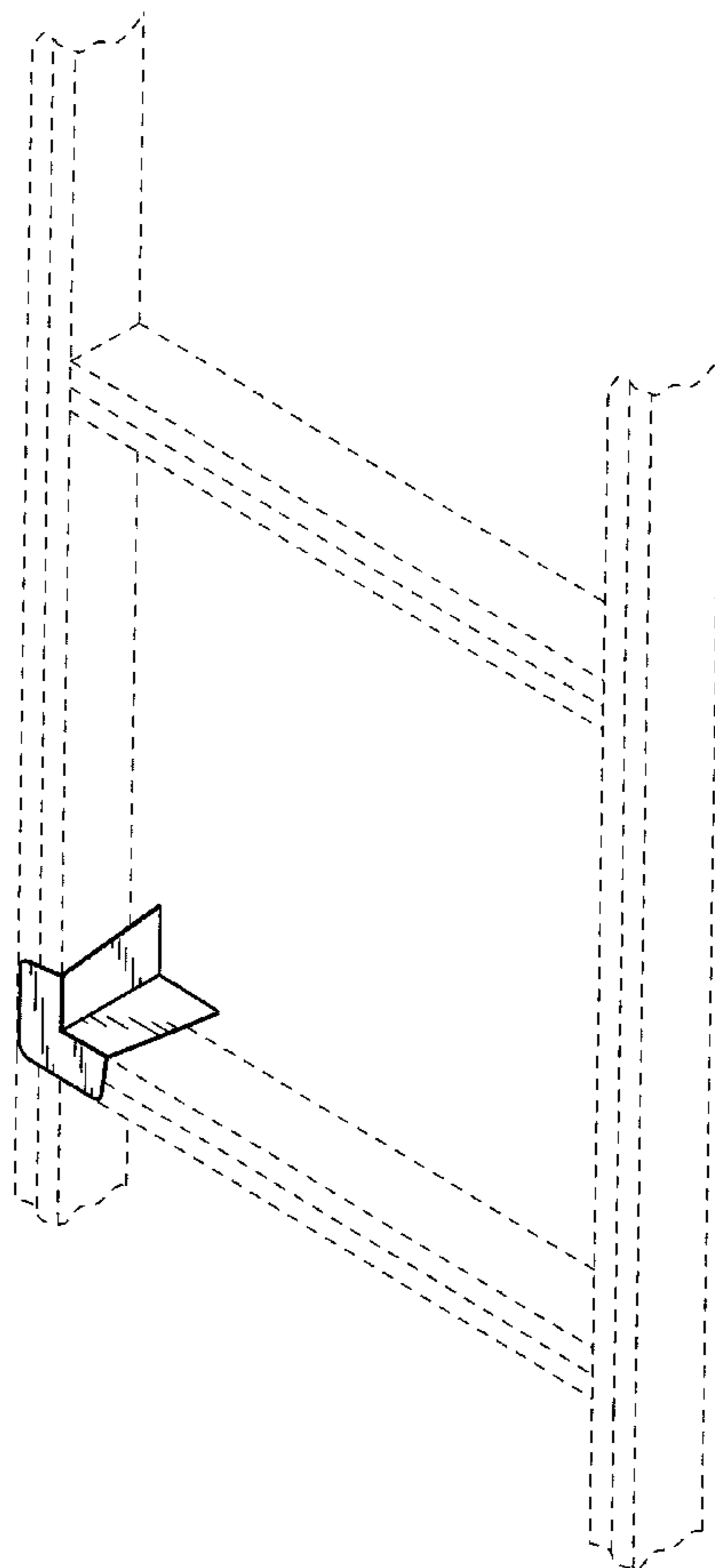
The ornamental design for the corner cover, as shown and described.

DESCRIPTION

FIG. 1 is a perspective view of the corner cover;
FIG. 2 is a front view of the corner cover;
FIG. 3 is a back view of the corner cover;
FIG. 4 is a right side view of the corner cover;
FIG. 5 is a left side view of the corner cover;
FIG. 6 is a top view of the corner cover;
FIG. 7 is a bottom view of the corner cover; and,
FIG. 8 is a perspective view of a corner cover as located in
an inset. In this instance, the inset is defined by a window
head, a window sill and the window jams, which are
depicted as dotted lines.

The broken lines are for illustrative purposes only and form
no part of the claimed design.

1 Claim, 5 Drawing Sheets



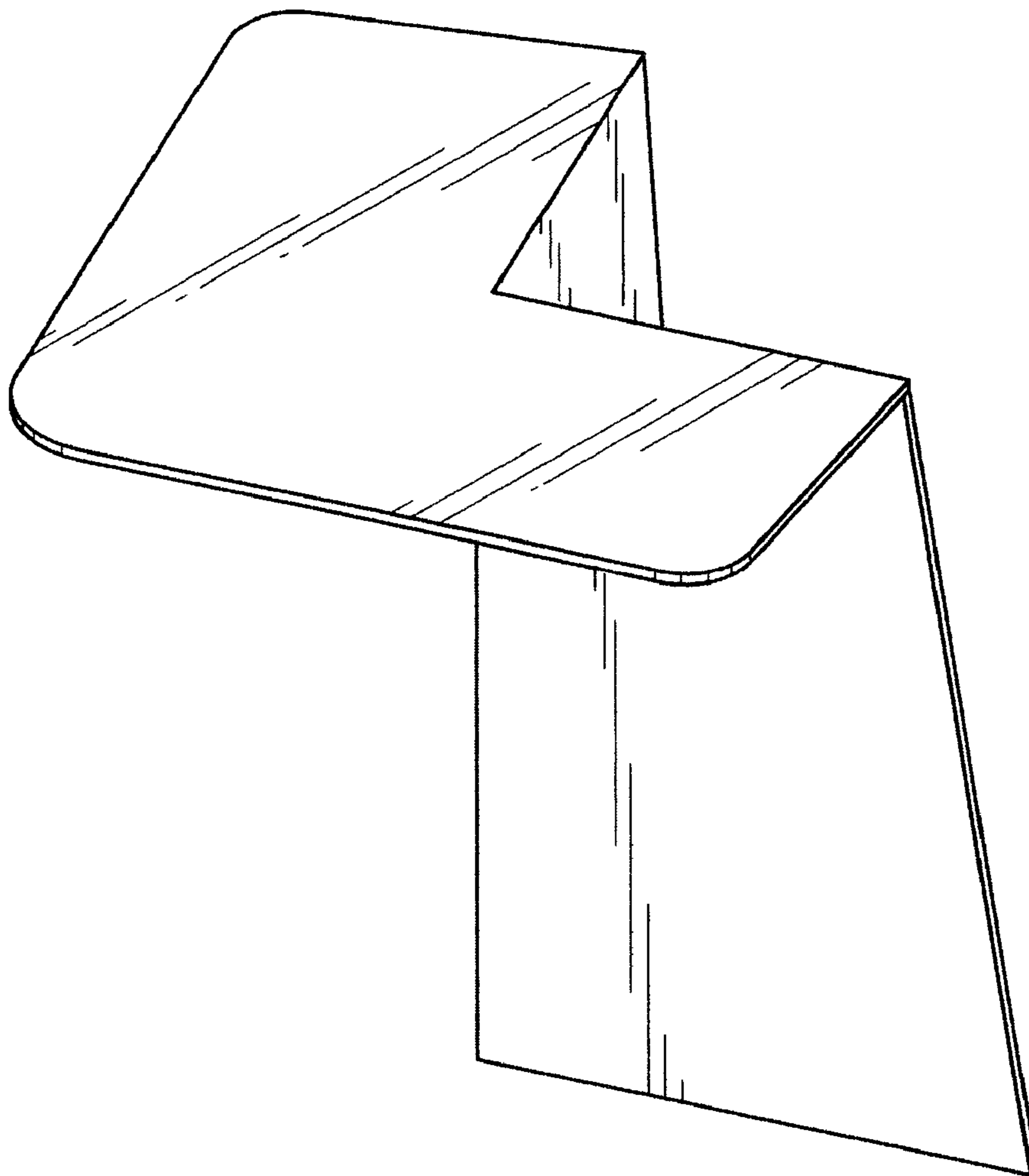


FIG.1

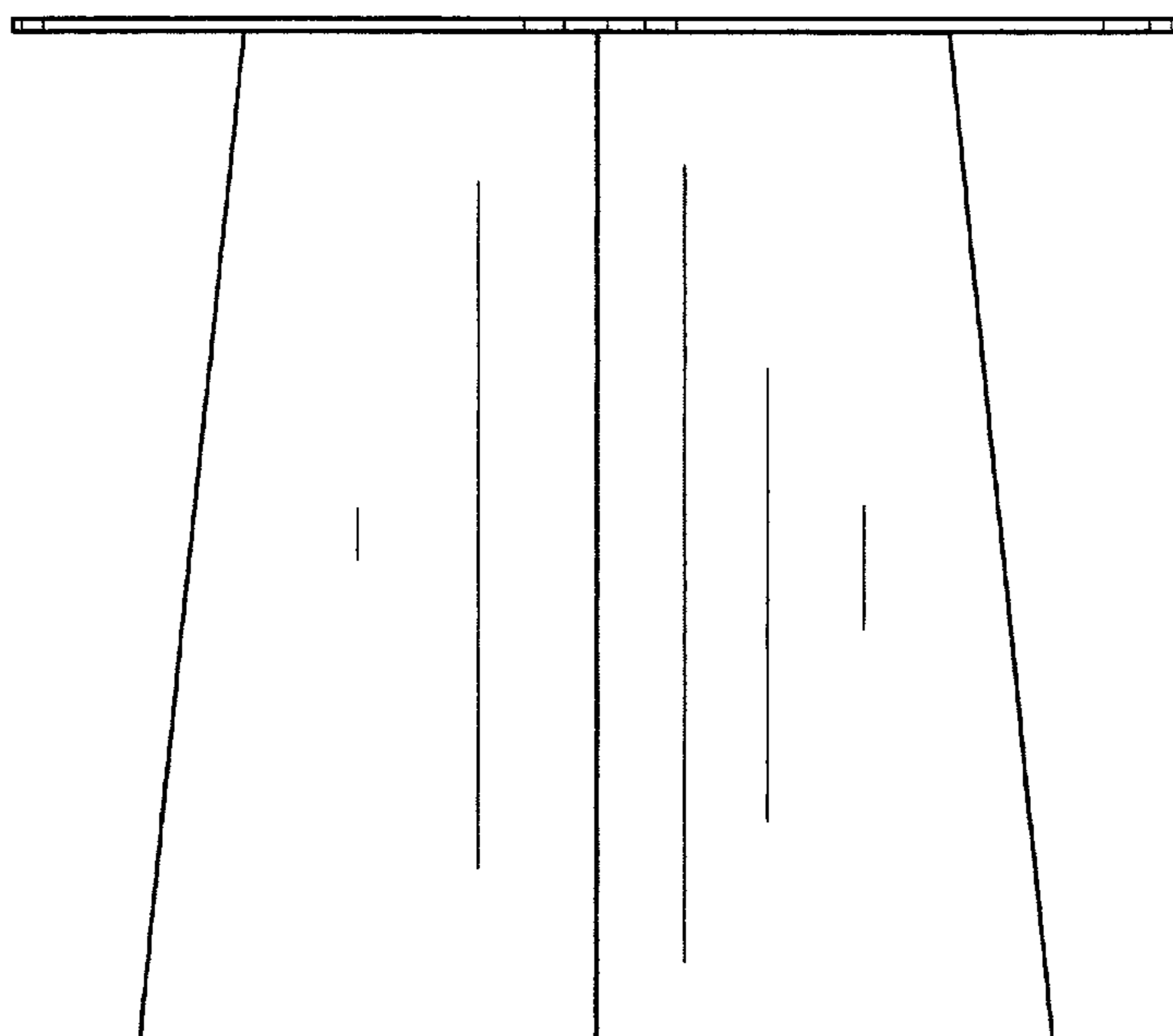


FIG. 2

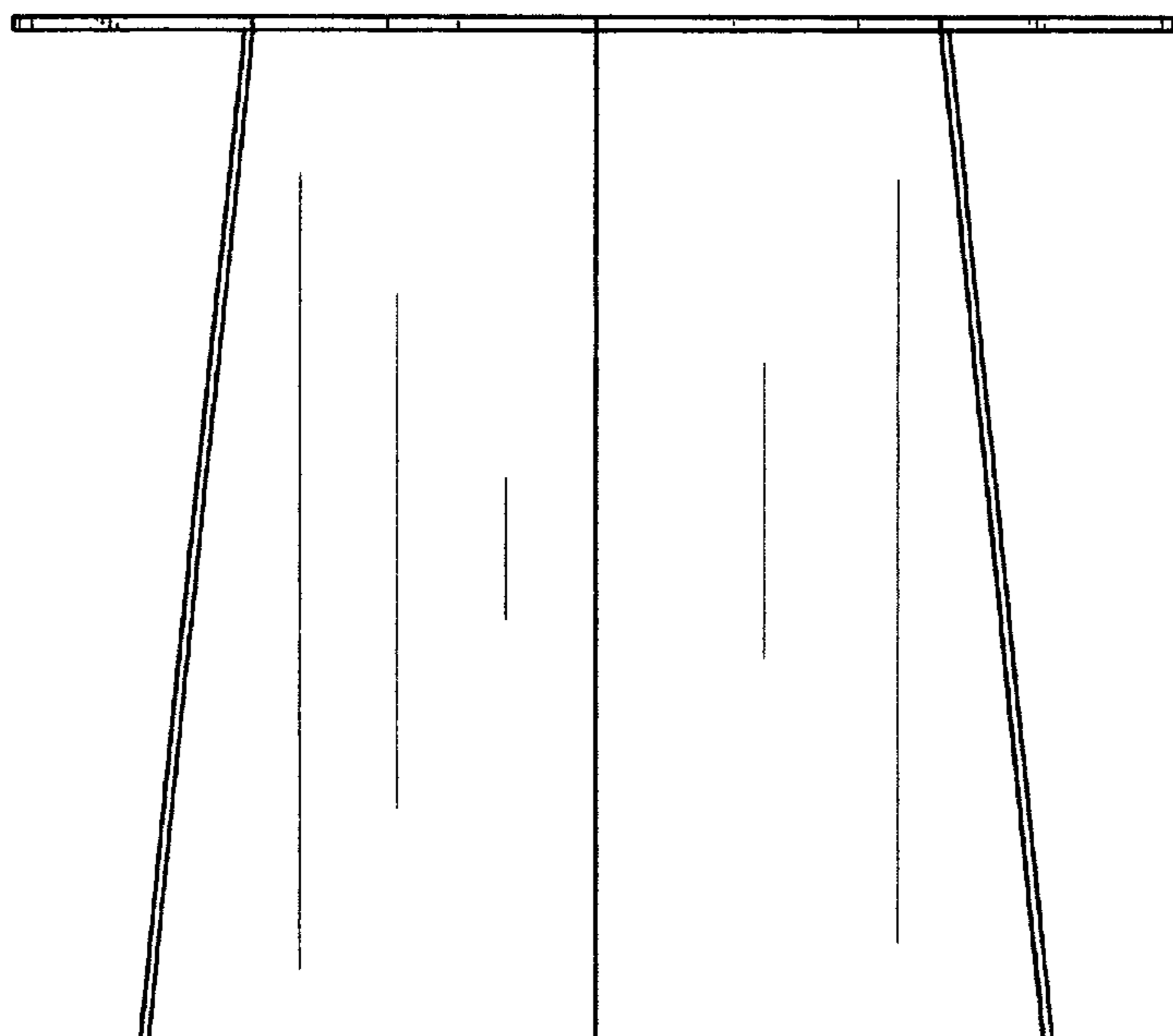


FIG. 3

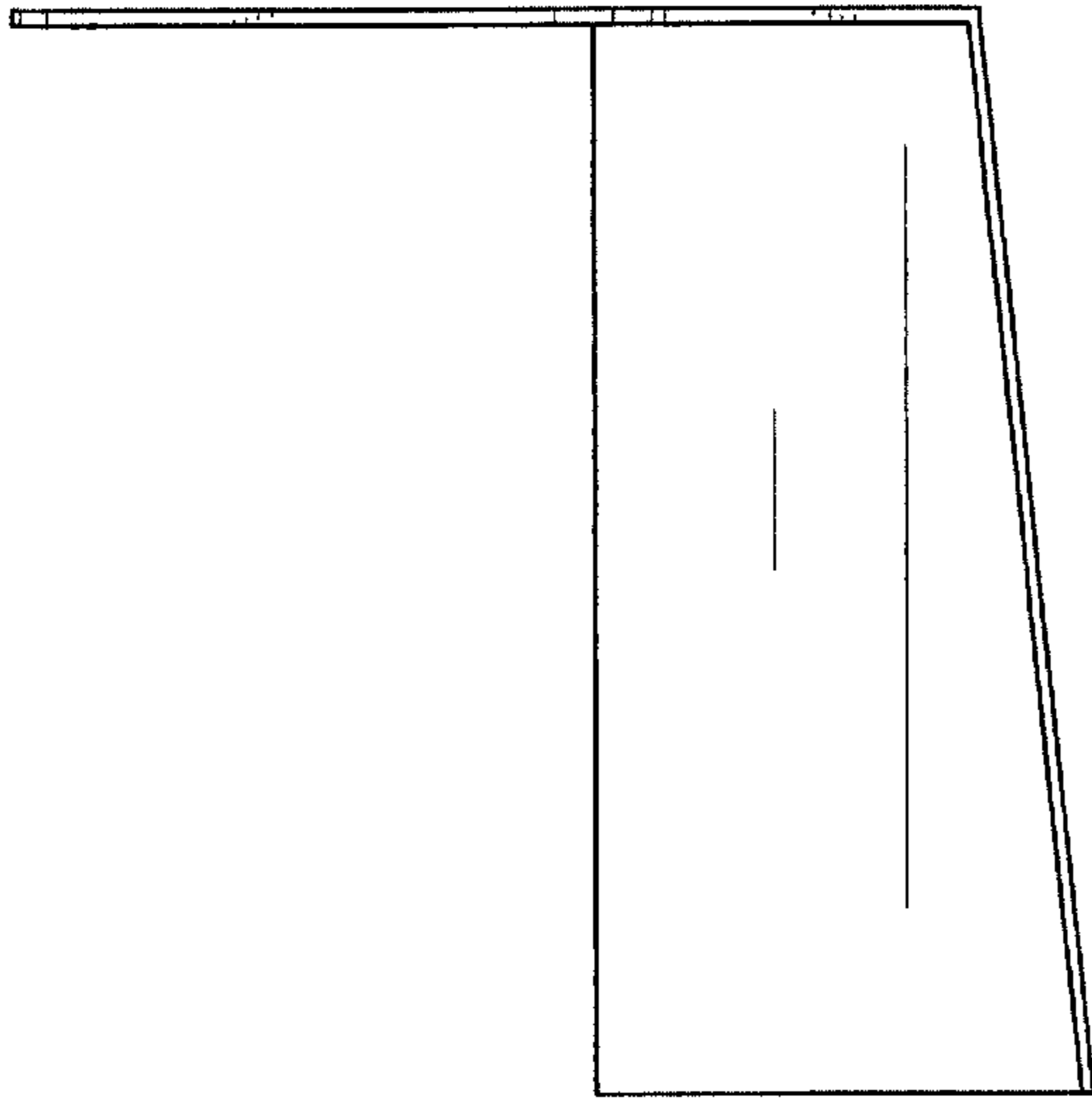


FIG.4

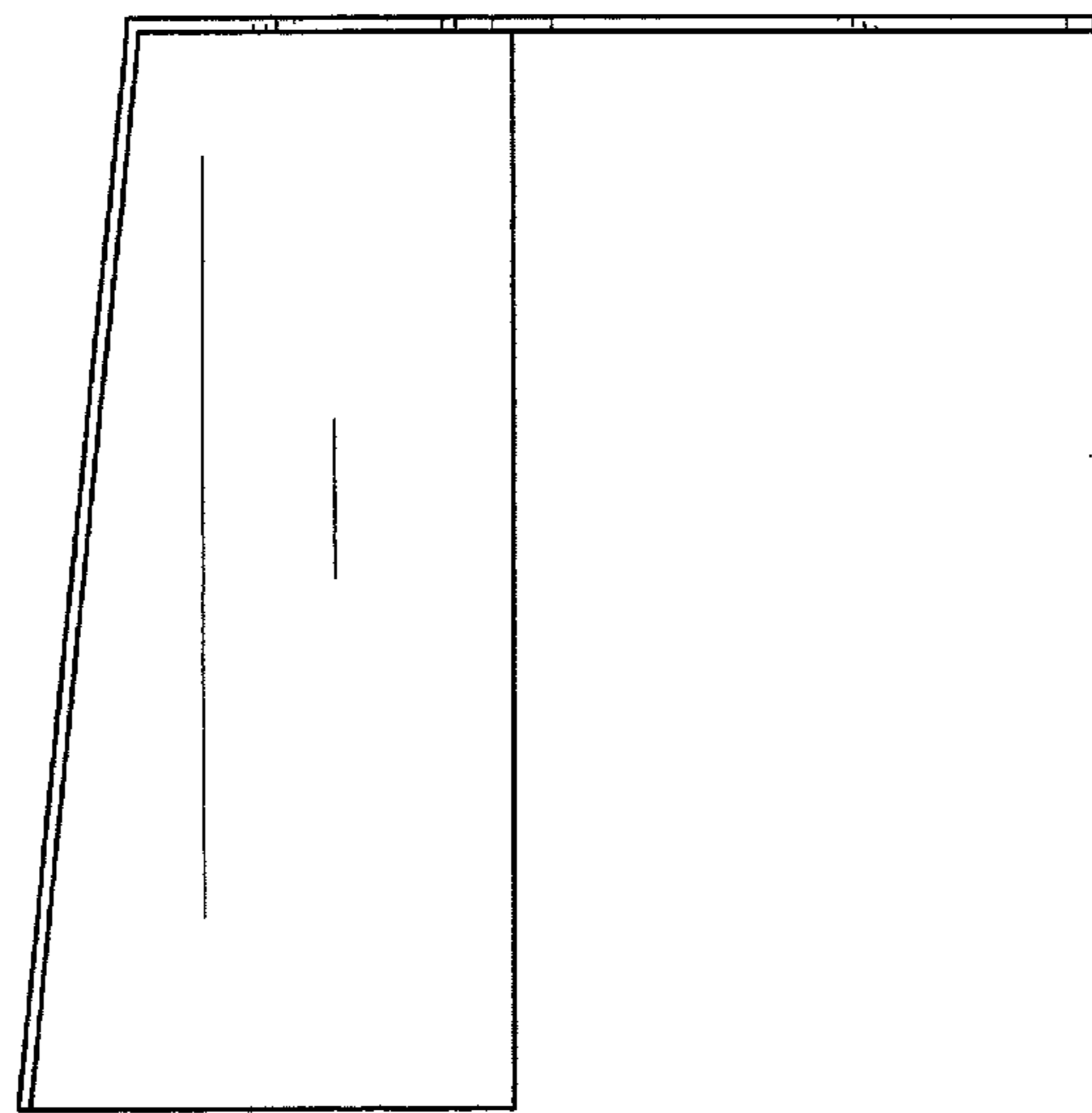


FIG.5

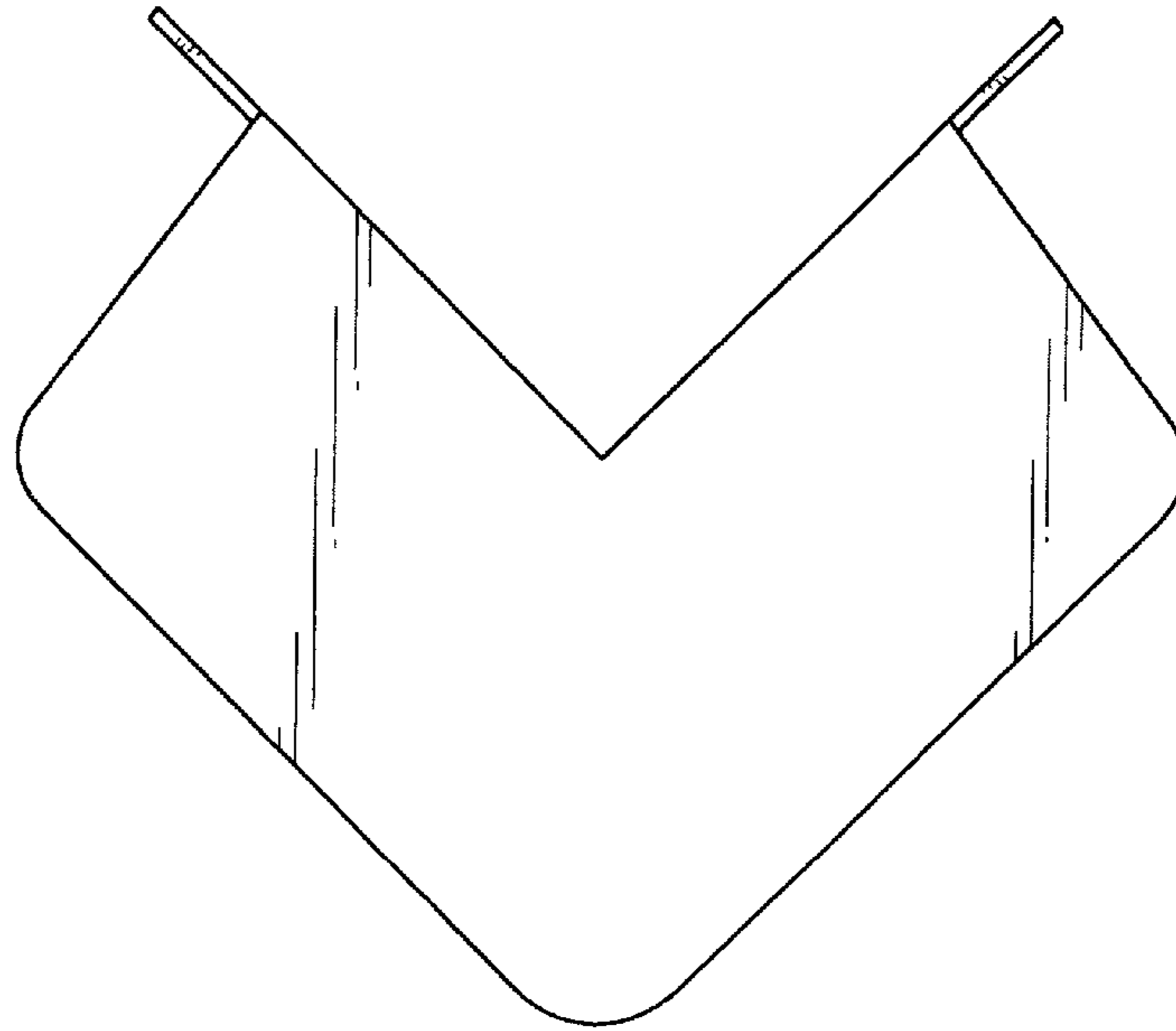


FIG. 6

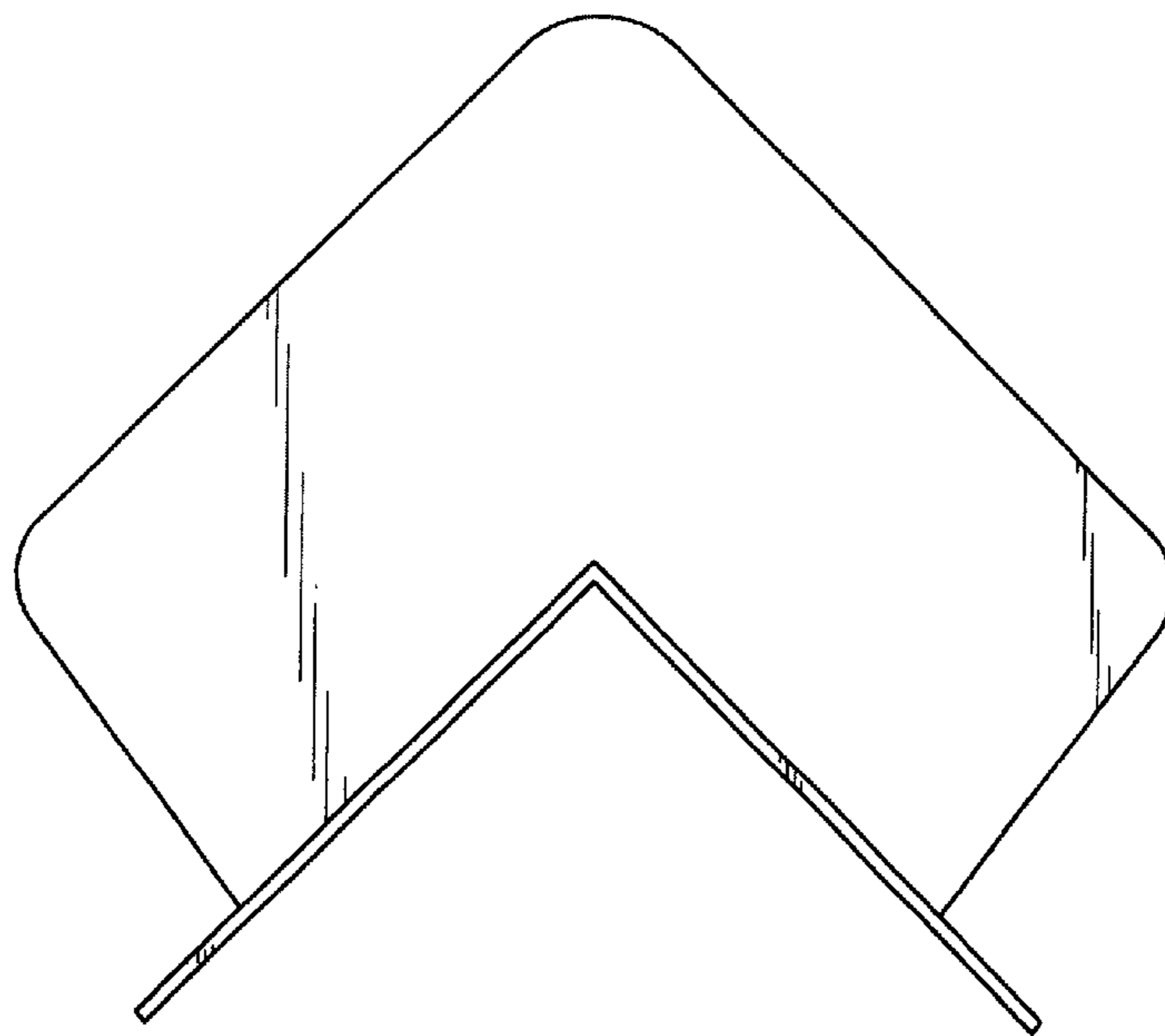


FIG. 7

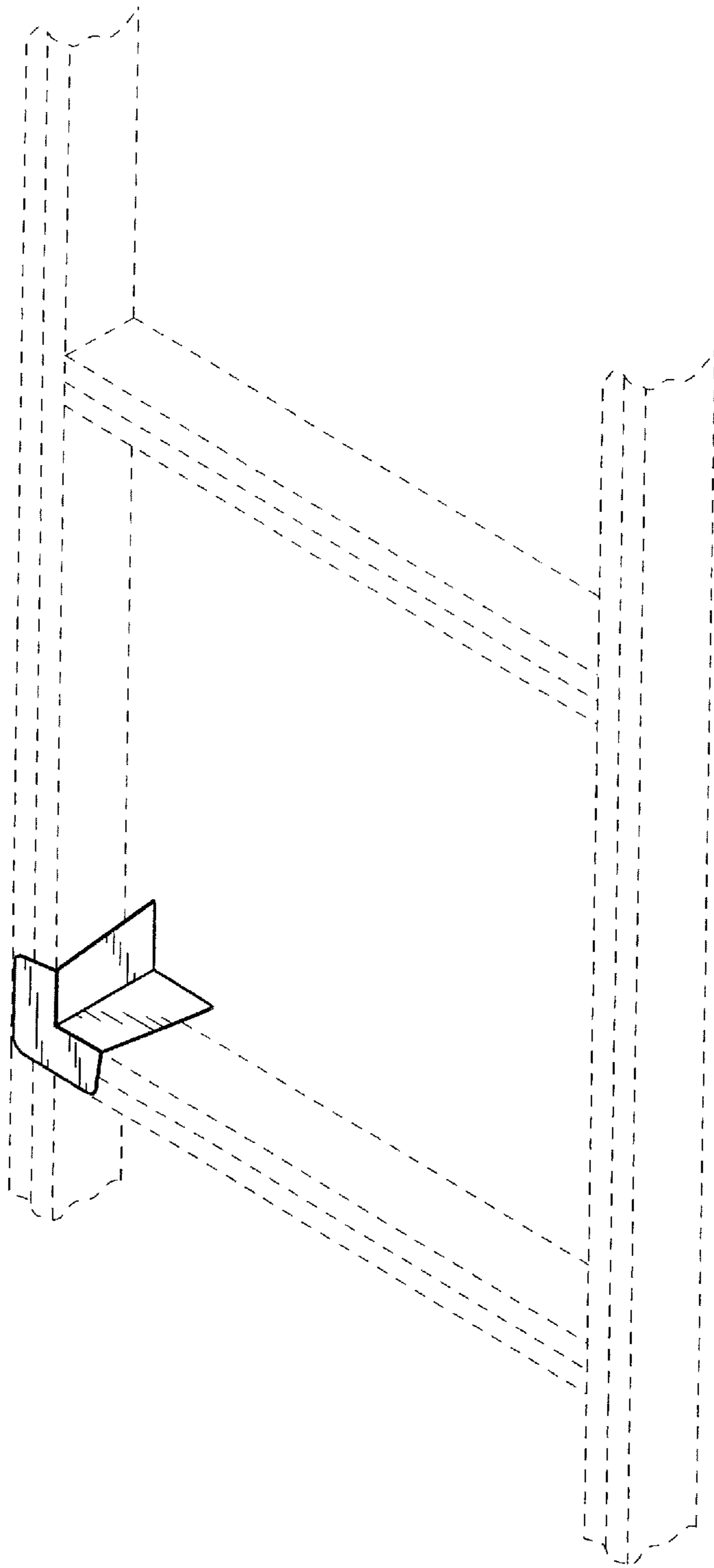


FIG.8