



US00D538436S

(12) **United States Design Patent**  
**Patadia et al.**

(10) **Patent No.:** **US D538,436 S**

(45) **Date of Patent:** **\*\* Mar. 13, 2007**

(54) **REPROCESSOR FOR DECONTAMINATING  
MEDICAL, DENTAL AND VETERINARY  
INSTRUMENTS AND ARTICLES**

(75) Inventors: **Sona Patadia**, Chicago, IL (US); **John  
Mayer**, Cleveland, OH (US)

(73) Assignee: **Steris Inc.**, Temecula, CA (US)

(\*\*) Term: **14 Years**

(21) Appl. No.: **29/255,245**

(22) Filed: **Mar. 6, 2006**

(51) **LOC (8) Cl.** ..... **24-02**

(52) **U.S. Cl.** ..... **D24/217**

(58) **Field of Classification Search** ..... D24/216–234;  
422/26–28, 31, 292, 295, 300–301, 305  
See application file for complete search history.

(56) **References Cited**

**U.S. PATENT DOCUMENTS**

4,863,446 A	9/1989	Parker	.....	604/317
4,892,706 A	1/1990	Kralovic et al.	.....	422/28
4,957,491 A	9/1990	Parker	.....	604/317
D315,952 S	* 4/1991	Berninger et al.	.....	D24/233
5,077,008 A	12/1991	Kralovic et al.	.....	422/37
D330,771 S	* 11/1992	Chaney et al.	.....	D24/217
D353,465 S	* 12/1994	Arioka et al.	.....	D24/232
D378,782 S	* 4/1997	LaBarbera et al.	.....	D24/216
D381,756 S	* 7/1997	Ohnuma et al.	.....	D24/231
5,759,490 A	6/1998	Malchesky	.....	422/28
D404,827 S	* 1/1999	Thoburn	.....	D24/217

D421,653 S	* 3/2000	Purcell	.....	D24/231
D433,147 S	* 10/2000	Florkey et al.	.....	D24/217
D467,349 S	* 12/2002	Niedbala et al.	.....	D24/231
D474,279 S	* 5/2003	Mayer et al.	.....	D24/232
6,884,392 B2	* 4/2005	Malkin et al.	.....	422/26
2004/0091389 A1	* 5/2004	Malkin et al.	.....	422/26

\* cited by examiner

*Primary Examiner*—Louis Zarfaz

*Assistant Examiner*—Mark Cavanna

(74) *Attorney, Agent, or Firm*—Kusner & Jaffe; Michael A.  
Centanni

(57) **CLAIM**

The ornamental design for a reprocessor for decontaminating medical, dental and veterinary instruments and articles, as shown and described.

**DESCRIPTION**

FIG. 1 is a perspective view of a reprocessor for decontaminating medical, dental and veterinary instruments and articles showing our new design;

FIG. 2 is a right side elevational view thereof;

FIG. 3 is a front view thereof;

FIG. 4 is a top view thereof;

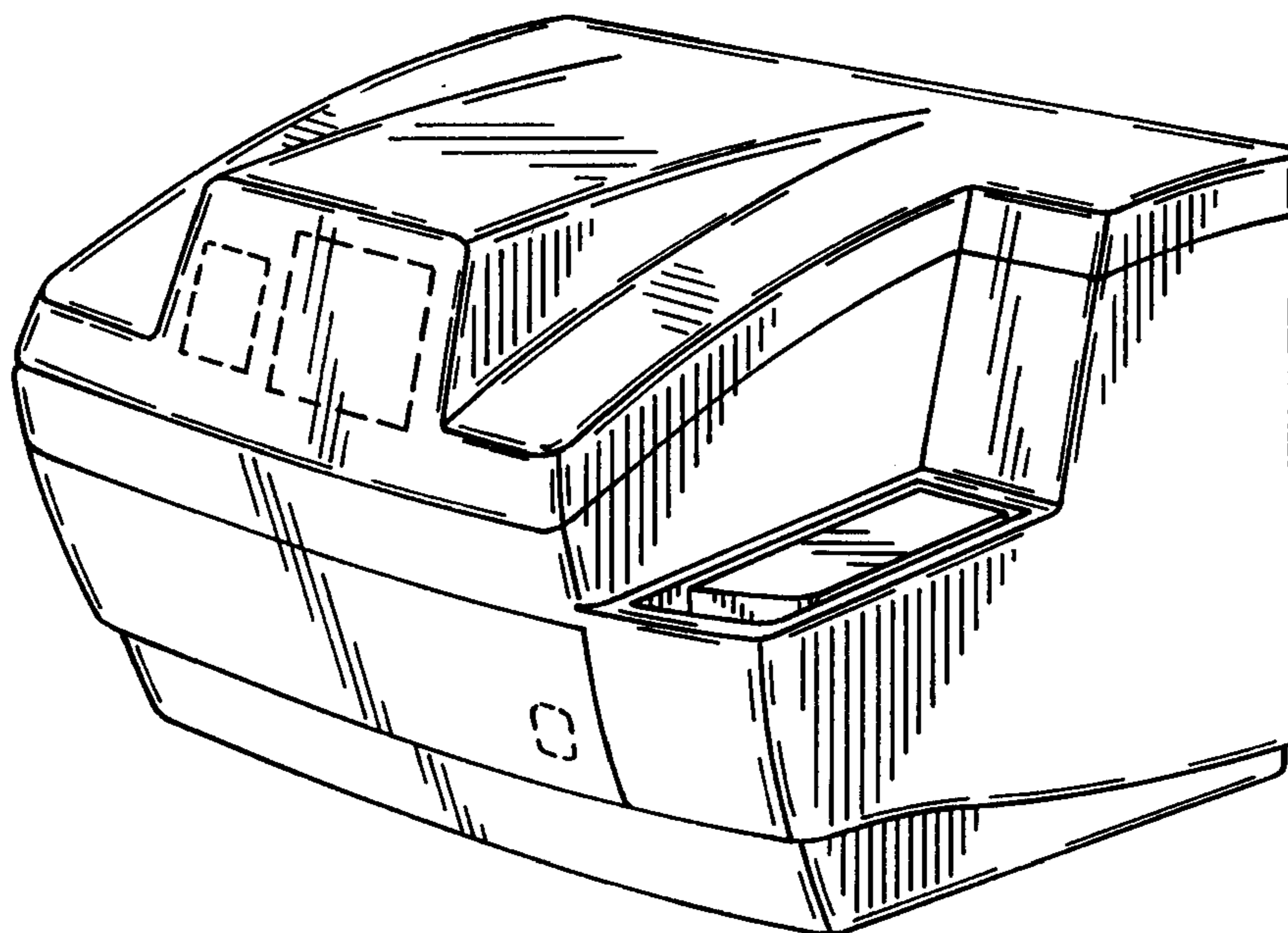
FIG. 5 is a left side elevational view thereof;

FIG. 6 is a back view thereof; and,

FIG. 7 is a bottom view thereof.

The broken line showing of the control panels is for reference only and forms no part of the claimed design.

**1 Claim, 3 Drawing Sheets**



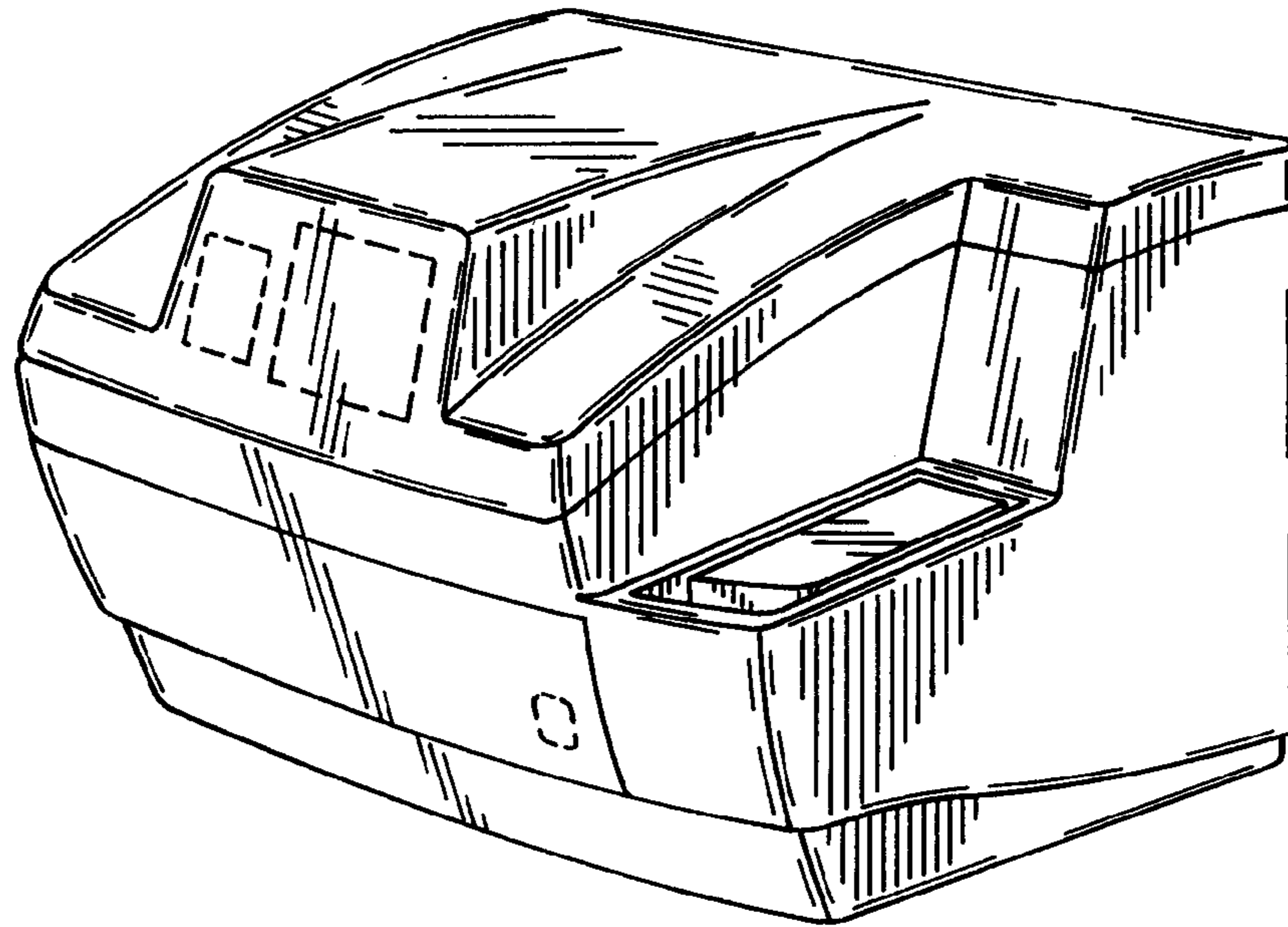


FIG. 1

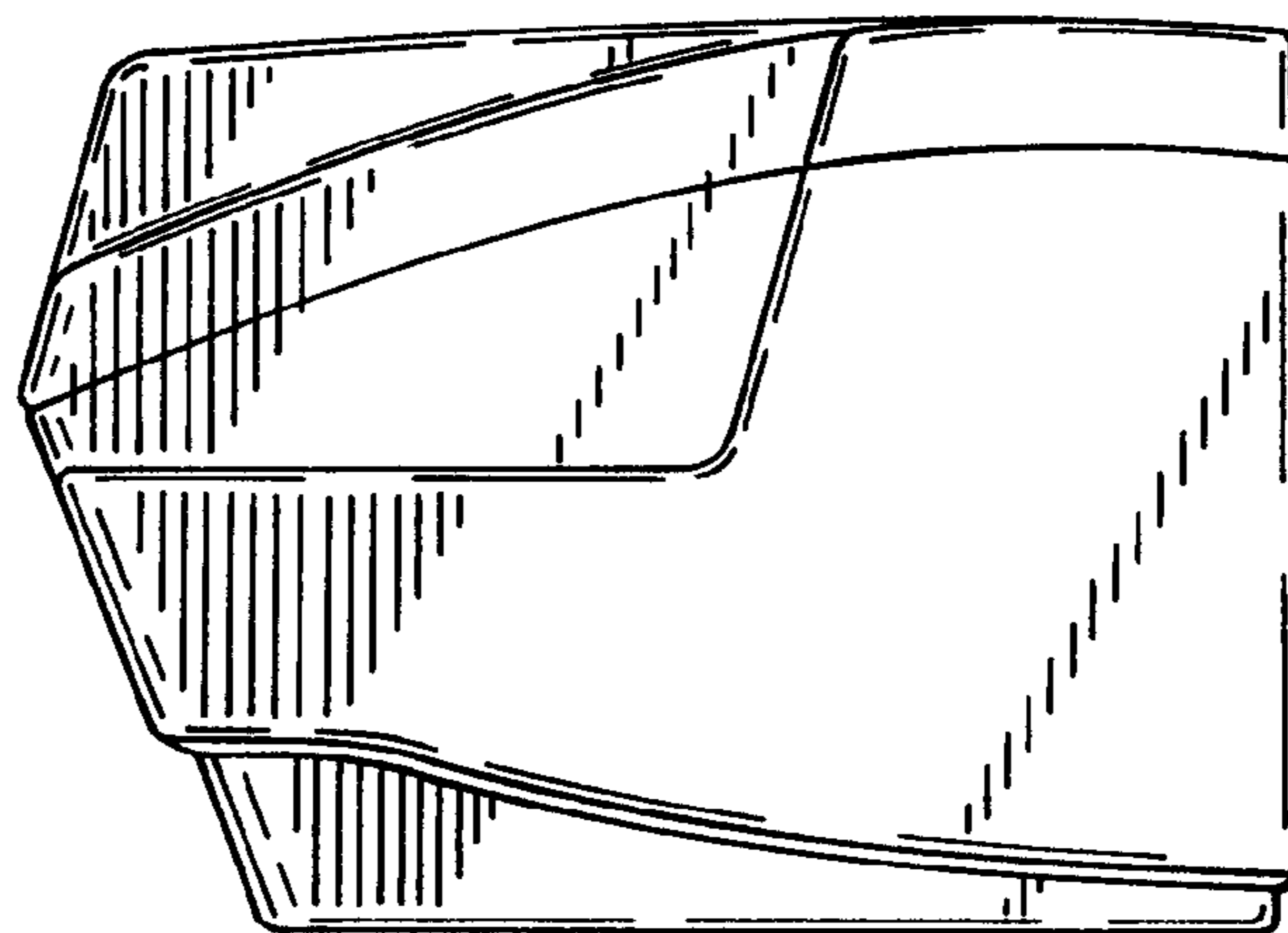


FIG. 2

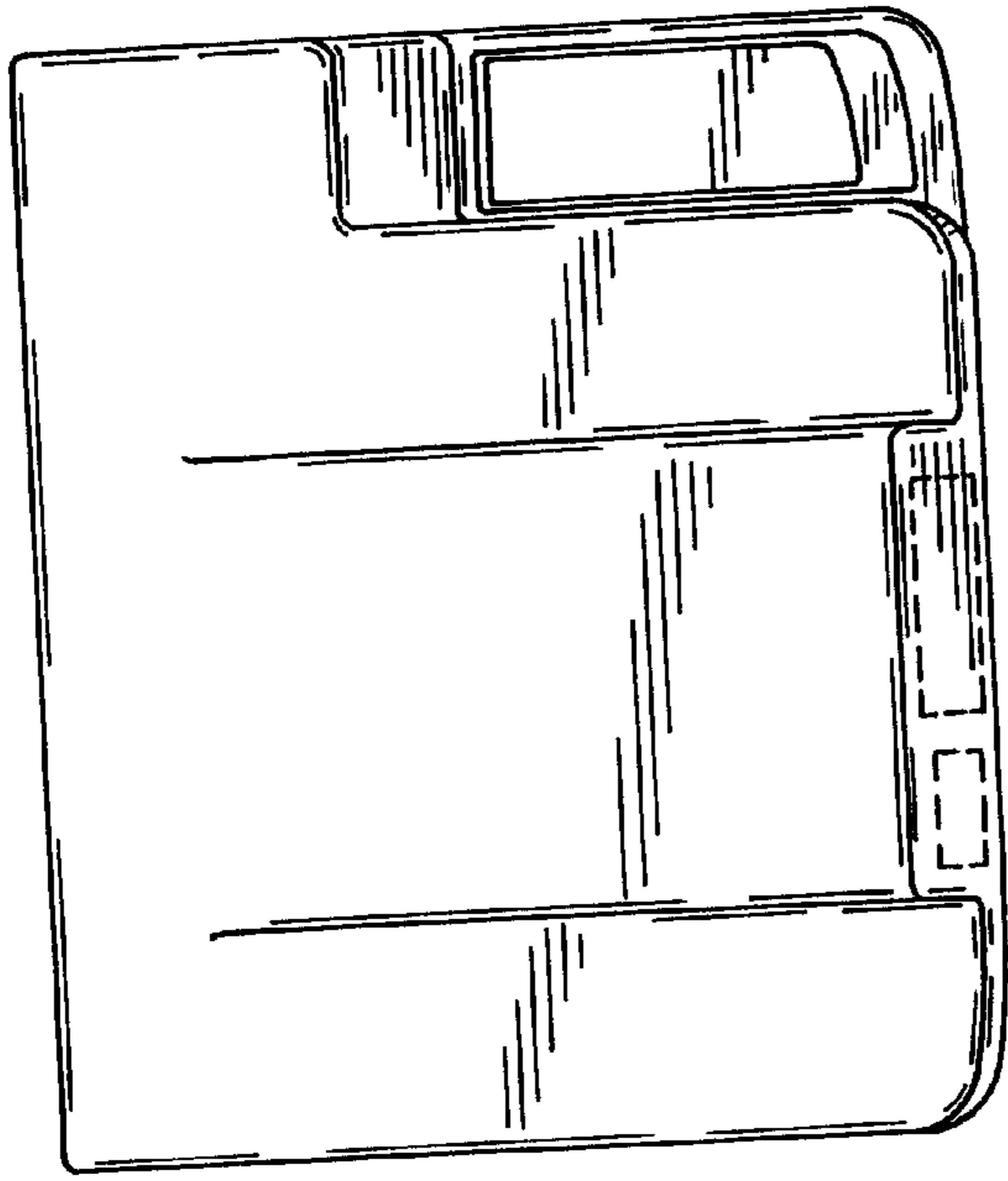


FIG. 4

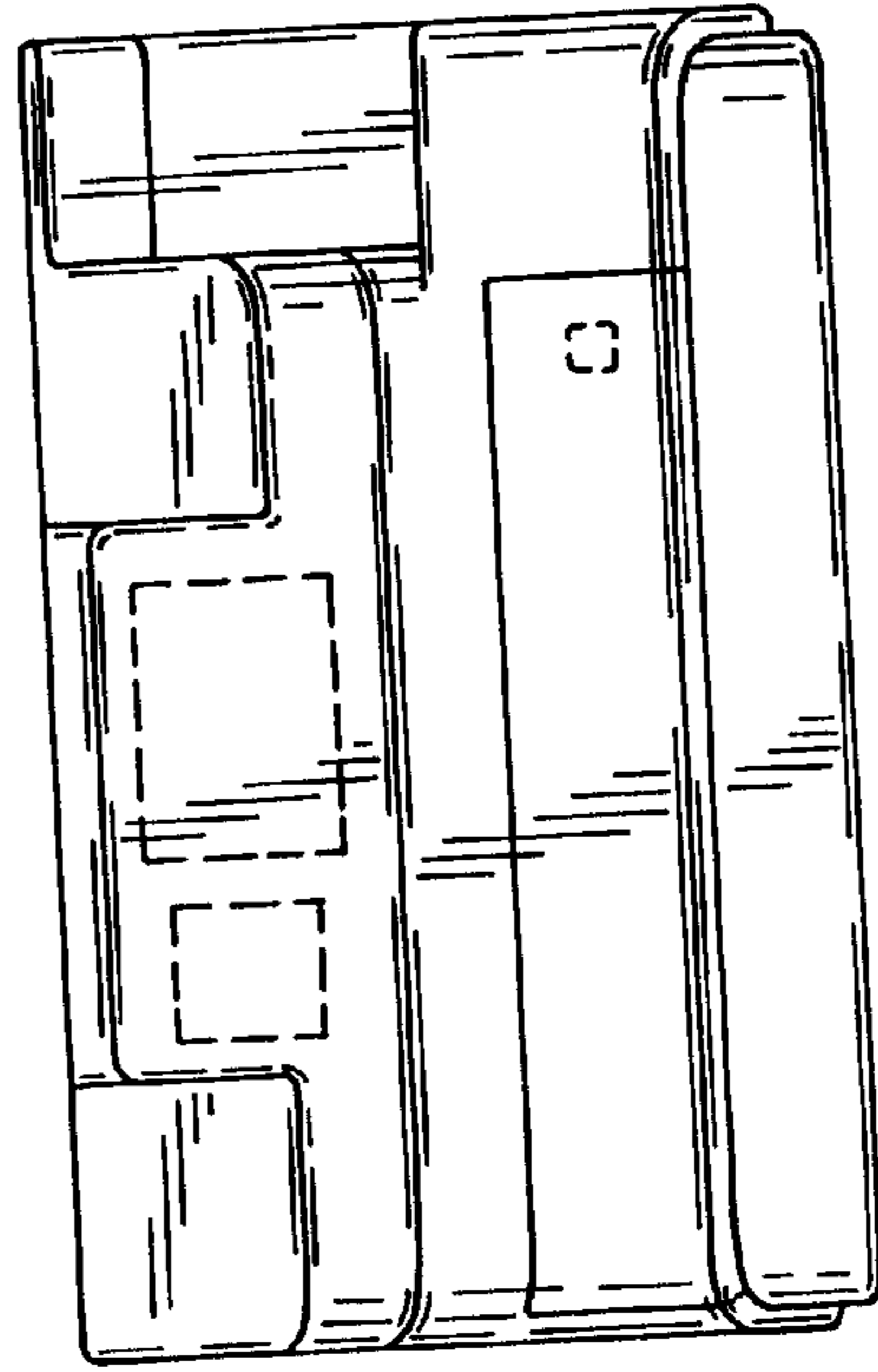


FIG. 3

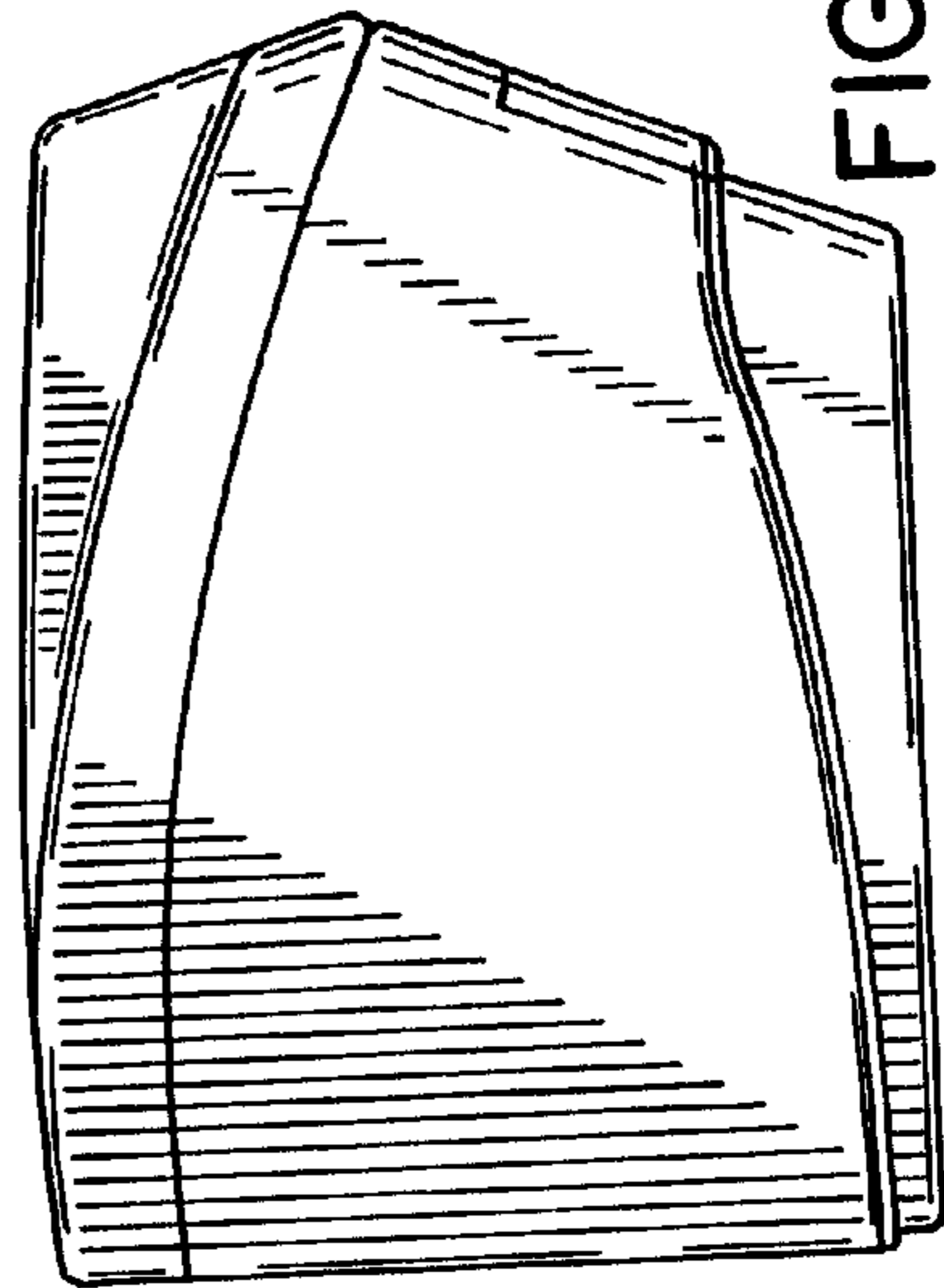


FIG. 5

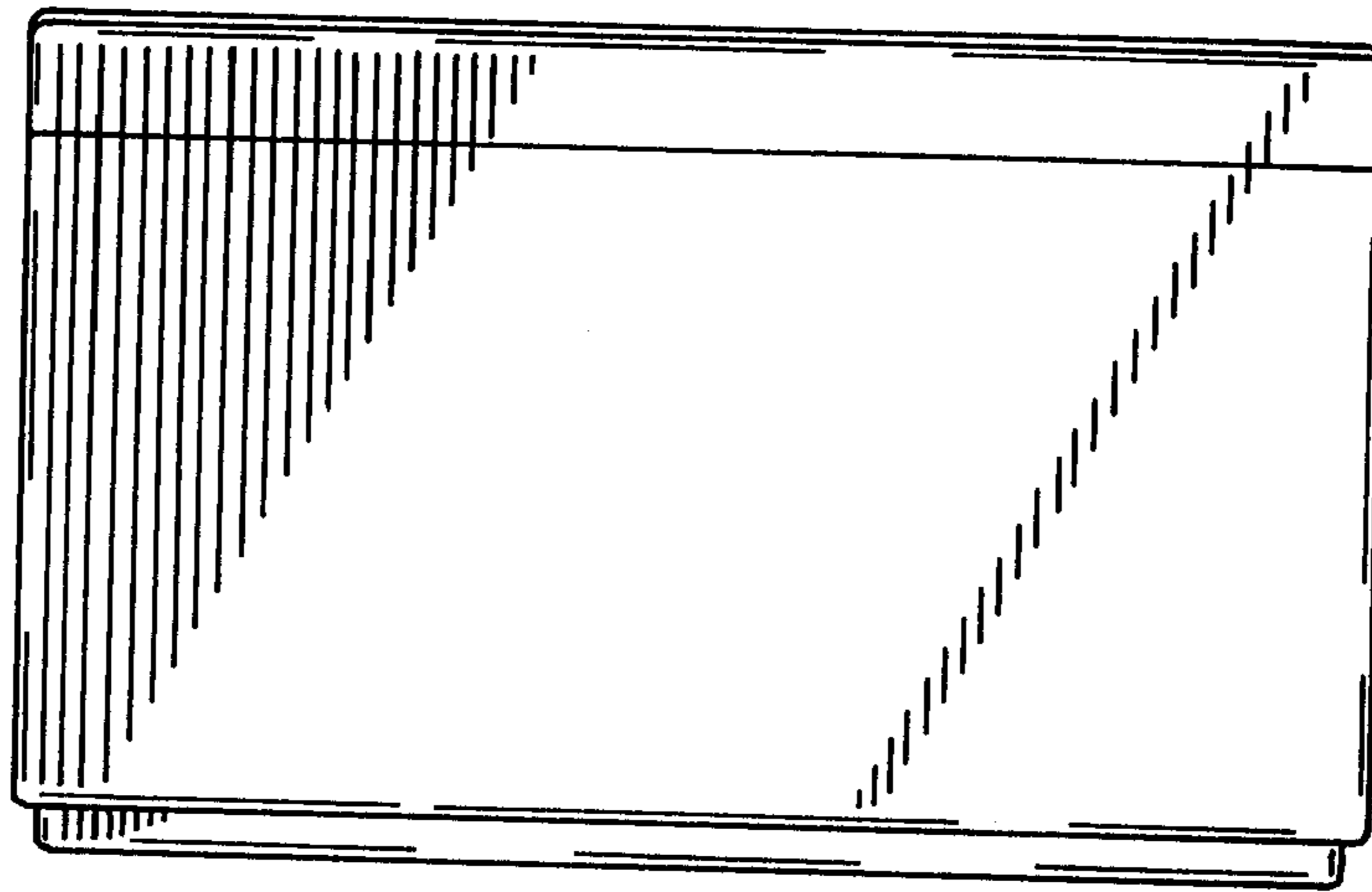


FIG. 6

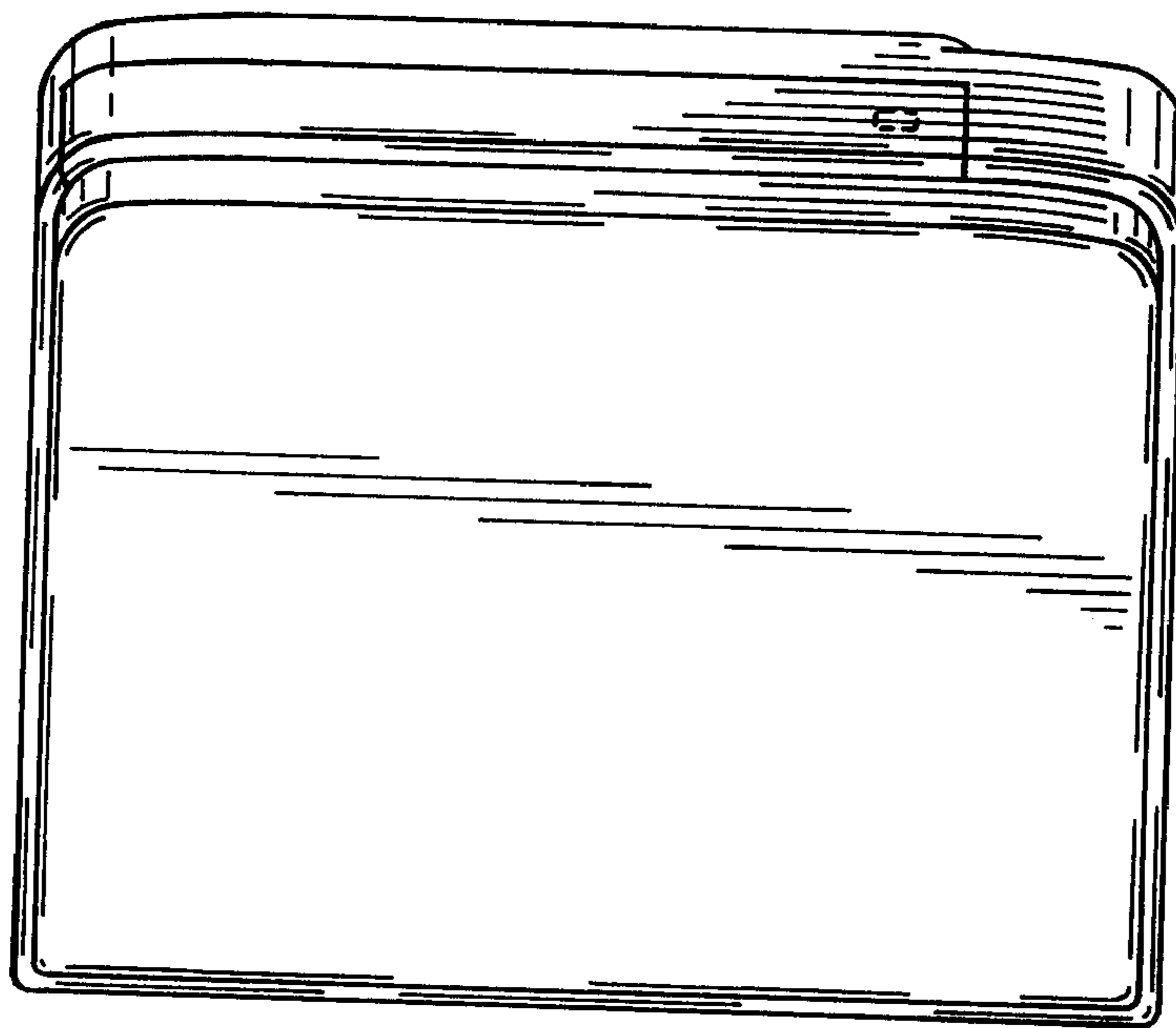


FIG. 7