

US00D538429S

(12) **United States Design Patent**
Wolf

(10) **Patent No.:** **US D538,429 S**
(45) **Date of Patent:** **** Mar. 13, 2007**

(54) **TROCAR FOR USE WITH MORCELLATOR**

6,572,632 B2 * 6/2003 Zisterer et al. 606/170
6,638,238 B1 10/2003 Weber et al. 604/22

(75) Inventor: **Theo Wolf**, Senden (DE)

FOREIGN PATENT DOCUMENTS

(73) Assignee: **Karl Storz GmbH & Co. KG** (DE)

DE 199 16 144 A1 3/2000
EP 0 555 803 B1 2/1993
EP 0 806 183 A1 5/1997
WO 021083006 A2 10/2002

(**) Term: **14 Years**

(21) Appl. No.: **29/225,312**

* cited by examiner

(22) Filed: **Mar. 14, 2005**

Primary Examiner—Ian Simmons

Assistant Examiner—W. Laymon

(30) **Foreign Application Priority Data**

Sep. 14, 2004 (EM) 000227202

(74) *Attorney, Agent, or Firm*—St. Onge Steward Johnston & Reens LLC

(51) **LOC (8) Cl.** **24-02**

(52) **U.S. Cl.** **D24/146; D24/108; D24/130; D24/147**

(58) **Field of Classification Search** D24/146, D24/147, 133, 140, 130, 112, 114, 108; 606/167, 606/170, 46, 184, 180; 600/566, 567, 568
See application file for complete search history.

(57) **CLAIM**

The ornamental design for a trocar for use with morcellator, as shown and described.

DESCRIPTION

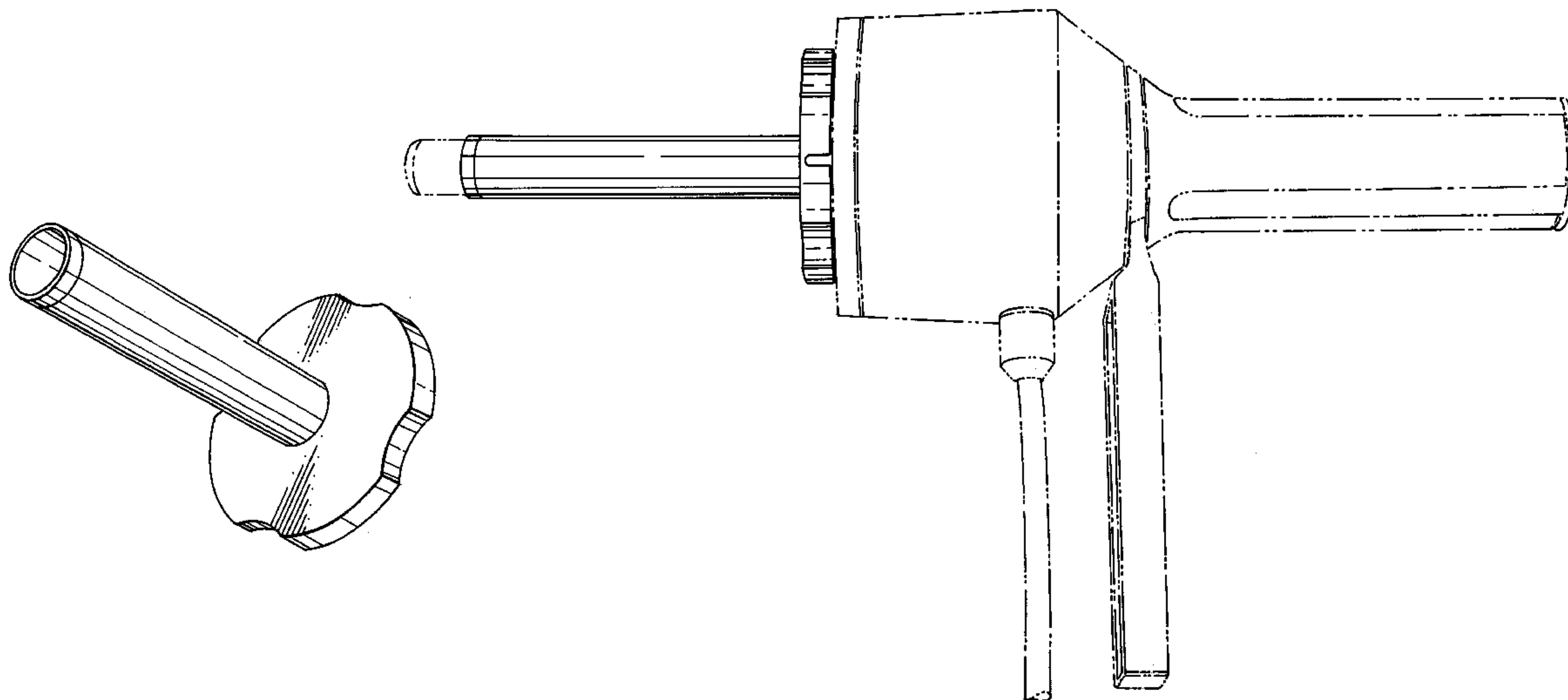
FIG. 1 is a front perspective view of a trocar for use with morcellator in accordance with the new design; FIG. 2 is a right side perspective view thereof; FIG. 3 is a left side perspective view thereof; FIG. 4 is a bottom perspective view thereof; and, FIG. 5 is a front perspective view thereof. The broken line showing is for illustrative purposes only and forms no part of the claimed design.

(56) **References Cited**

U.S. PATENT DOCUMENTS

5,123,904 A 6/1992 Shimomura et al. 604/22
5,368,607 A * 11/1994 Freitas 600/567
5,618,296 A 4/1997 Sorensen et al. 606/180
5,879,358 A * 3/1999 Semm 606/180
6,039,748 A * 3/2000 Savage et al. 606/180
6,213,957 B1 * 4/2001 Milliman et al. 600/566

1 Claim, 4 Drawing Sheets



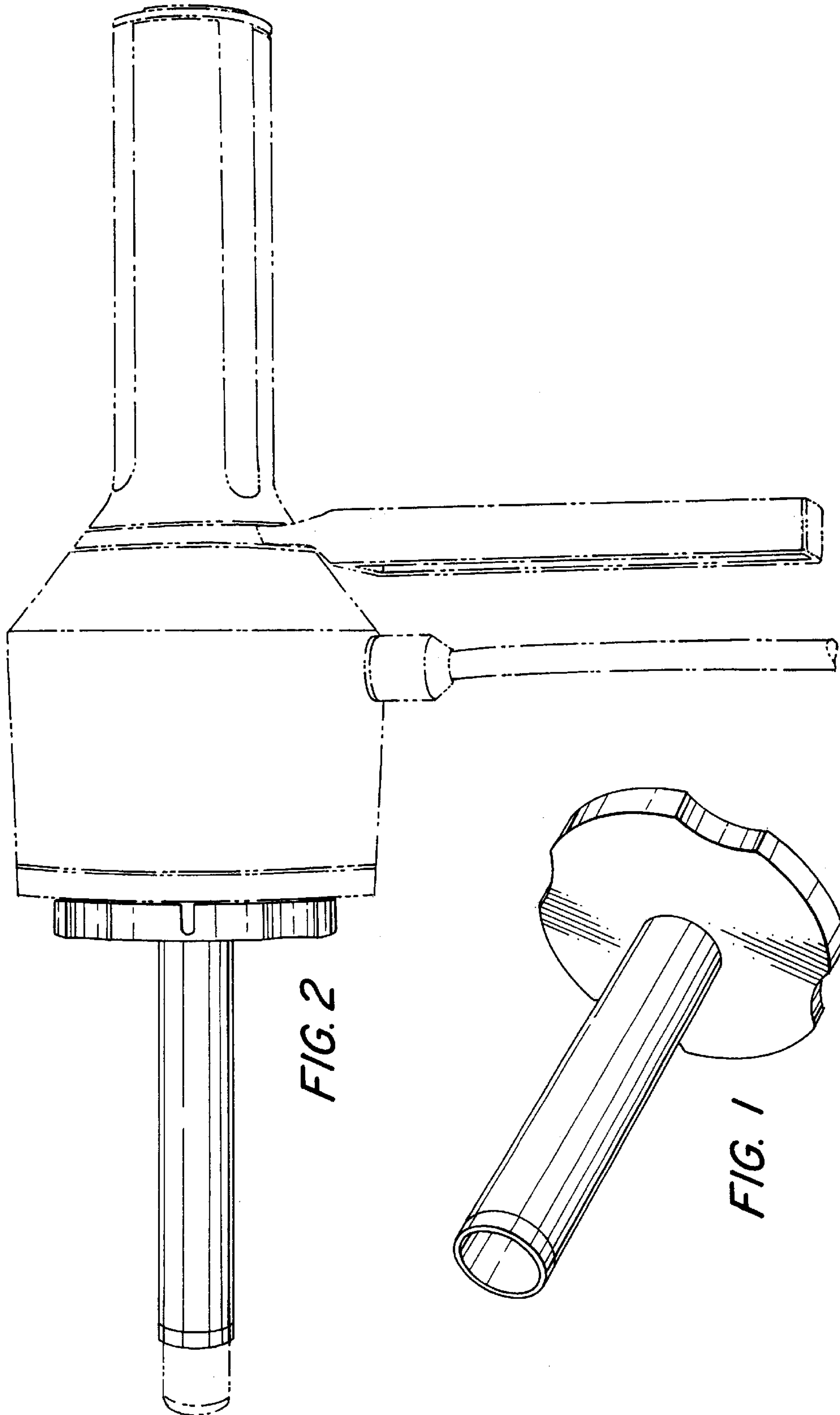
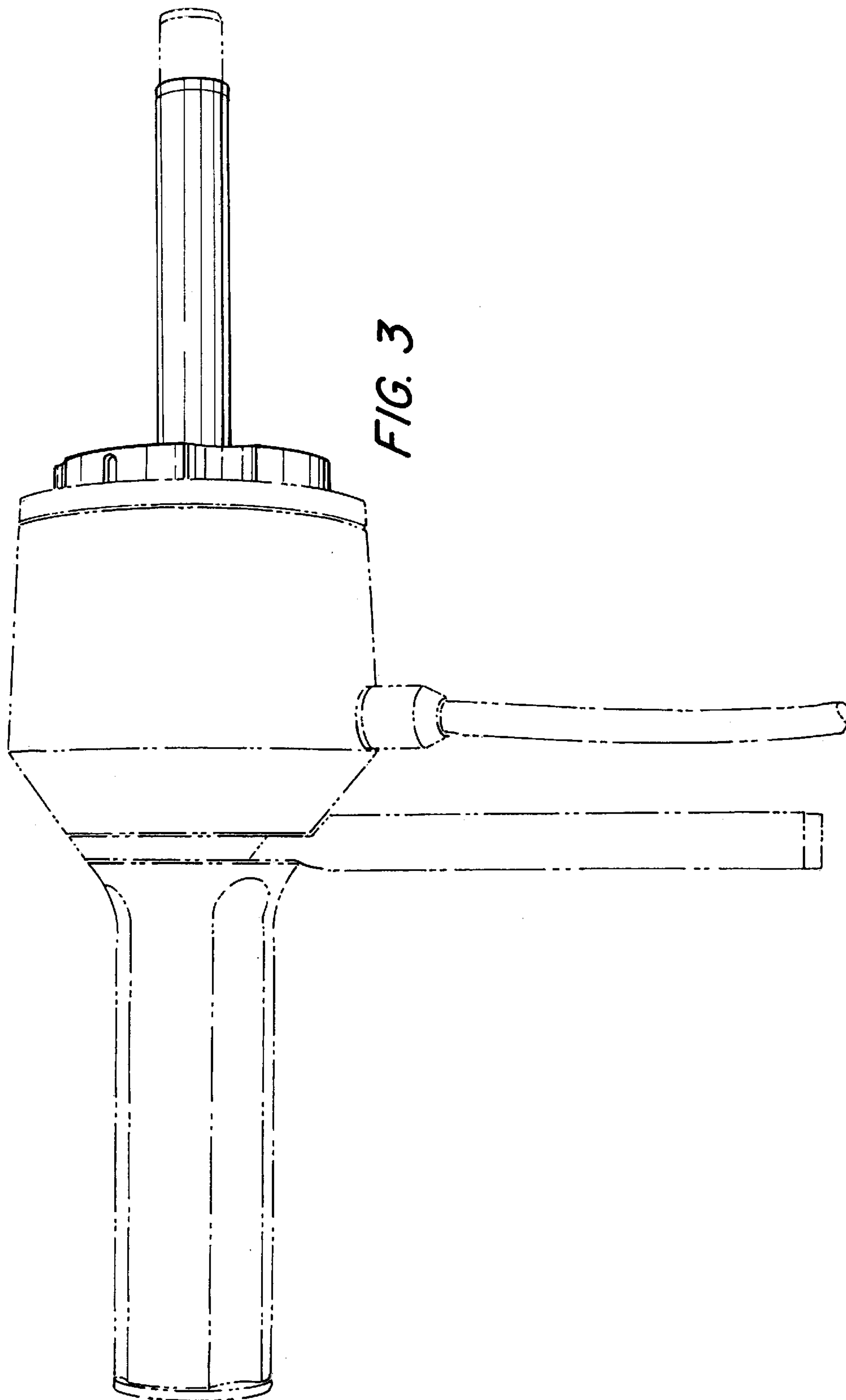


FIG. 2

FIG. 1



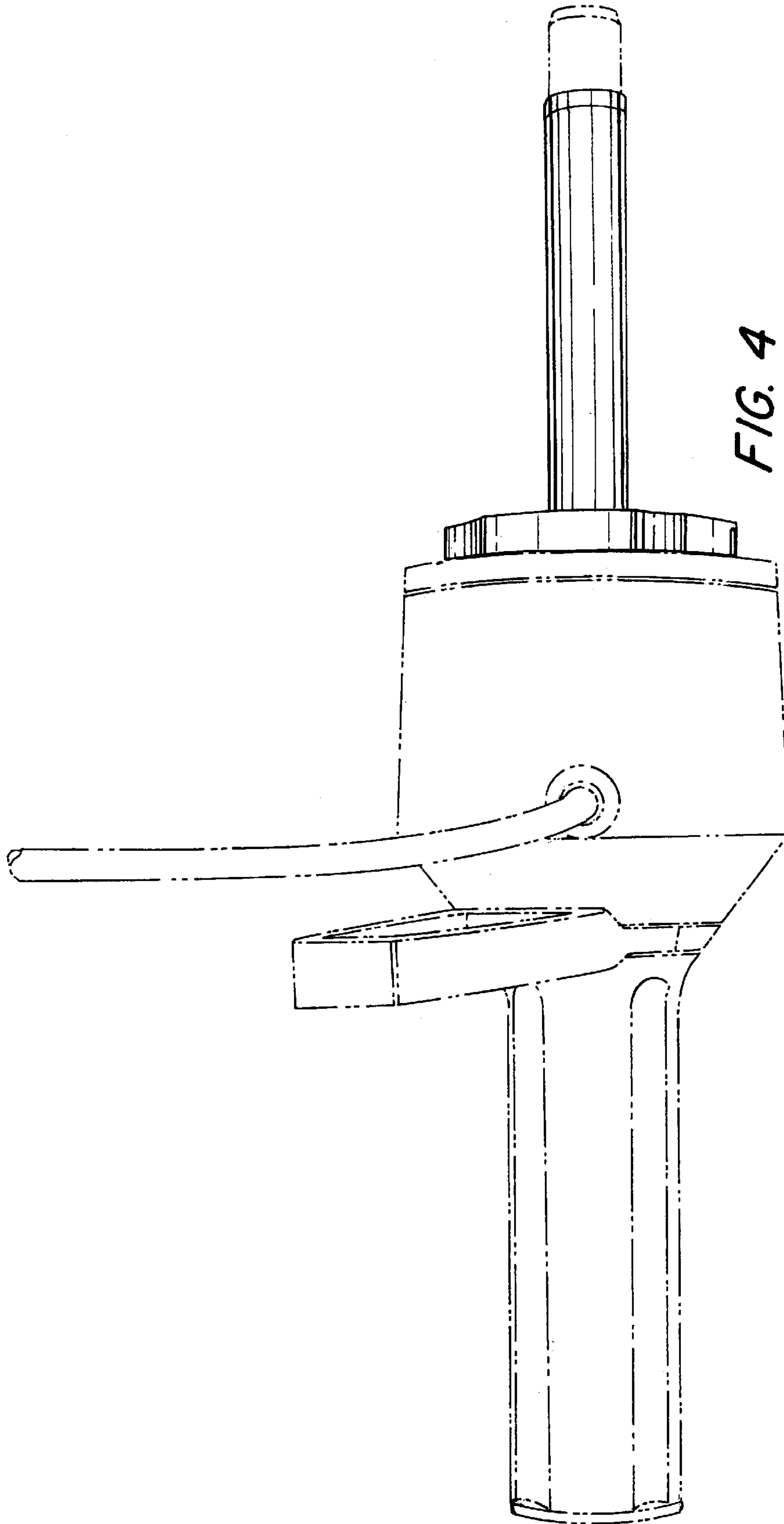


FIG. 4

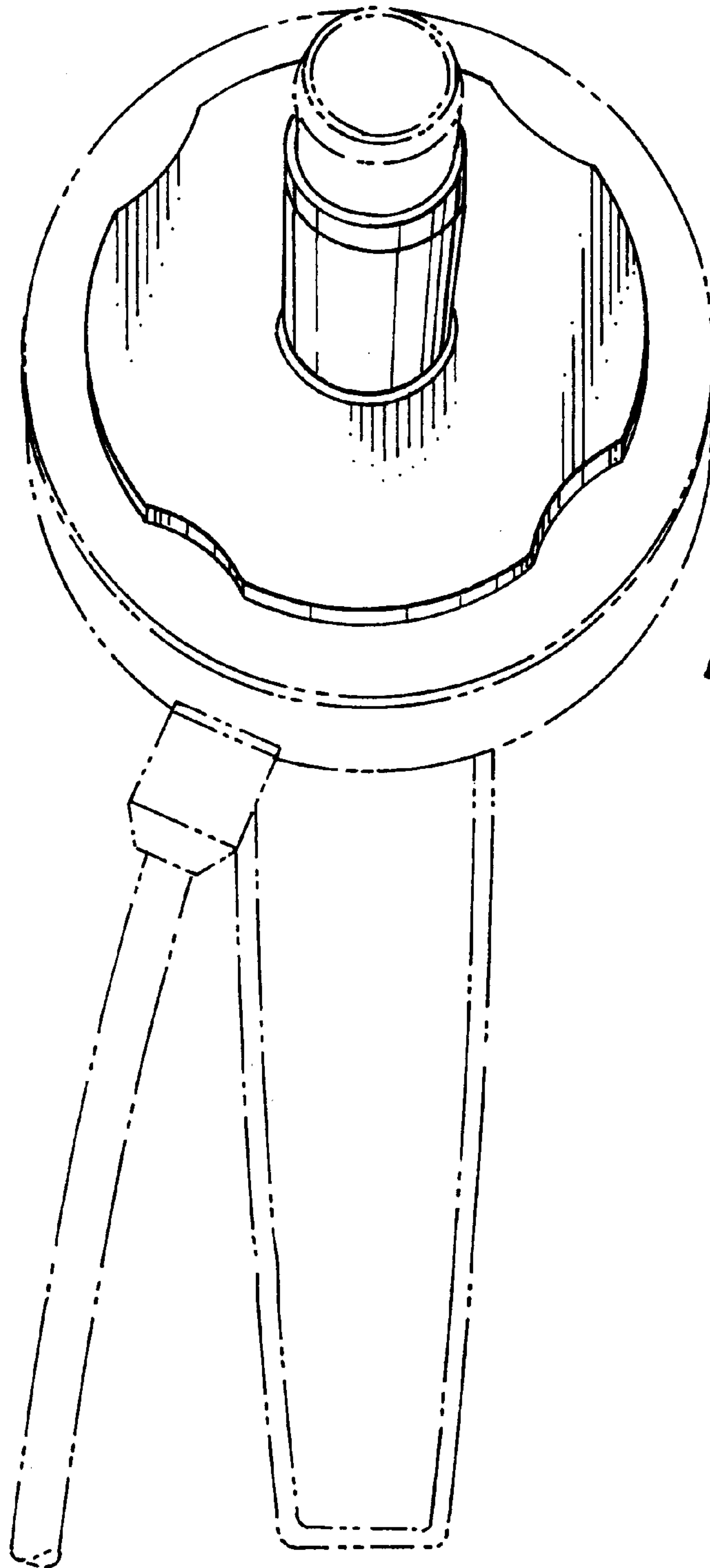


FIG. 5