



US00D538427S

(12) **United States Design Patent**
Costa et al.

(10) **Patent No.:** **US D538,427 S**

(45) **Date of Patent:** **** Mar. 13, 2007**

(54) **TONGUE DEPRESSOR HOLDING DEVICE**

(75) Inventors: **Richard Costa**, Bedminster, NJ (US);
Hung Mach, Fort Lee, NJ (US)

(73) Assignee: **PharmaDesign Inc.**, Warren, NJ (US)

(**) Term: **14 Years**

(21) Appl. No.: **29/245,432**

(22) Filed: **Dec. 22, 2005**

(51) **LOC (8) Cl.** **24-02**

(52) **U.S. Cl.** **D24/136**

(58) **Field of Classification Search** D24/136;
D26/38; D21/552; D12/84; 600/240; 128/860;
433/140-141; 426/134; 604/77, 11
See application file for complete search history.

(56) **References Cited**

U.S. PATENT DOCUMENTS

4,688,824	A	*	8/1987	Herring	280/762
D309,643	S	*	7/1990	Picozza et al.	D21/552
5,891,019	A	*	4/1999	Young et al.	600/240
D423,667	S	*	4/2000	Coe	D24/136
D502,263	S	*	2/2005	Feller et al.	D24/136

* cited by examiner

Primary Examiner—Antoine D. Davis

Assistant Examiner—Christopher Lee

(74) *Attorney, Agent, or Firm*—Watov & Kipnes, P.C.

(57) **CLAIM**

The ornamental design for a tongue depressor holding device, as shown and described.

DESCRIPTION

FIG. 1 is a right side view of the tongue depressor holding device;

FIG. 2 is a top view thereof;

FIG. 3 is a bottom view thereof;

FIG. 4 is a left side view thereof;

FIG. 5 is a front view thereof;

FIG. 6 is a rear view thereof;

FIG. 7 is a front perspective view thereof;

FIG. 8 is a rear perspective view thereof;

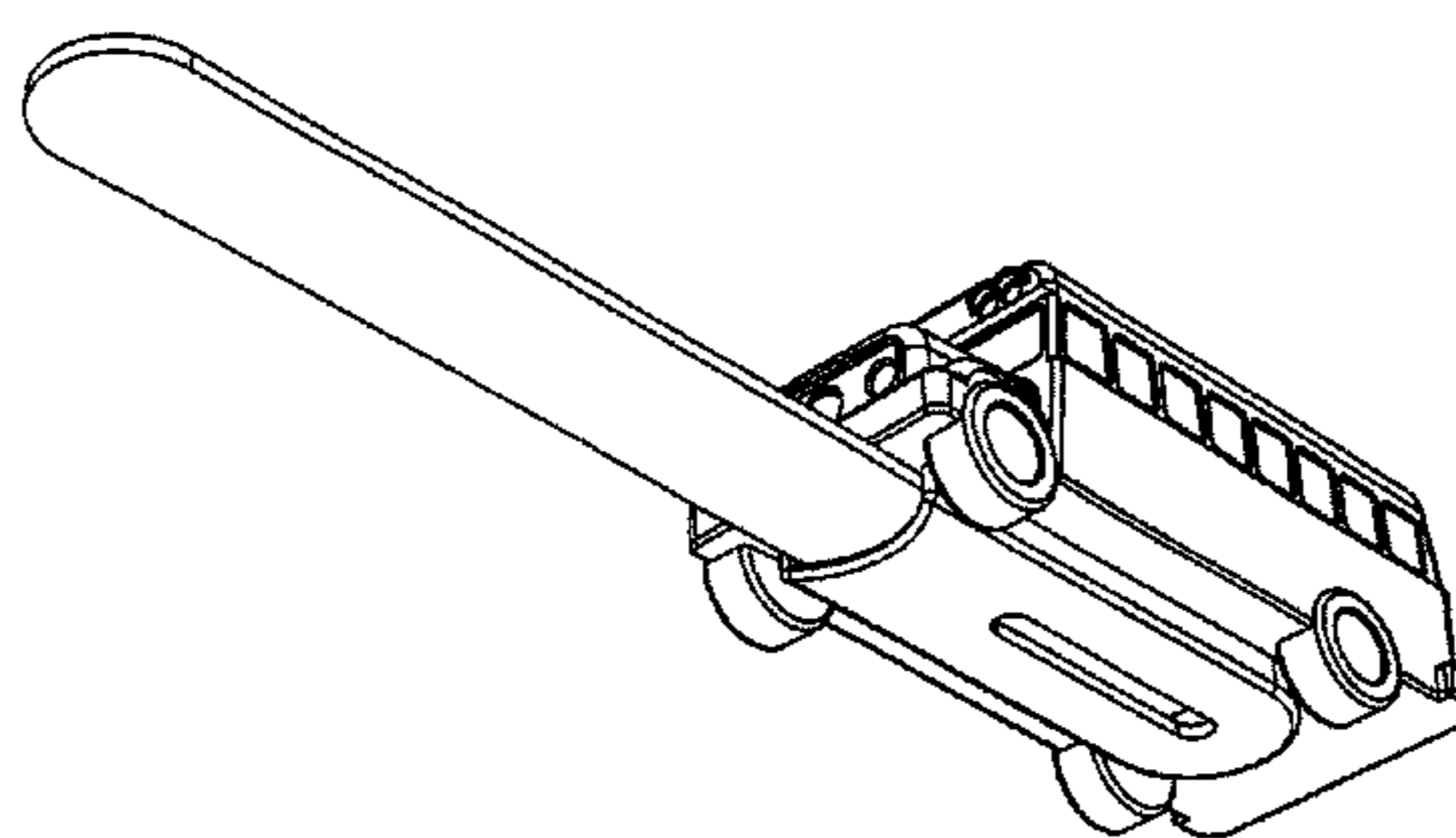
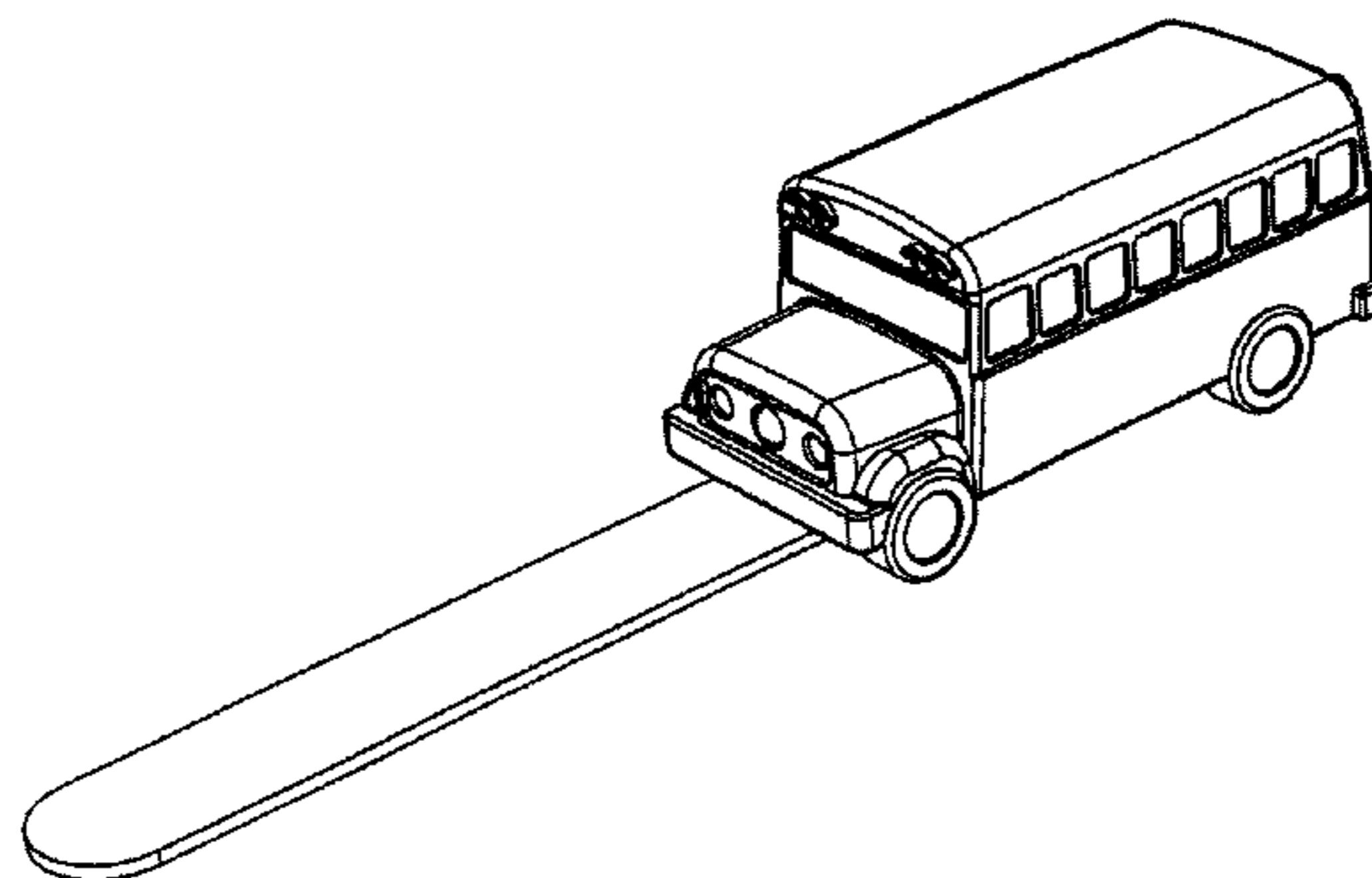
FIG. 9 is a front perspective view of the tongue depressor holding device with a tongue depressor extending from the front of the holding device;

FIG. 10 is a bottom perspective view of the tongue depressor holding device with a tongue depressor extending from the front of the holding device;

FIG. 11 is a rear perspective view of the tongue depressor holding device with a tongue depressor extending from the front of the holding device; and,

FIG. 12 is a left side rear perspective view of the tongue depressor holding device showing the tongue depressor secured at the bottom of the holding device and extending from the front thereof.

1 Claim, 5 Drawing Sheets



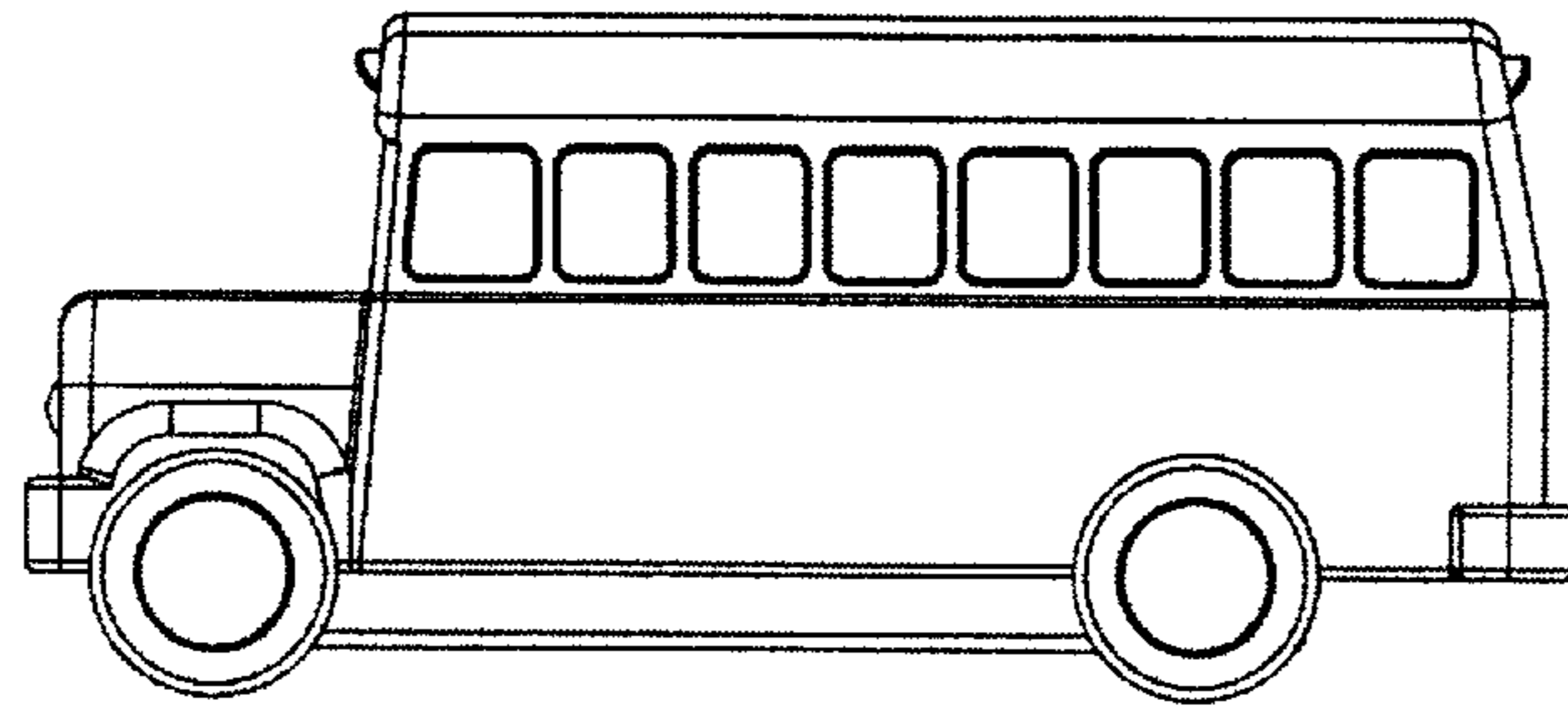


Figure 1

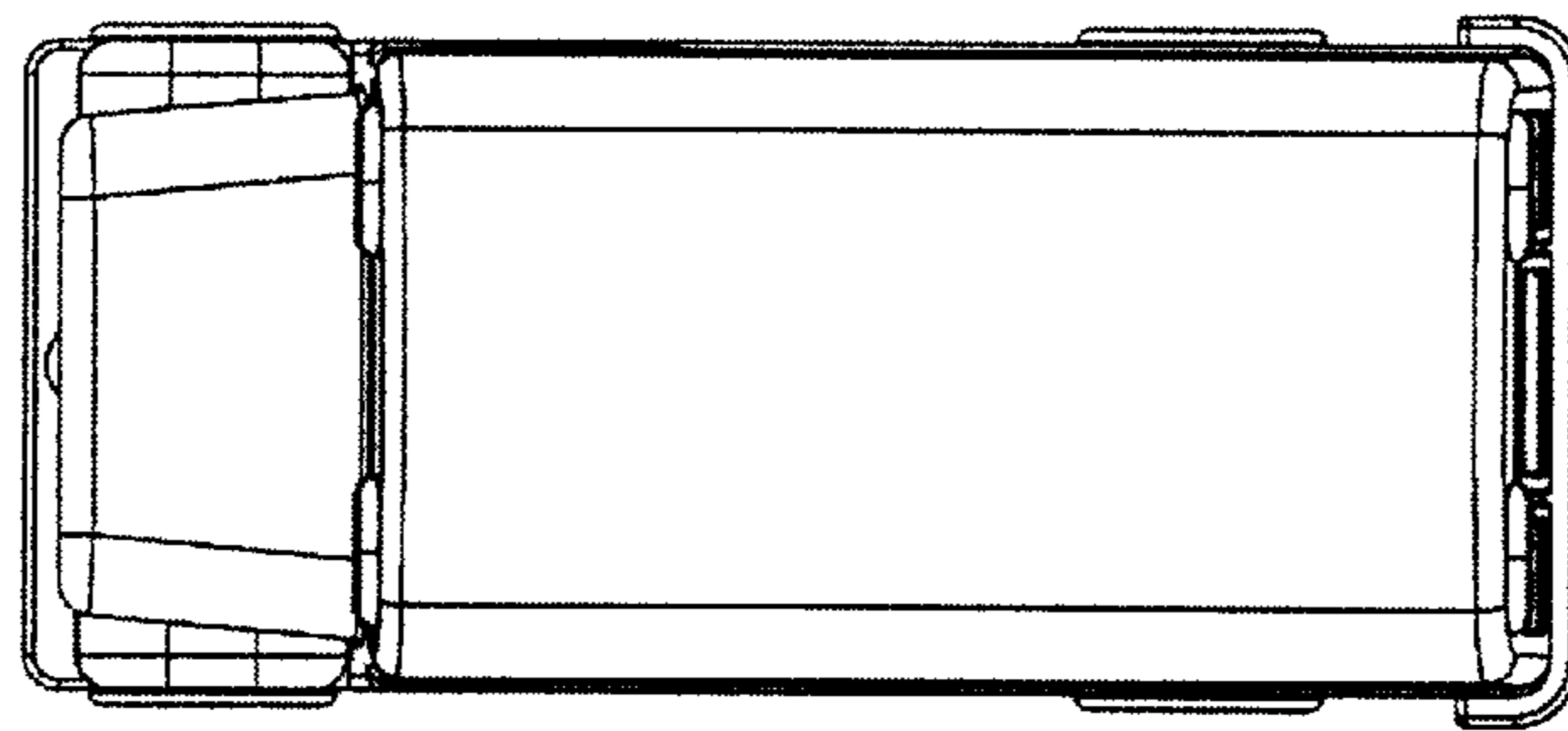


Figure 2

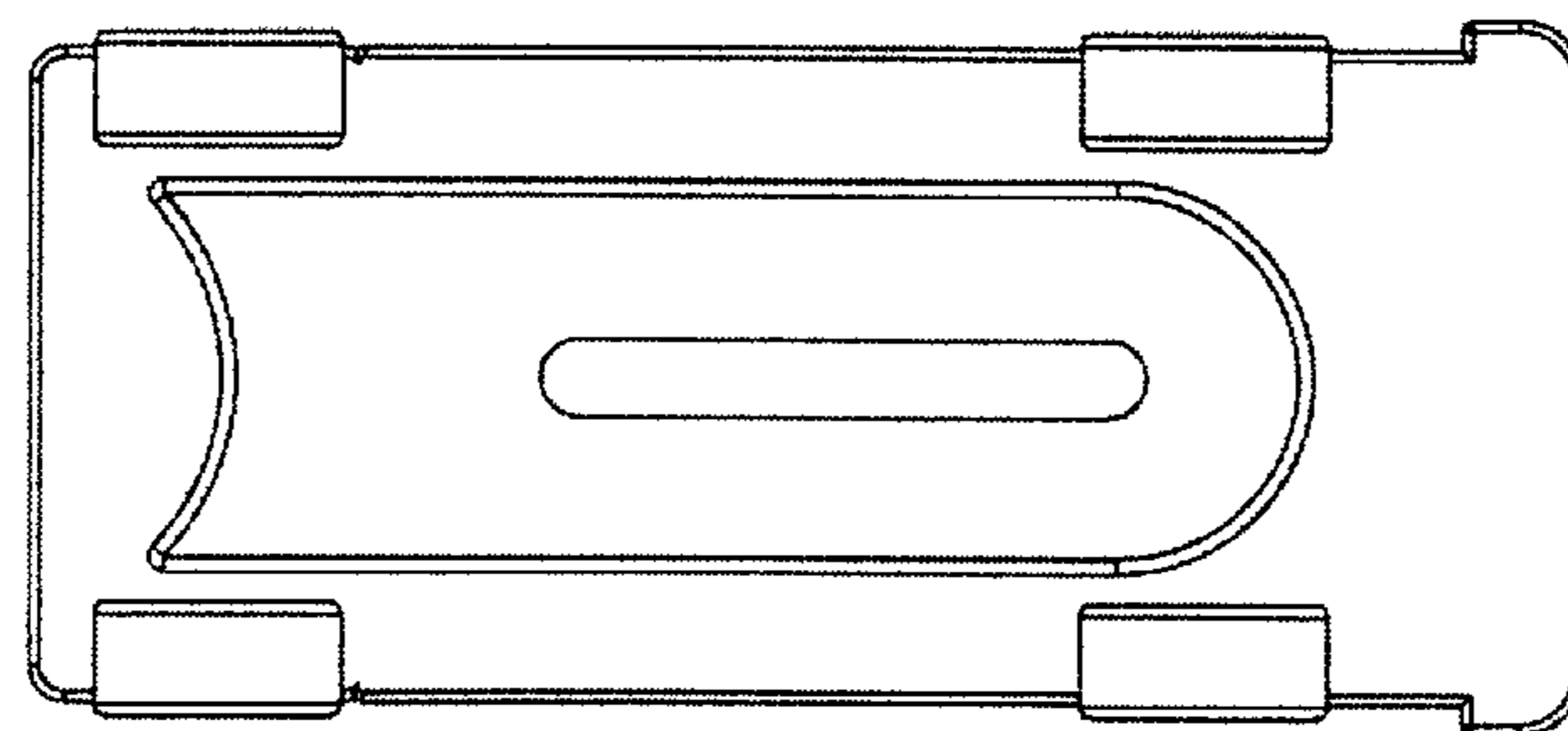


Figure 3

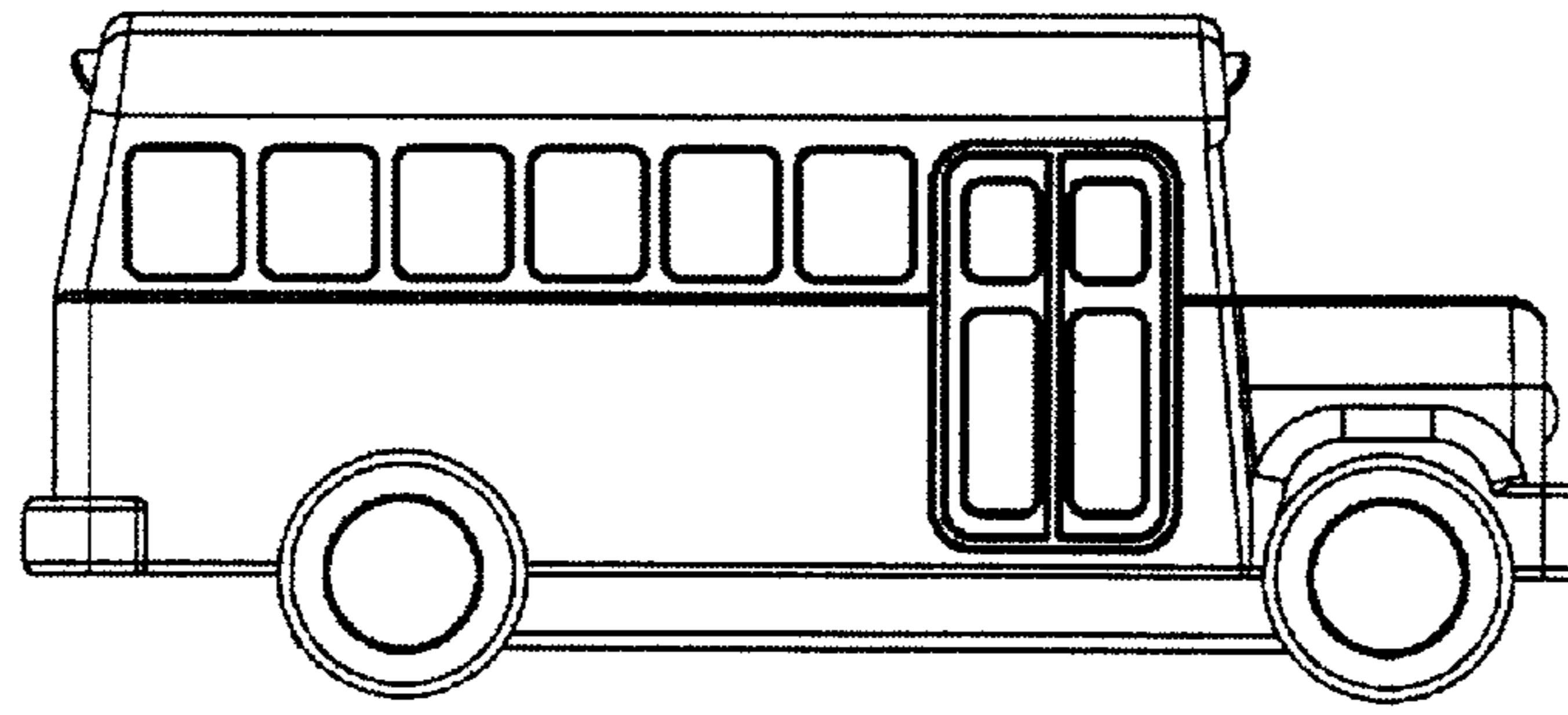


Figure 4

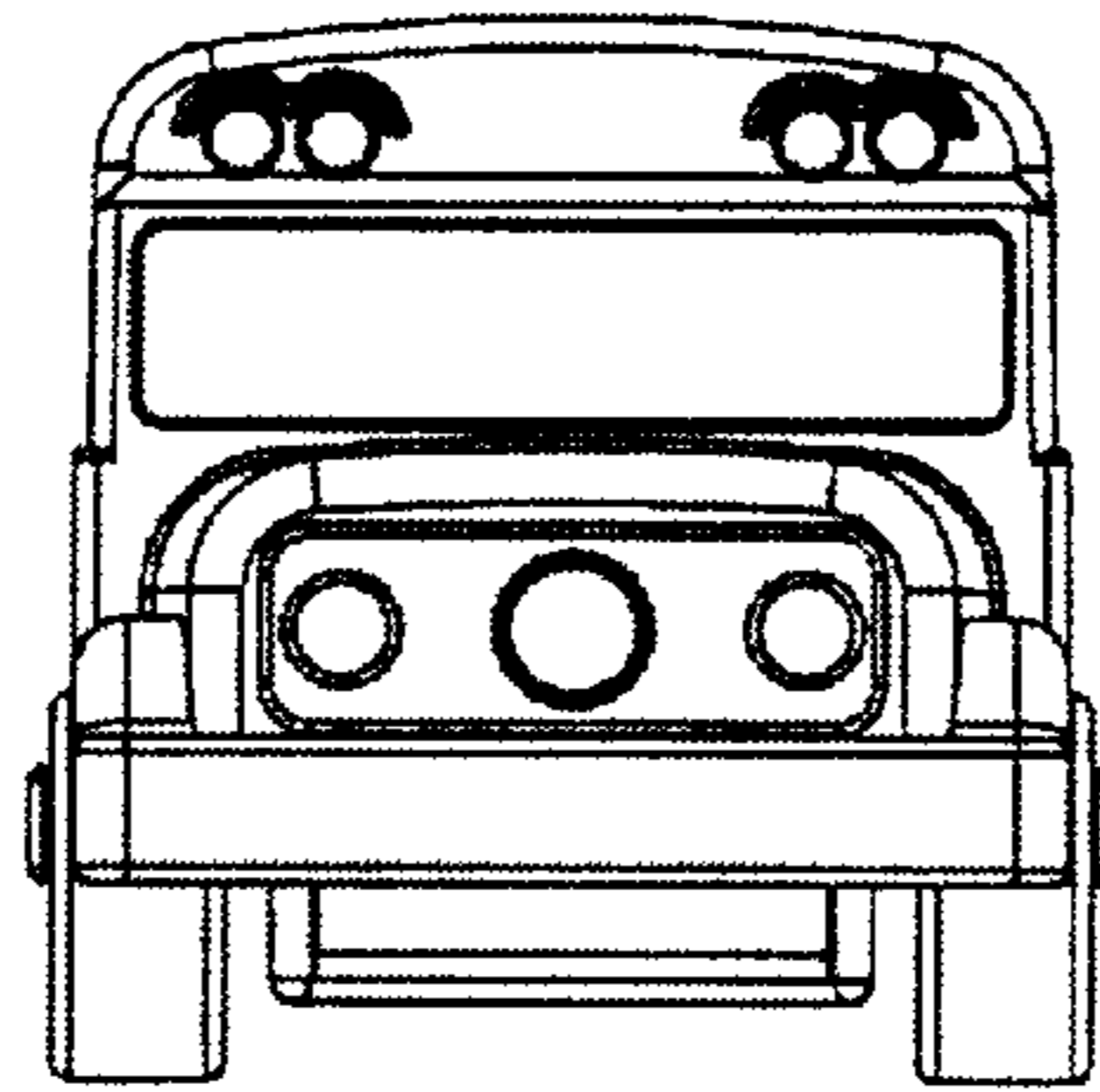


Figure 5

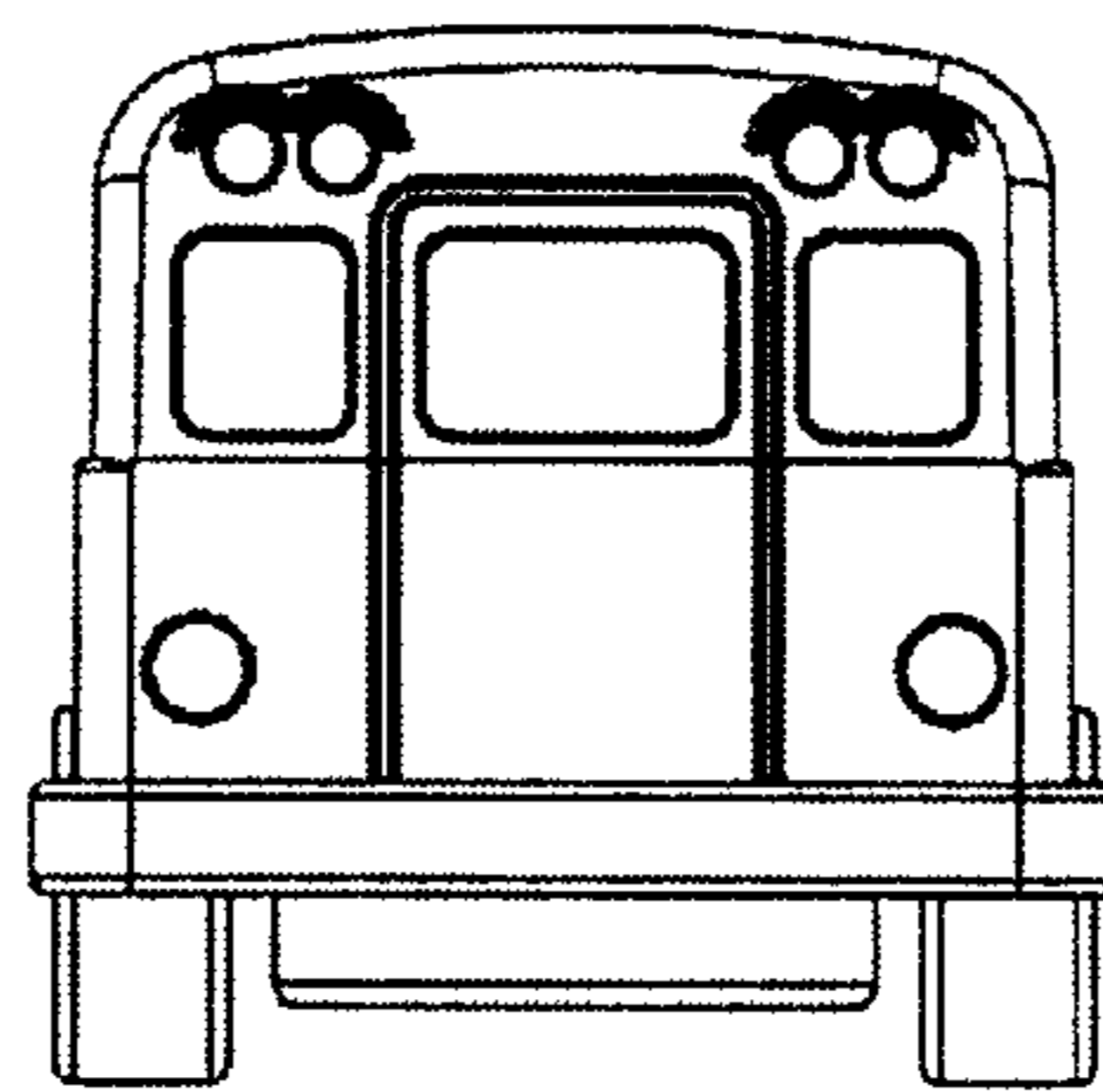


Figure 6

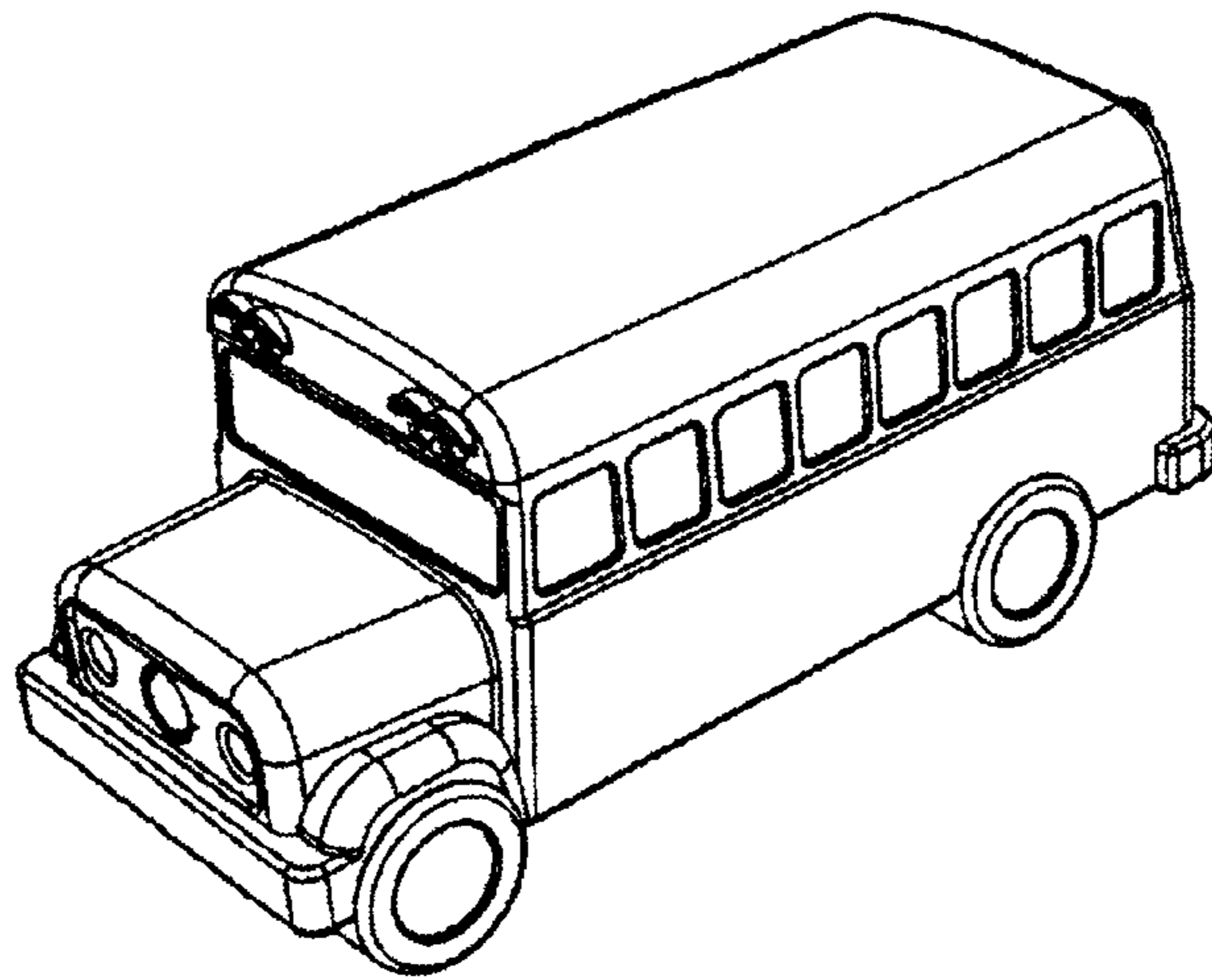


Figure 7

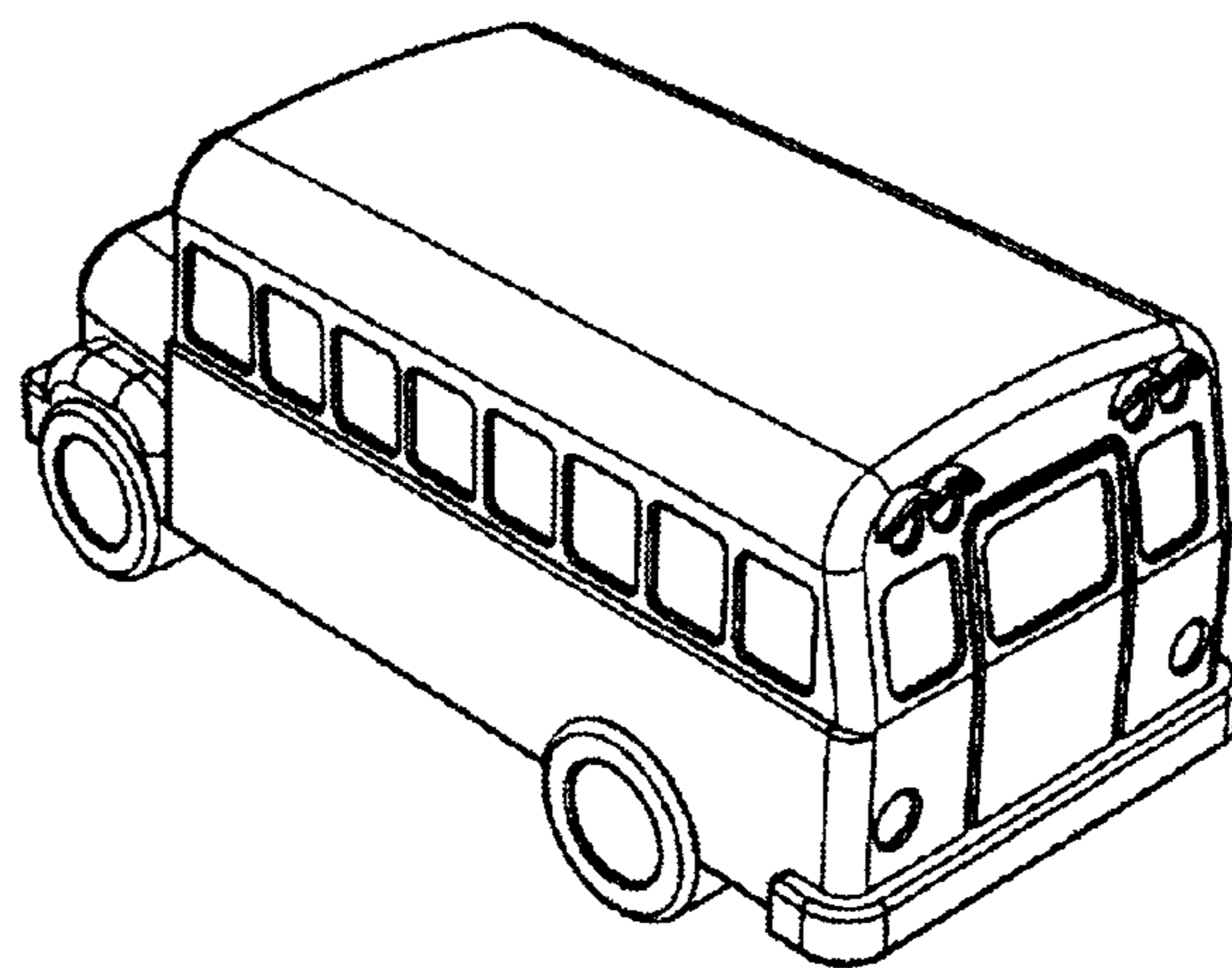


Figure 8

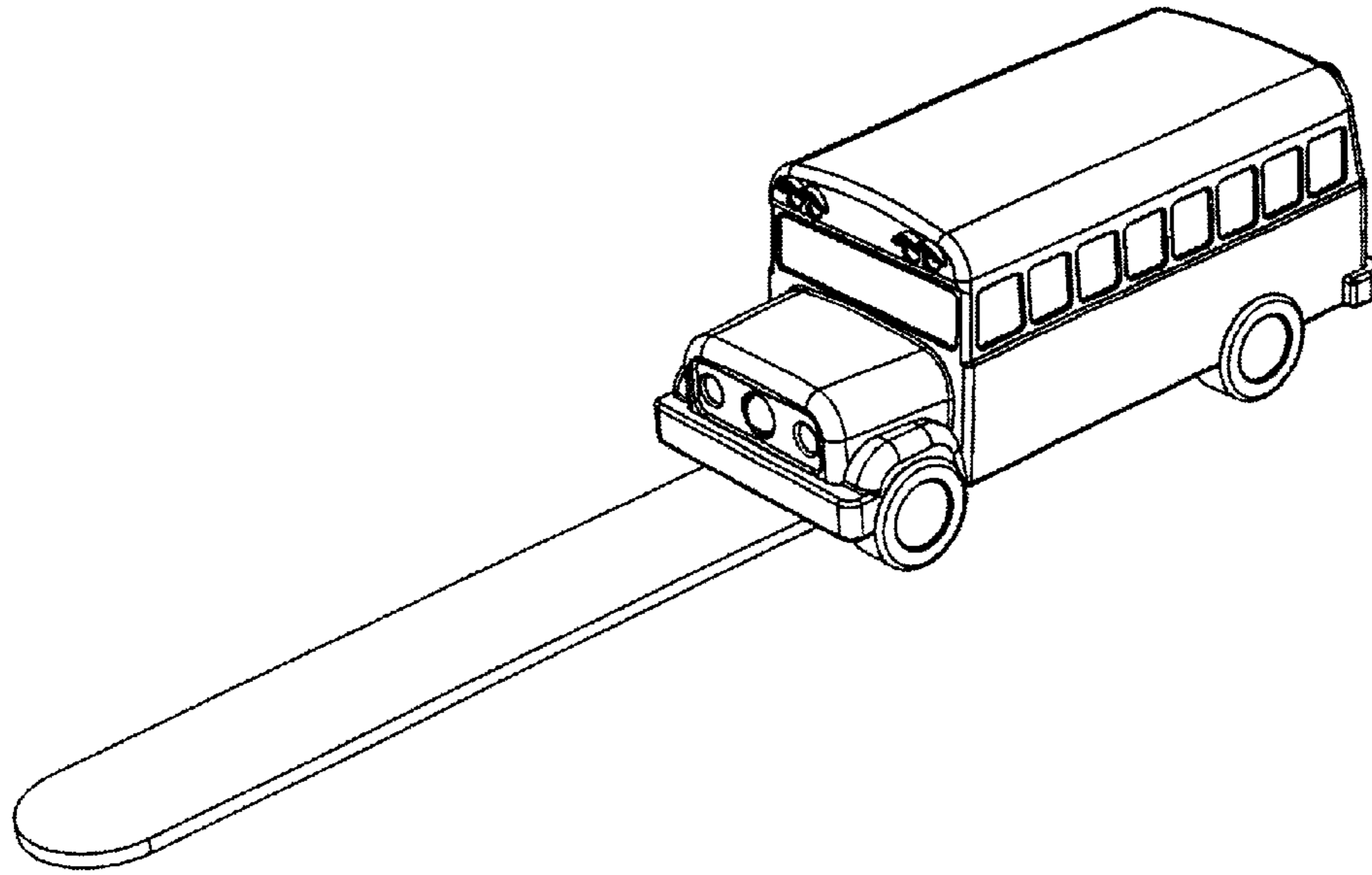


Figure 9

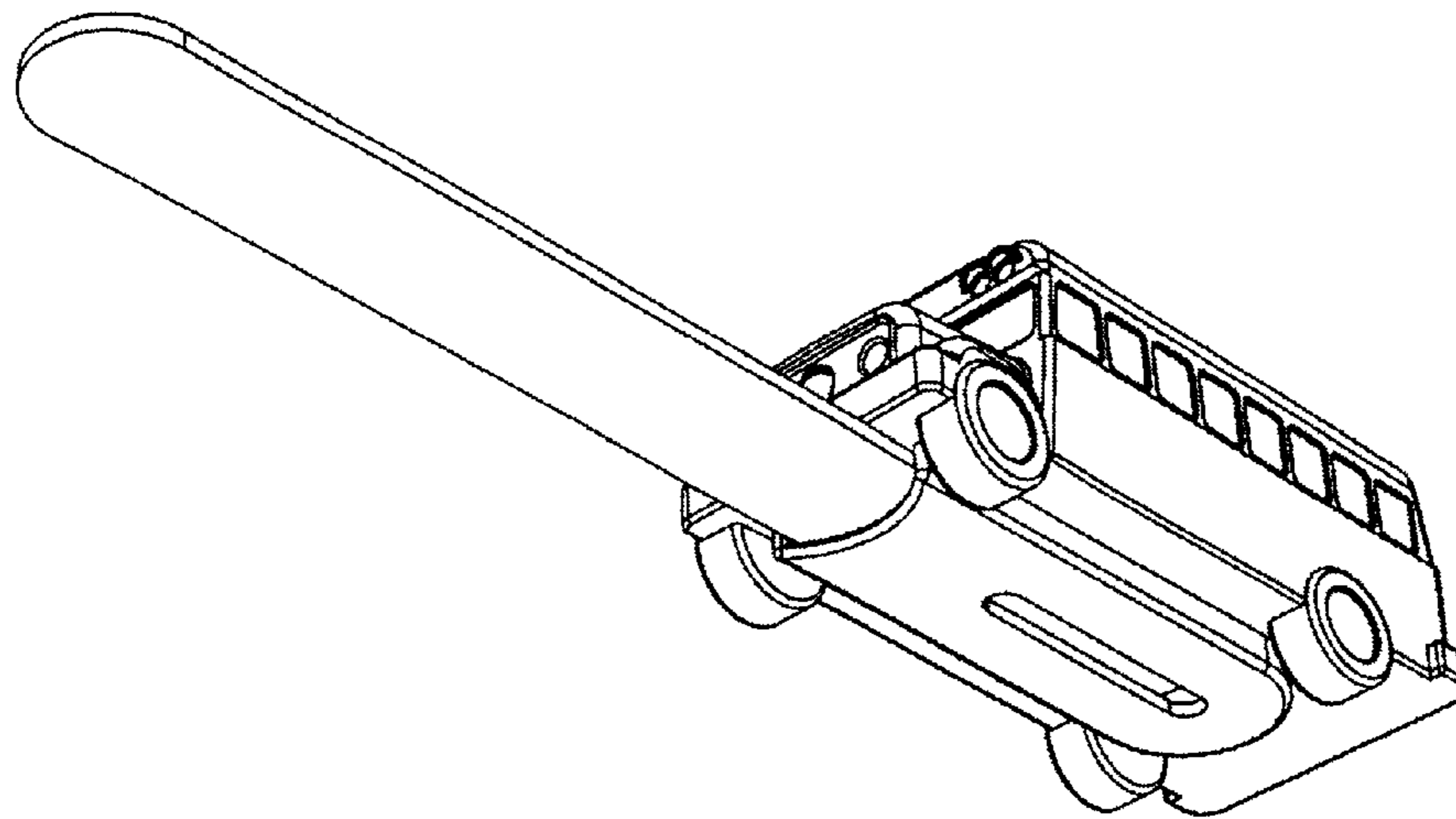


Figure 10

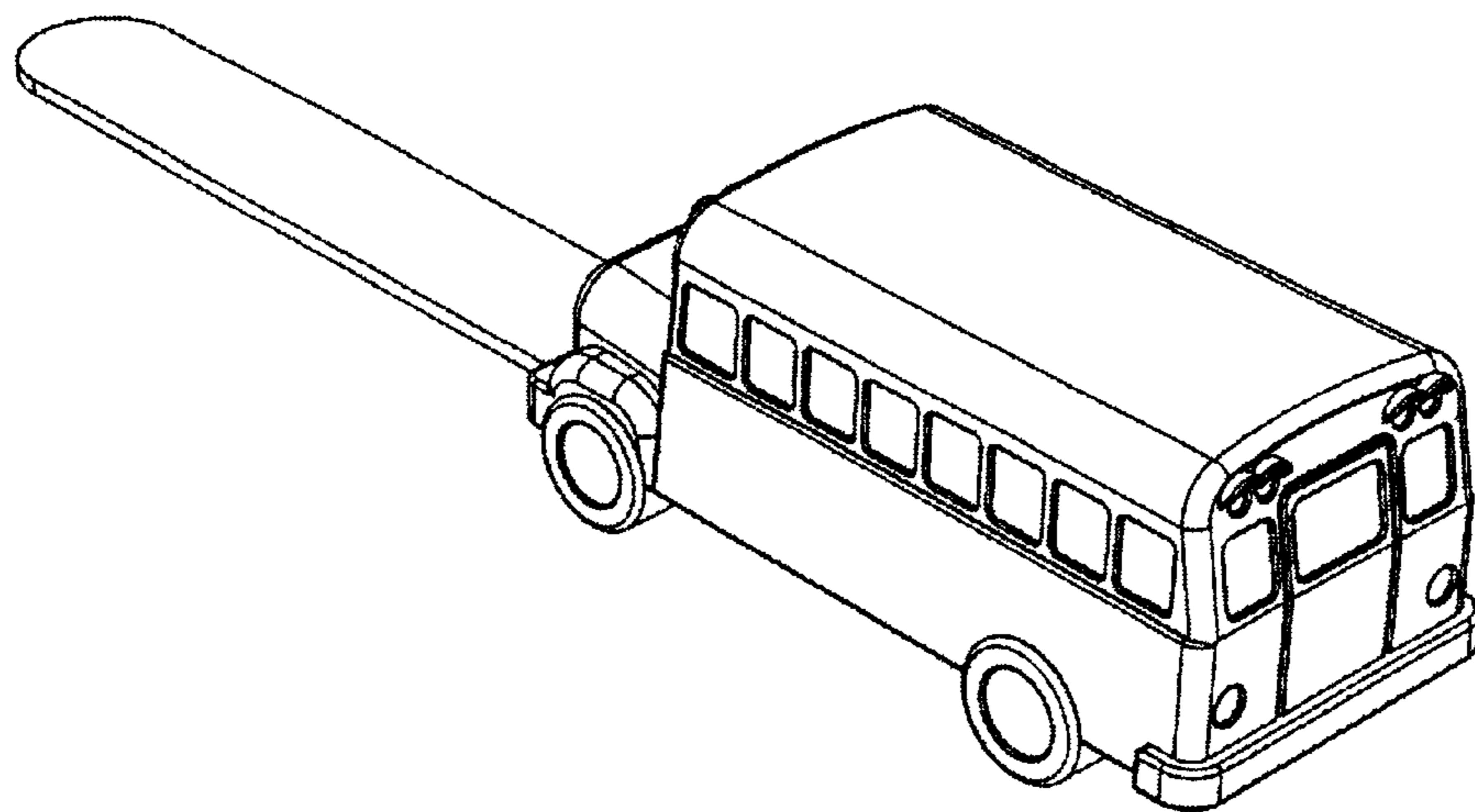


Figure 11

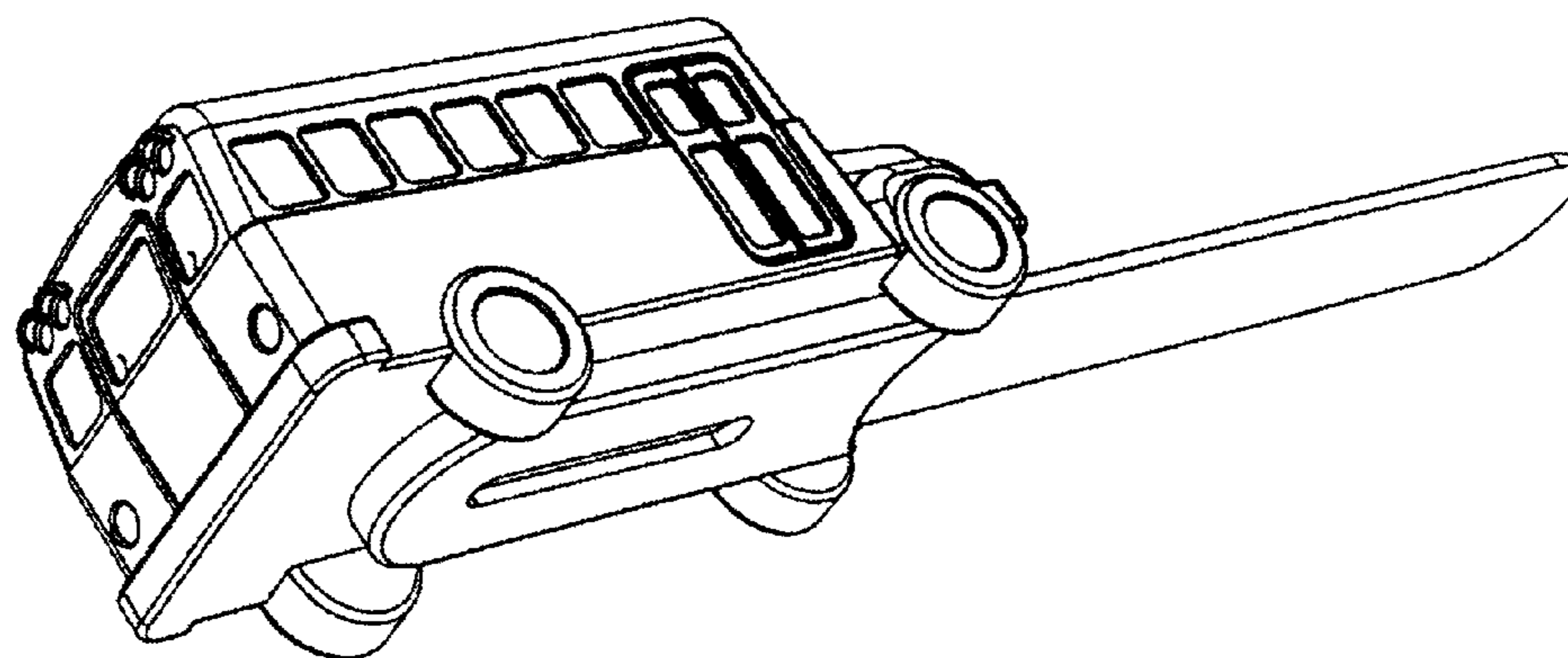


Figure 12