



US00D538422S

(12) **United States Design Patent**
Hooijmaaijers

(10) **Patent No.:** **US D538,422 S**

(45) **Date of Patent:** **** Mar. 13, 2007**

(54) **VENTILATION GRIDS**

(75) **Inventor:** **Antonius Johannes Cornelis Hooijmaaijers, Oosterhout (NL)**

(73) **Assignee:** **RDW Beheer B.V., Oosterhout (NL)**

(**) **Term:** **14 Years**

(21) **Appl. No.:** **29/210,786**

(22) **Filed:** **Aug. 5, 2004**

(30) **Foreign Application Priority Data**

Feb. 6, 2004 (EM) 134044
Jul. 8, 2004 (EM) 198643

(51) **LOC (8) Cl.** **23-04**

(52) **U.S. Cl.** **D23/387**

(58) **Field of Classification Search** D23/387,
D23/390, 392-393; 454/271, 309; 52/198-199;
D26/72, 80-92; 362/147-150

See application file for complete search history.

(56) **References Cited**

U.S. PATENT DOCUMENTS

2,021,086 A * 11/1935 Oskamp D23/390
D113,047 S * 1/1939 O'Day D23/390
D118,851 S * 2/1940 Demuth D23/390
D300,174 S * 3/1989 Waltz et al. D23/387

D309,348 S * 7/1990 Sarazen et al. D23/387
D341,443 S * 11/1993 Shapiro D26/88
D370,723 S * 6/1996 Nishizawa D23/387
D438,328 S * 2/2001 Pan D26/88

* cited by examiner

Primary Examiner—Catherine R. Oliver

(74) *Attorney, Agent, or Firm*—The Webb Law Firm

(57) **CLAIM**

The ornamental design for ventilation grids, as shown.

DESCRIPTION

FIG. 1 is a perspective view of a first embodiment of a ventilation grid in accordance with the present invention;

FIG. 2 is a bottom view thereof;

FIG. 3 is a top view thereof;

FIG. 4 is a side view thereof;

FIG. 5 is a perspective view of a second embodiment of a ventilation grid in accordance with the present invention;

FIG. 6 is a bottom view thereof;

FIG. 7 is a top view thereof;

FIG. 8 is a side view thereof;

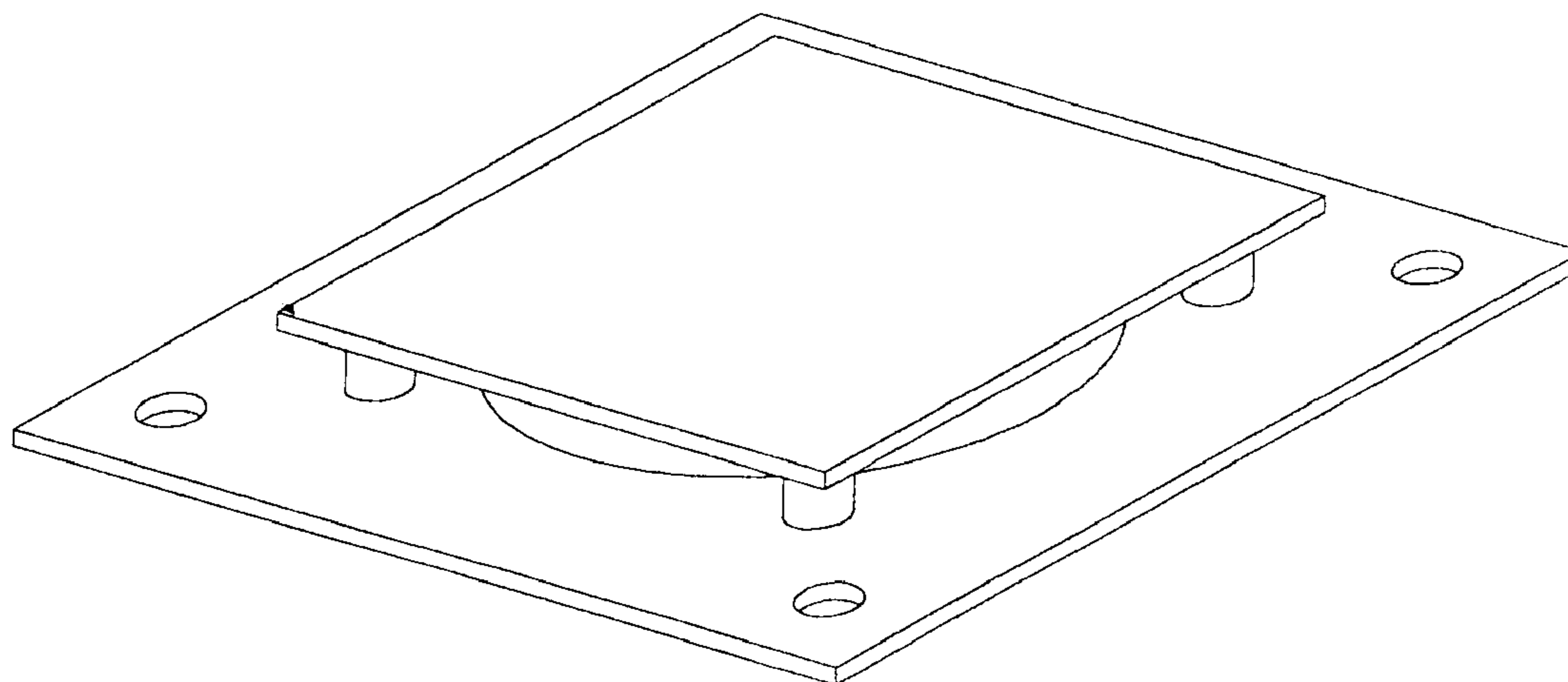
FIG. 9 is a perspective view of a third embodiment of a ventilation grid in accordance with the present invention;

FIG. 10 is a top view thereof;

FIG. 11 is a bottom view thereof; and,

FIG. 12 is a side view thereof.

1 Claim, 6 Drawing Sheets



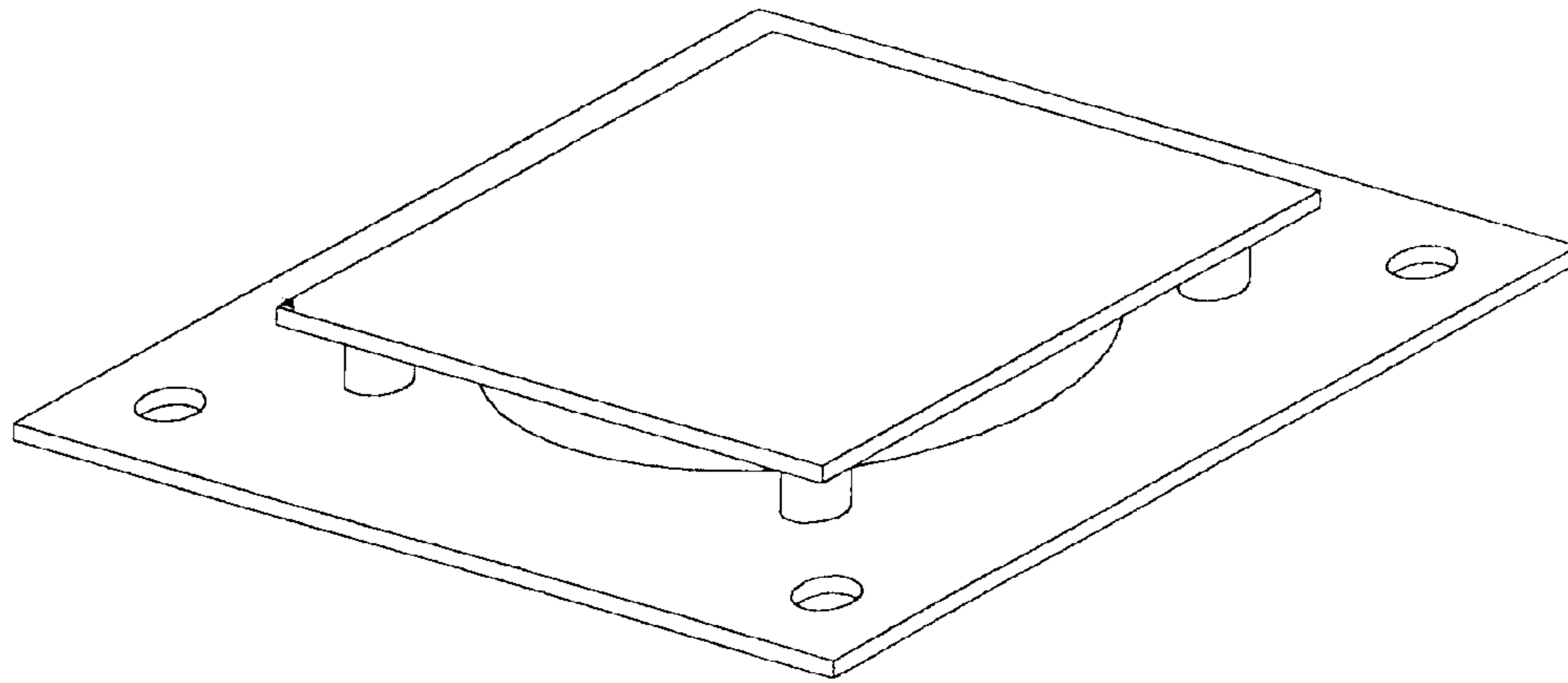


Figure 1

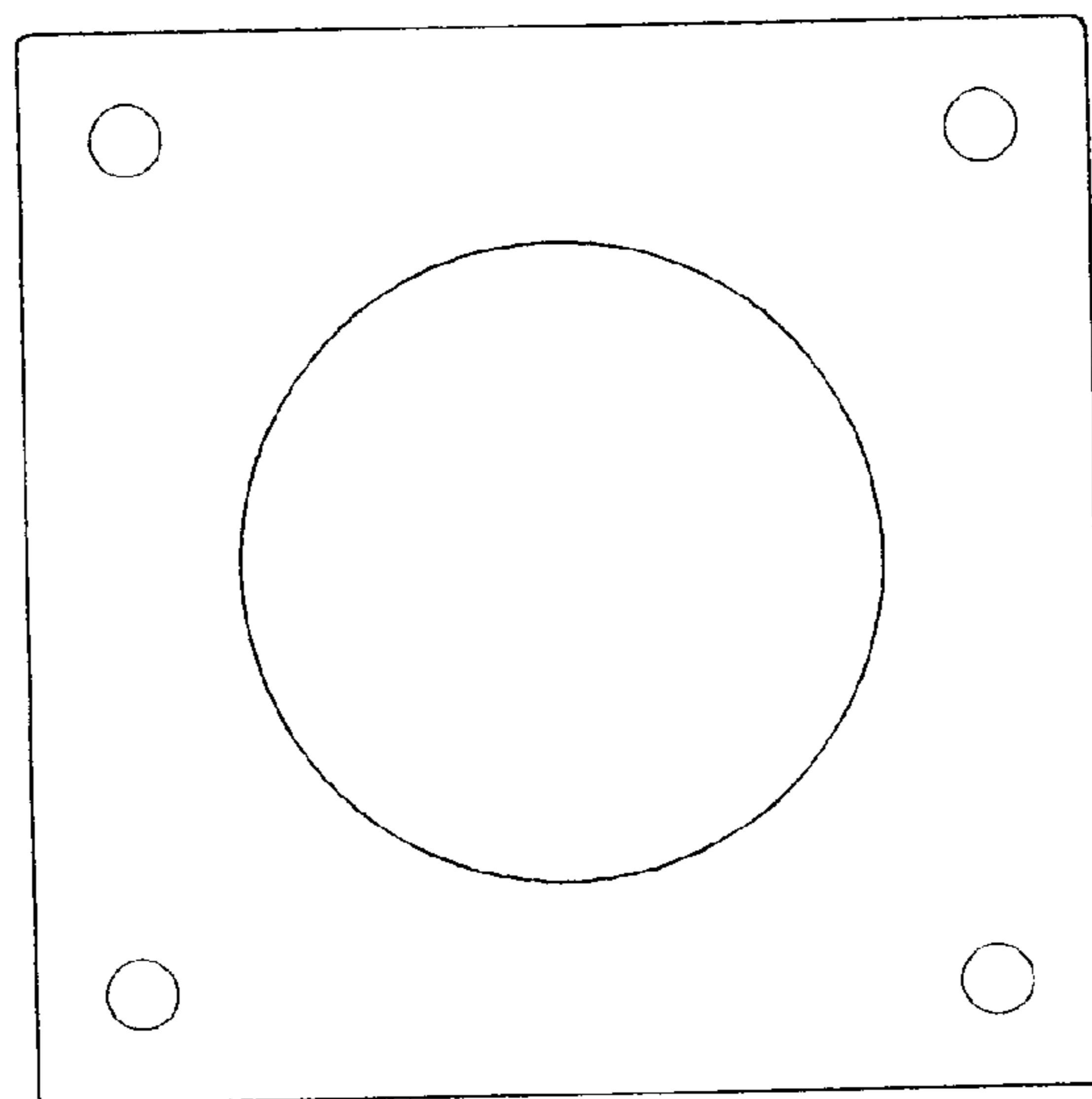


Figure 2

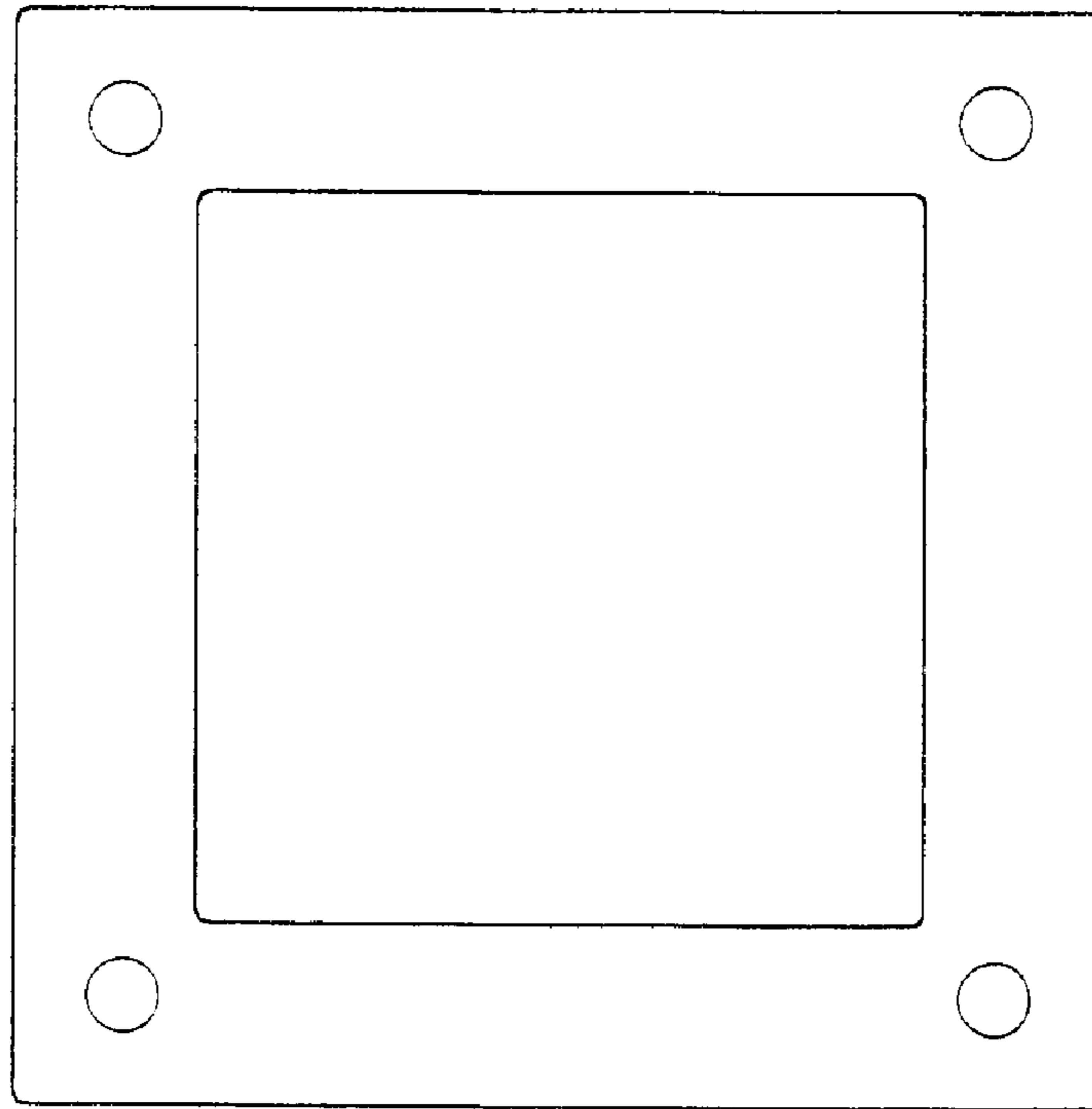


Figure 3

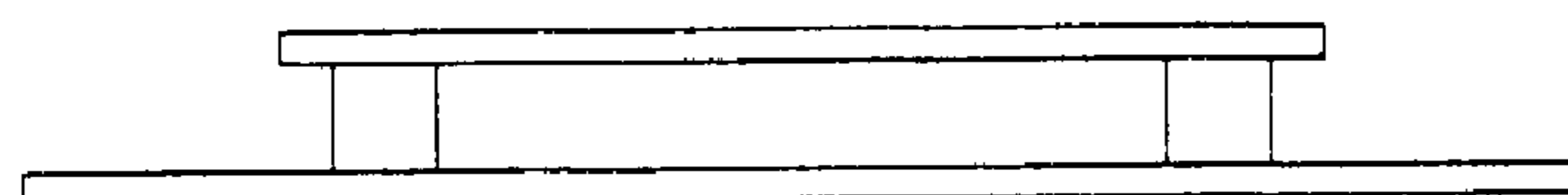


Figure 4

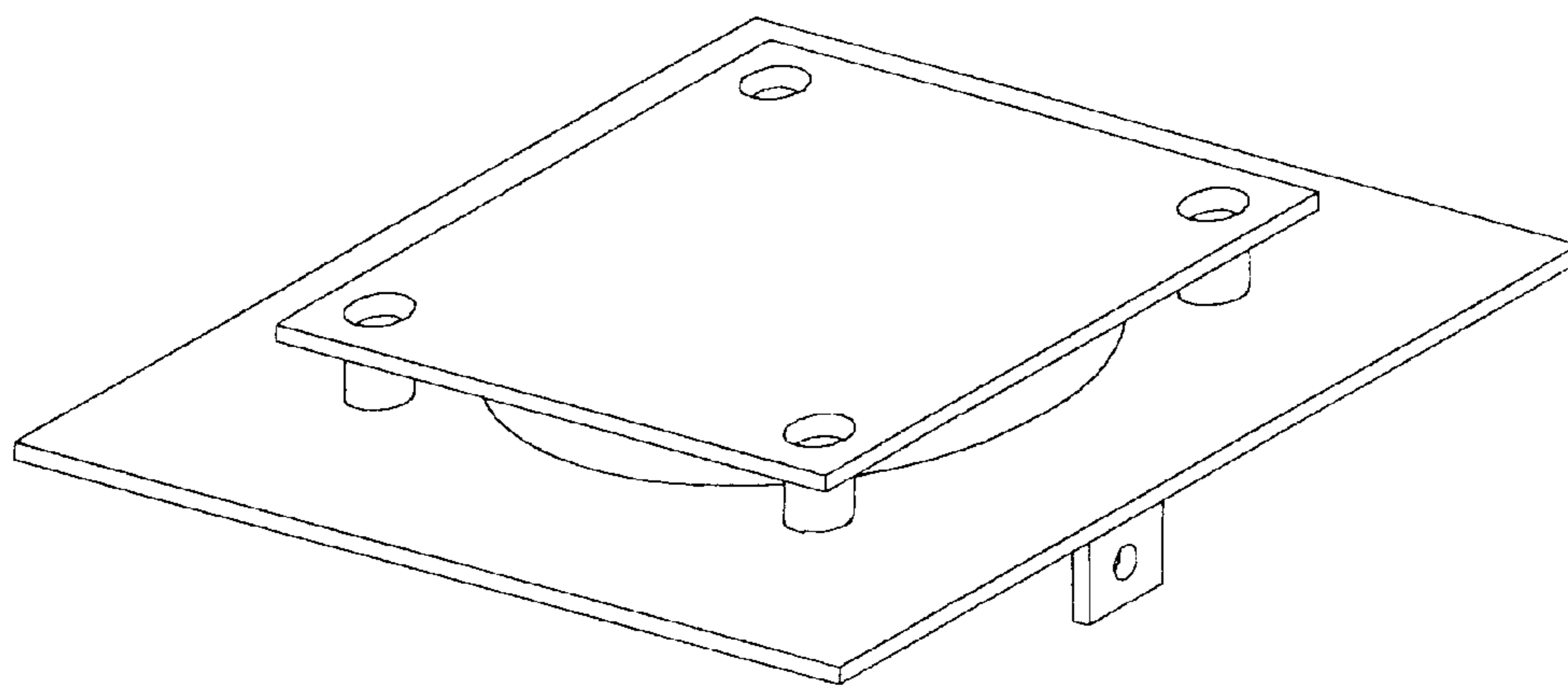


Figure 5

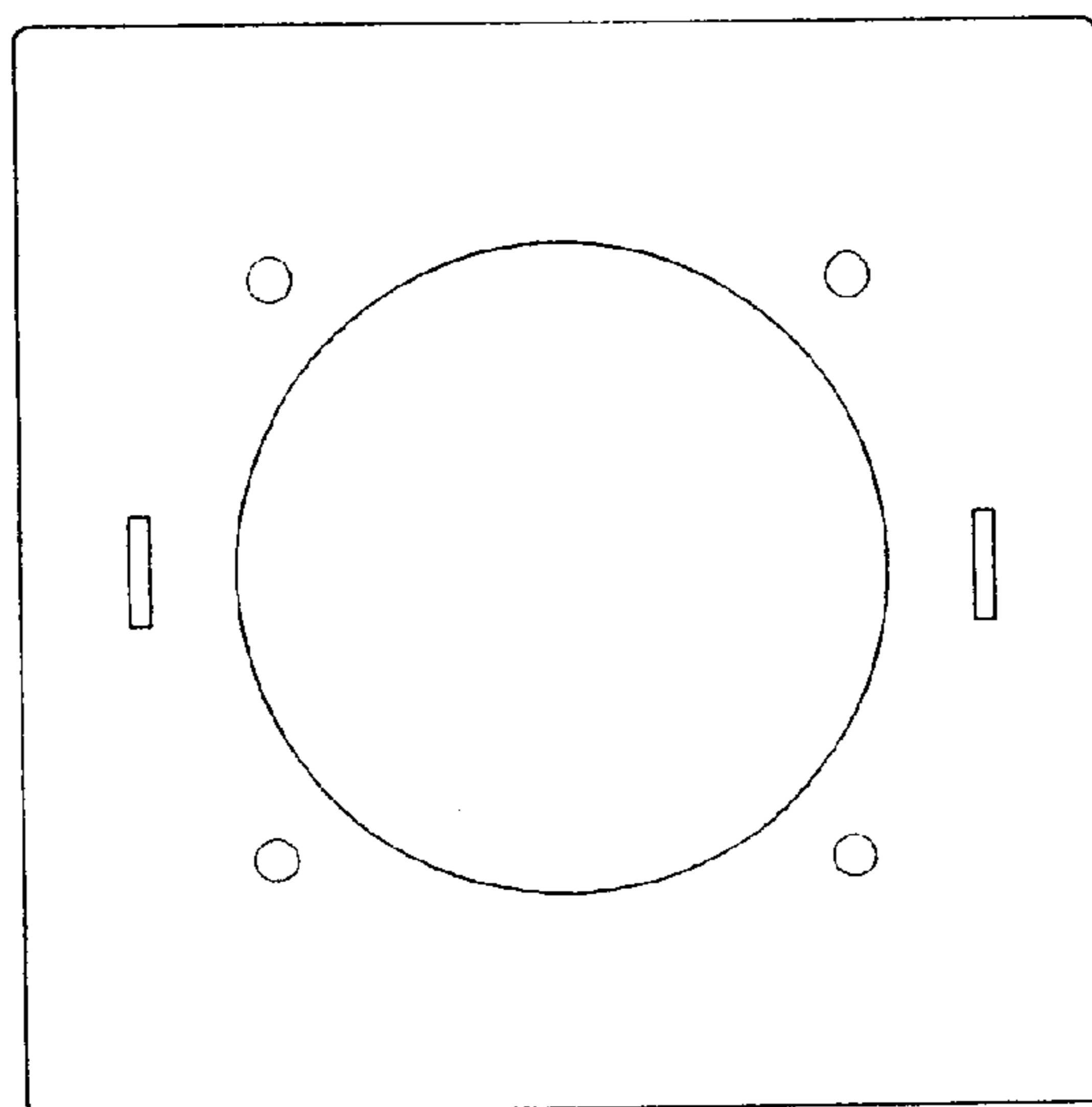


Figure 6

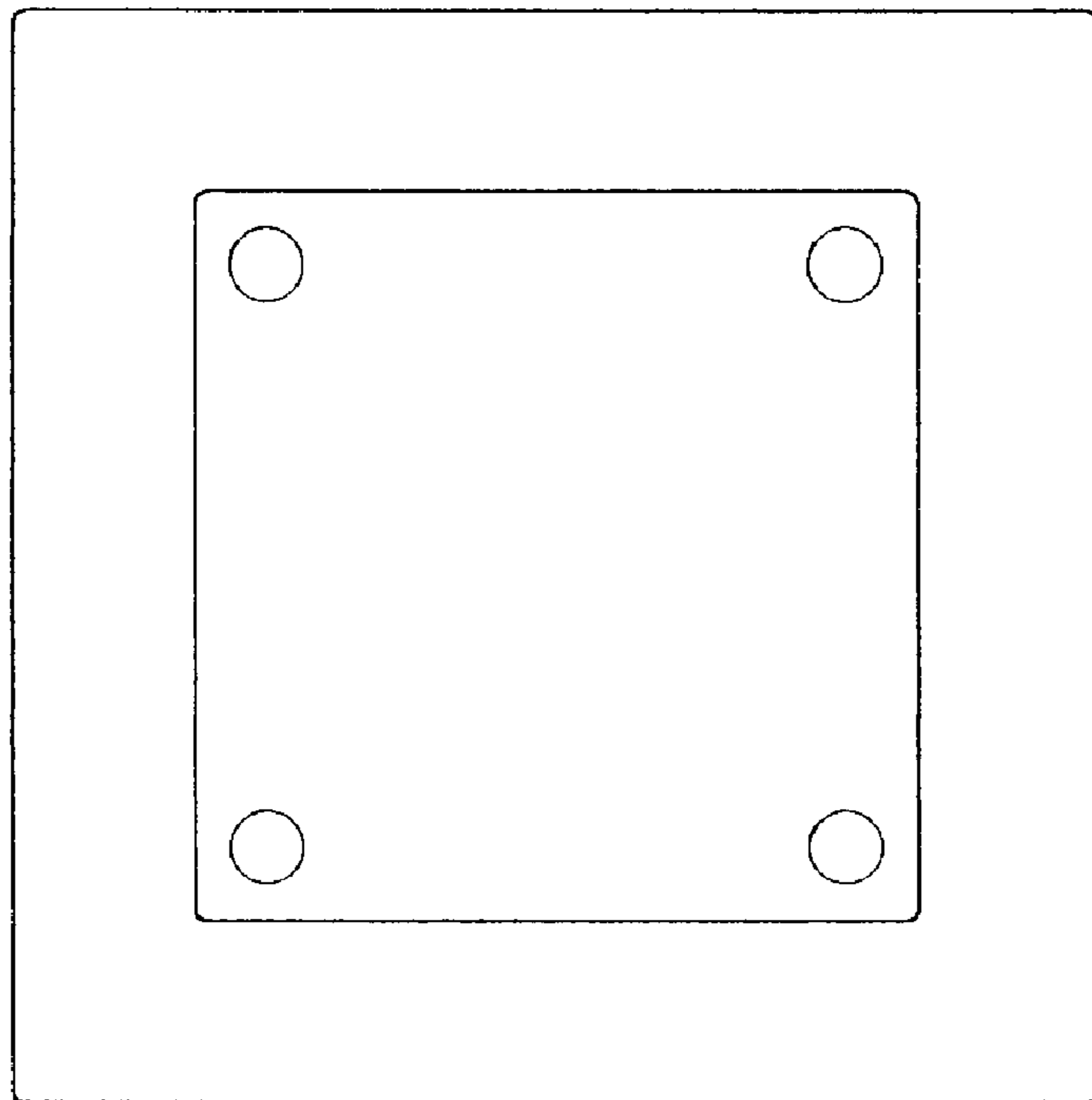


Figure 7

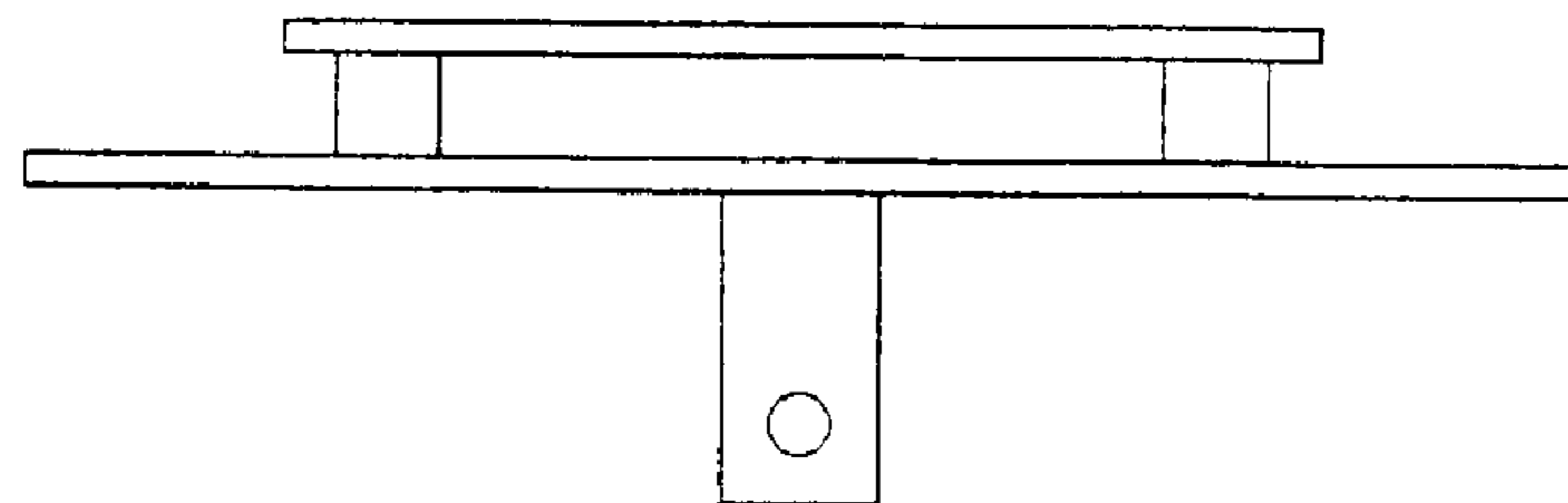


Figure 8

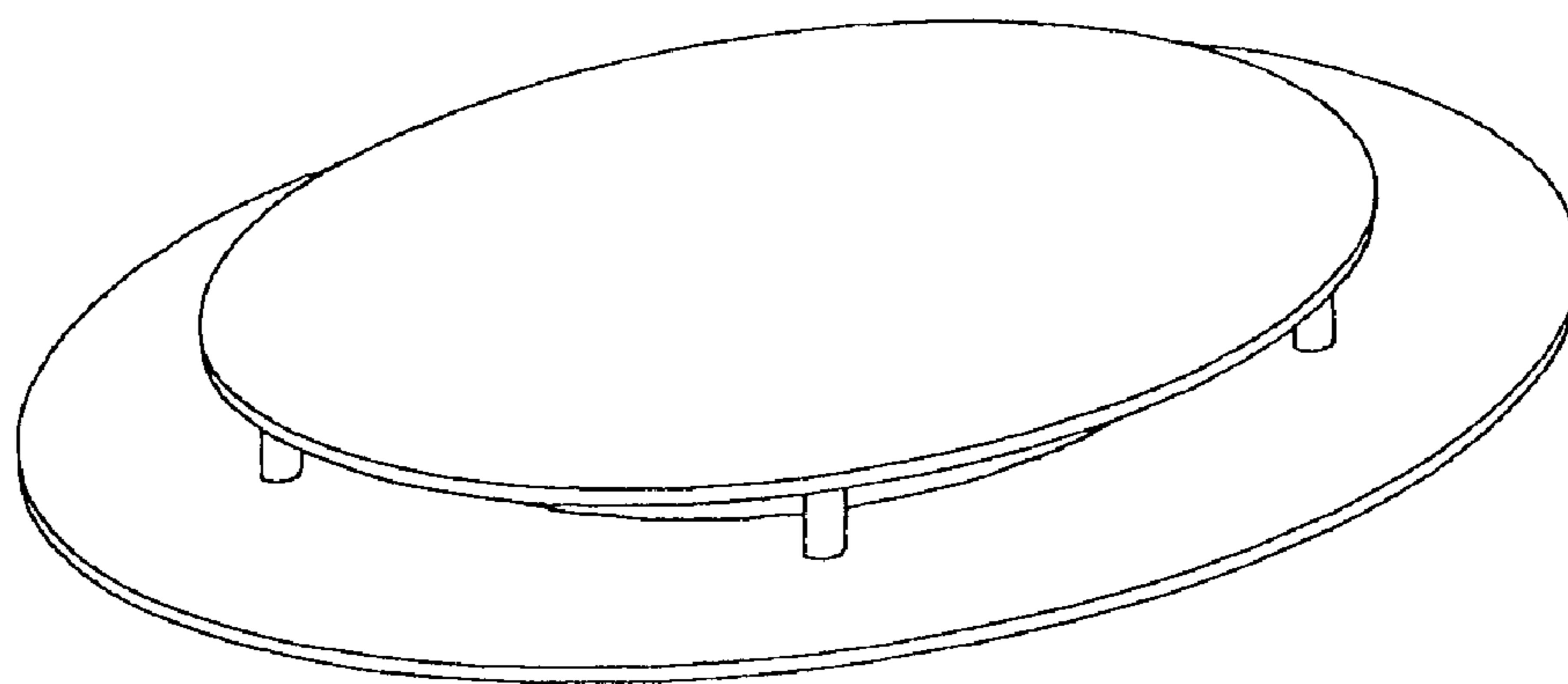


Figure 9

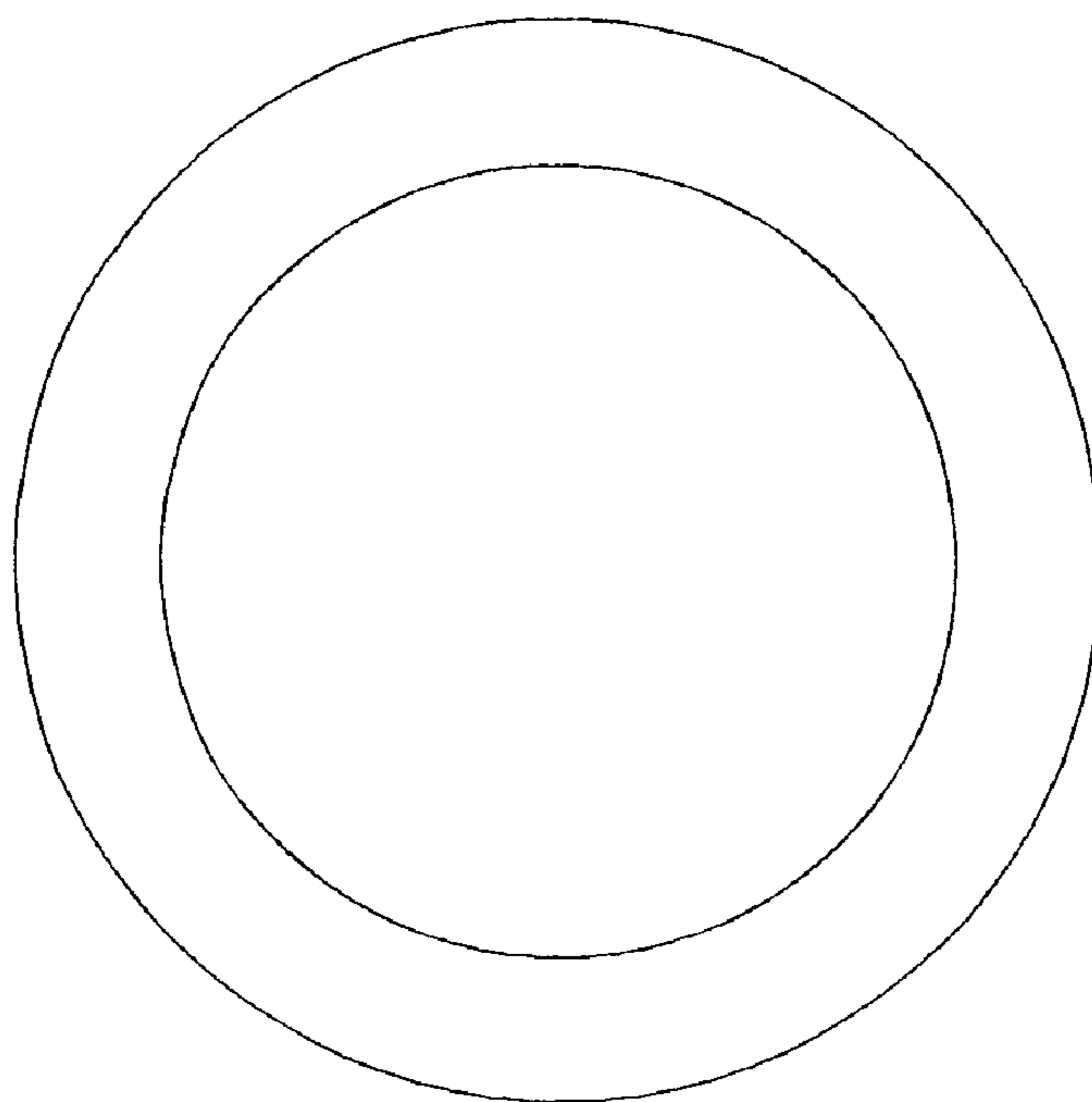


Figure 10

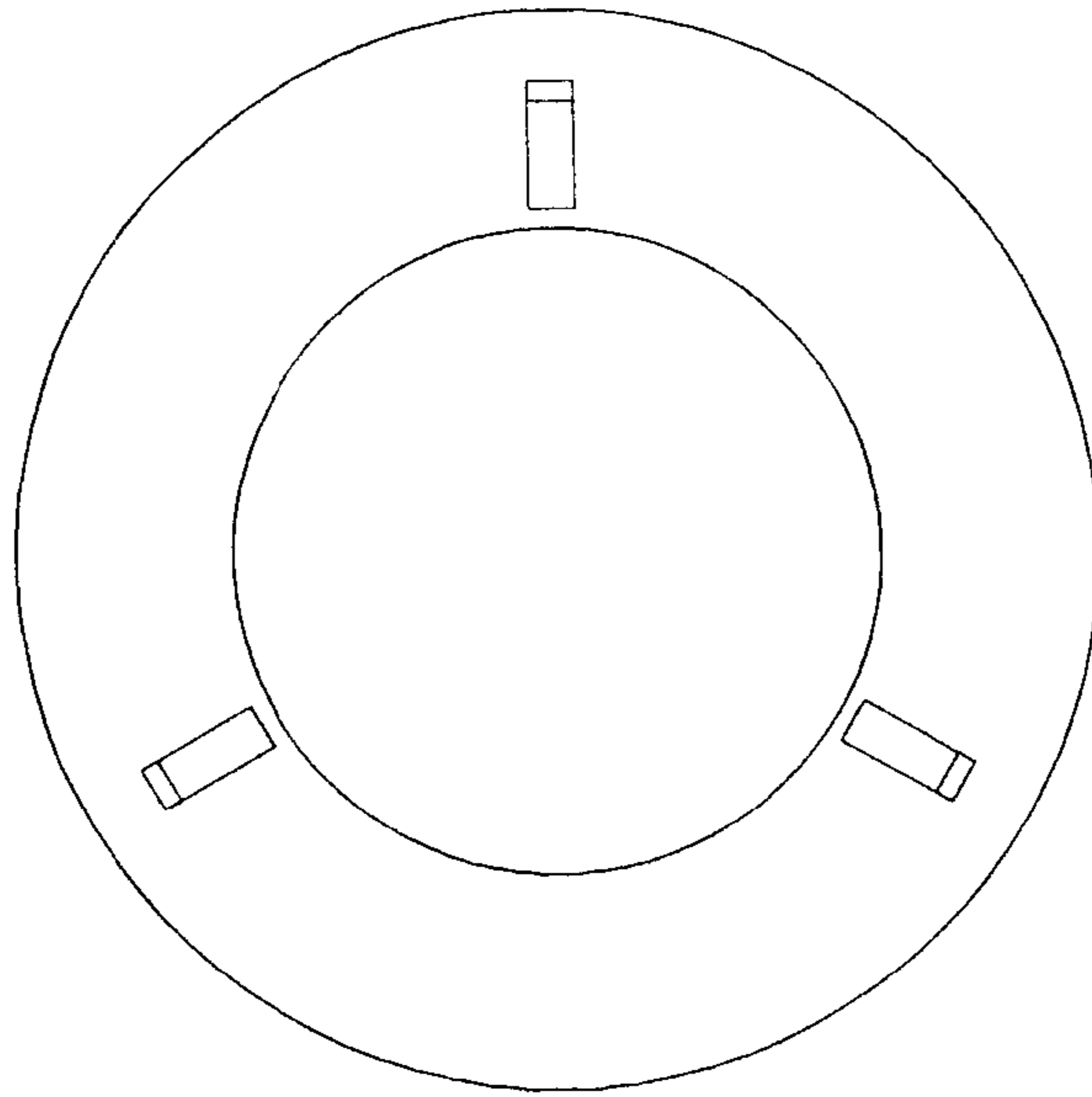


Figure 11

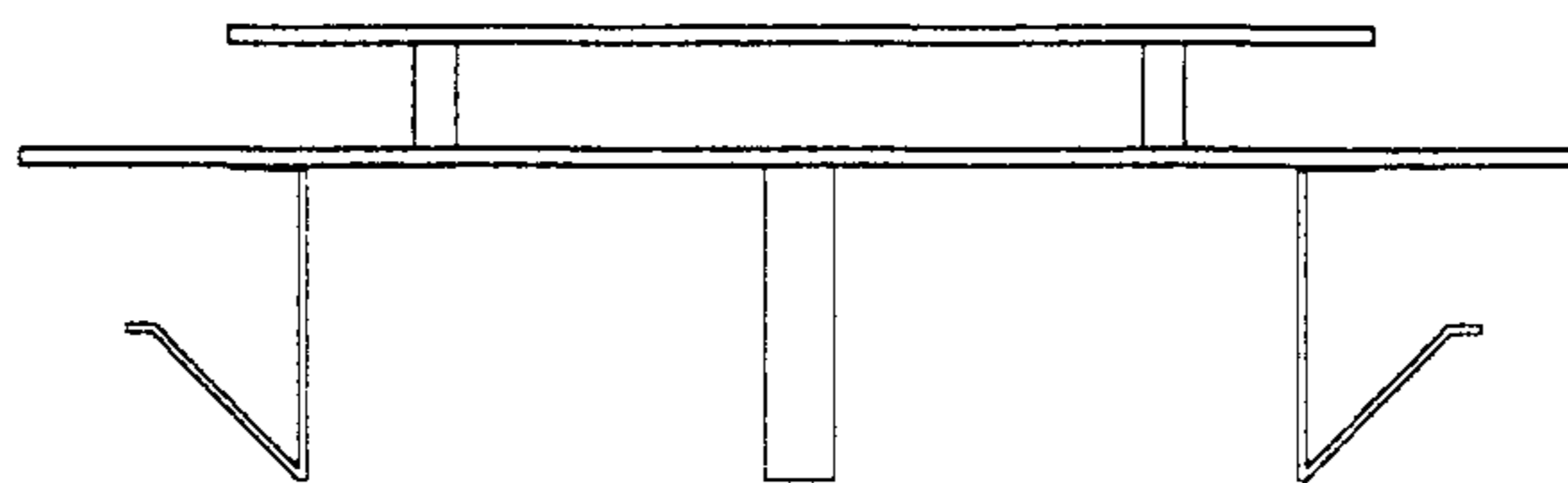


Figure 12