



US00D538416S

(12) **United States Design Patent**  
**Ediger et al.**

(10) **Patent No.:** **US D538,416 S**

(45) **Date of Patent:** **\*\* Mar. 13, 2007**

(54) **HEATER**

(75) Inventors: **Glen W. Ediger**, North Newton, KS  
(US); **Matthew L. Rice**, Derby, KS  
(US)

(73) Assignee: **Vornado Air Circulation Systems, Inc.**, Andover, KS (US)

(\*\*) Term: **14 Years**

(21) Appl. No.: **29/255,710**

(22) Filed: **Mar. 10, 2006**

(51) **LOC (8) Cl.** ..... **23-02**

(52) **U.S. Cl.** ..... **D23/335**

(58) **Field of Classification Search** ..... D23/332,  
D23/314, 335-338, 340-345, 349-350; 392/360,  
392/365-369, 373-376; 312/326; 126/110 B,  
126/90 A, 92 A

See application file for complete search history.

(56) **References Cited**

**U.S. PATENT DOCUMENTS**

D467,324 S	*	12/2002	Ching	.....	D23/335
D467,326 S	*	12/2002	Shapiro	.....	D23/336
D471,969 S	*	3/2003	Krauss	.....	D23/337

D483,102 S	*	12/2003	Ching	.....	D23/335
D499,472 S	*	12/2004	Ching	.....	D23/332
D502,767 S	*	3/2005	Blateri	.....	D23/336
D513,430 S	*	1/2006	Blateri	.....	D23/335
D515,677 S	*	2/2006	Blateri	.....	D23/335
D516,688 S	*	3/2006	Blateri	.....	D23/335
D519,194 S	*	4/2006	Blateri	.....	D23/335

\* cited by examiner

*Primary Examiner*—Brian N Vinson

(74) *Attorney, Agent, or Firm*—Stinson Morrison Hecker LLP

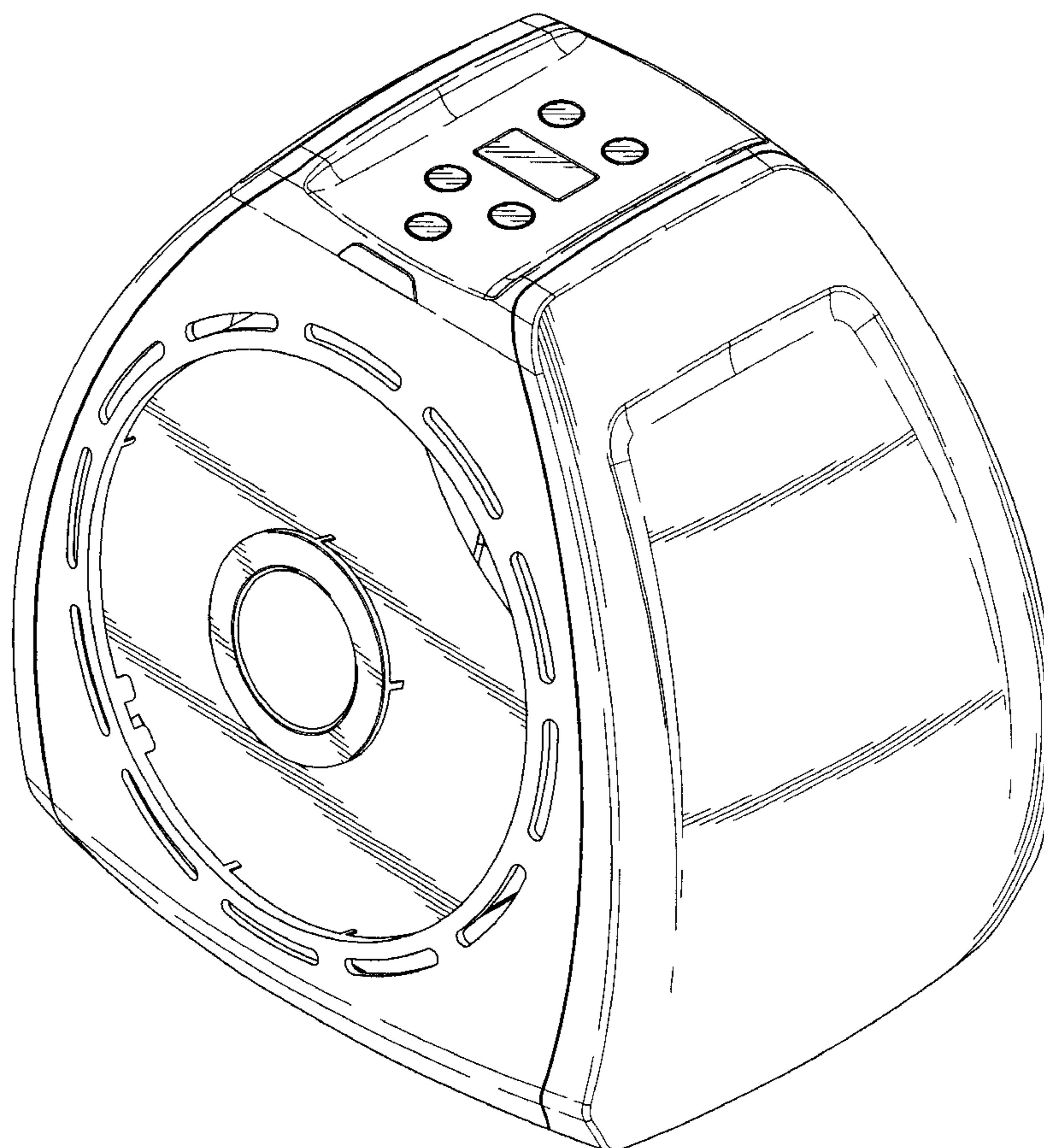
(57) **CLAIM**

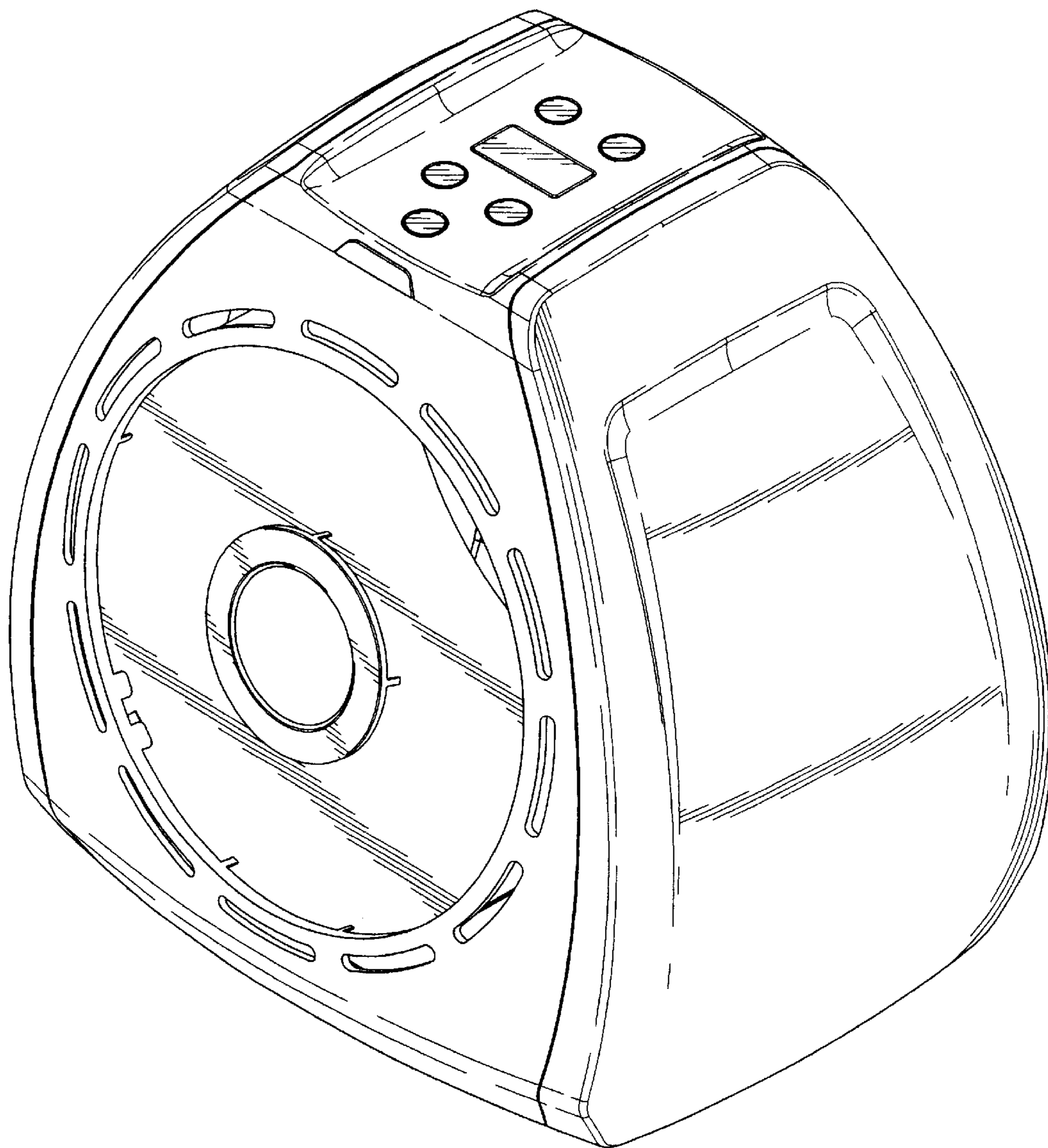
The ornamental design for a heater, as shown and described.

**DESCRIPTION**

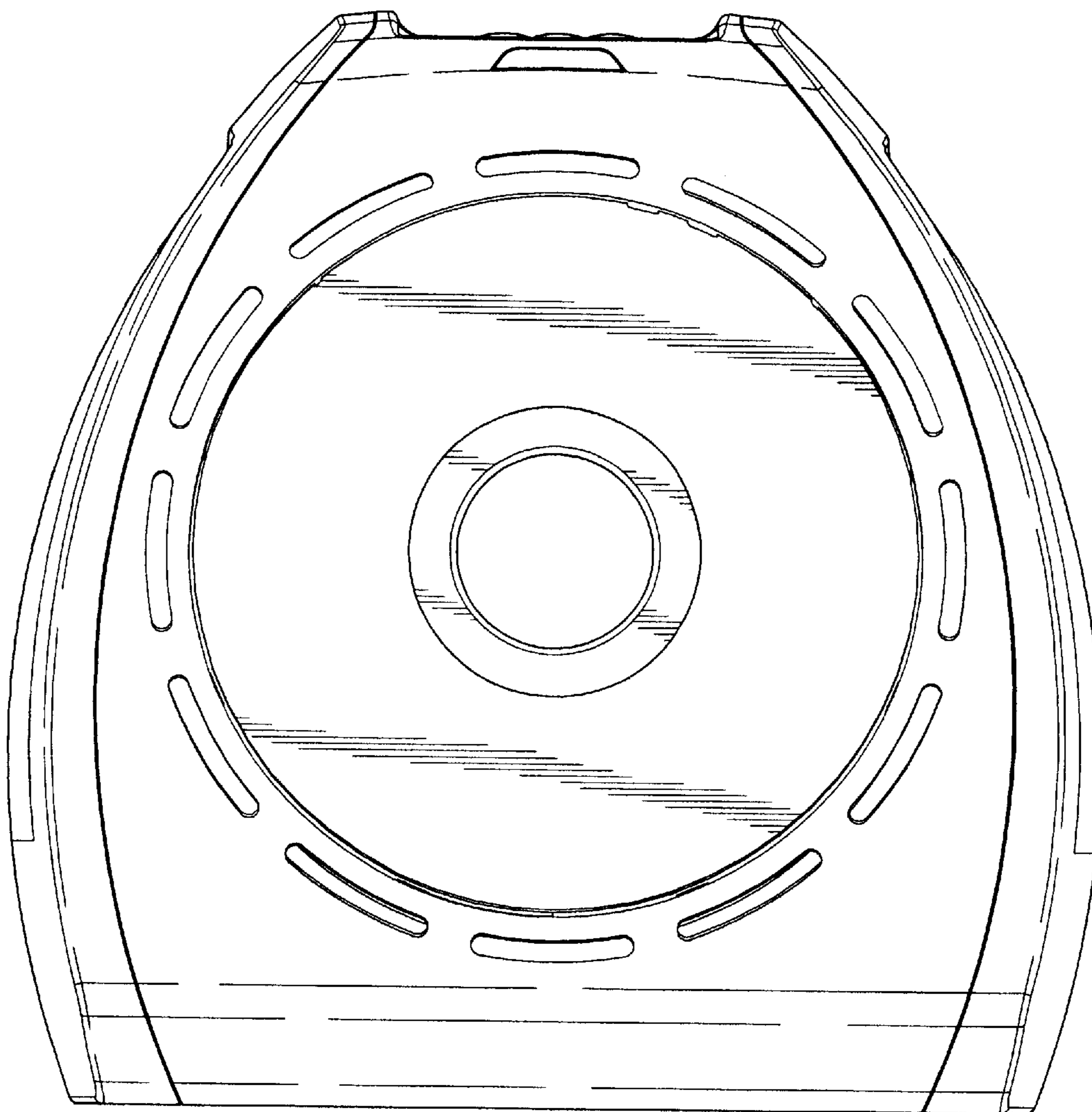
FIG. 1 is a perspective front view of the heater in accordance with the design of the present invention;  
FIG. 2 is a front elevational view of the heater of FIG. 1;  
FIG. 3 is a rear elevational view of the heater of FIG. 1;  
FIG. 4 is a top plan view of the heater of FIG. 1;  
FIG. 5 is bottom plan view of the heater of FIG. 1;  
FIG. 6 is a right-side elevational view of the heater of FIG. 1; and,  
FIG. 7 is a left-side elevational view of the heater of FIG. 1.

**1 Claim, 5 Drawing Sheets**

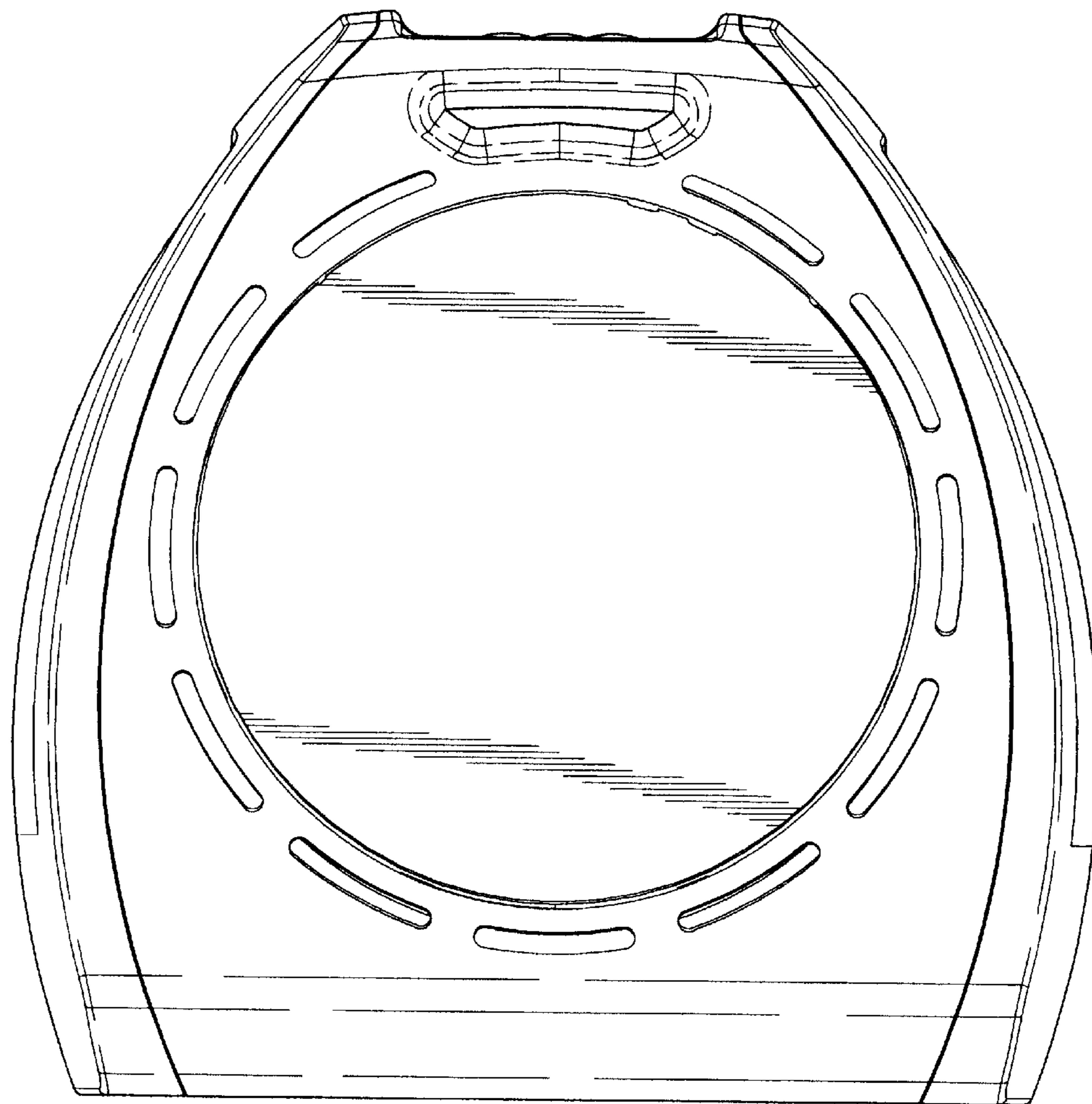




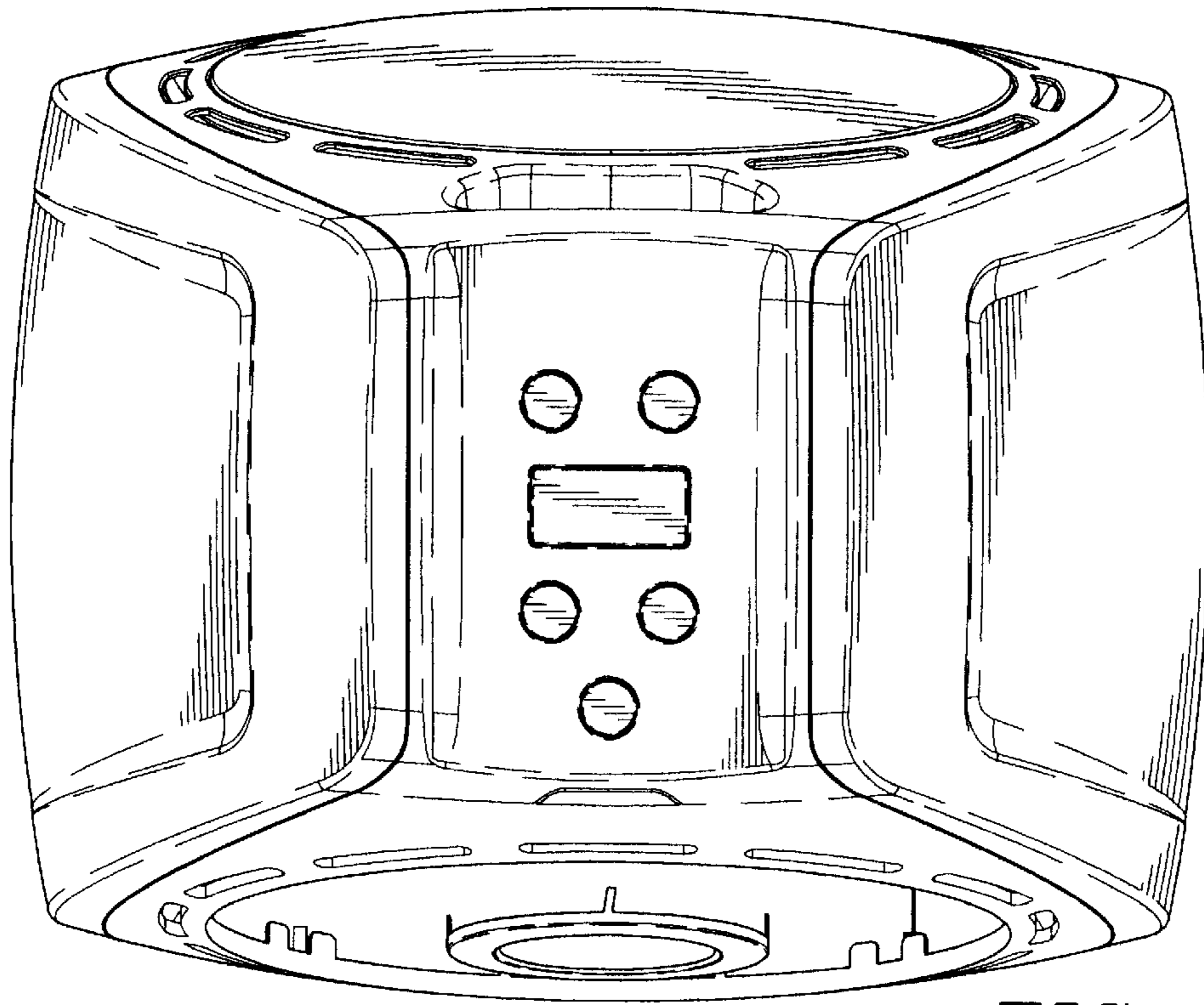
*FIG. 1*



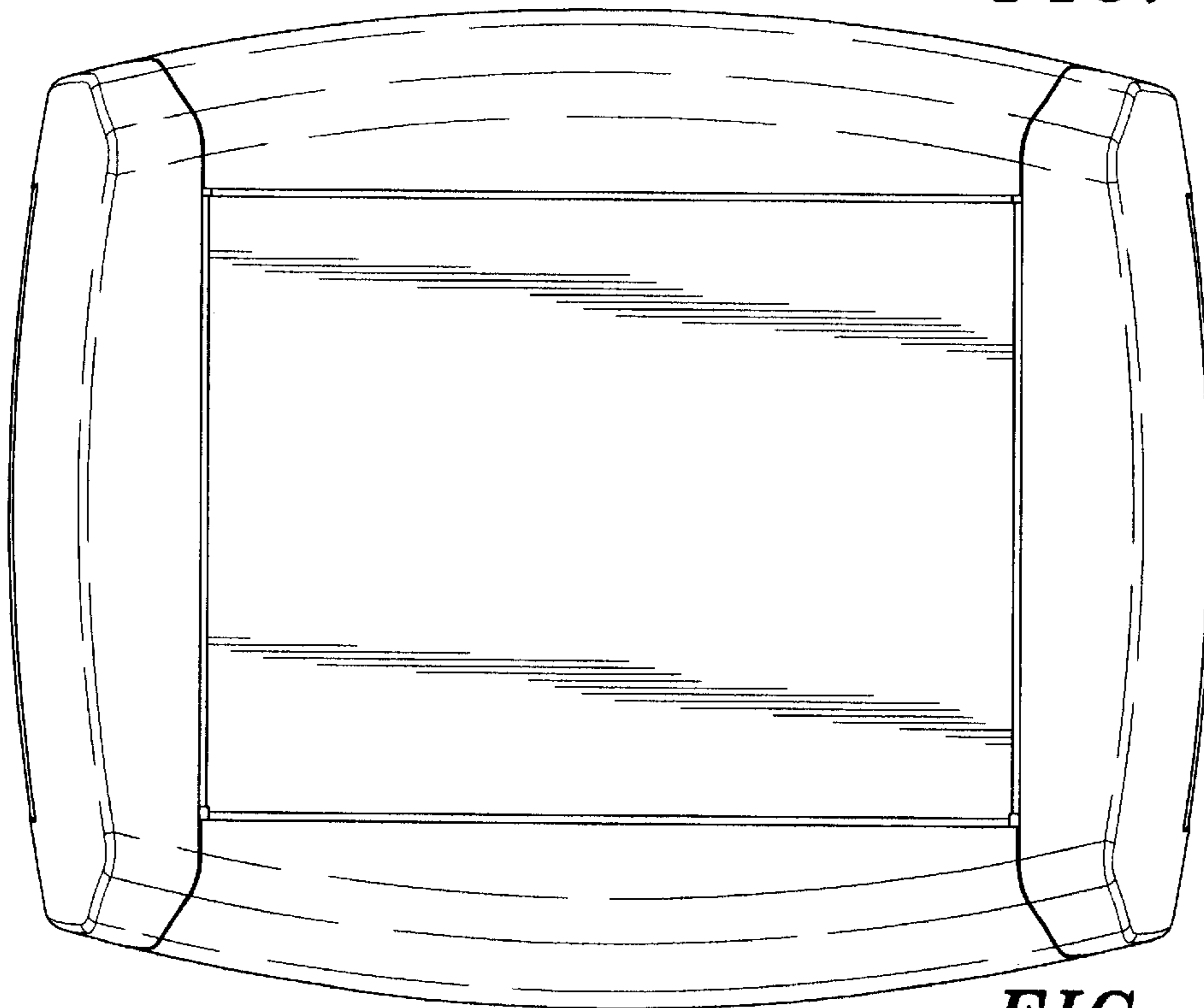
*FIG. 2*



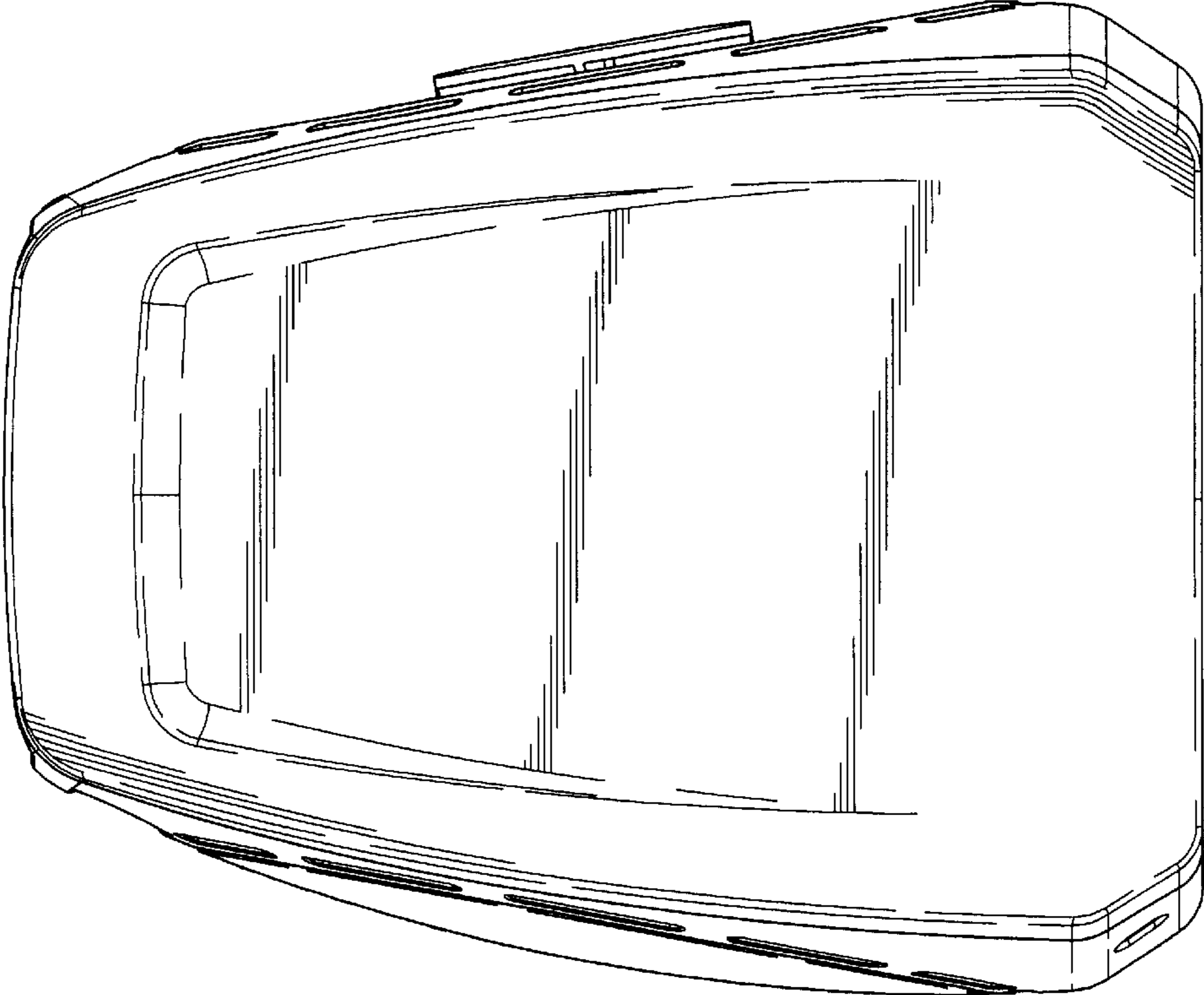
**FIG. 3**



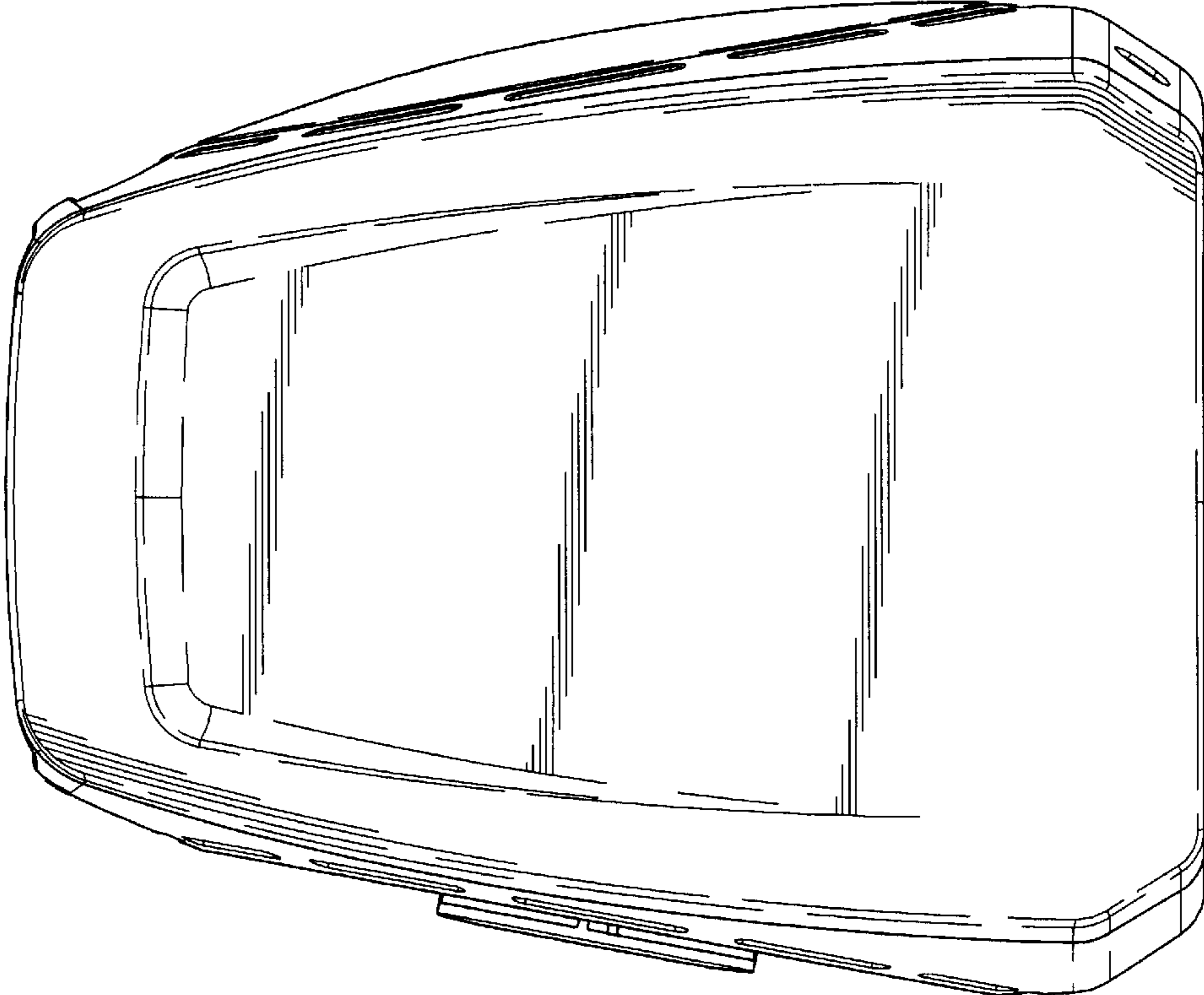
*FIG. 4*



*FIG. 5*



*FIG. 7*



*FIG. 6*