

US00D538415S

(12) **United States Design Patent**
Ching

(10) **Patent No.:** **US D538,415 S**

(45) **Date of Patent:** **** Mar. 13, 2007**

(54) **CERAMIC ELECTRIC HEATER**

(75) Inventor: **Chan Ching**, Taipei Hsien (TW)

(73) Assignee: **Perfect Union Co., Ltd.**, Taipei Hsien (TW)

(**) Term: **14 Years**

(21) Appl. No.: **29/224,435**

(22) Filed: **Mar. 3, 2005**

(51) **LOC (8) Cl.** **23-02**

(52) **U.S. Cl.** **D23/335**

(58) **Field of Classification Search** D23/332,
D23/314, 335-338, 340-345, 349-350; 392/360,
392/365-369, 373-376; 312/326; 126/110 B,
126/90 A, 92 A

See application file for complete search history.

(56) **References Cited**

U.S. PATENT DOCUMENTS

D467,324 S	*	12/2002	Ching	D23/335
D467,326 S	*	12/2002	Shapiro	D23/336
D471,969 S	*	3/2003	Krauss	D23/337
D483,102 S	*	12/2003	Ching	D23/335

D499,472 S	*	12/2004	Ching	D23/332
D502,767 S	*	3/2005	Blateri	D23/336
D513,430 S	*	1/2006	Blateri	D23/335
D515,677 S	*	2/2006	Blateri	D23/335
D516,688 S	*	3/2006	Blateri	D23/335
D519,194 S	*	4/2006	Blateri	D23/335

* cited by examiner

Primary Examiner—Brian N Vinson

(74) *Attorney, Agent, or Firm*—Troxell Law Office, PLLC

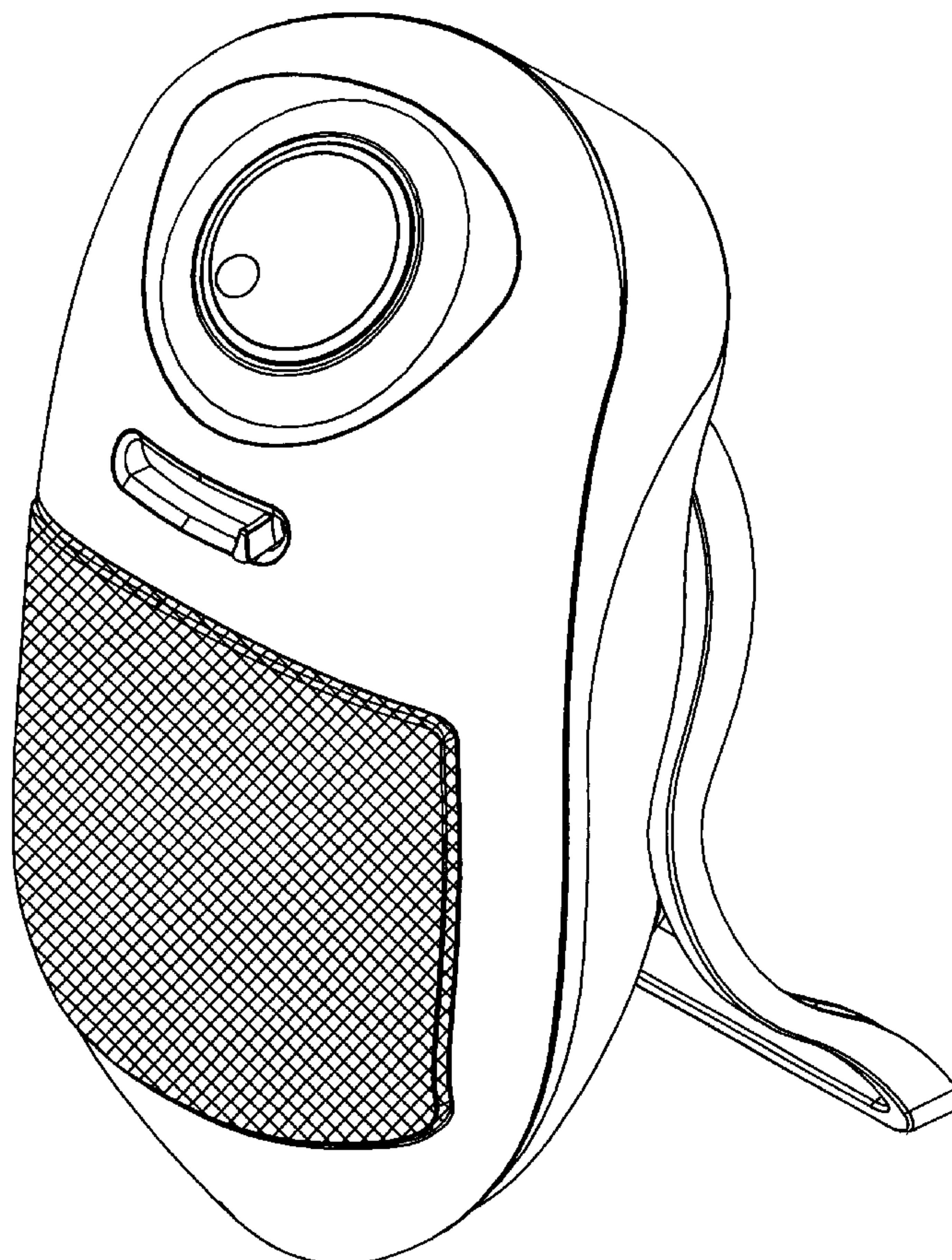
(57) **CLAIM**

The ornamental design for ceramic electric heater, as shown and described.

DESCRIPTION

FIG. 1 is a top front and left side perspective view of ceramic electric heater showing my new design; FIG. 2 is a front elevational view thereof; FIG. 3 is a rear elevational view thereof; FIG. 4 is a left side elevational view thereof; FIG. 5 is a right side elevational view thereof; FIG. 6 is a top plan view thereof; and, FIG. 7 is a bottom plan view thereof.

1 Claim, 6 Drawing Sheets



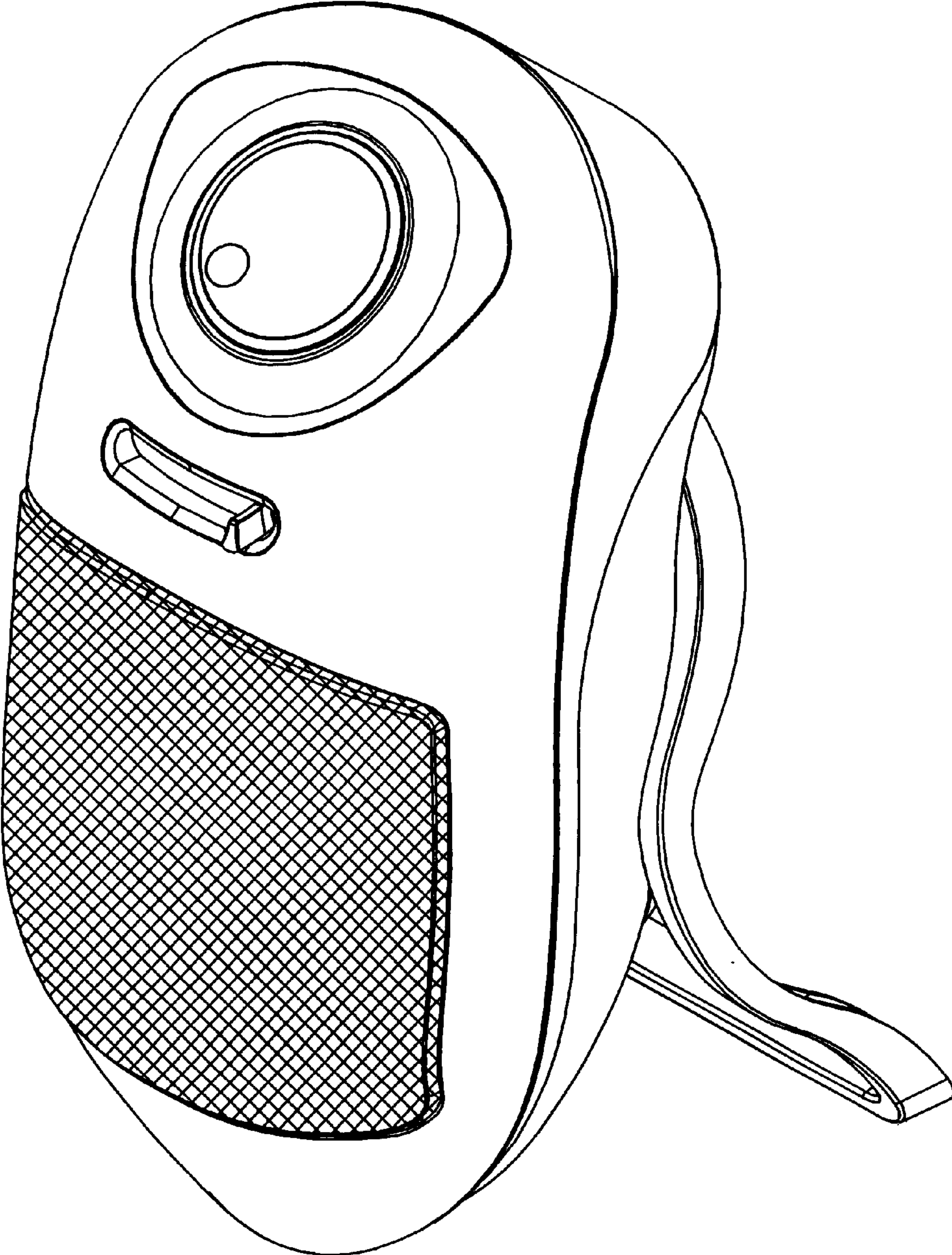


Fig. 1

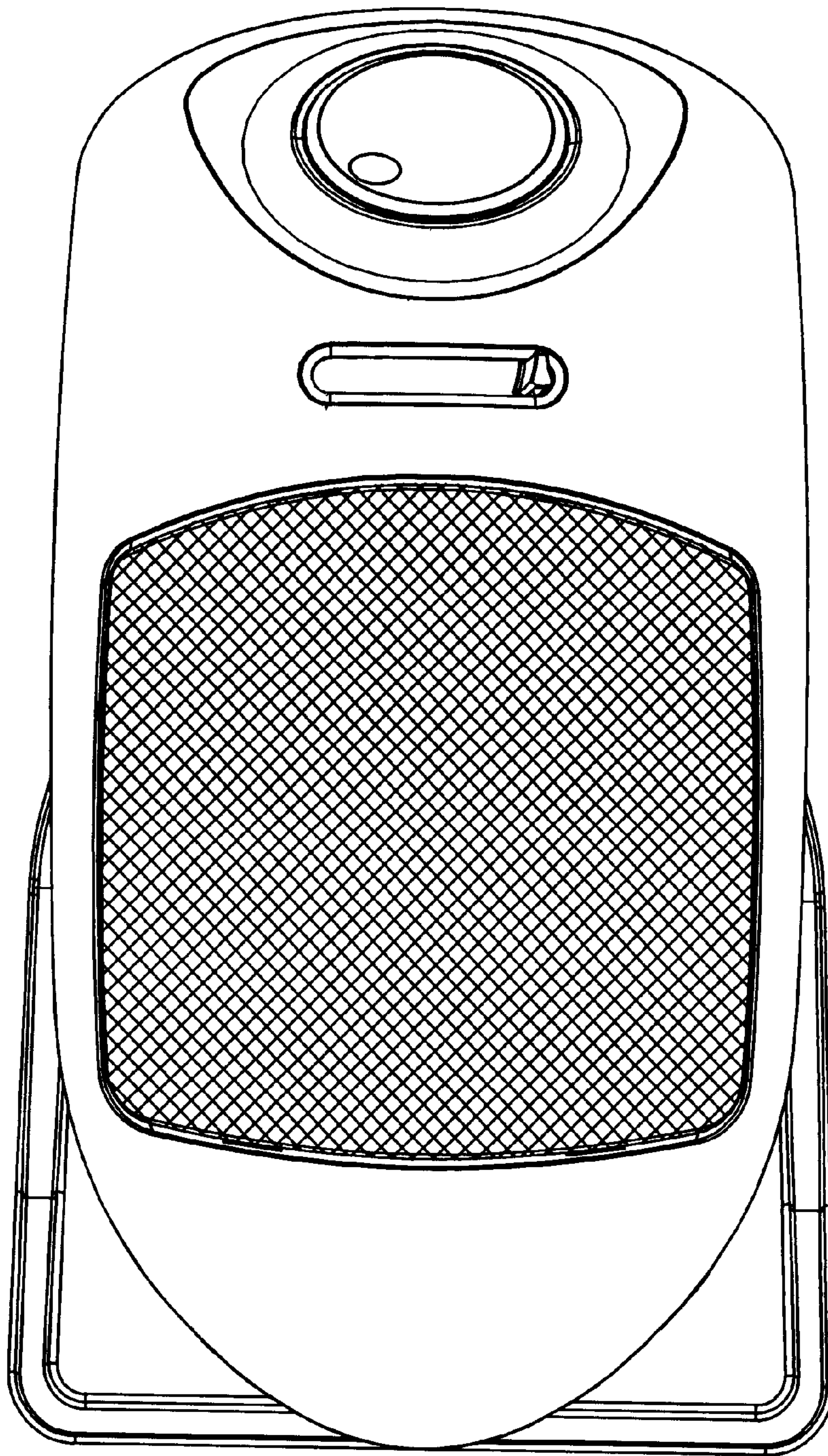


Fig. 2

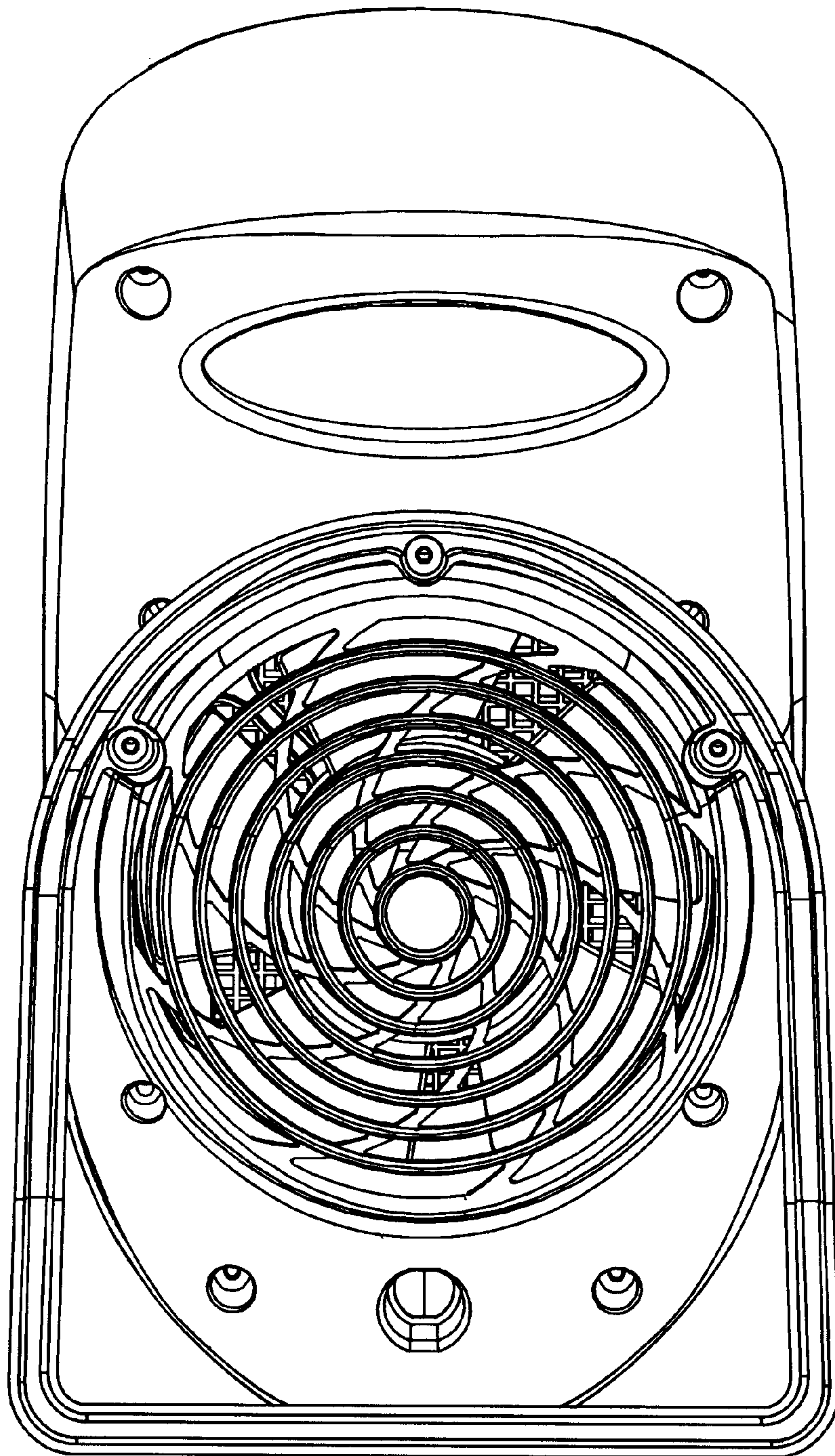


Fig. 3

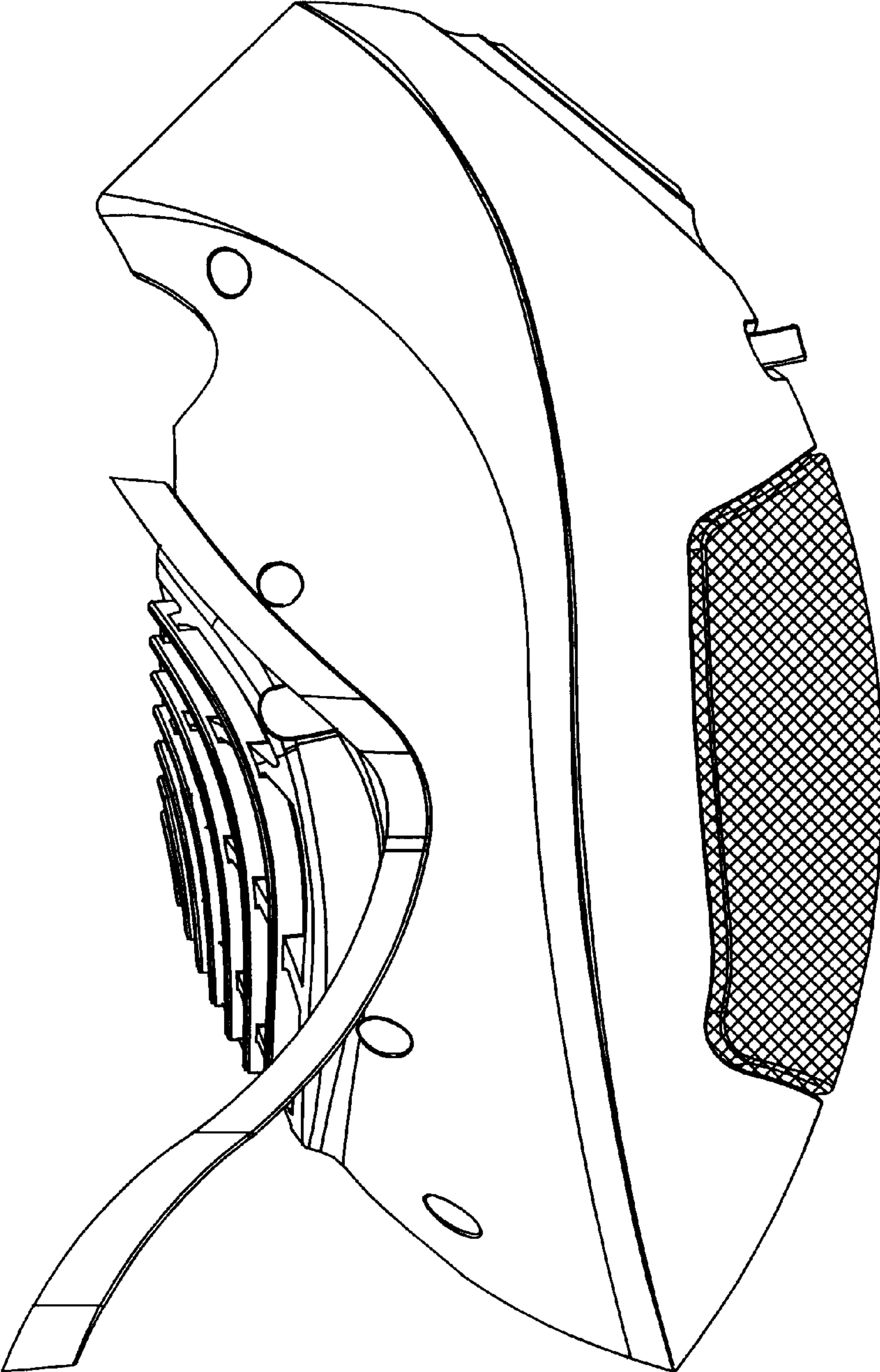


Fig. 4

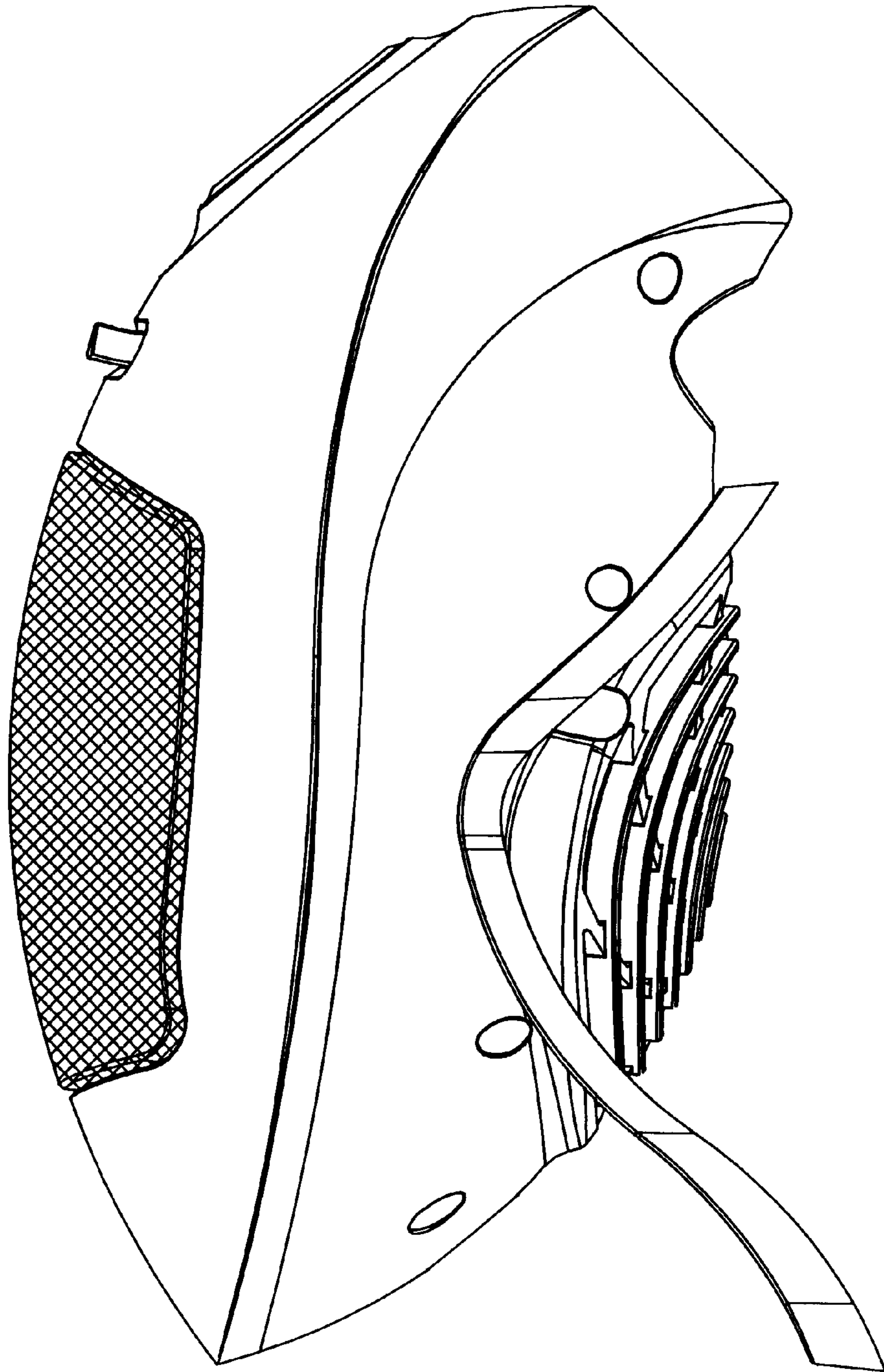


Fig. 5

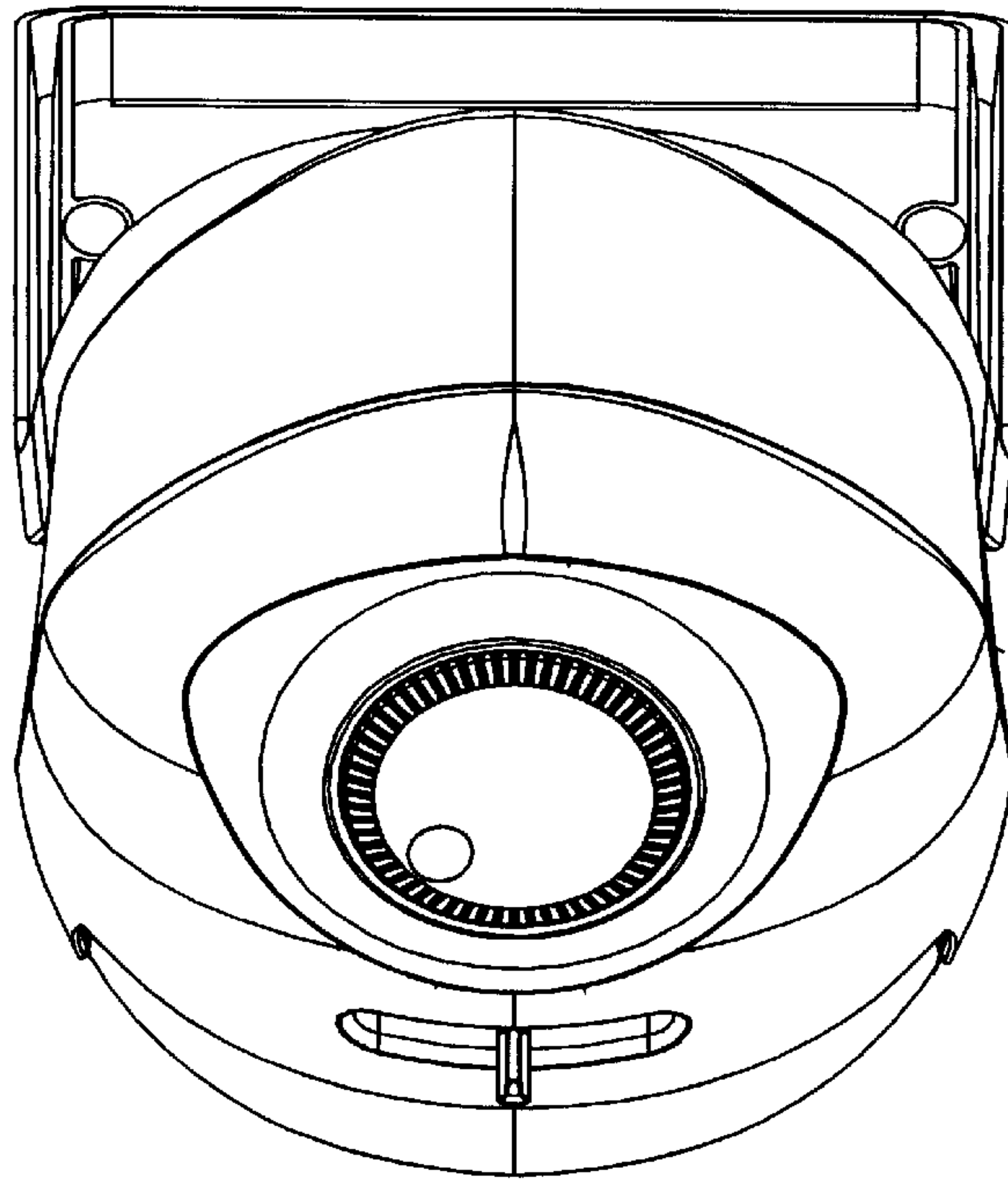


Fig. 6

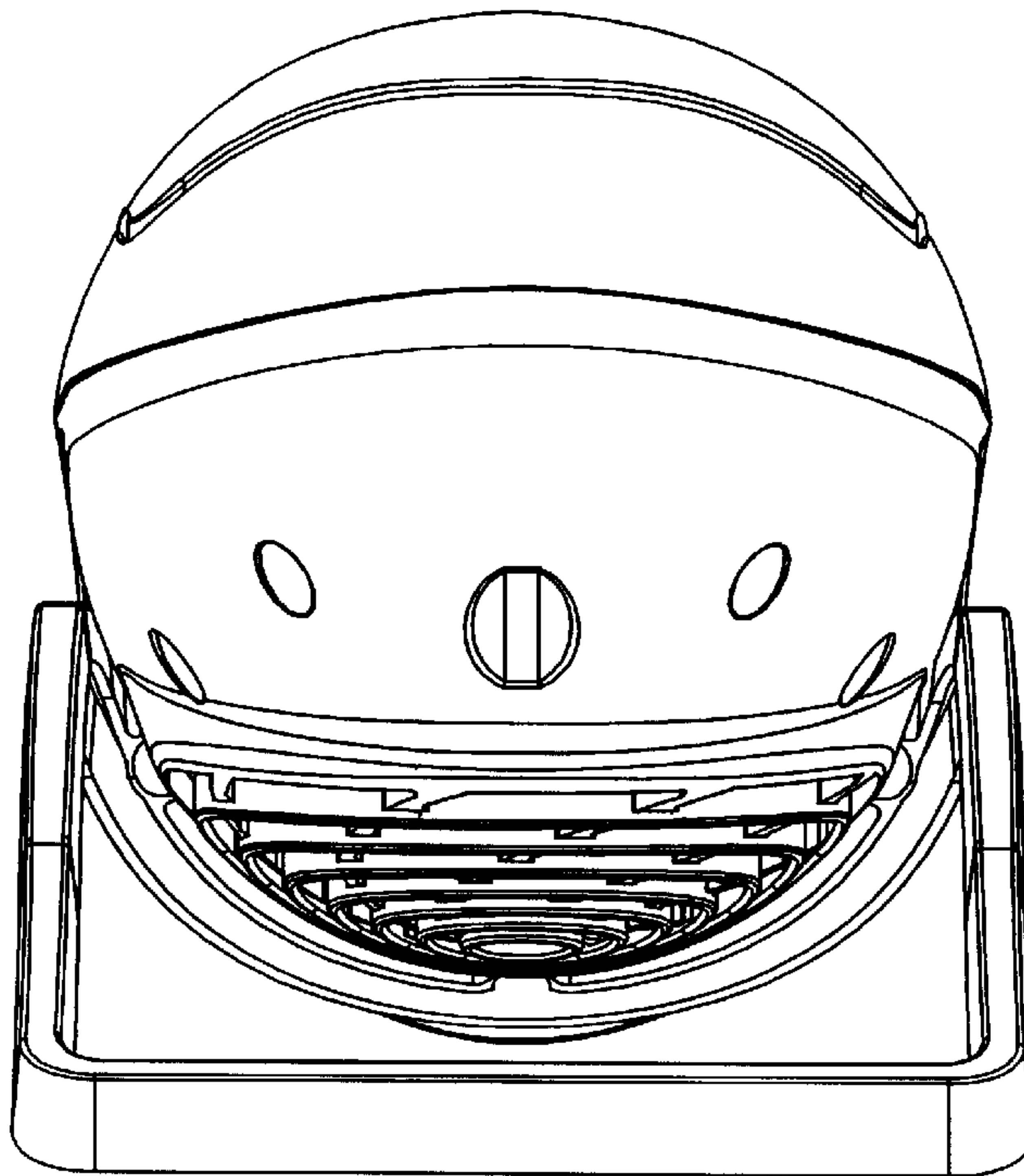


Fig. 7